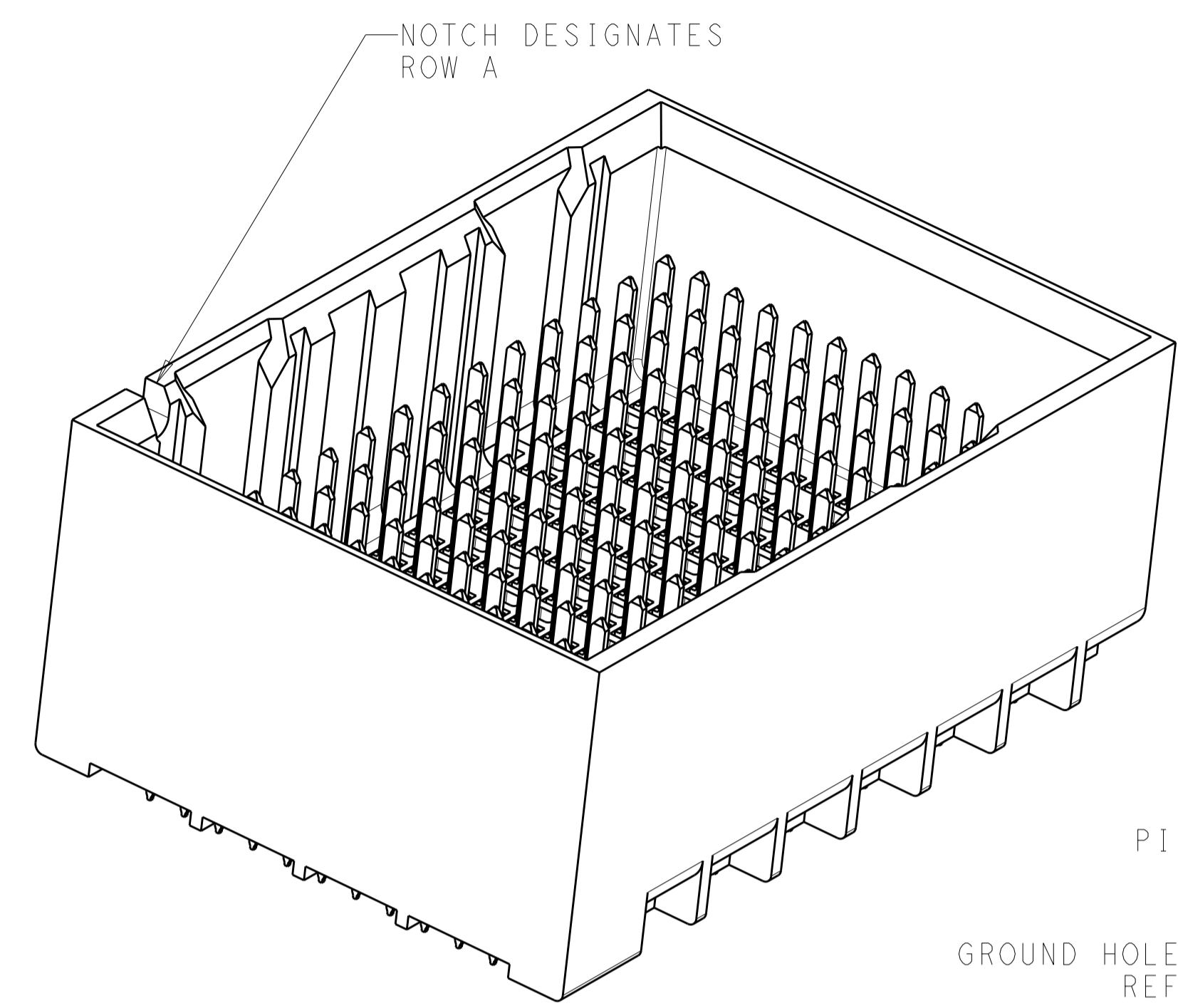
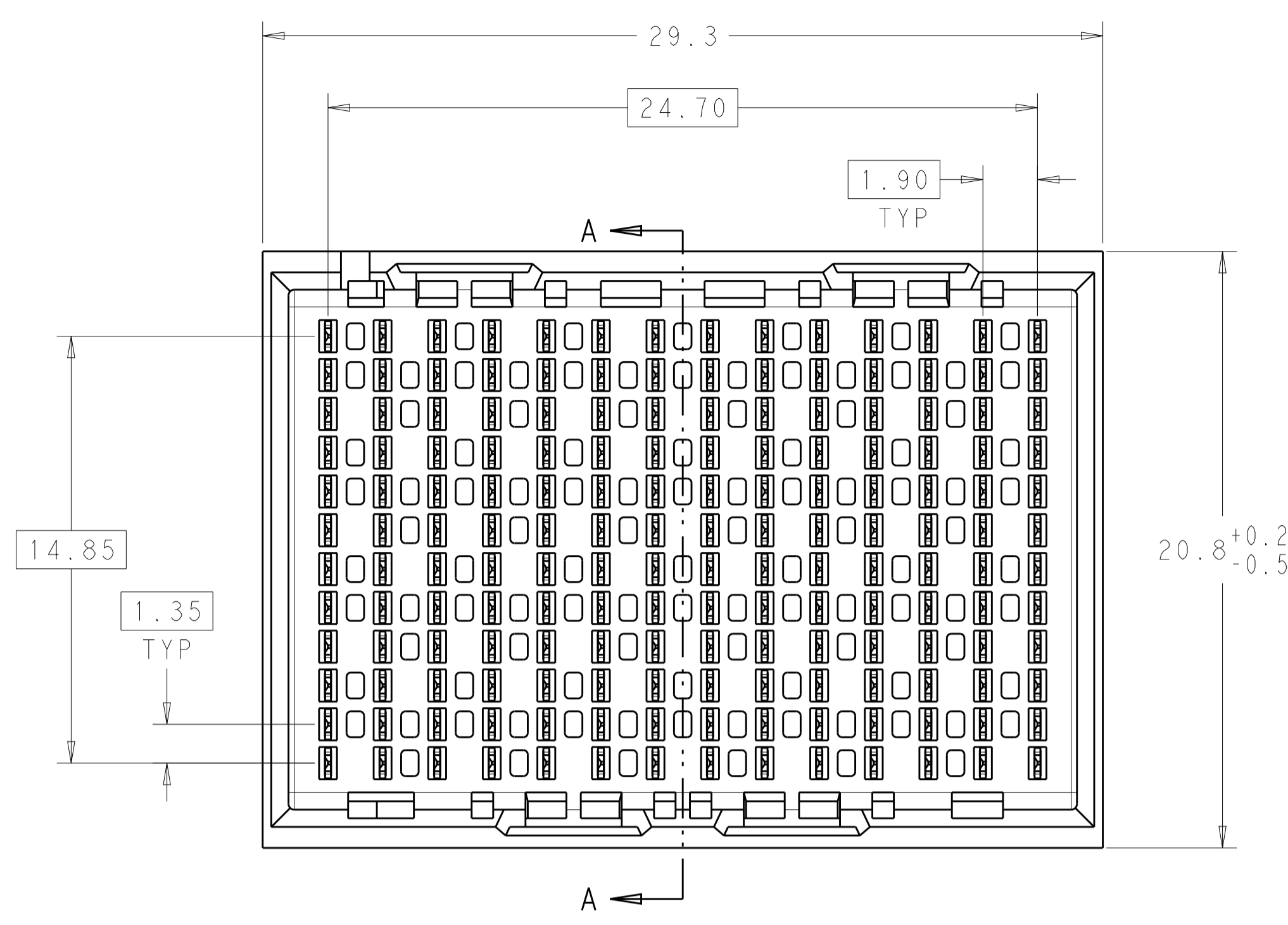
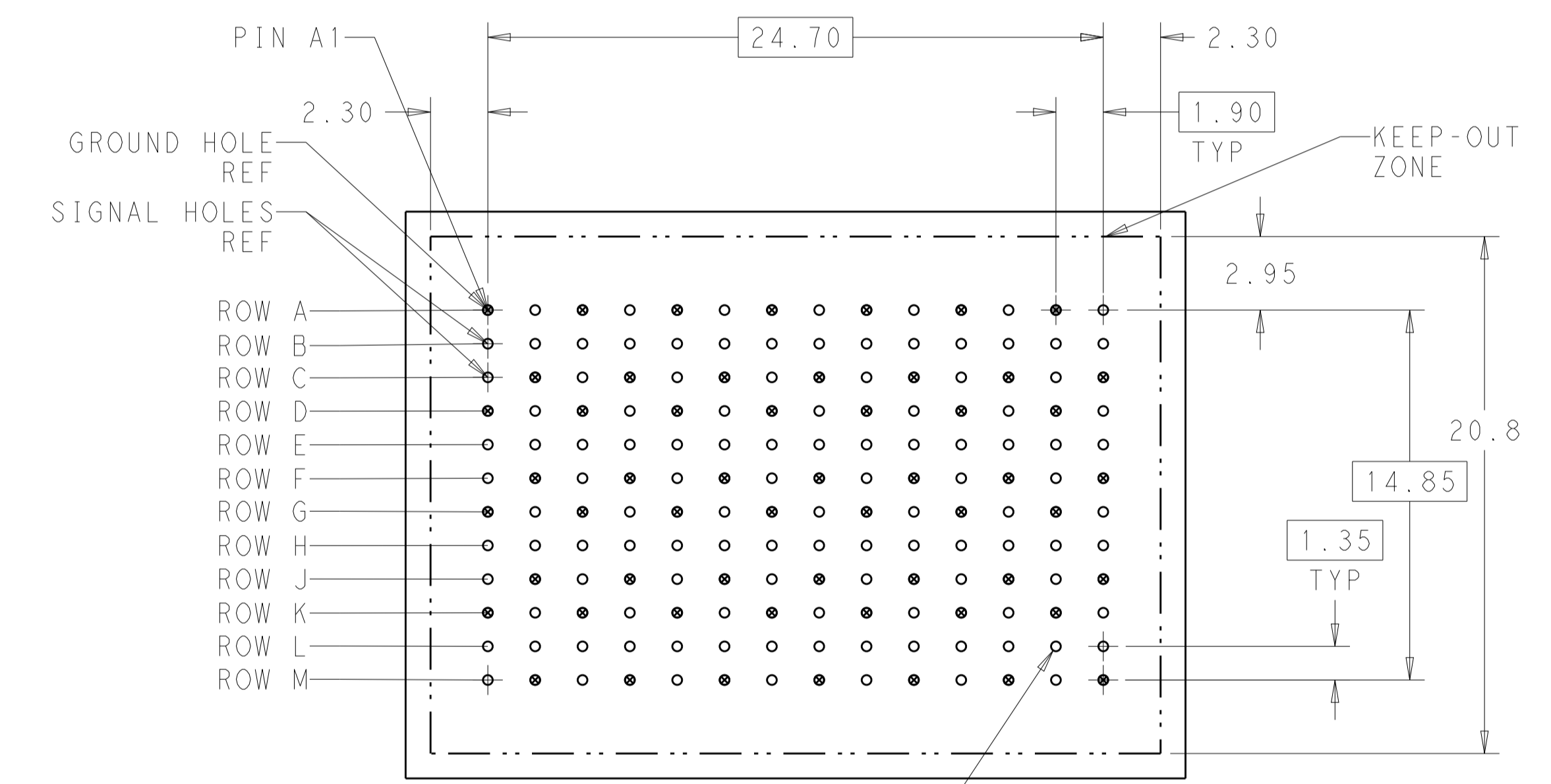


LOC		DIST		REVISIONS			
AD	00	P	LTN	DESCRIPTION	DATE	DWN	APVD
		A1		REVISED PER ECO-15-001494	07FEB2015	AP	DD



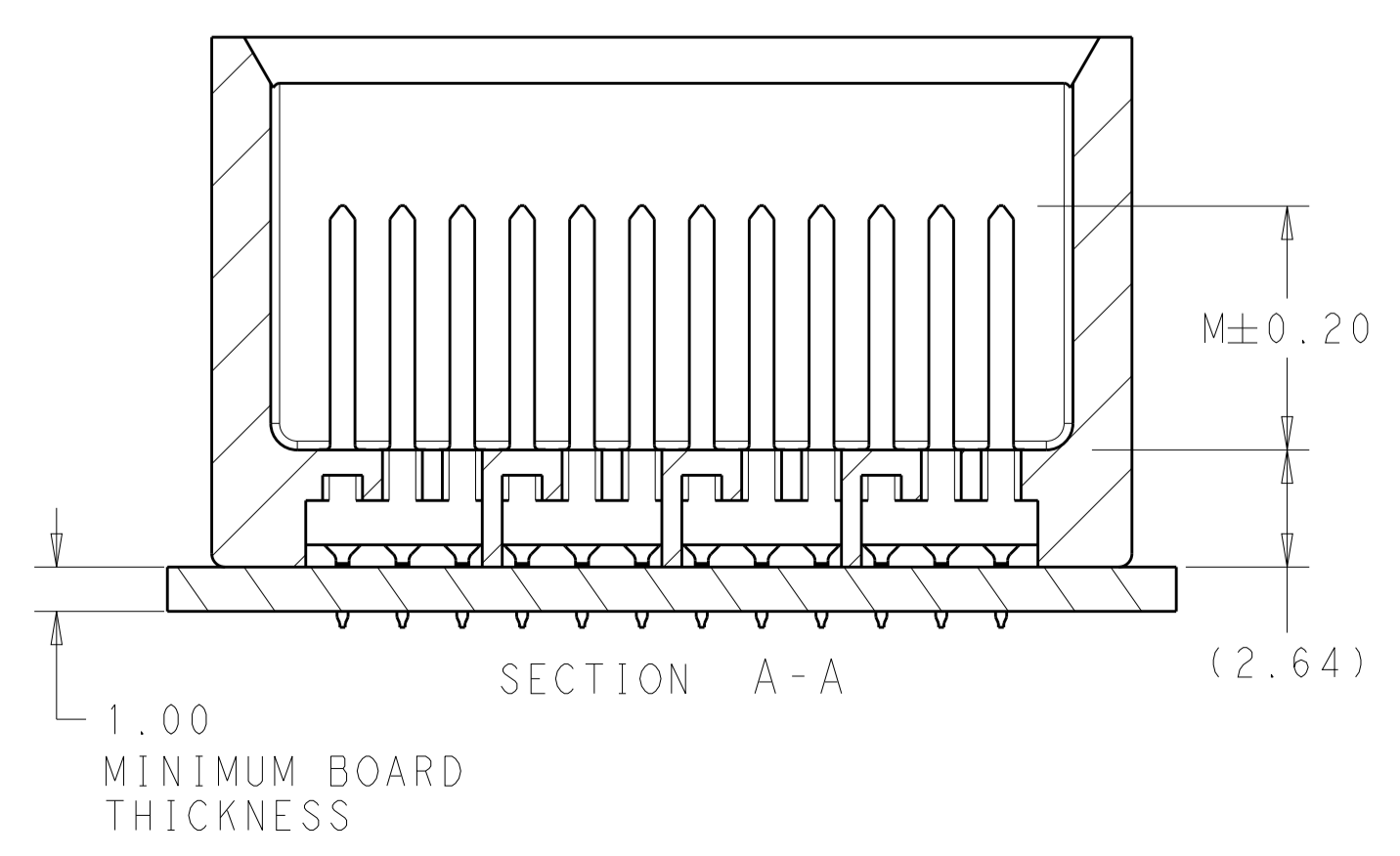
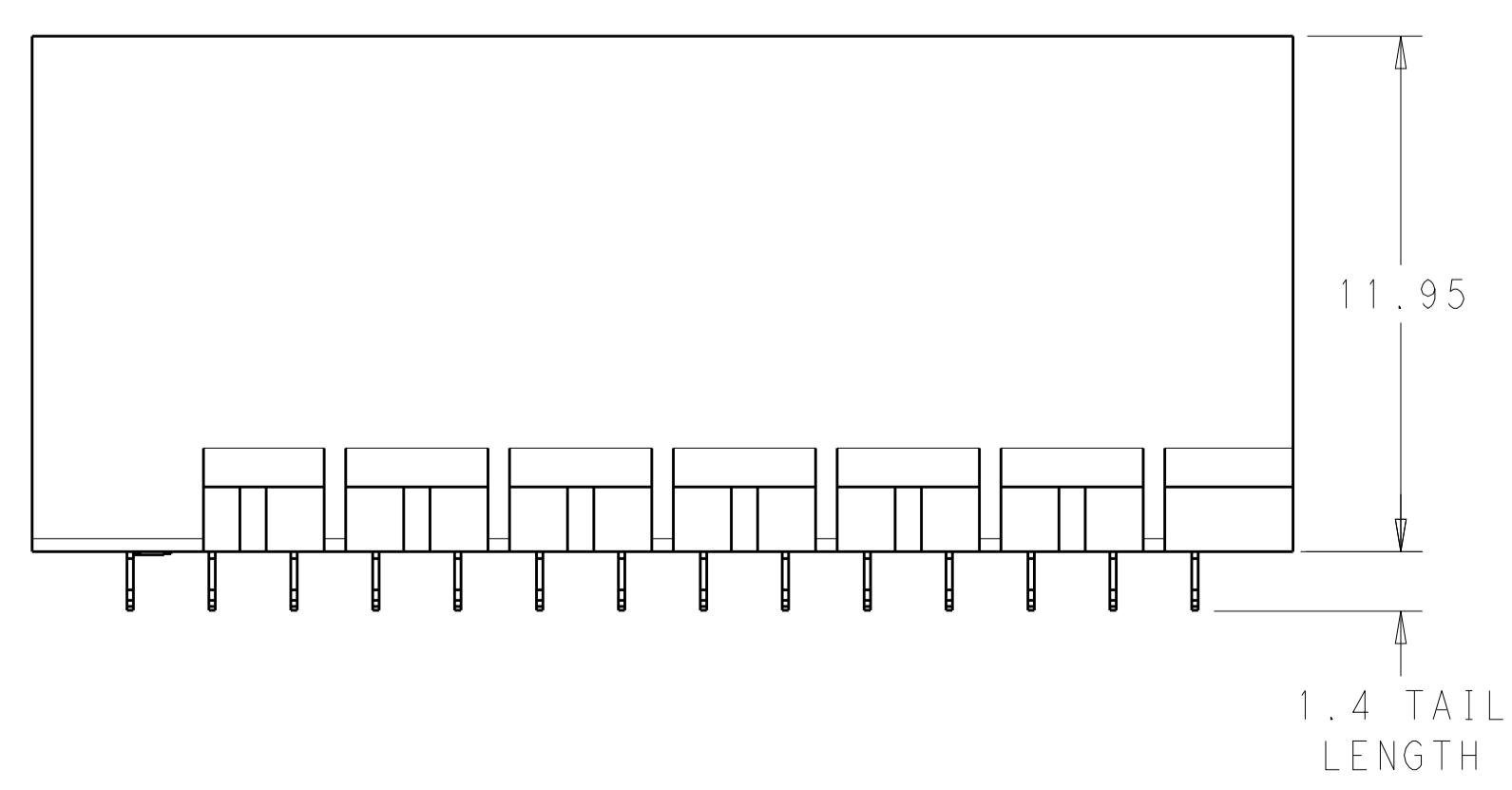
⚠ MATERIAL:  
 HOUSING: LCP, GLASS FILLED, UL94V-0.  
 TERMINALS: HIGH PERFORMANCE COPPER ALLOY.

⚠ FINISH:  
 30μ" MIN GOLD IN CONTACT AREA. SELECTIVE TIN  
 ON PCB TAILS, NICKEL OVERALL.



168X  $\varnothing 0.39 \pm 0.05$   
 $\varnothing 0.10$   
 PLATED THRU HOLE

UNGUIDED  
 BACKPLANE HOLE PATTERN  
 (CONNECTOR SIDE)



THIS DRAWING IS A CONTROLLED DOCUMENT.		DWN R. COELLO 27MAY2011	TE Connectivity
DIMENSIONS: mm		CHK J. EARY 27MAY2011	
TOLERANCES UNLESS OTHERWISE SPECIFIED:		APVD J. EARY 27MAY2011	NAME IMPACT, 4 PAIR, 14 COLUMN, HEADER UNGUIDED, DUAL END WALL SIGNAL MODULE, 0.39 PTH
0 PLC ± 1 PLC ±0.25 2 PLC ±0.13 3 PLC ± 4 PLC ± ANGLES ±		PRODUCT SPEC	SIZE A100779C=2169010
MATERIAL		APPLICATION SPEC	RESTRICTED TO
FINISH SEE TABLE		WEIGHT	SCALE 6:1 SHEET 1 OF 2 REV A1
		CUSTOMER DRAWING	

THIS DRAWING IS UNPUBLISHED. RELEASED FOR PUBLICATION 20  
 © COPYRIGHT 20 BY - ALL RIGHTS RESERVED.

LOC	DIST	REVISIONS					
		P	LTN	DESCRIPTION	DATE	DWN	APVD
AD	00	-		SEE SHEET 1	-	-	-

	5.5	2169010-3
	4.9	2169010-2
	4.5	2169010-1
FINISH	DIM M	PART NUMBER

REFER TO WWW.TE.COM  
FOR PRODUCT AVAILABILITY

THIS DRAWING IS A CONTROLLED DOCUMENT.		DWN R. COELLO 27MAY2011	
		CHK J. EARY 27MAY2011	
DIMENSIONS:		APVD J. EARY 27MAY2011	NAME IMPACT, 4 PAIR, 14 COLUMN, HEADER UNGUIDED, DUAL END WALL SIGNAL MODULE, 0.39 PTH
mm		PRODUCT SPEC	
TOLERANCES UNLESS OTHERWISE SPECIFIED:		APPLICATION SPEC	SIZE CAGE CODE DRAWING NO
0 PLC ±		WEIGHT	A100779C=2169010
1 PLC ±0.25		CUSTOMER DRAWING	RESTRICTED TO
2 PLC ±0.13		SCALE 5:1	SHEET 2 OF 2
3 PLC ±		REV A1	
4 PLC ±			
ANGLES			
FINISH SEE TABLE			