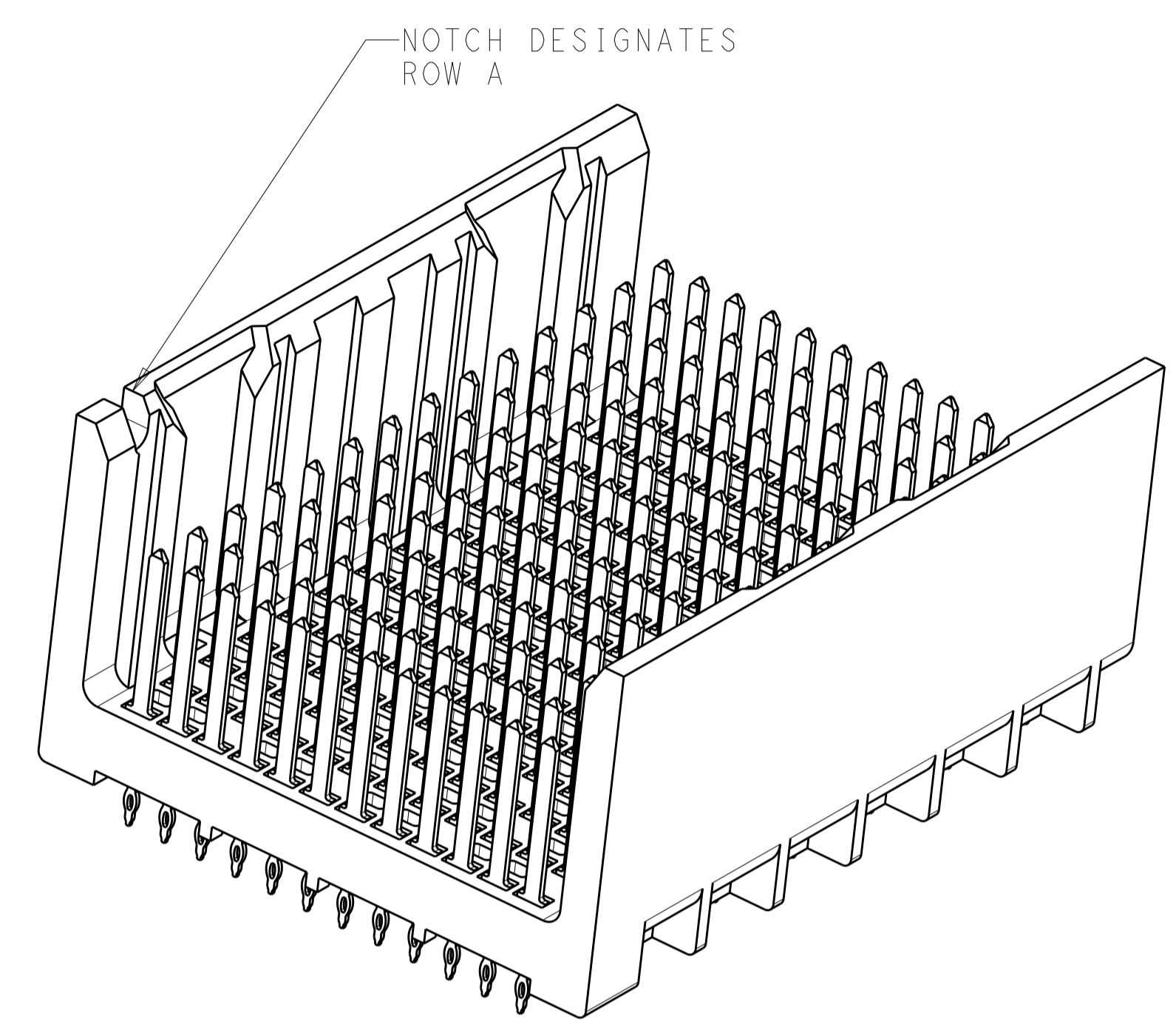
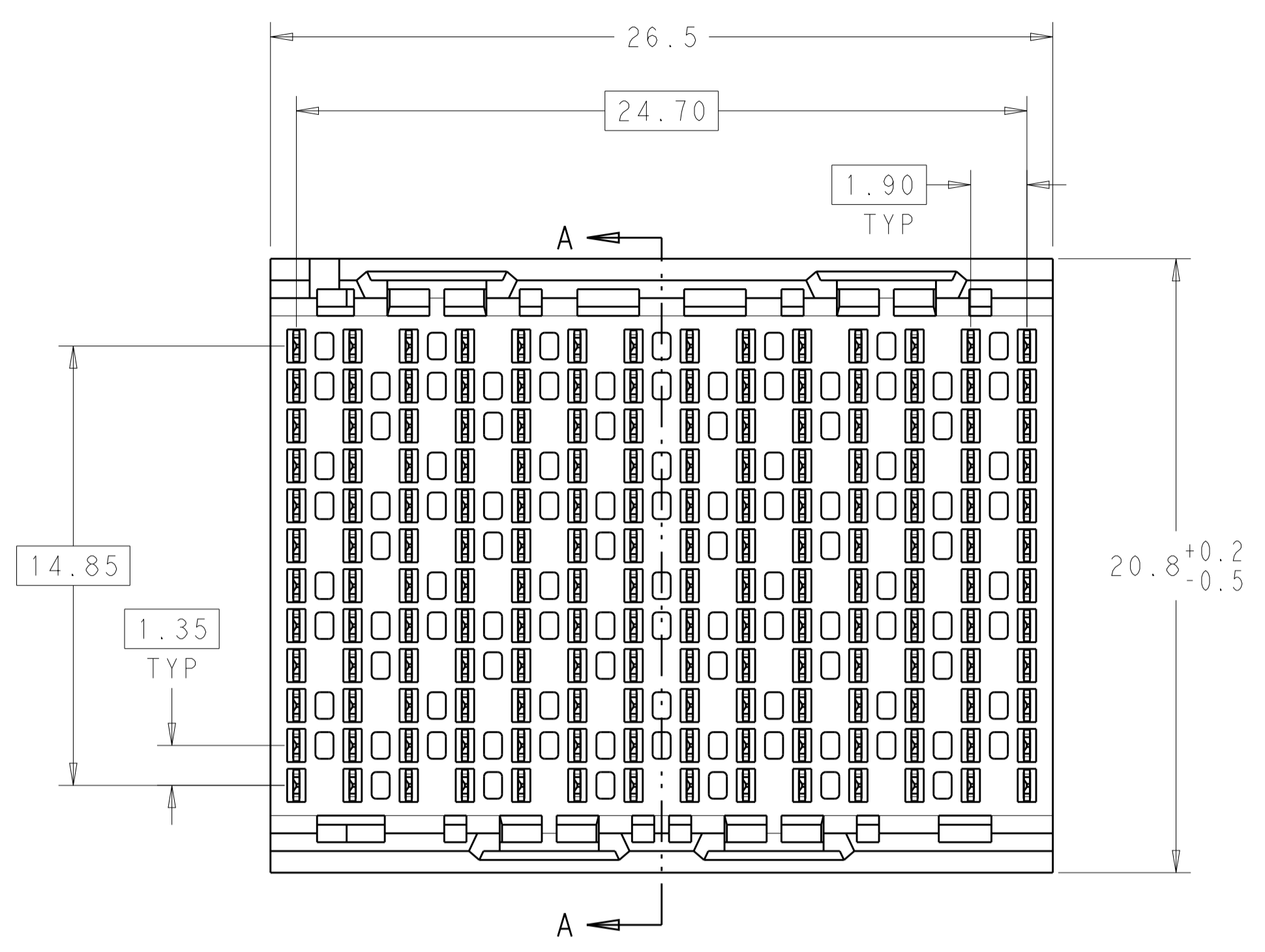
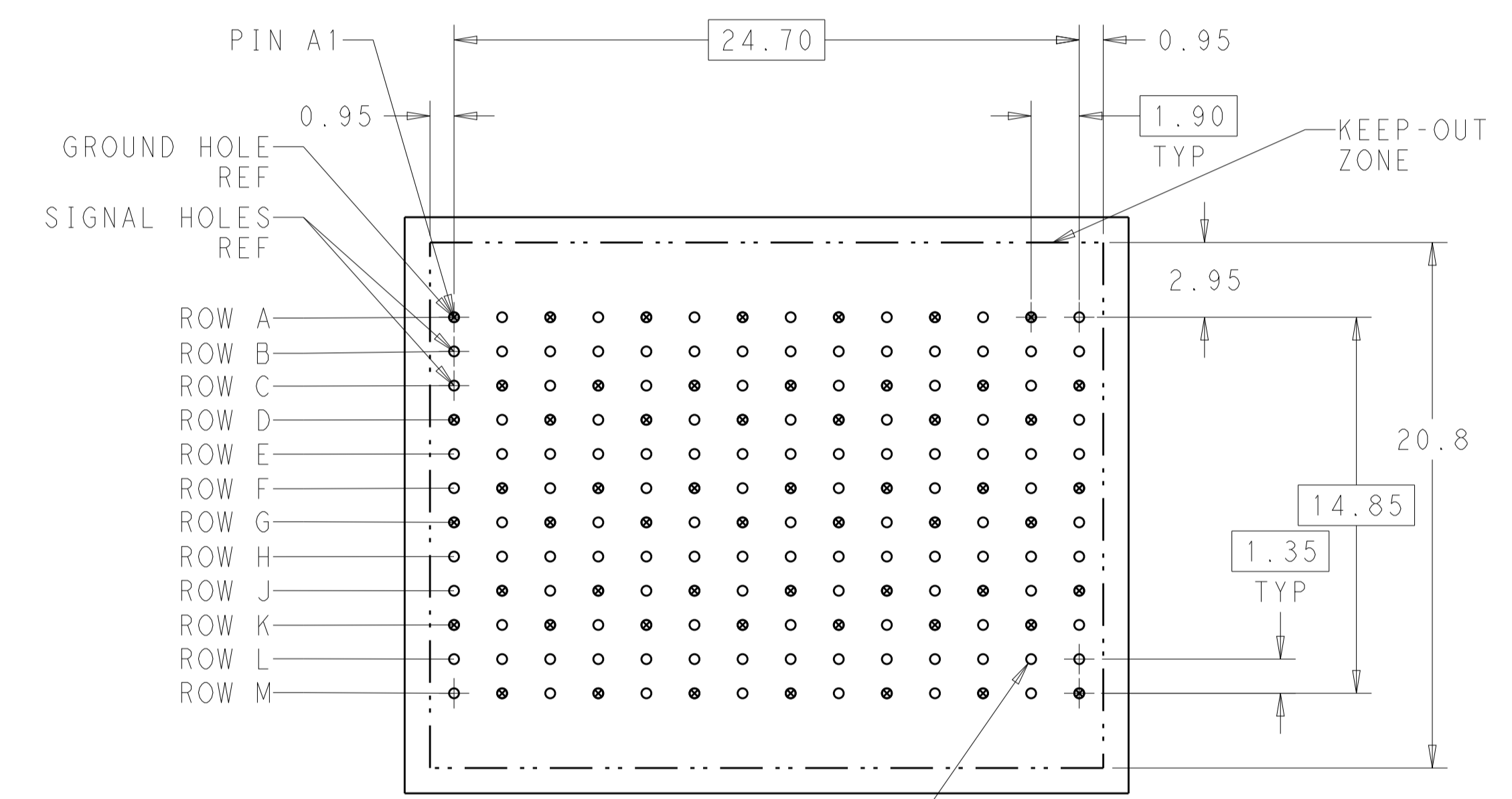


LOC		DIST		REVISIONS			
AD	00	P	LTN	DESCRIPTION	DATE	DWN	APVD
		A1		REVISED PER ECO-15-001494	07FEB2015	AP	DD



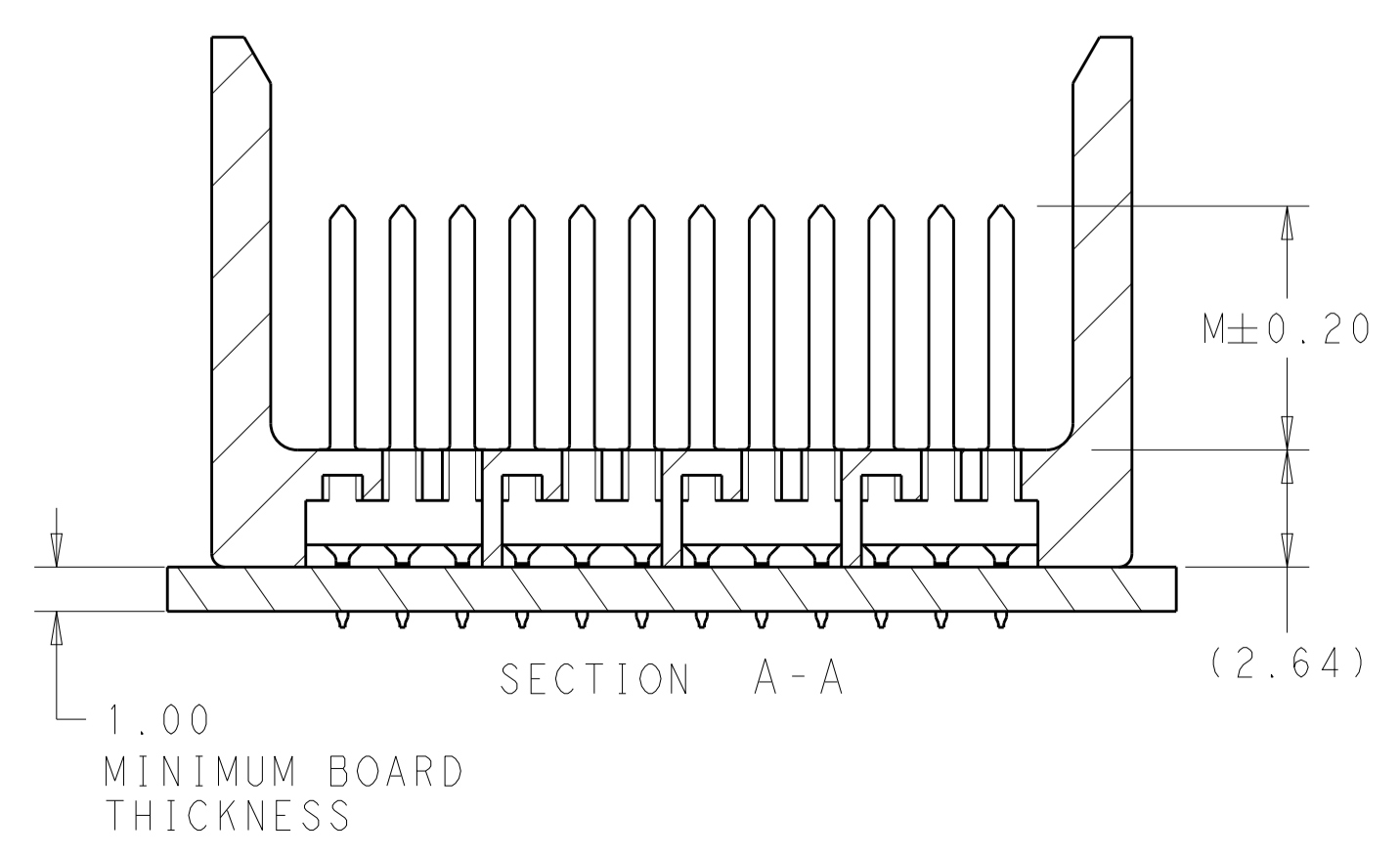
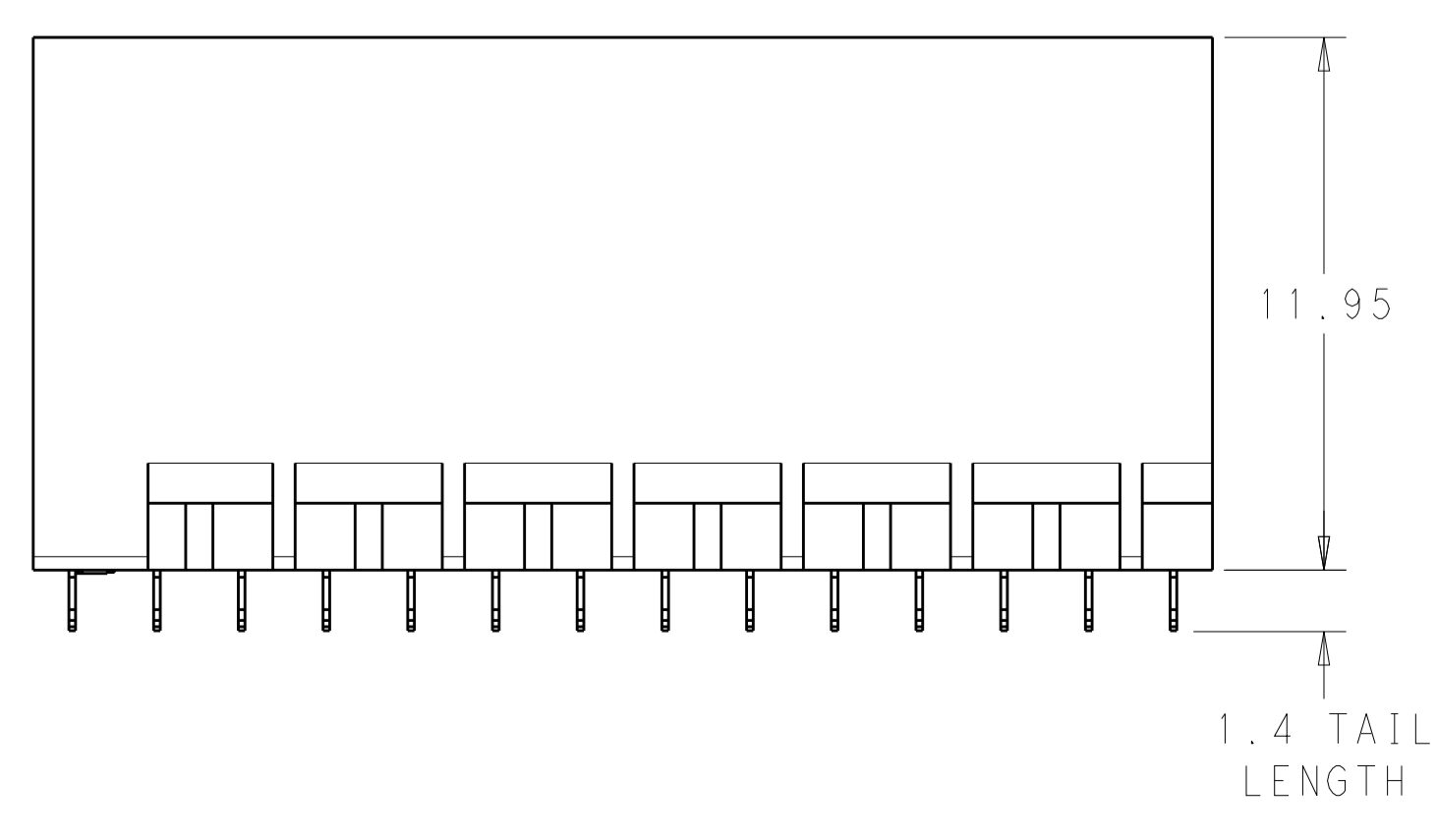
⚠ MATERIAL:
 HOUSING: LCP, GLASS FILLED, UL94V-0.
 TERMINALS: HIGH PERFORMANCE COPPER ALLOY.

⚠ FINISH:
 30μ" MIN GOLD IN CONTACT AREA. SELECTIVE TIN
 ON PCB TAILS, NICKEL OVERALL.



168X $\varnothing 0.39 \pm 0.05$
 $\varnothing 0.10$
 PLATED THRU HOLE

UNGUIDED
 BACKPLANE HOLE PATTERN
 (CONNECTOR SIDE)



THIS DRAWING IS A CONTROLLED DOCUMENT.		DWN R. COELLO 27MAY2011	TE Connectivity
DIMENSIONS:		CHK J. EARY 27MAY2011	
mm	TOLERANCES UNLESS OTHERWISE SPECIFIED:	APVD J. EARY 27MAY2011	NAME IMPACT, 4 PAIR, 14 COLUMN, HEADER
0 PLC ± 1 PLC ±0.25 2 PLC ±0.13 3 PLC ± 4 PLC ± ANGLES ±	PRODUCT SPEC APPLICATION SPEC	SIZE CAGE CODE DRAWING NO.	RESTRICTED TO
MATERIAL	FINISH SEE TABLE	WEIGHT	A100779C=2169008 CUSTOMER DRAWING
		SCALE 6:1	SHEET 1 OF 2 REV A1

THIS DRAWING IS UNPUBLISHED. RELEASED FOR PUBLICATION 20
 © COPYRIGHT 20 BY - ALL RIGHTS RESERVED.

LOC	DIST	REVISIONS					
		P	LTN	DESCRIPTION	DATE	DWN	APVD
AD	00	-		SEE SHEET 1	-	-	-

FINISH	DIM M	PART NUMBER
\triangle	5.5	2169008-3
\triangle	4.9	2169008-2
\triangle	4.5	2169008-1

REFER TO WWW.TE.COM
FOR PRODUCT AVAILABILITY

THIS DRAWING IS A CONTROLLED DOCUMENT.		DWN R. COELLO 27MAY2011	
		CHK J. EARY 27MAY2011	
DIMENSIONS: mm		APVD J. EARY 27MAY2011	NAME IMPACT, 4 PAIR, 14 COLUMN, HEADER UNGUIDED, OPEN END WALL SIGNAL MODULE, 0.39 PTH
TOLERANCES UNLESS OTHERWISE SPECIFIED: 0 PLC ± 1 PLC ±0.25 2 PLC ±0.13 3 PLC ± 4 PLC ± ANGLES ±		PRODUCT SPEC -	SIZE A100779C=2169008
MATERIAL -		APPLICATION SPEC -	RESTRICTED TO -
FINISH SEE TABLE		WEIGHT -	CUSTOMER DRAWING
		SCALE 5:1	SHEET 2 OF 2 REV A1