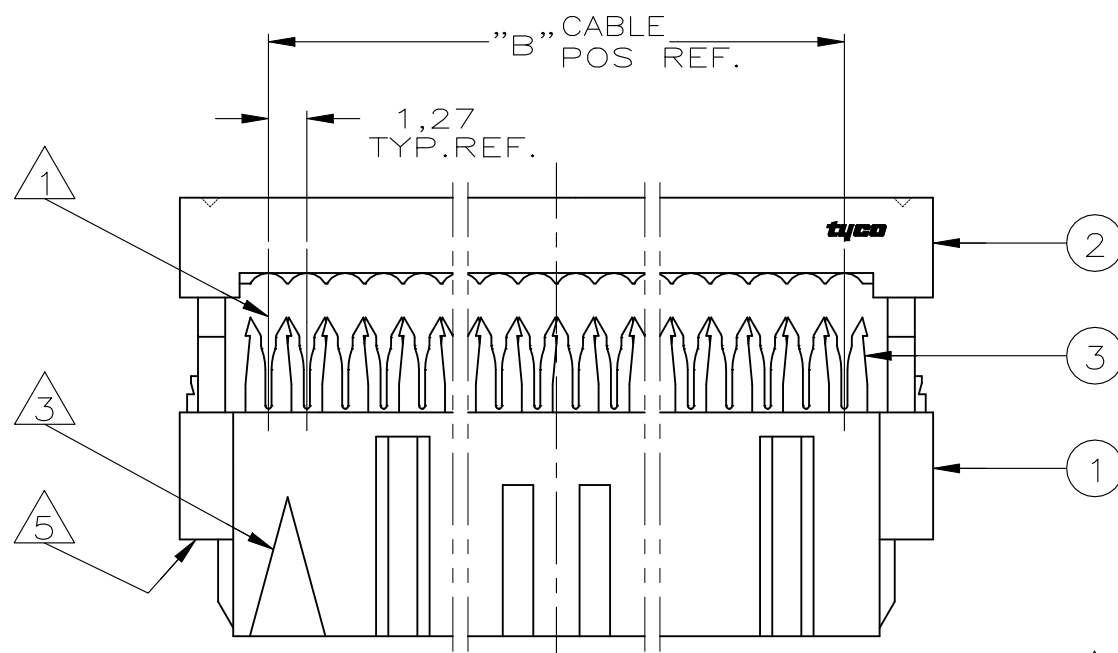
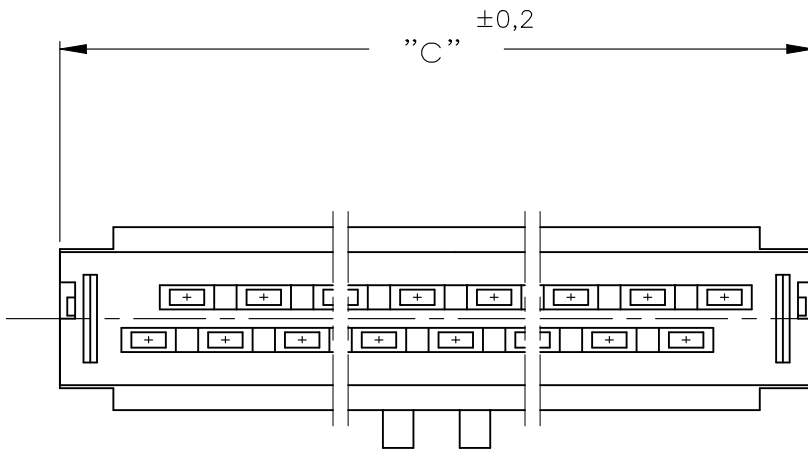


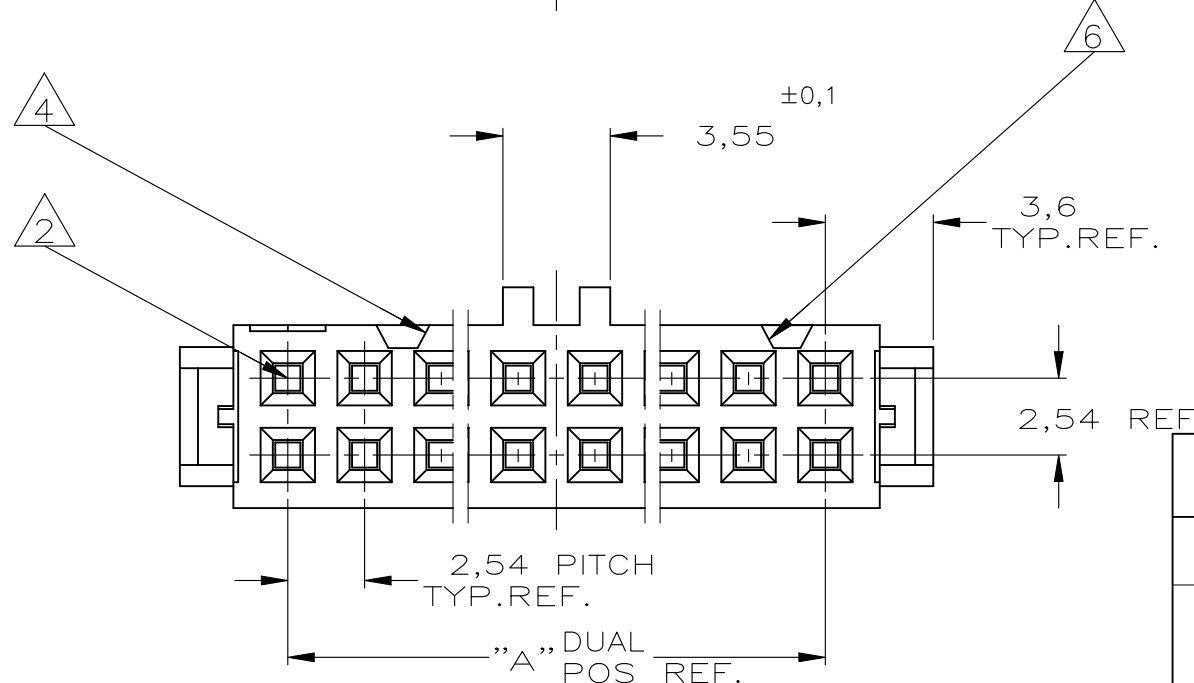
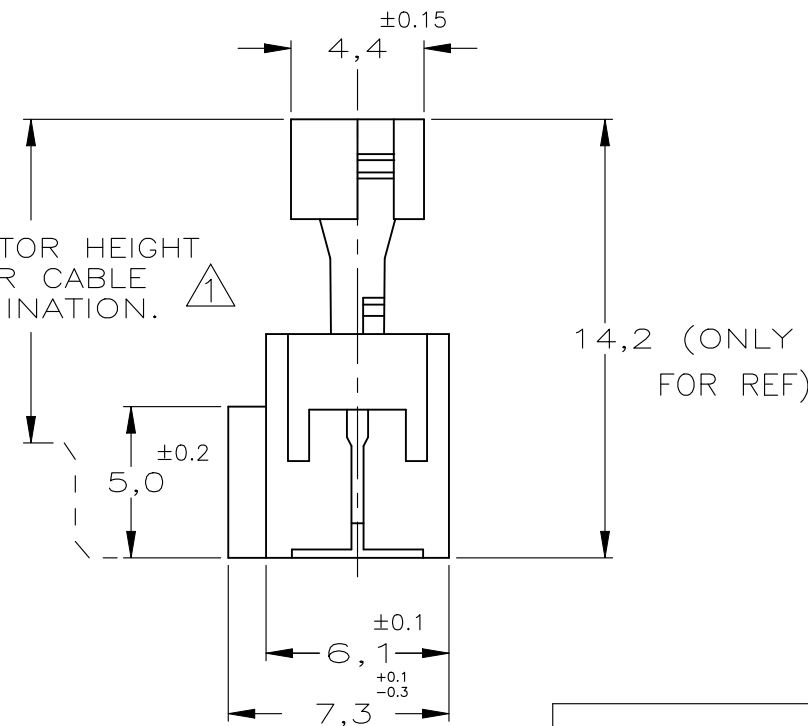
| P | LTR | DESCRIPTION | DATE | DWN | APVD |
|---|-----|---------------------------|-----------|-----|------|
| | F1 | REVISED PER ECR-21-115231 | 07JUN2023 | GC | WH |

NOTES:

- ① CONNECTOR IS DESIGNED FOR FLAT RIBBON CABLE ON 1,27 CENTERS . FOR CABLE REQUIREMENTS SEE AMP APPLICATION SPECIFICATION 114-19022.
- ② THESE RECEPTACLE CONNECTORS MATE WITH 0,64^{±0.05} mm SQUARE OR ROUND POSTS ON 2,54mm GRID.
- ③ MARK INDICATING FIRST CABLE POSITION REFERRING TO CONTACT POSITION.
- ④ THERE IS NO POLARIZATION-SLOT AT THIS END IN 6, 10 AND 14 POS CONNECTORS.
- ⑤ THESE CONNECTORS CAN BE USED IN CONJUNCTION WITH STRAIN-RELIEF COVERS OF PARTNR: 182762.
- ⑥ THERE IS NO POLARIZATION-SLOT AT THIS END IN 6 POS CONNECTORS.
- ⑦ PRODUCT SPECIFICATION 108-19033.
- ⑧ OBSOLETE PARTS: OBSOLETE CIS STREAMLINING PER D.RENAUD/D.SINISI




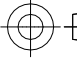
CONNECTOR HEIGHT AFTER CABLE TERMINATION. ①



| | | | | | |
|------------|----------------|---------------|------------|------------|---|
| ⑧ OBSOLETE | 85,9 | 64 | 32 | 6-215911-4 | D |
| | 80,8 | 60 | 30 | 6-215911-0 | D |
| | 68,1 | 50 | 25 | 5-215911-0 | D |
| | 60,5 | 44 | 22 | 4-215911-4 | D |
| | 55,4 | 40 | 20 | 4-215911-0 | D |
| | 47,8 | 34 | 17 | 3-215911-4 | D |
| | 42,7 | 30 | 15 | 3-215911-0 | D |
| | 37,6 | 26 | 13 | 2-215911-6 | D |
| | 30,0 | 20 | 10 | 2-215911-0 | D |
| | 24,9 | 16 | 8 | 1-215911-6 | D |
| 22,4 | 14 | 7 | 1-215911-4 | D | |
| 17,3 | 10 | 5 | 1-215911-0 | D | |
| OBSOLETE | 14,8 | 8 | 4 | 0-215911-8 | C |
| OBSOLETE | 12,2 | 6 | 3 | 0-215911-6 | D |
| OBSOLETE | 9,7 | 4 | 2 | 0-215911-4 | C |
| DIM. "C" | "B" CABLE POS. | "A" DUAL POS. | PARTNUMBER | PART REV. | |

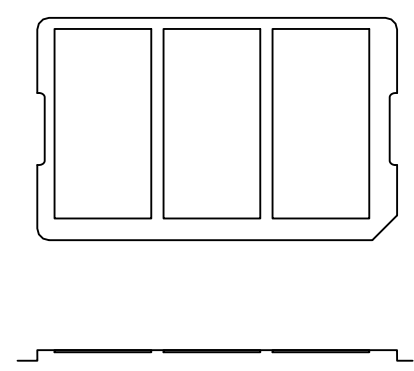
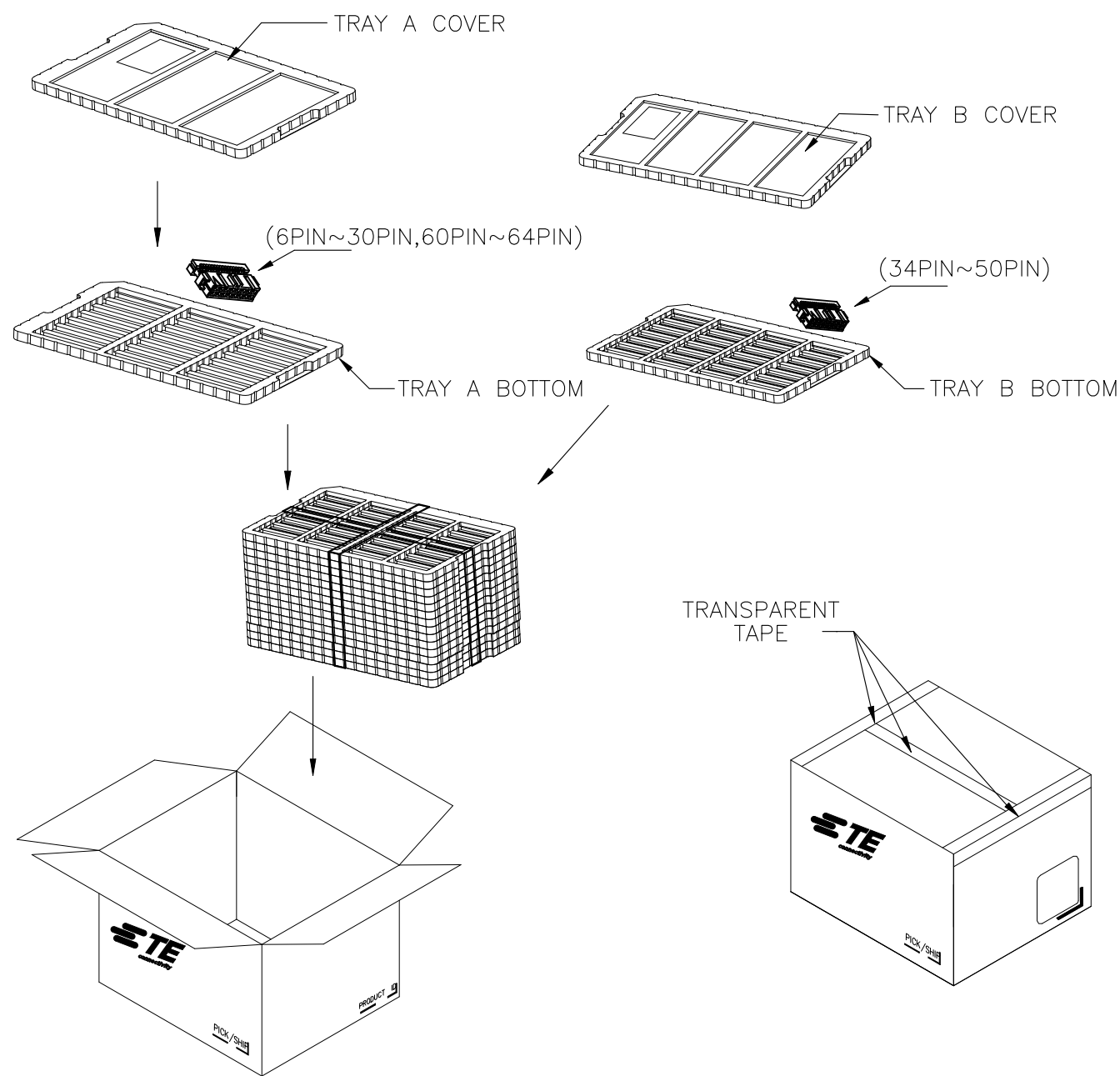
| | | |
|----------------------|---|--|
| ③ RECEPTACLE CONTACT | PHOSPHORBRONZE Cu Sn6 | AT CONTACT-PLACE: 0,2µmGOLD AT WIRING END: 2,5µmTIN ENTIRE UNDERCOATING: 1,27µmNICKEL |
| ② COVER | THERMOPLASTIC POLYESTER UL 94 -V0 | BLACK BK015 (ONLY FOR REF.) |
| ① HOUSING | | |
| COMPONENT NAME | MATERIAL | PLATING / COLOUR |

THIS DRAWING IS A CONTROLLED DOCUMENT.

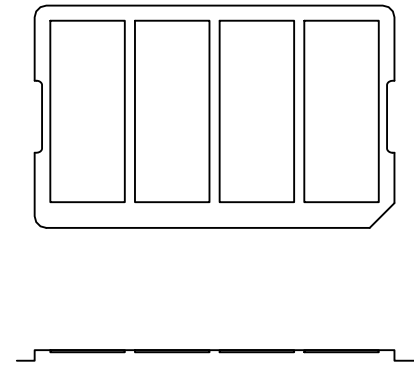
| | | | |
|---|--|----------------------------------|--|
| DIMENSIONS: mm | TOLERANCES UNLESS OTHERWISE SPECIFIED: | DWN W.R.VERBEET 04FEB1988 |  TE Connectivity Ltd. |
|  | 0 PLC ± - | CHK R.VERSTIJNEN 05FEB1988 | |
| | 1 PLC ± - | APVD L.V.SOEST 05FEB1988 | |
| | 2 PLC ± - | NAME | |
| MATERIAL SEE TABLE | FINISH SEE TABLE | PRODUCT SPEC - | AMP-LATCH_MIL-TYPE RECEPTACLE_CONNECTOR ASSEMBLY_(SYMMETRIC_COVER) |
| | | APPLICATION SPEC - | SIZE A3 |
| | | WEIGHT - | CAGE CODE 00779 |
| | | | DRAWING NO C-215911 |
| | | | RESTRICTED TO - |
| CUSTOMER DRAWING | | | SCALE 4:1 SHEET 1 OF 2 REV F1 |

| REVISIONS | | | | | |
|-----------|-----|-------------|------|-----|------|
| P | LTR | DESCRIPTION | DATE | DWN | APVD |
| - | - | SEE SHEET 1 | - | - | - |

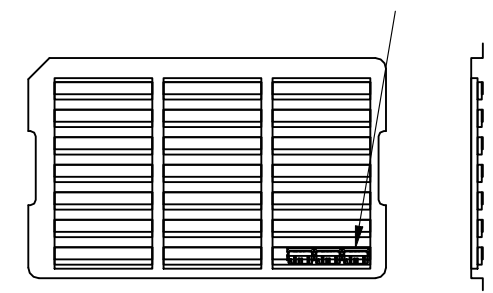
PACKAGING SPECIFICATION



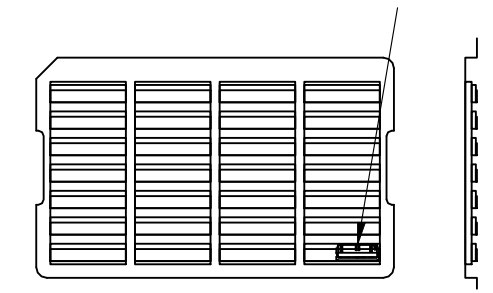
TRAY A COVER



TRAY B COVER



TRAY A BOTTOM



TRAY B BOTTOM

SHOWN AS 1-215911-6

SHOWN AS 4-215911-0

| | | | | | |
|--|--|---------------------|-----------|--|--|
| THIS DRAWING IS A CONTROLLED DOCUMENT. | | DWN W.R.VERBEET. | 04FEB1988 | STE TE Connectivity Ltd. | |
| DIMENSIONS: mm | | CHK R.VERSTIJNEN | 05FEB1988 | | |
| TOLERANCES UNLESS OTHERWISE SPECIFIED: | | APVD L.V.SOEST | 05FEB1988 | NAME AMP-LATCH_MIL-TYPE RECEPTACLE_CONNECTOR ASSEMBLY_(SYMMETRIC_COVER) | |
| 0 PLC ± - | | PRODUCT SPEC | | SIZE A3 | |
| 1 PLC ± - | | APPLICATION SPEC | | CAGE CODE 00779 | |
| 2 PLC ± - | | WEIGHT | | DRAWING NO C-215911 | |
| 3 PLC ± - | | CUSTOMER DRAWING | | RESTRICTED TO | |
| 4 PLC ± - | | SCALE | | SHEET | |
| ANGLES ± - | | - | | 2 OF 2 | |
| FINISH | | - | | REV F1 | |