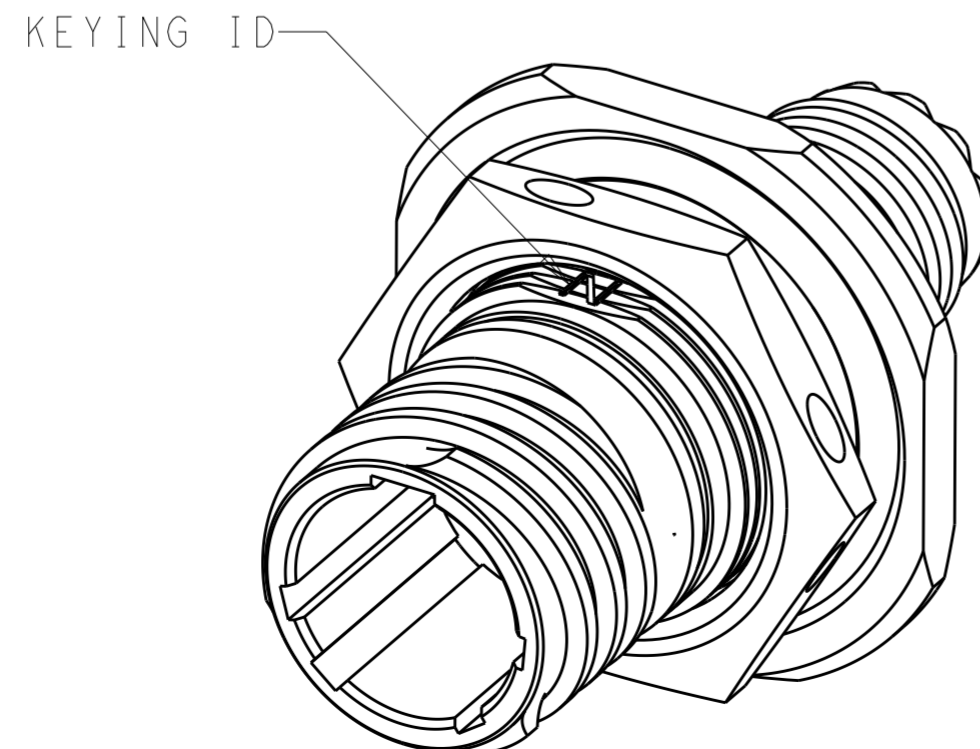
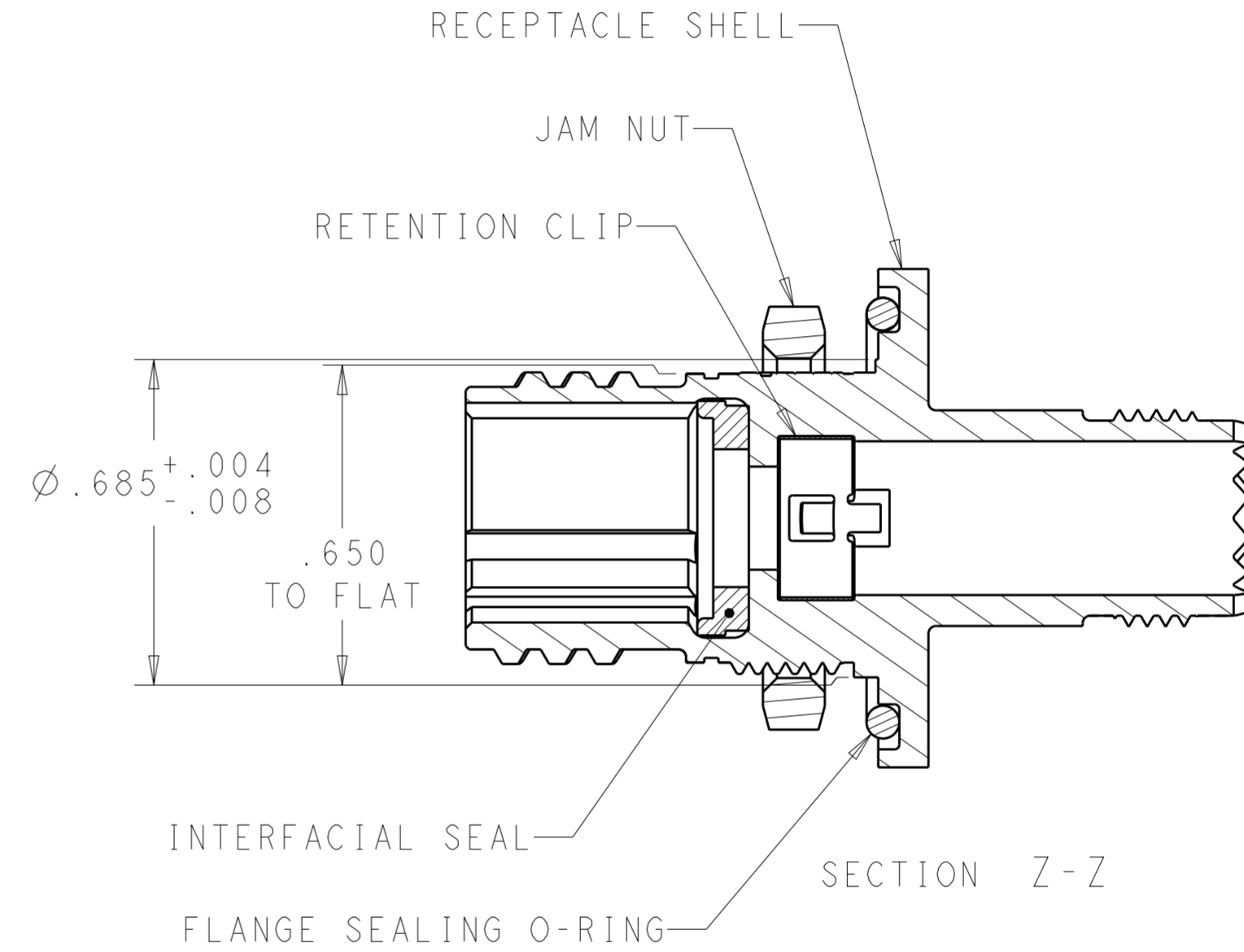
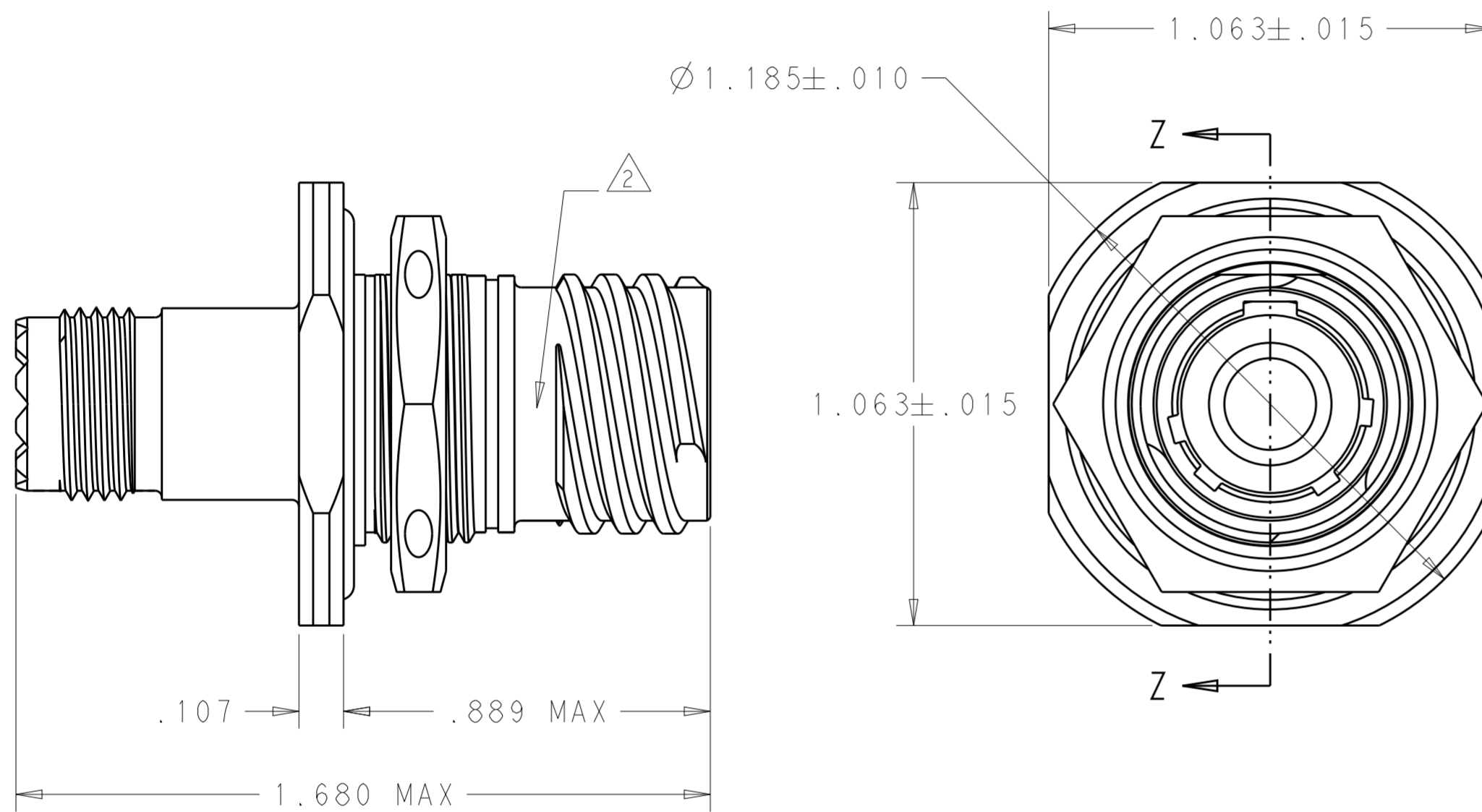


| P | LTR | DESCRIPTION | DATE | DWN | APVD |
|---|-----|-----------------------|---------|-----|------|
| | D | REV PER ECO 20-005188 | 4-20-20 | CT | DM |

1 MATERIAL AND FINISH:
 CONNECTOR SHELL: 6061-T6 ALUMINUM - SEE TABLE FOR PLATING
 QUADRAX RETENTION CLIP: SILVER PLATED STAINLESS STEEL
 JAM NUT: 6061-T6 ALUMINUM - SEE TABLE FOR PLATING
 FLANGE SEALING O-RING: VITON RUBBER
 INTERFACIAL SEAL: SILICONE RUBBER

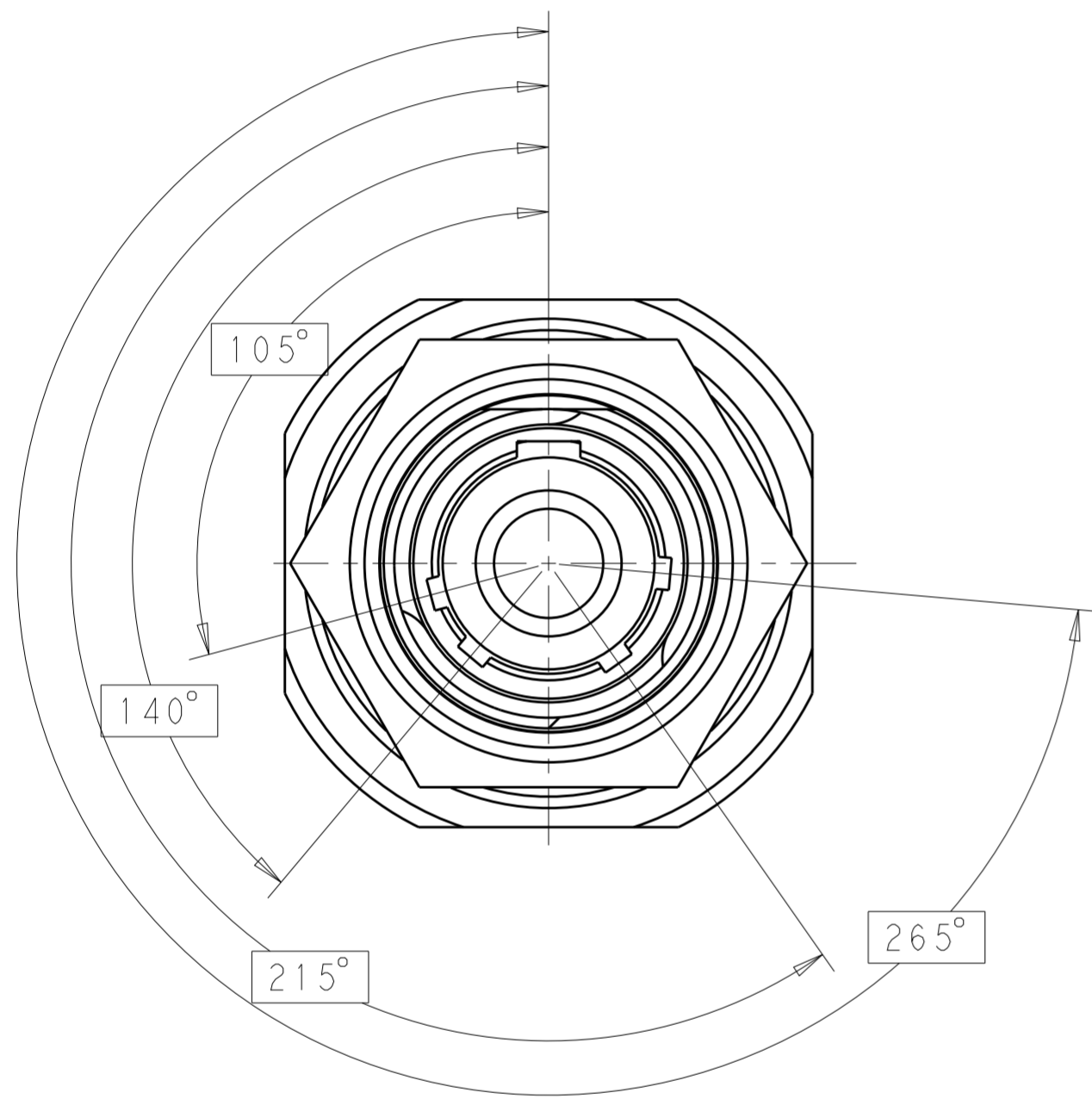
2 PART IS MARKED WITH TE CONNECTIVITY PART NUMBER (SEE TABLE),
 TE, TE CAGE CODE (00779) AND DATE CODE.



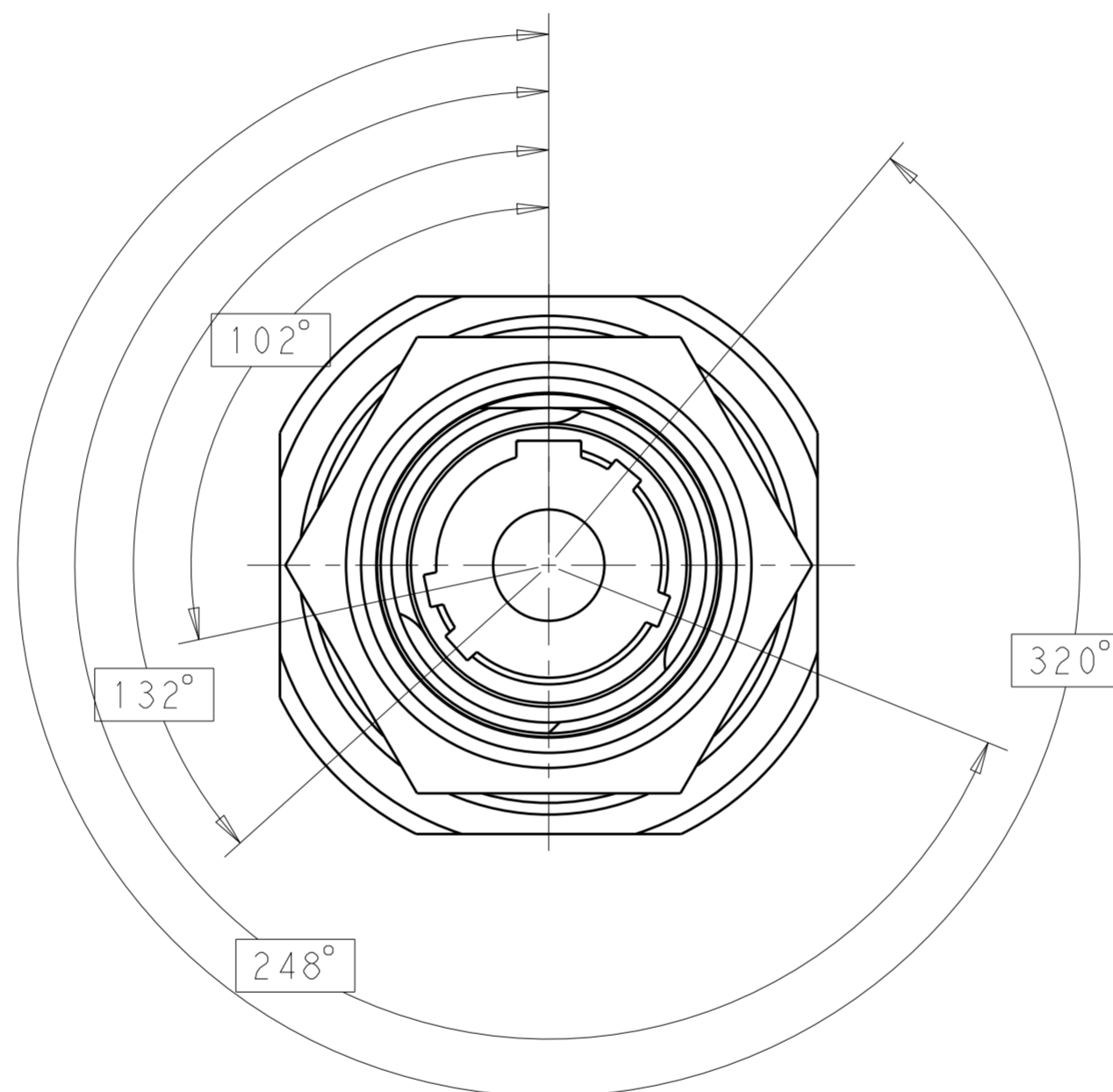
| | | |
|------------|-----------------|-------------|
| OLIVE DRAB | "B" KEY | 2157694-6 |
| OLIVE DRAB | "A" KEY | 2157694-5 |
| OLIVE DRAB | "N" KEY | 2157694-4 |
| NICKEL | "B" KEY | 2157694-3 |
| NICKEL | "A" KEY | 2157694-2 |
| NICKEL | "N" KEY | 2157694-1 |
| FINISH | 38999 KEYING | PART NUMBER |

| | | | | |
|--|-------------|-----------------------------------|---|---------------|
| THIS DRAWING IS A CONTROLLED DOCUMENT. | | DWN K. GLATFELTER 06OCT2011 | STE TE Connectivity | |
| DIMENSIONS: INCHES | | CHK D. MILLER 06OCT2011 | | |
| TOLERANCES UNLESS OTHERWISE SPECIFIED: | | APVD D. MILLER 06OCT2011 | NAME RECEPTACLE, 38999 SERIES III, SIZE 9, JAM NUT STYLE, SINGLE QUADRAX | |
| 0 PLC ± | 1 PLC ± | PRODUCT SPEC | SIZE | CAGE CODE |
| 2 PLC ± | 3 PLC ±.005 | APPLICATION SPEC | A2 | 00779 |
| 4 PLC ± | ANGLES ± | WEIGHT | DRAWING NO | RESTRICTED TO |
| FINISH | | CUSTOMER DRAWING | G-2157694 | |
| SCALE 3:1 | | SHEET 1 OF 2 | | REV D |

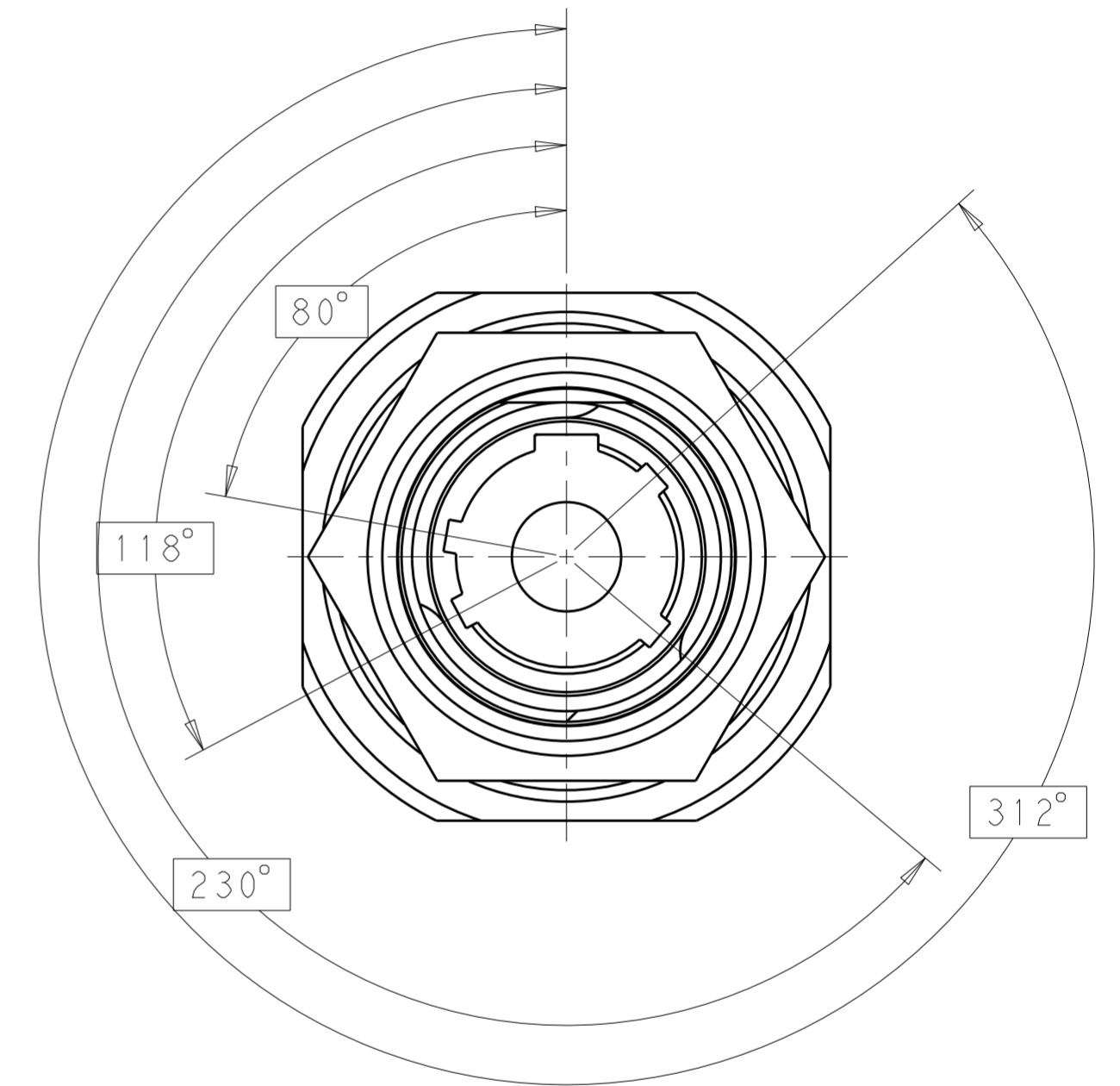
| P | LTR | DESCRIPTION | DATE | DWN | APVD |
|---|-----|-------------|------|-----|------|
| - | | SEE SHEET 1 | - | - | - |
| | | | | | |
| | | | | | |




"N" 38999 KEYING



"A" 38999 KEYING



"B" 38999 KEYING

| | | | |
|--|---------------|-----------------------------------|---|
| THIS DRAWING IS A CONTROLLED DOCUMENT. | | DWN K. GLATFELTER 06OCT2011 |  TE Connectivity |
| DIMENSIONS: INCHES | | CHK D. MILLER 06OCT2011 | |
| TOLERANCES UNLESS OTHERWISE SPECIFIED: | | APVD D. MILLER 06OCT2011 | NAME RECEPTACLE, 38999 SERIES III, SIZE 9, JAM NUT STYLE, SINGLE QUADRAX |
| 0 PLC ± | 1 PLC ± | PRODUCT SPEC | SIZE |
| 2 PLC ± | 3 PLC ± | APPLICATION SPEC | CAGE CODE |
| 4 PLC ± | ANGLES ± | WEIGHT | DRAWING NO |
| FINISH | FINISH | | RESTRICTED TO |
| MATERIAL material_2 | finish_spec_2 | CUSTOMER DRAWING | A200779C-2157694 |
| | | SCALE 3:1 | SHEET 2 OF 2 |
| | | | REV D |