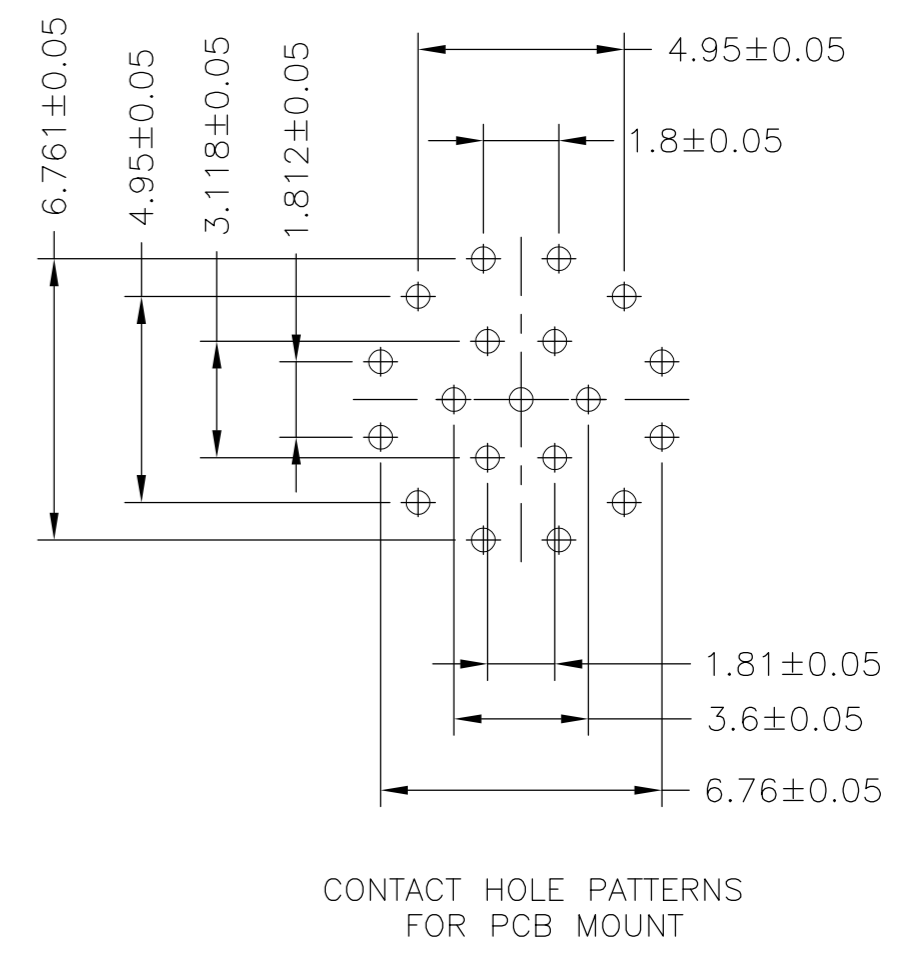
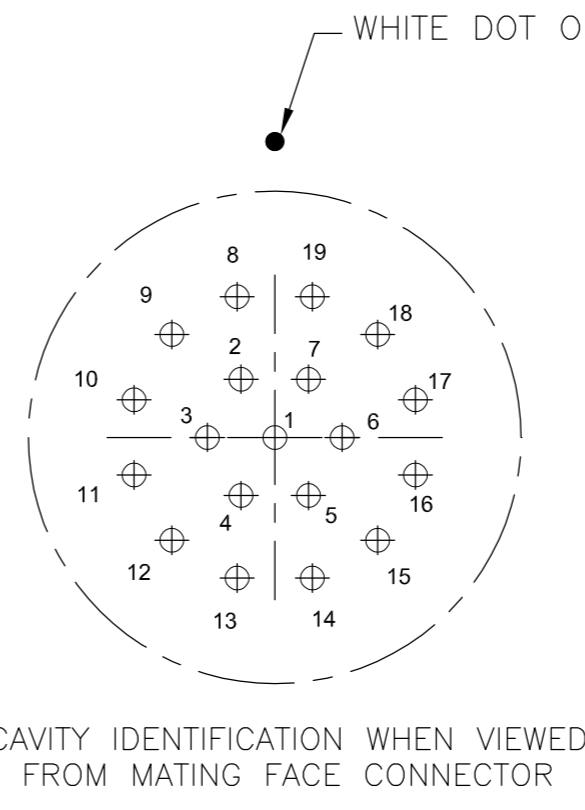
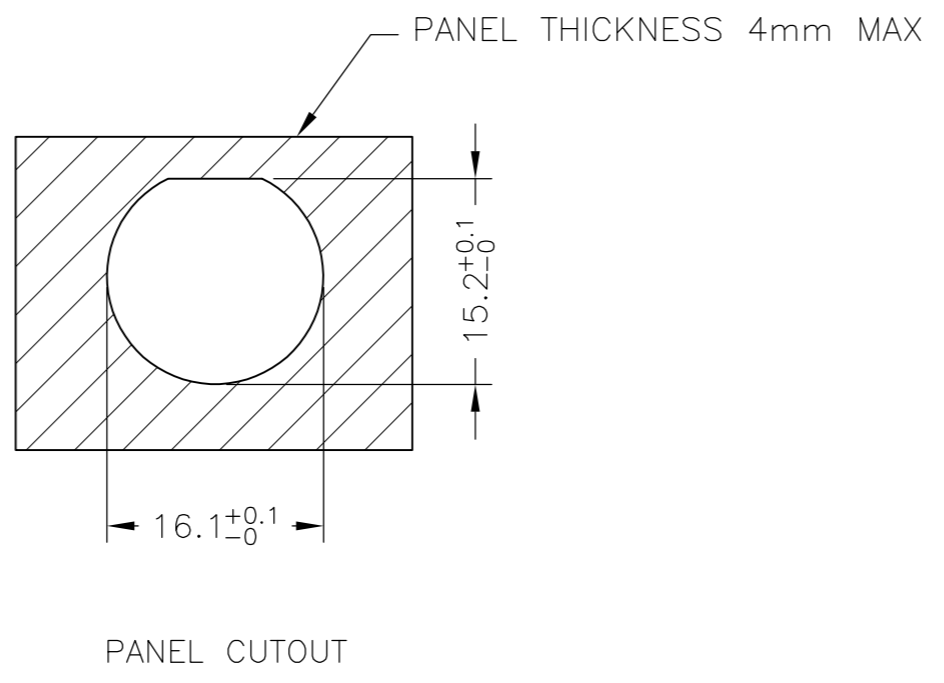
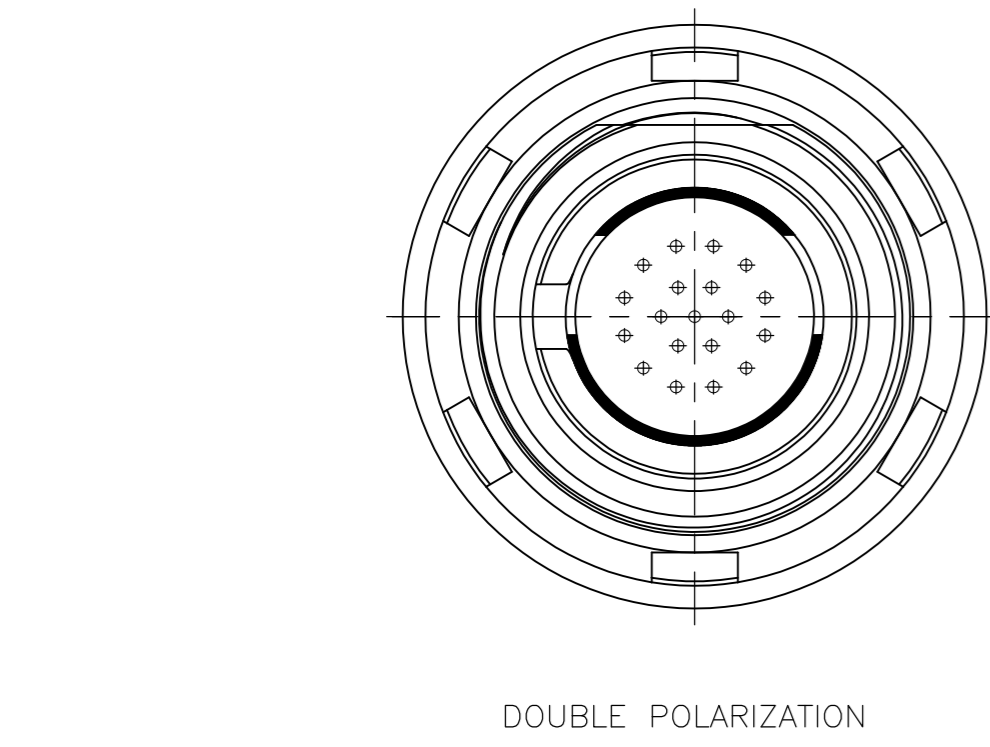
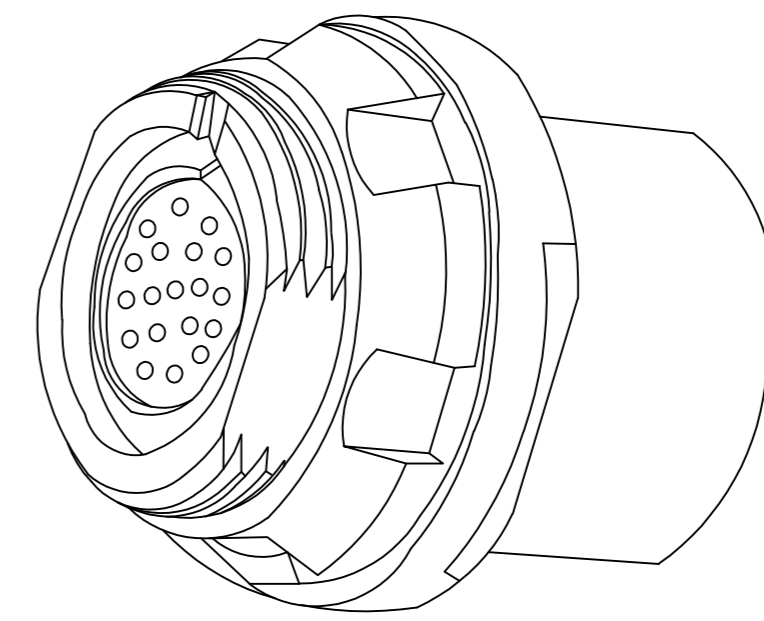
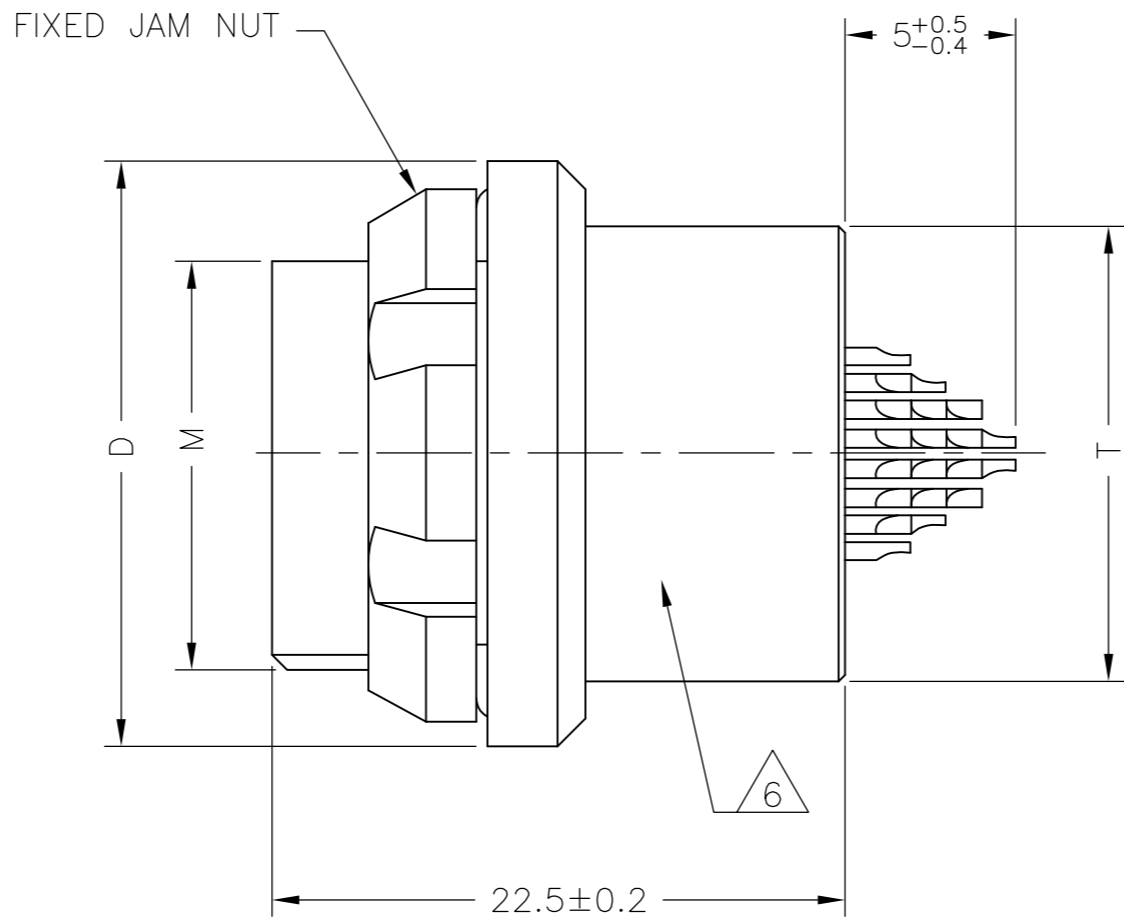
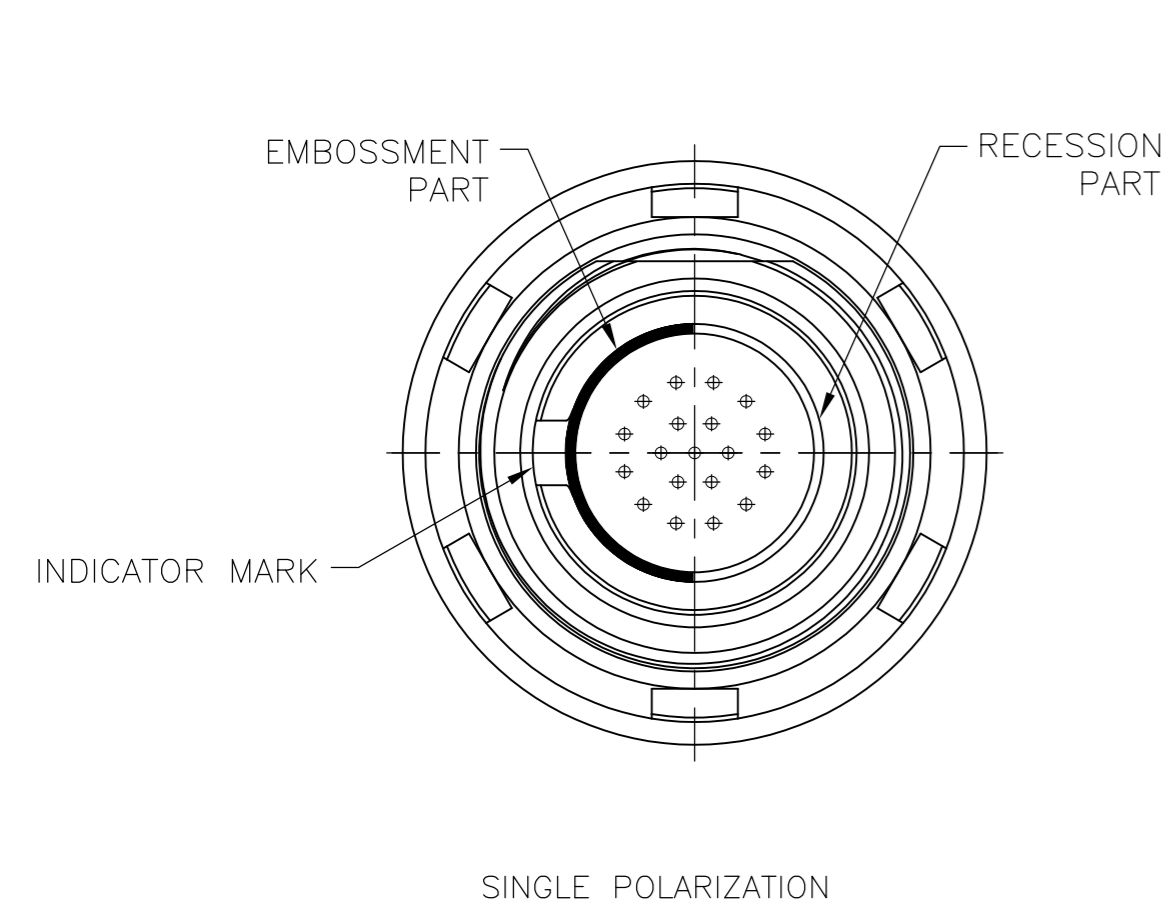


THIS DRAWING IS UNPUBLISHED. RELEASED FOR PUBLICATION
 © COPYRIGHT - By - ALL RIGHTS RESERVED.

LOC		DIST		REVISIONS			
P	LTR	DESCRIPTION		DATE	DWN	APVD	
C		REVISED PER ECO 13-001843.		05FEB2013	MGM	CT	



- DWV RATING: 725VAC @ SEA LEVEL
- WORKING TEMPERATURE: -55°C ~ +125°C

3 MATERIAL: CONTACT : COPPER ALLOY
 SHELL : COPPER ALLOY
 INSULATOR : PEEK
 O RING : SILICON RUBBER

4 FINISH: CONTACT: GOLD OVER NICKEL
 SHELL : BLACK CHROMIUM

- WATER PROOF: 1M IMMERSION

PART IS MARKED WITH THE TE PART NUMBER, CHINA, DATE CODE, AND LOT ID

- MAX WIRE SIZE - 24AWG

8 ALL TOLERANCES TO BE ±0.20MM UNLESS NOTED.

CHROMIUM-BLACK	DOUBLE	SOLDERING	ø15	M16X1	ø22	4	2157343-2
CHROMIUM-BLACK	SINGLE	SOLDERING	ø15	M16X1	ø22	4	2157343-1
FINISH	POLARIZATION	TERMINATION	T	THREAD	D	SHELL SZ	TE CONNECTIVITY PART NUMBER

THIS DRAWING IS A CONTROLLED DOCUMENT.		DWN C.C THOMAS 06APR2012	<p>TE Connectivity</p> <p>CIRCULAR HD RECEPTACLE WITH SOCKET, CONTACTS, JAM NUT, FRONT MOUNTING, SOLDER CUP 19 POS.</p>																											
DIMENSIONS: mm		CHK R. GROSS 06APR2012																												
TOLERANCES UNLESS OTHERWISE SPECIFIED:		APVD R. GROSS 06APR2012																												
<table border="1"> <tr><td>0 PLC</td><td>±</td><td>-</td><td>8</td></tr> <tr><td>1 PLC</td><td>±</td><td>-</td><td>-</td></tr> <tr><td>2 PLC</td><td>±</td><td>0.20</td><td>-</td></tr> <tr><td>3 PLC</td><td>±</td><td>-</td><td>-</td></tr> <tr><td>4 PLC</td><td>±</td><td>-</td><td>-</td></tr> <tr><td>ANGLES</td><td>±</td><td>3°</td><td>-</td></tr> <tr><td>FINISH</td><td>-</td><td>4</td><td>-</td></tr> </table>		0 PLC		±	-	8	1 PLC	±	-	-	2 PLC	±	0.20	-	3 PLC	±	-	-	4 PLC	±	-	-	ANGLES	±	3°	-	FINISH	-	4	-
0 PLC	±	-	8																											
1 PLC	±	-	-																											
2 PLC	±	0.20	-																											
3 PLC	±	-	-																											
4 PLC	±	-	-																											
ANGLES	±	3°	-																											
FINISH	-	4	-																											
MATERIAL -	FINISH -	PRODUCT SPEC APPLICATION SPEC	SIZE A2																											
CUSTOMER DRAWING		WEIGHT -	CAGE CODE 00779																											
		SCALE NTS	DRAWING NO C=2157343																											
		SHEET 1 of 1	RESTRICTED TO -																											
		REV C																												