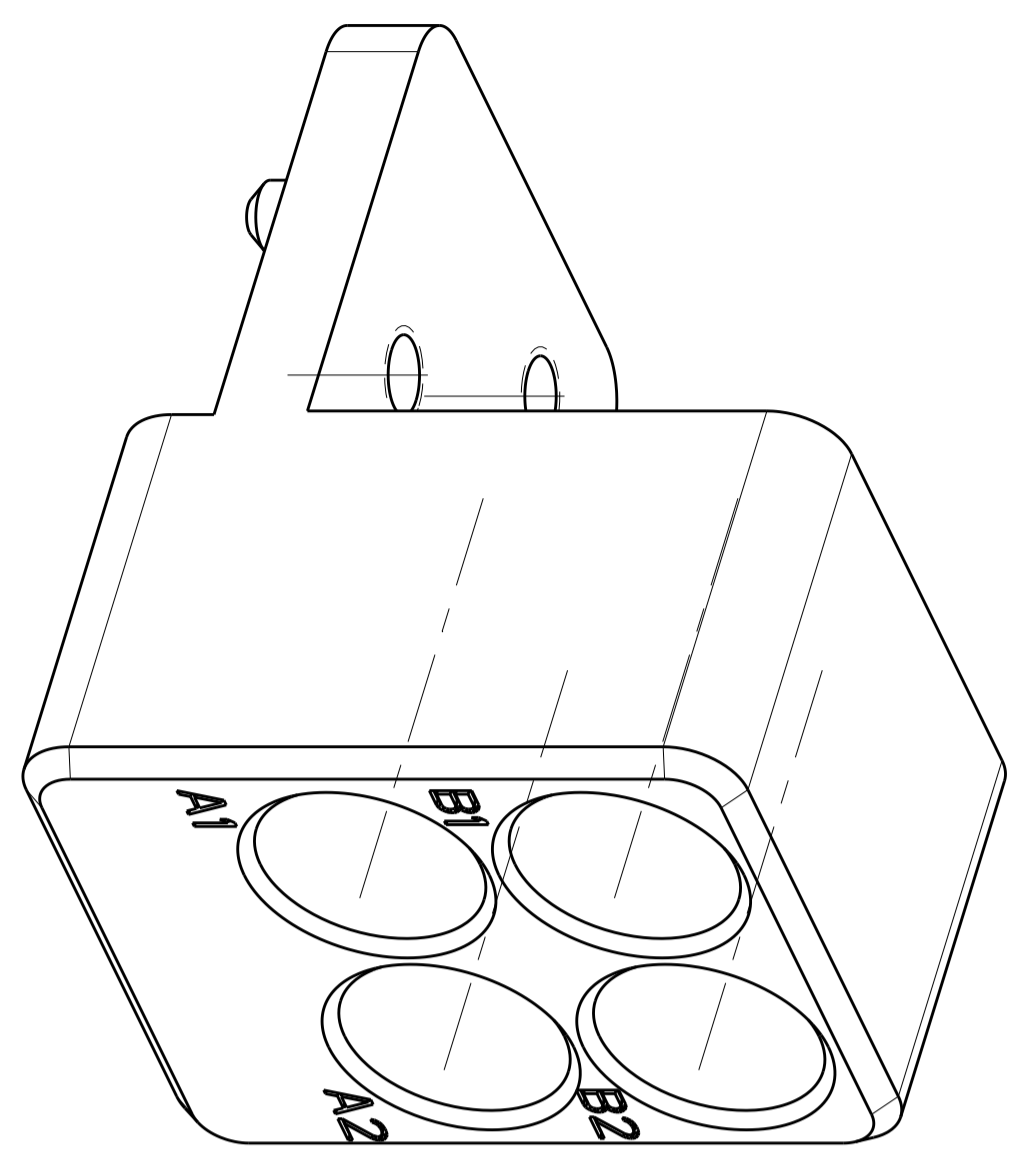
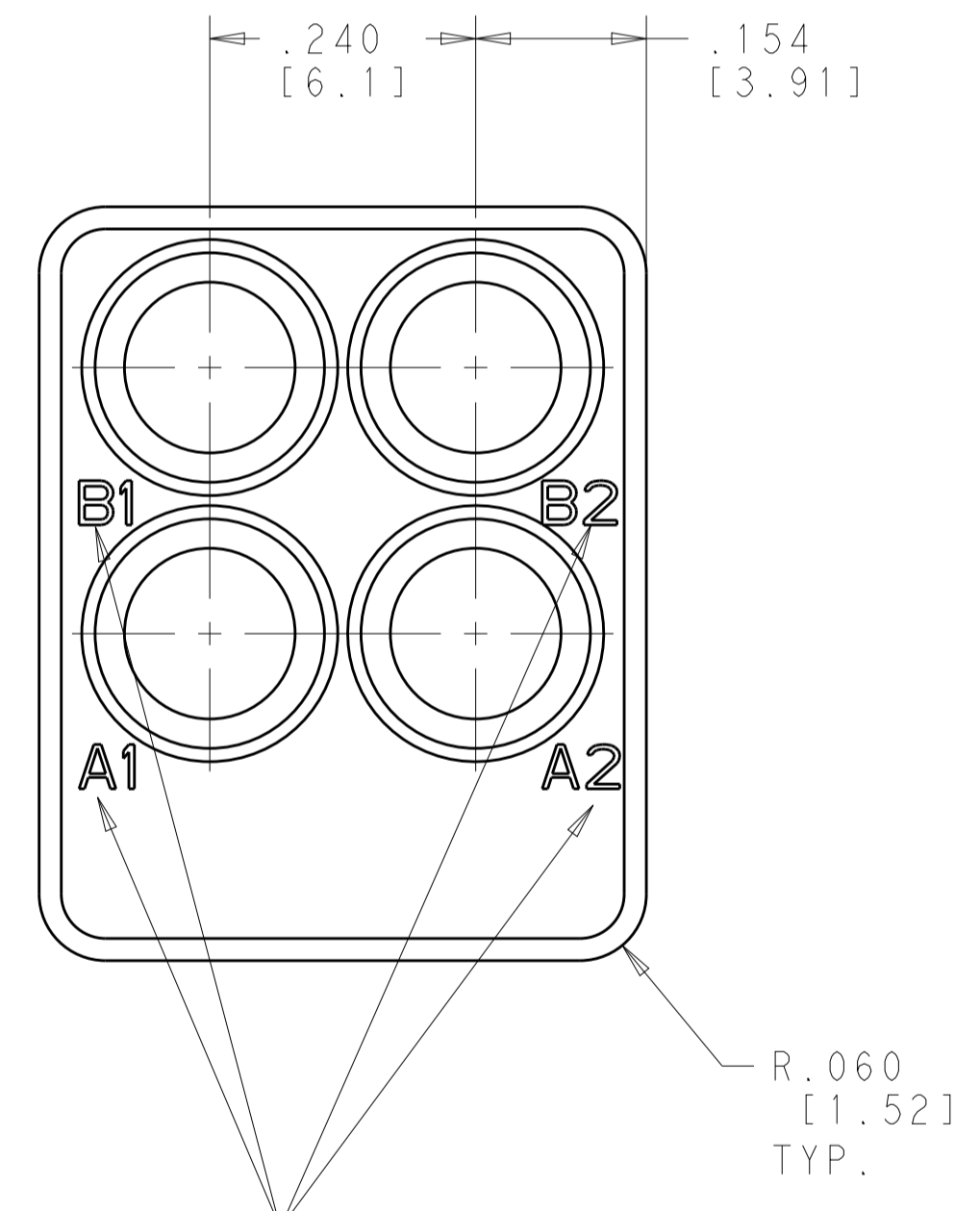
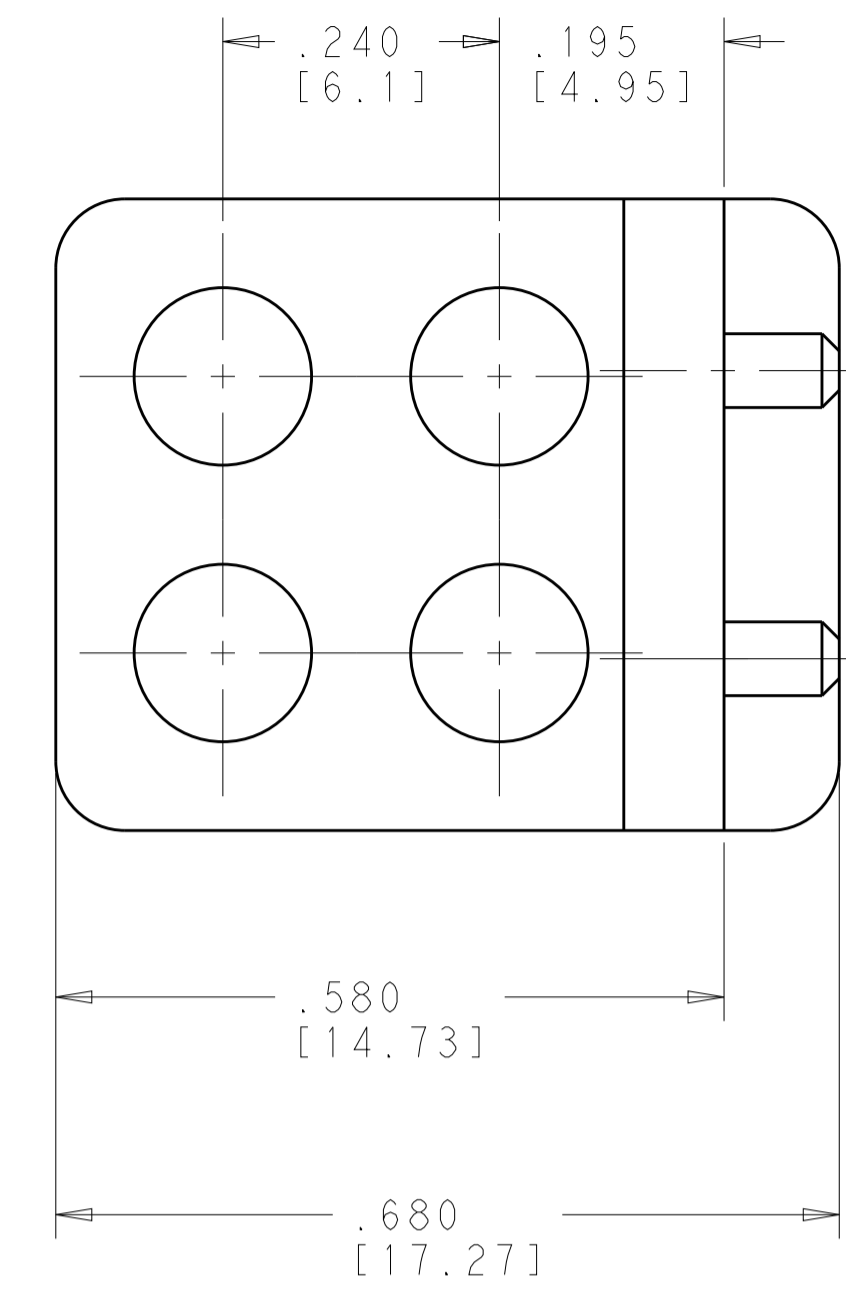
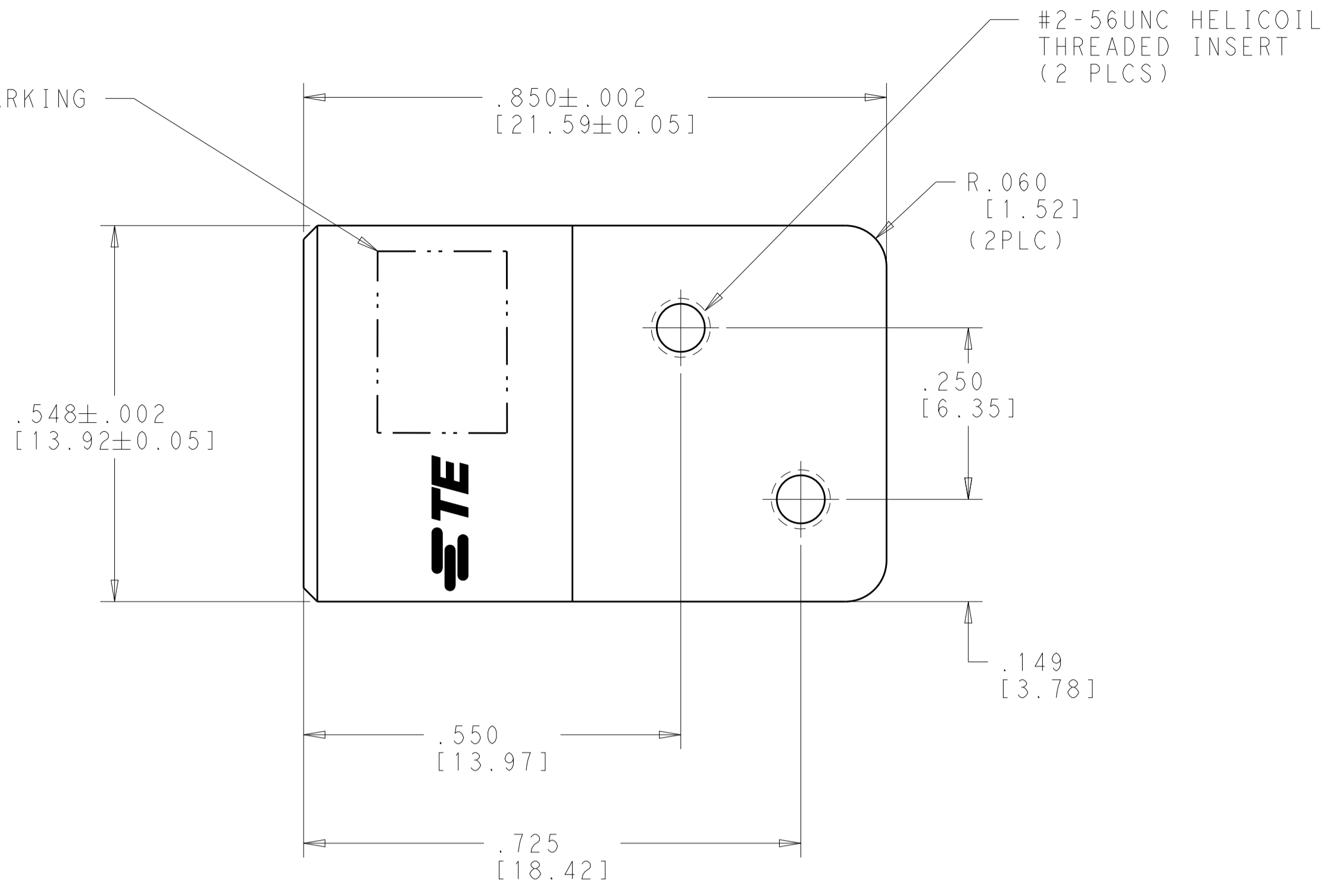


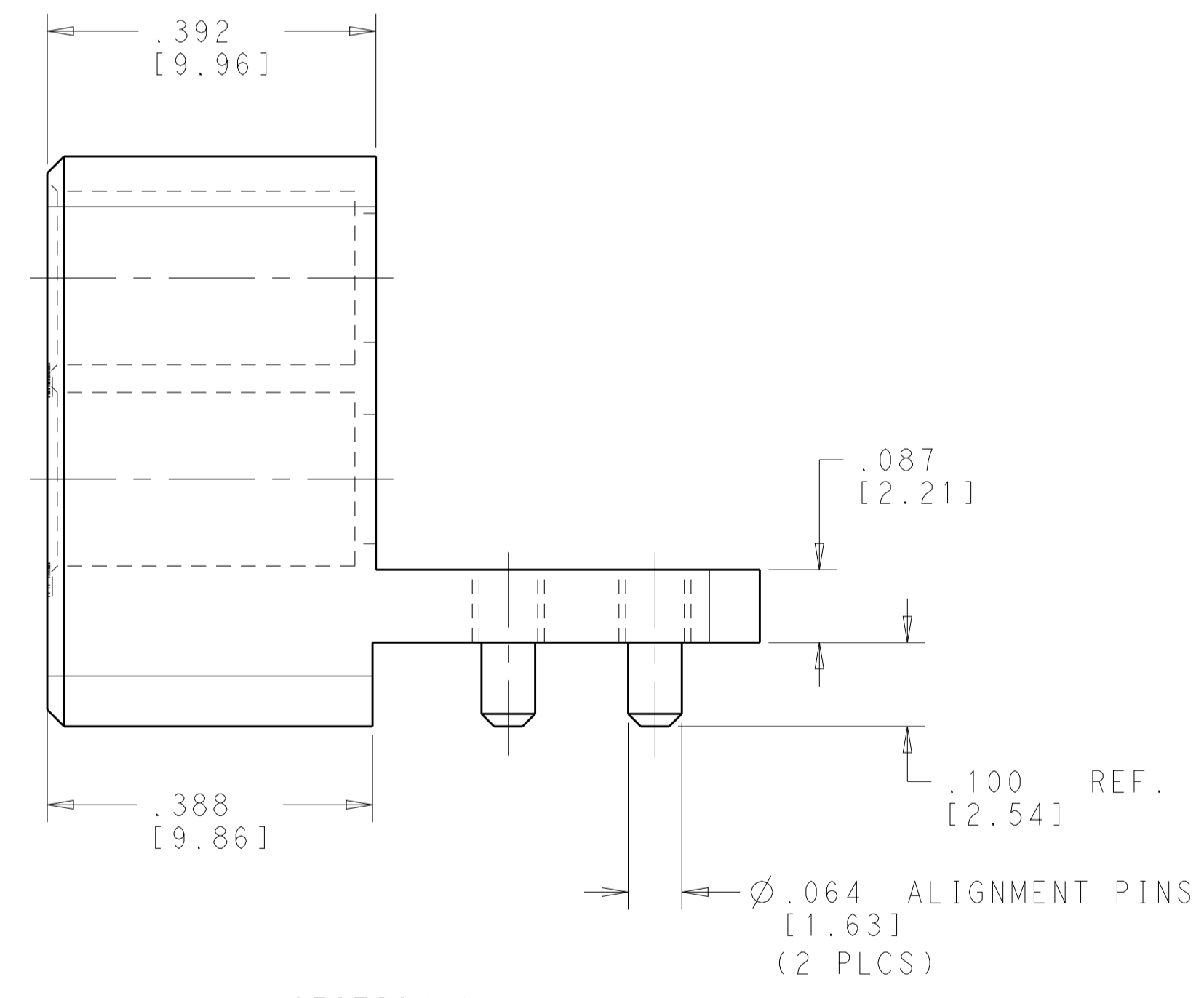
LOC		DIST		REVISIONS			
P	LTN	DESCRIPTION	DATE	DWN	APVD		
A		REV PER ECO 16-012318	10-12-16	CT	DW		



3 PART MARKING



4 CAVITY IDENTIFICATION



SECTION A-A

- 1 MATERIAL: ALUMINUM ALLOY 6061-T6, (UNS A96061) PER ASTM B 221
- 2 FINISH: TRIVALENT CHROMATE CONVERSION COATING, PER MIL-DTL-5541F, CLASS 1A, TYPE II
- 3 PART MARKING: TE CONNECTIVITY PART NUMBER, CAGE CODE AND DATE CODE.
- 4 CAVITY IDENTIFICATION MARKING

2157339-4	3 4	2157339-4
PART MARKING	MARKING REQUIREMENT	PART NUMBER

THIS DRAWING IS A CONTROLLED DOCUMENT.		DWN RJM 21JAN2011	TE Connectivity NAME 4 POSITION P.C.B. MOUNT RF MODULE VITA 67, DAUGHTER CARD 2-56 UNC TAPPED MTG. HOLES SIZE CAGE CODE DRAWING NO RESTRICTED TO A100779C=2157339 CUSTOMER DRAWING SCALE 6:1 SHEET 1 OF 1 REV A
DIMENSIONS: INCHES		CHK S.T. Morley 21JAN2011	
TOLERANCES UNLESS OTHERWISE SPECIFIED:		APVD S.T. Morley 21JAN2011	
0 PLC ±. 1 PLC ±.1 2 PLC ±.01 3 PLC ±.001 4 PLC ±.0005 ANGLES ±1.0°		PRODUCT SPEC APPLICATION SPEC	