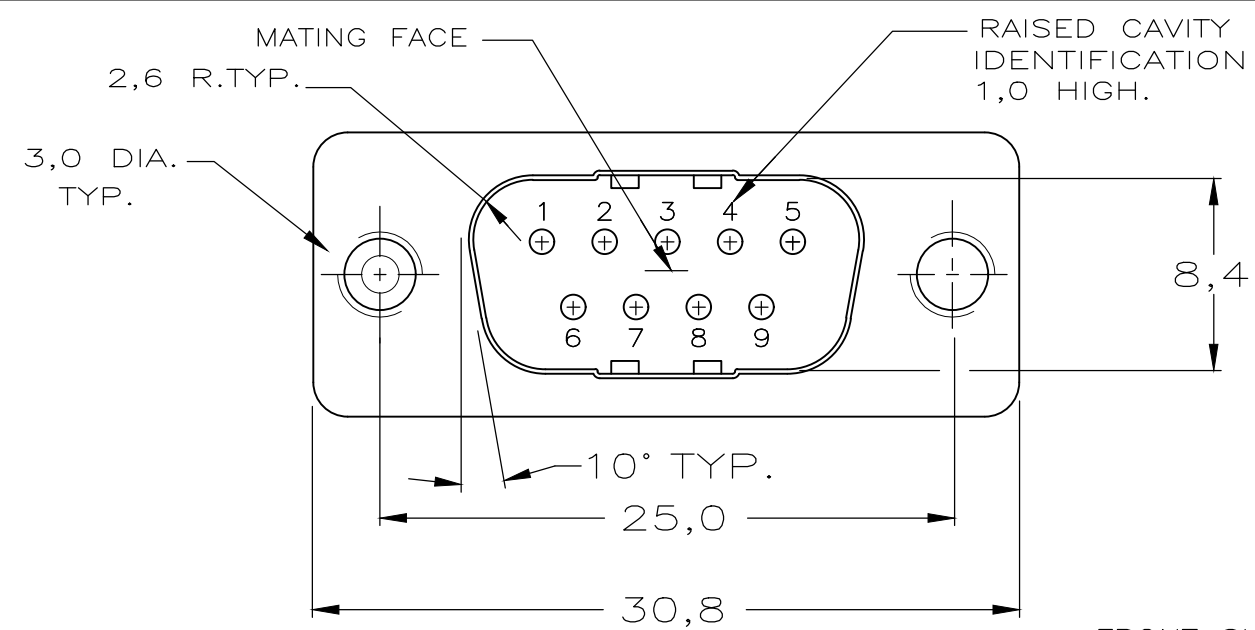
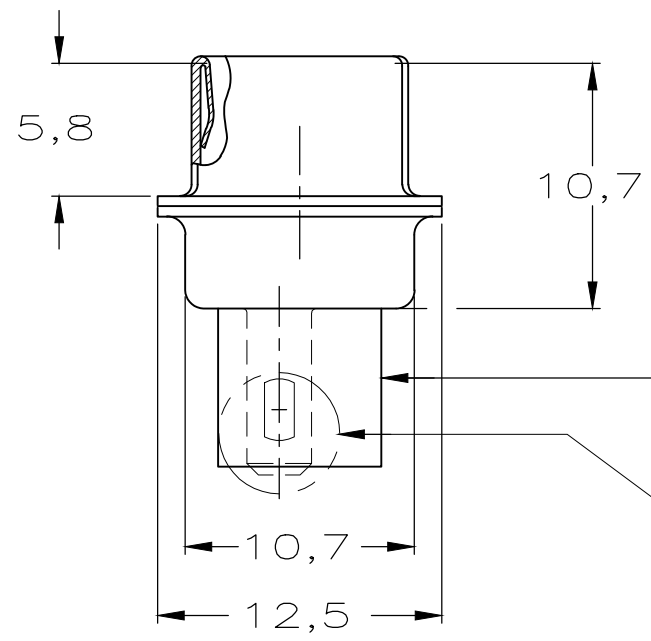
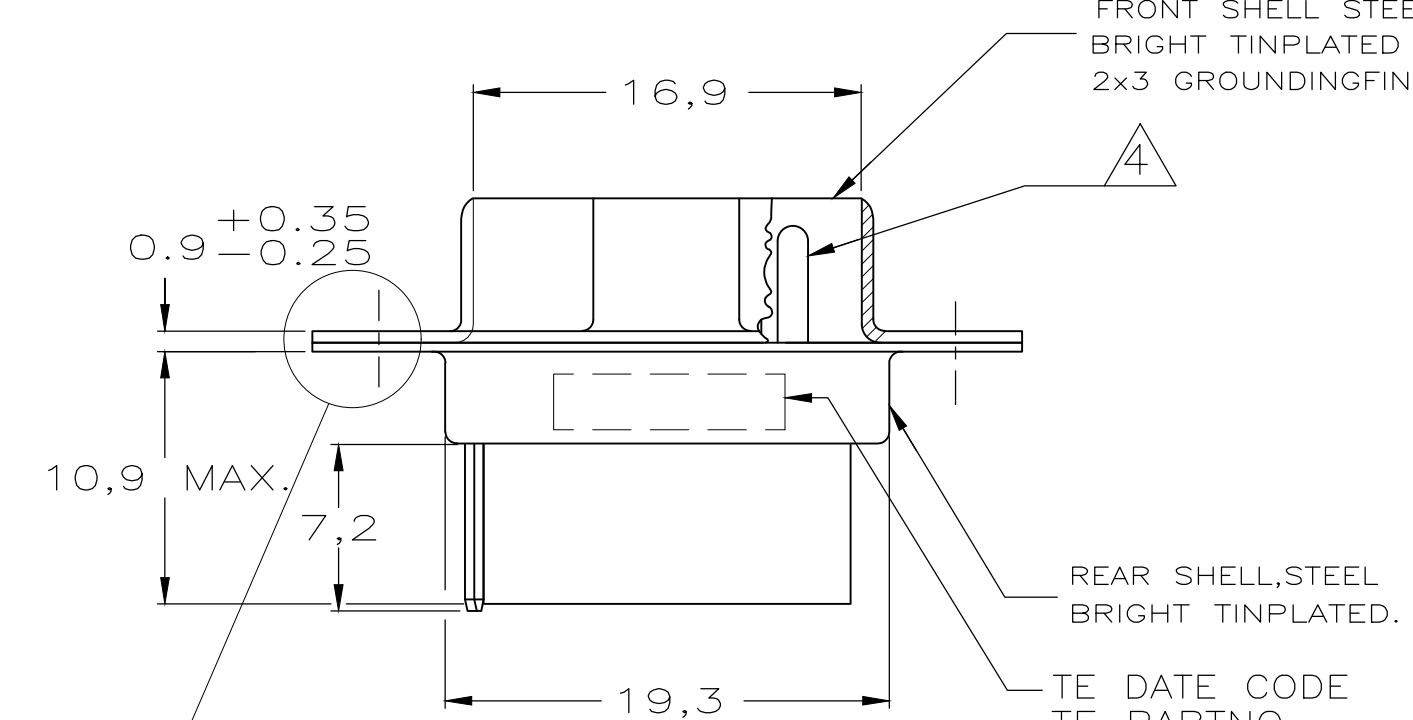


THIS DRAWING IS UNPUBLISHED. RELEASED FOR PUBLICATION
 © COPYRIGHT - By - ALL RIGHTS RESERVED.

REVISIONS				
P	LTR	DESCRIPTION	DATE	APVD
D		REVISED PER ECO-18-001571	08FEB2018	AP DG

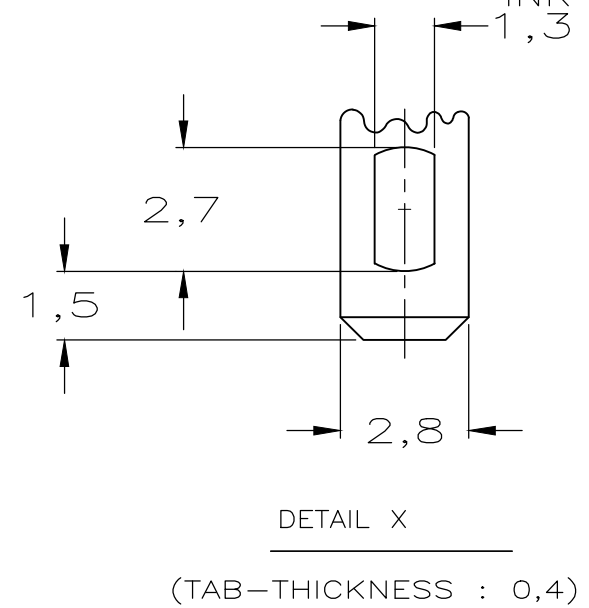
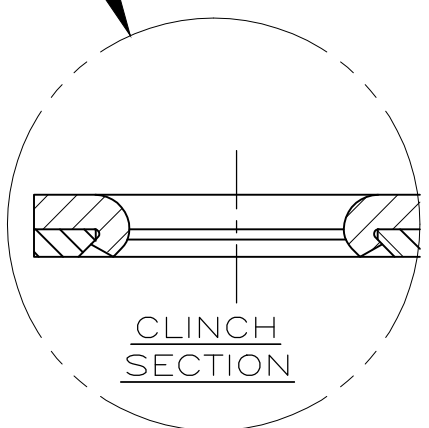


- NOTES:**
- 1 THIS PLUG ACCEPTS SIZE 20 PIN CONTACTS
 - 2 MAXIMUM WIRE INSULATION RECOMMENDED FOR USE WITH THIS PLUG IS 1,73 DIA. MAX..
 - 3 RETENTION TINES ARE AN INTEGRAL PART OF INSERT.
 - 4 CONTACTS SHOWN FOR ILLUSTRATION ONLY, NO PART OF CONNECTOR PACKAGE, MUST BE ORDERED SEPARATELY.
 - 5 FOLLOWING INSERTION/REMOVAL TOOLS ARE RECOMMENDED FOR USE WITH THESE CONNECTORS:
32-28AWG/28-24AWG CONT's 24-20AWG CONTACTS
 91067-3 INSERTION/REMOVAL 91067-2 INSERTION/REMOVAL
 726363-1 INSERTION ONLY 726363-1 INSERTION ONLY
 726364-1 REMOVAL ONLY



INSERTS: NYLON
 GLASS-FILLED
 SELF-EXTINGUISHING
 COLOR: BLACK
 SEE DETAIL X

REAR SHELL, STEEL
 BRIGHT TINPLATED.
 TE DATE CODE
 TE PARTNO.
 INK STAMPED



THIS DRAWING IS A CONTROLLED DOCUMENT.

DIMENSIONS:	TOLERANCES UNLESS OTHERWISE SPECIFIED:
mm	
0 PLC	± -
1 PLC	± -
2 PLC	± -
3 PLC	± -
4 PLC	± -
ANGLES	± -
MATERIAL	FINISH
-	-

DWN	L.V.D.HEIJDEN.	30-06-87
CHK	C.V.TILBURG.	07-07-87
APVD	L.V.SOEST.	28-07-87
PRODUCT SPEC	-	-
APPLICATION SPEC	-	-
WEIGHT	0.000000	-
CUSTOMER DRAWING		

SEE DRAWING	SEE DRAWING	215711-1
FINISH	MATERIAL	PARTNUMBER
STE TE Connectivity		
HDP-20 PLUG CONNECTOR, SIZE 1, (9 POSITION) WITH SOLDER TAB.		
SIZE	CAGE CODE	DRAWING NO
A3	00779	C-215711
RESTRICTED TO	SCALE	SHEET
-	-	1 OF 1
REV	D	