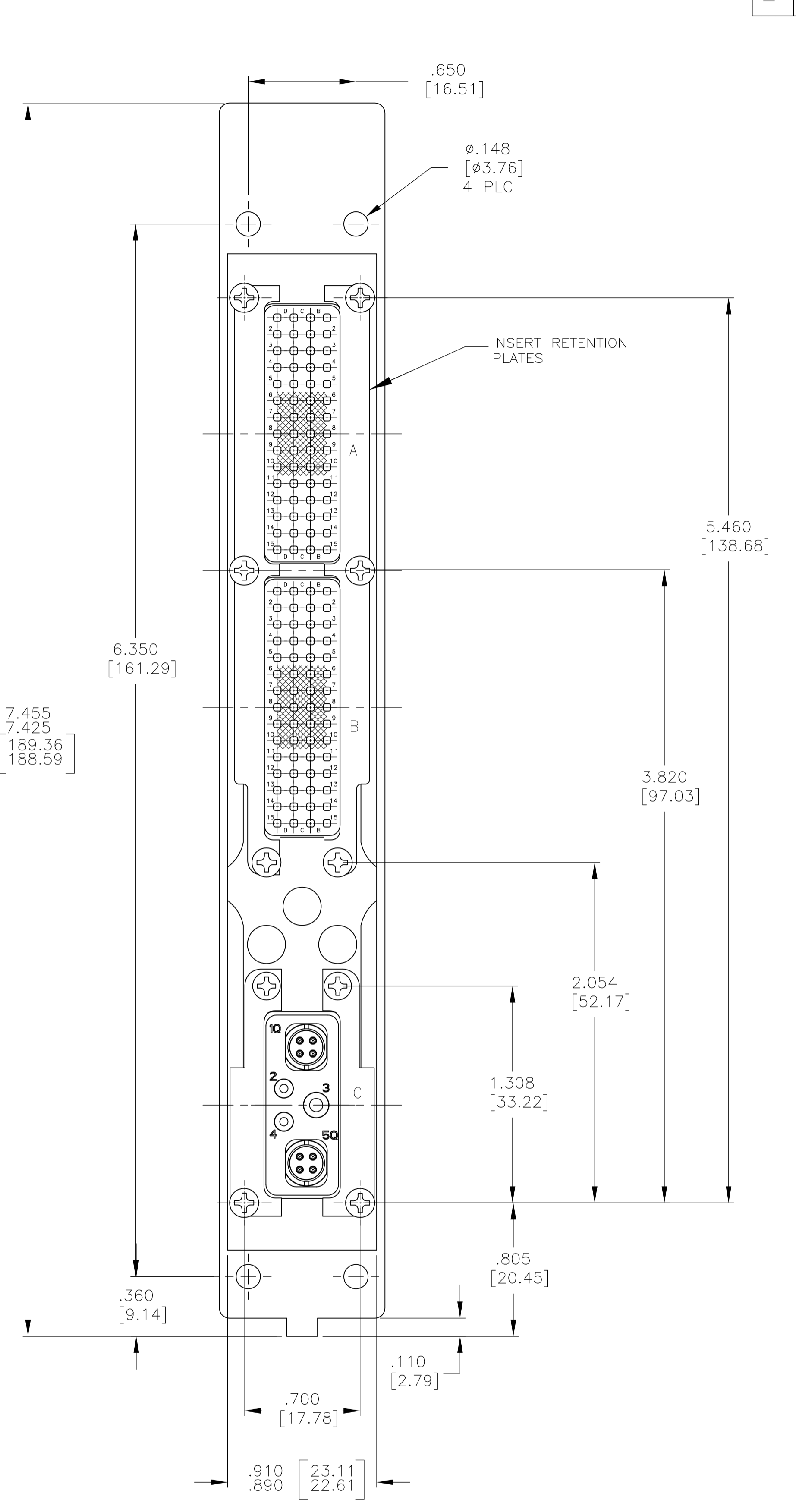
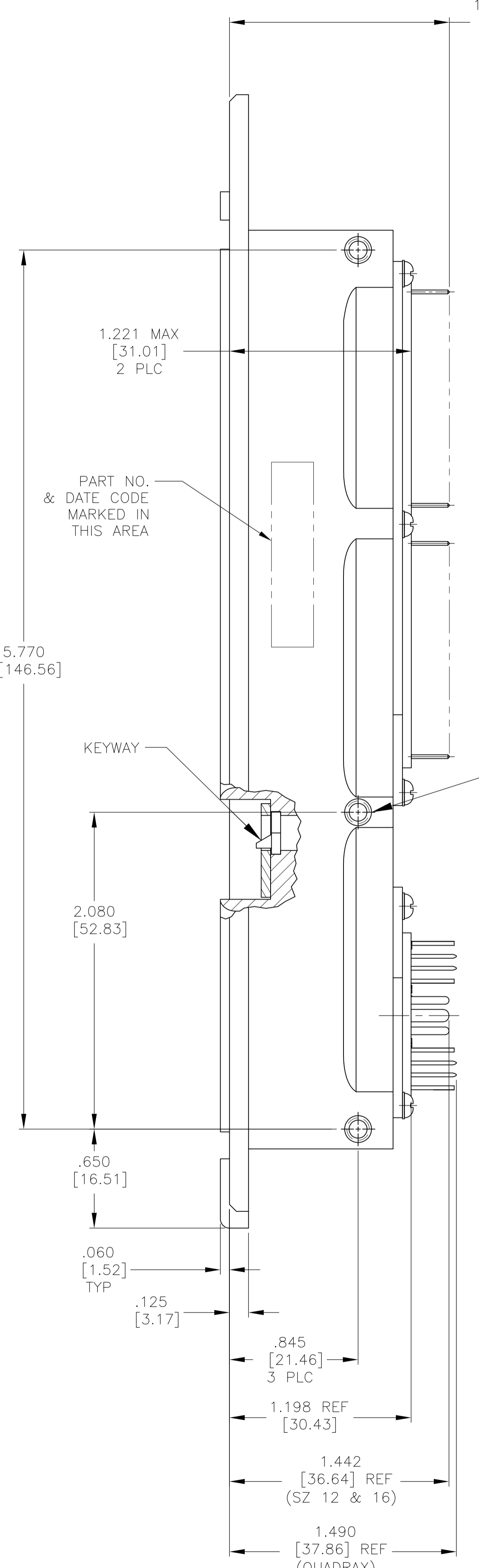
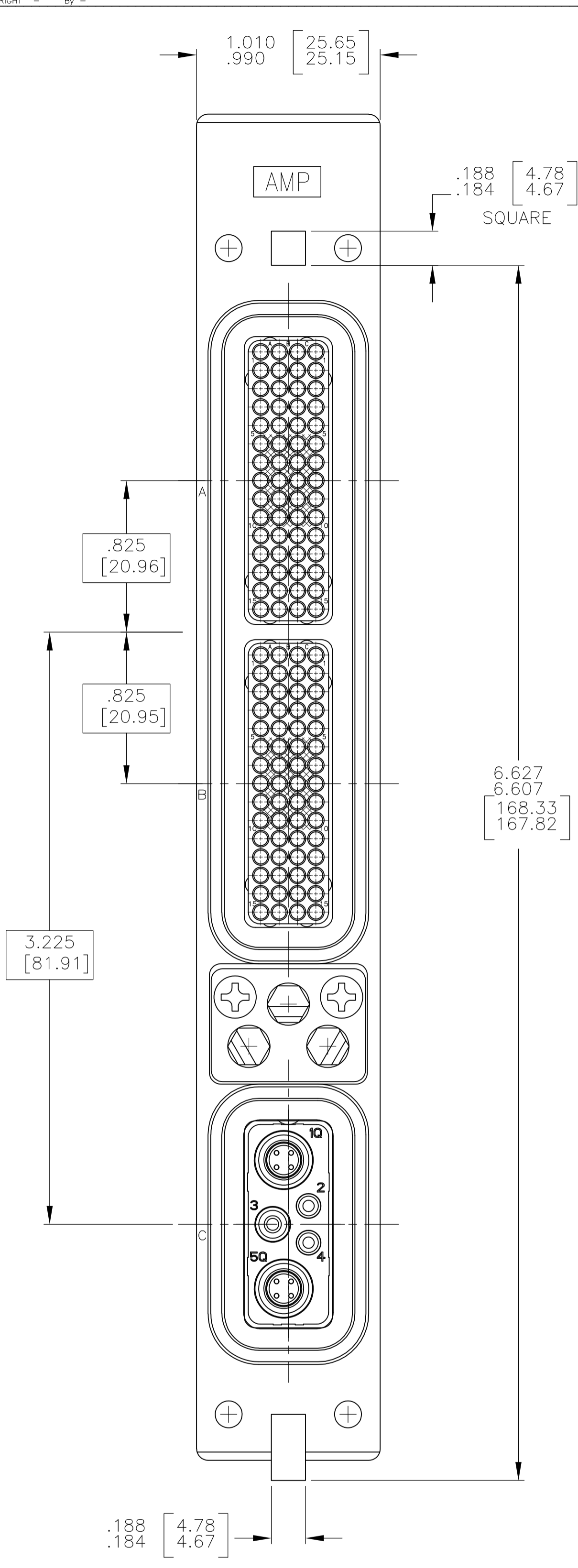


| REVISONS |                       | DATE    | BY | APPV |
|----------|-----------------------|---------|----|------|
| NO       | DESCRIPTION           |         |    |      |
| L        | REV PER ECO-13-022505 | 21FEB13 | KG | WB   |



- CONNECTOR DIMENSIONS ARE PER ARINC 600 SPECIFICATION
- FOLLOWING CONTACTS ARE INCLUDED AND LOADED:  
 SIZE 22 SOCKET: TE P/N 211431-4; QTY: 120 (-1 ONLY)  
 SIZE 22 SOCKET: TE P/N 2102064-5; QTY: 120 (-2 ONLY)  
 SIZE 16 PIN (POSTED): TE P/N 1-448139-4, QTY: 2  
 SIZE 12 PIN (POSTED): TE P/N 1-448140-8, QTY: 1  
 SIZE 8 QUADRAX (POSTED): TE P/N 1445626-4, QTY: 2
- SEE TABLE FOR KEYING POSITION. FOR POSITION "00" KEYING SHIPPED UNASSEMBLED.
- CONTACTS NOT SHOWN IN FRONT AND REAR VIEWS FOR CLARITY. EXCEPT FOR 5Q2 INSERT.
- A DUST COVER IS INSTALLED FOR SHIPPING (NOT SHOWN).

| COMPONENT                      | MATERIAL                        | FINISH  |
|--------------------------------|---------------------------------|---|
| SHELL                          | DIE CAST ALUMINUM PER ASTM-B-85 | CHEMICAL CONVERSION COATING PER MIL-C-5541 TYPE II, CLASS 3 |
| RETENTION PLATES               | ALUMINUM ALLOY PER ASTM-B-209   | CHEMICAL CONVERSION COATING PER MIL-C-5541 TYPE II, CLASS 3 |
| SCREWS, LOCKWASHERS            | STEEL OR STAINLESS STEEL        | ROHS COMPLIANT YELLOW TRIVALENT CHROMATE COATING            |
| POLARIZING KEYS                | ZINC ALLOY PER ASTM-B-86        | -   |
| POLARIZING KEY RETAINING PLATE | ALUMINUM ALLOY PER ASTM-B-209   | BLUE ANODIZED PER MIL-A-8625                                |
| INSERTS                        | THERMOSET                       | -   |

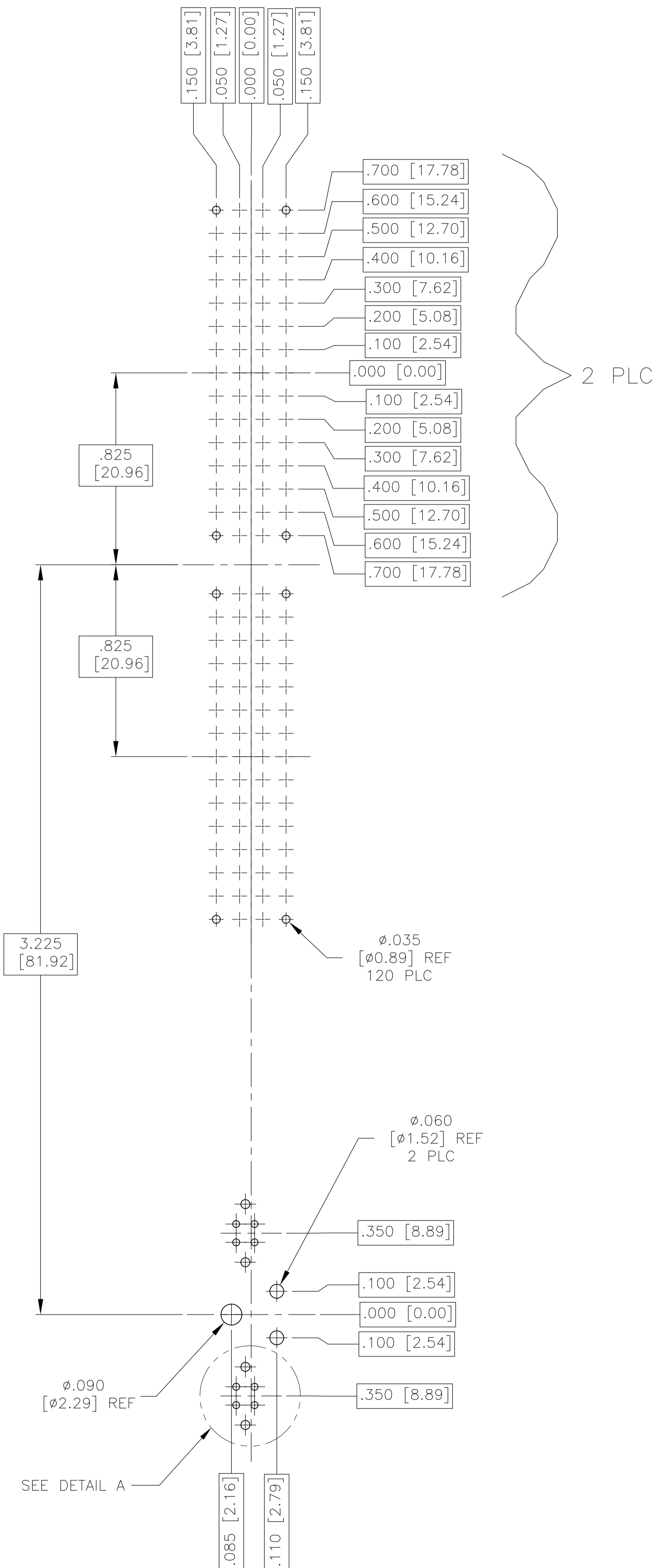
|   |  |
|---|--|
| THIS DRAWING IS A CONTROLLED DOCUMENT. DIMENSIONING AND TOLERANCING PER ASME Y14.5M (ISO STANDARDS) |  |
| DIMENSIONS:   | TOLERANCES UNLESS OTHERWISE SPECIFIED: |
| INCHES (mm)   |  |
| 0 PLC   | ± .005                                 |
| 1 PLC   | ± .005                                 |
| 2 PLC   | ± .005                                 |
| 3 PLC   | ± .005                                 |
| 4 PLC   | ± .005                                 |
| ANGLES  | ± .005                                 |

|                         |                 |           |
|-------------------------|-----------------|-----------|
| STAMPED & FORMED        | "08"            | 2157023-2 |
| SCREW MACHINED          | "08"            | 2157023-1 |
| SIZE 22 SIGNAL CONTACTS | KEYING POSITION | PART NO.  |

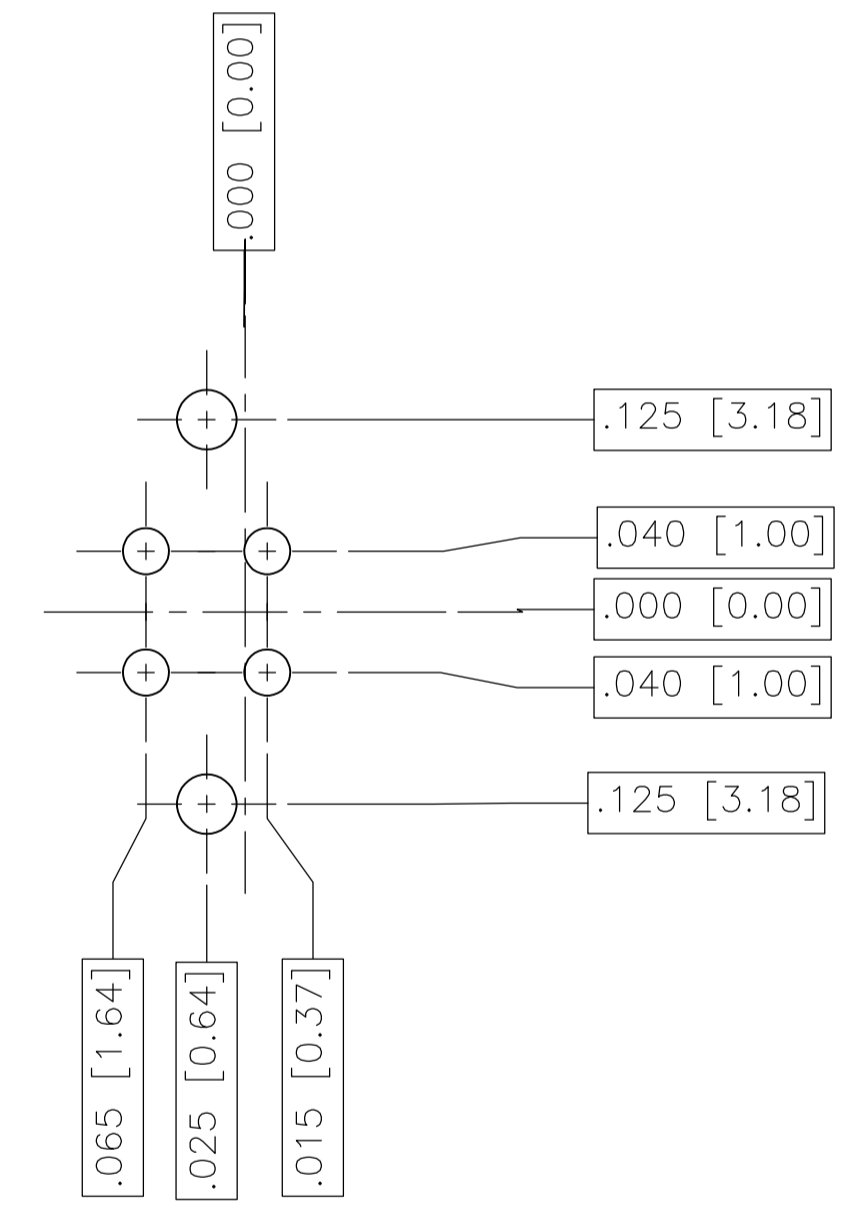
  

|                  |   |           |
|------------------|---|-----------|
| DIN              | C.C.THOMAS  | 7-14-10   |
| CHK              | K.HOGAN   | 7-14-10   |
| APPV             | K.HOGAN   | 7-14-10   |
| NAME             | RCPT ASSY, SIZE 1, ARINC 600 ARINC 600, (60/60/5Q2) |           |
| APPLICATION SPEC | SIZE  | CAGE CODE |
| WEIGHT           | A1  | 00779     |
| CUSTOMER DRAWING | SCALE   | 2:1       |
| SHEET            | 1   | OF 2      |
| REV              |   |           |

| LOC |     | DIST        |      | REVISIONS |      |   |   |
|-----|-----|-------------|------|-----------|------|---|---|
| P   | LYR | DESCRIPTION | DATE | DNW       | APVD |   |   |
| -   | -   | SEE SHEET 1 | -    | -         | -    | - | - |



RECOMMENDED P.C. BOARD LAYOUT  
MATING SIDE VIEW  
SCALE 3:1



DETAIL A  
2 PLC  
SCALE 8:1

|   |                     |                              |  |                    |
|---|---------------------|------------------------------|--|--------------------|
| THIS DRAWING IS A CONTROLLED DOCUMENT. DIMENSIONING AND TOLERANCING PER ASME Y14.5M (ISO STANDARDS) |                     | DIN<br>C.C.THOMAS<br>7-14-10 | TE Connectivity  |                    |
| DIMENSIONS: INCHES [mm]   |                     | CHK<br>K.HOGAN<br>7-14-10    |  |                    |
| TOLERANCES UNLESS OTHERWISE SPECIFIED:  |                     | APVD<br>K.HOGAN<br>7-14-10   | NAME<br>RCPT ASSY, SIZE 1, ARINC 600<br>ARINC 600, (60/60/5Q2) |                    |
| 0 PLC ± -   | 1 PLC ± -           | APPLICATION SPEC             | SIZE<br>A1   | CAGE CODE<br>00779 |
| 2 PLC ± -   | 3 PLC ± .005 [0.13] | WEIGHT                       | DRAWING NO<br>C=2157023  | RESTRICTED TO      |
| 4 PLC ± -   | ANGLES ± -          | CUSTOMER DRAWING             | SCALE<br>2:1   | SHEET<br>2 OF 2    |