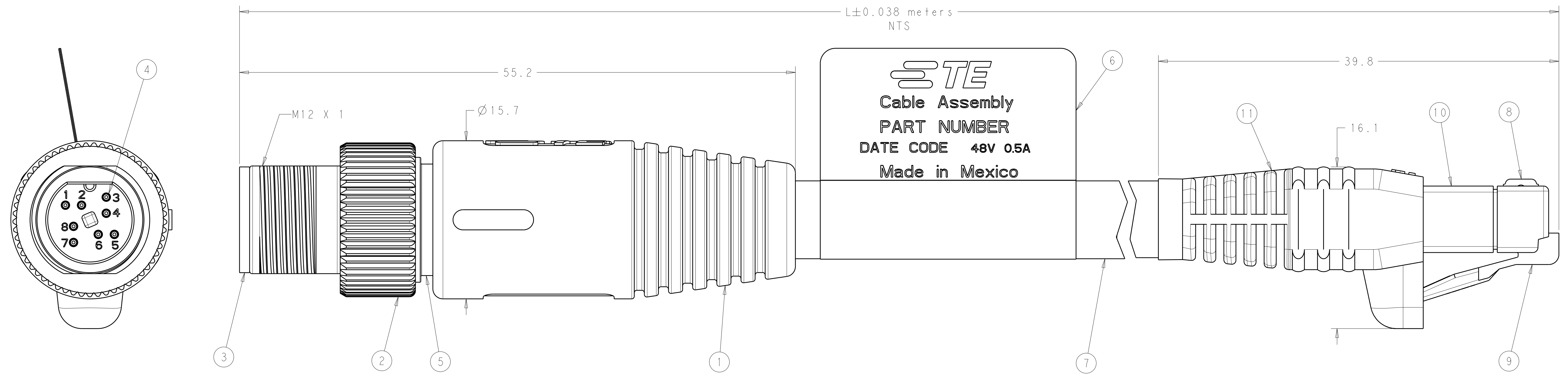
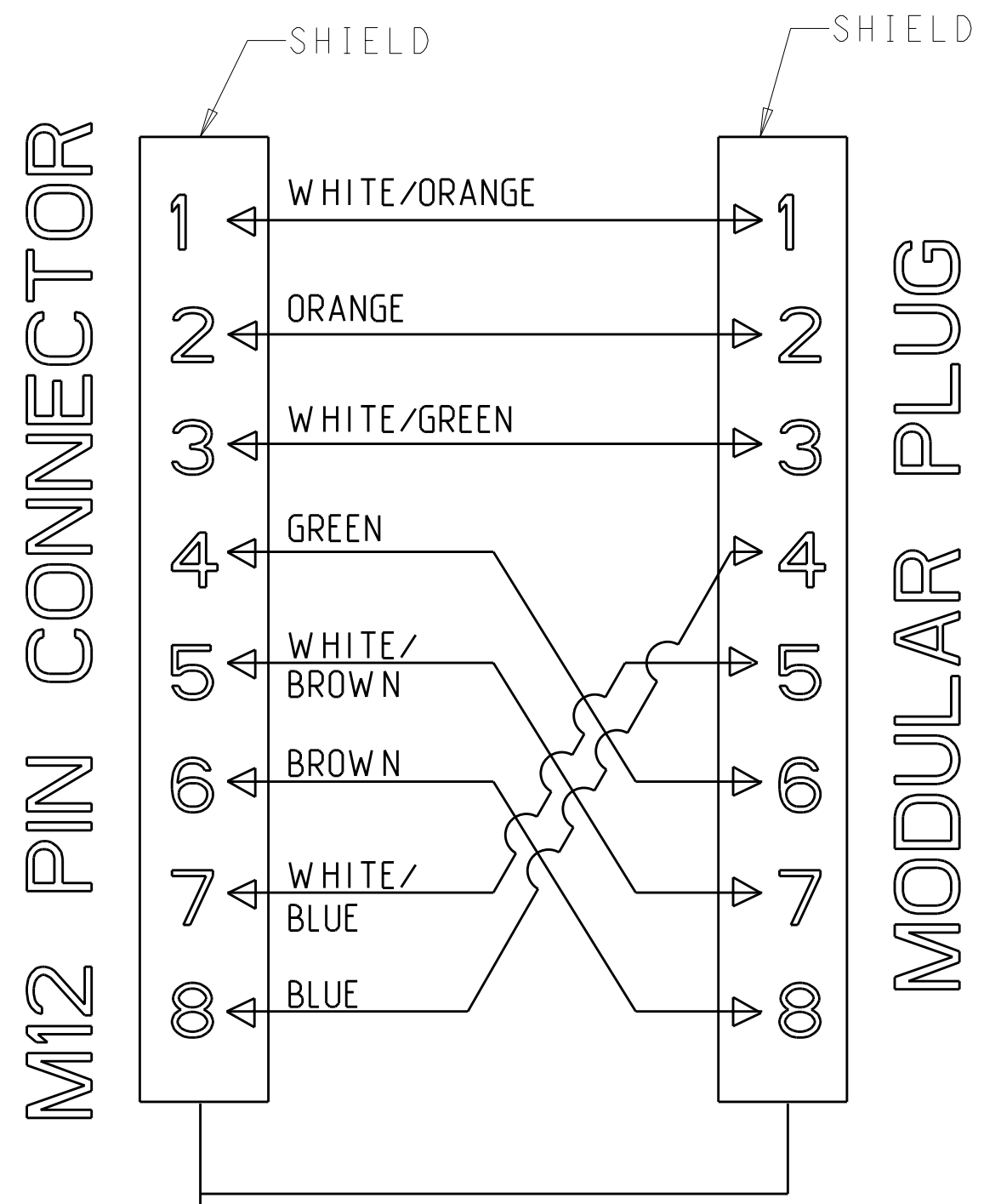


LOC	DIST	REV	DATE	DESCRIPTION	DATE	DWN	APVD
-	-	1	-	CREATE CUSTOMER DRAWING	-	WGL	-
-	-	2	28OCT2011	CHG'D T-BLK DESC.	28OCT2011	GIP	CG
-	-	3	11MAY2012	REDESIGN	11MAY2012	RS	CG



STE
Cable Assembly
PART NUMBER
DATE CODE 48V 05A
Made in Mexico



WIRING DIAGRAM
 SCALE 1:2

ITEM	DESCRIPTION	MATERIAL	FINISH/COLOR	QUANTITY
1	BOOT	TBD	TBD	1
2	COUPLING RING	ZINC ALUMINUM ALLOY	NICKEL OVER COPPER	1
3	PIN HOUSING	LCP	BLACK	1
4	CONTACT	COPPER ALLOY	GOLD OVER NICKEL	8
5	SHEATH BODY	ZINC	NICKEL OVER COPPER	1
6	LABEL	POLYESTER	WHITE	1
7	CABLE	COPPER/PUR	BLACK	AR
8	TERMINAL	COPPER ALLOY	GOLD OVER NICKEL	8
9	HOUSING	POLYCARBONATE	CLEAR	1
10	SHIELD	BRASS		1
11	BOOT	TPE-S		1

10.0m	2154689-7
7.0m	2154689-6
5.0m	2154689-5
4.0m	2154689-4
3.0m	2154689-3
2.0m	2154689-2
1.0m	2154689-1
"L" METERS	PART NUMBER

- MUST COMPLY WITH DIRECTIVE 2002/95/EC (ROHS)
- THIS PRODUCT HAS NOT COMPLETED VALIDATION TESTING AS PER TE 102-8.
- LABEL INFORMATION TO INCLUDE TE PART NO., DATE CODE, RATING.
- CABLE ASSEMBLIES TO BE PACKAGED IN POLYBAGS.

THIS PRINT IS
PRELIMINARY
 UNQUALIFIED PRODUCT
 CONTACT PRODUCT ENGINEERING
 BEFORE USING THIS PRINT

THIS DRAWING IS A CONTROLLED DOCUMENT.		DWN: W.G. LENKER 28JUN2011	TE Connectivity PIN CONNECTOR AND MODULAR PLUG, SHIELDED, CAT 5E, VISION, CABLE ASSEMBLY, 10 GIGABIT, M12
DIMENSIONS: mm		CHK: C. GINGRICH 28JUN2011	
TOLERANCES UNLESS OTHERWISE SPECIFIED:		APVD: -	PRODUCT SPEC: -
9 PLC ±0.5		APPLICATION SPEC: -	SIZE: CAGE CODE DRAWING NO. RESTRICTED TO
3 PLC ±		WEIGHT: -	A100779C=2154689
5 PLC ±		CUSTOMER DRAWING	SCALE 1:1 SHEET 1 OF 1 REV 3
4 PLC ±			
ANGLES ±			
FINISH: -			