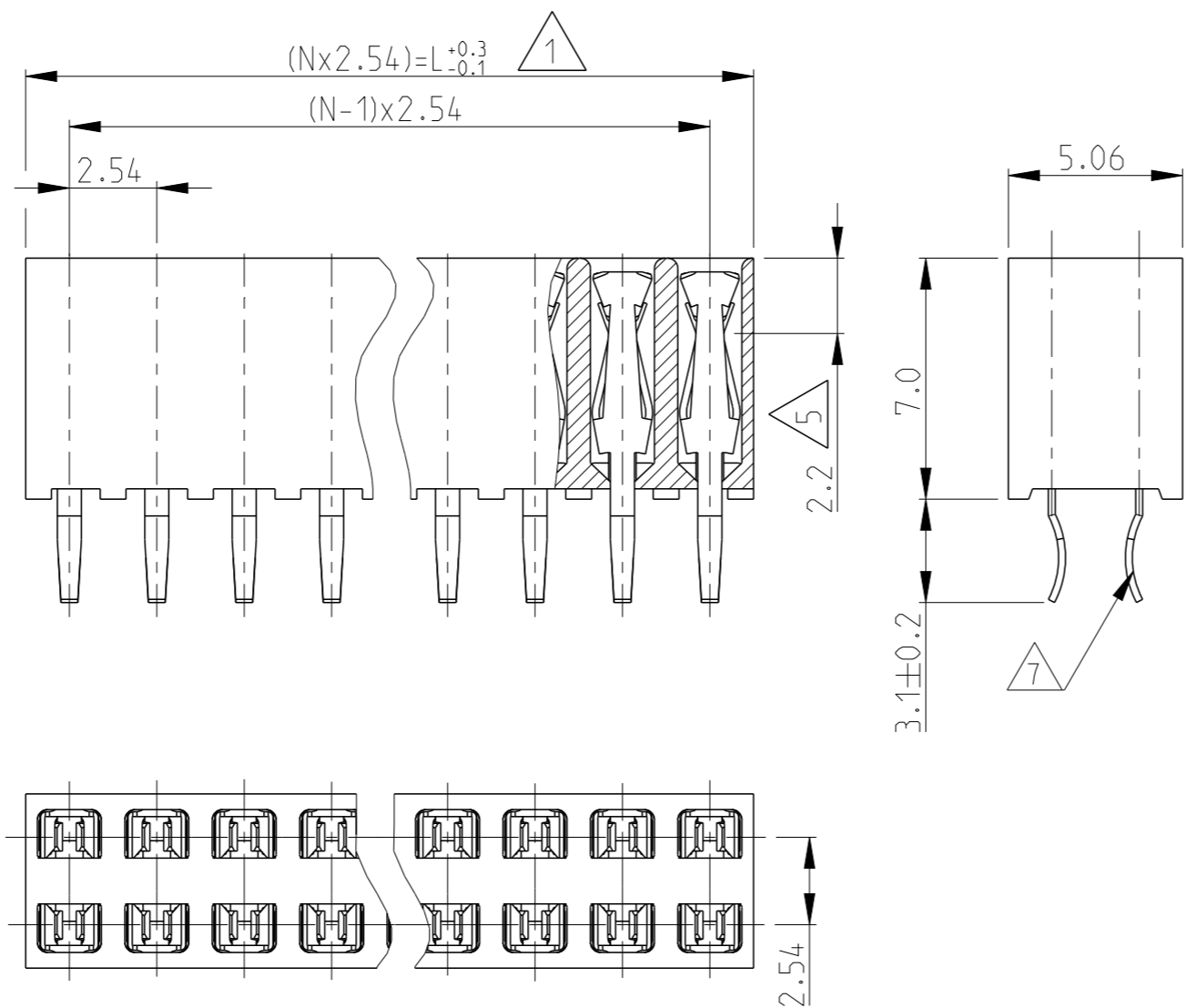


© 2019 TE Connectivity. All Rights Reserved.

REVISIONS

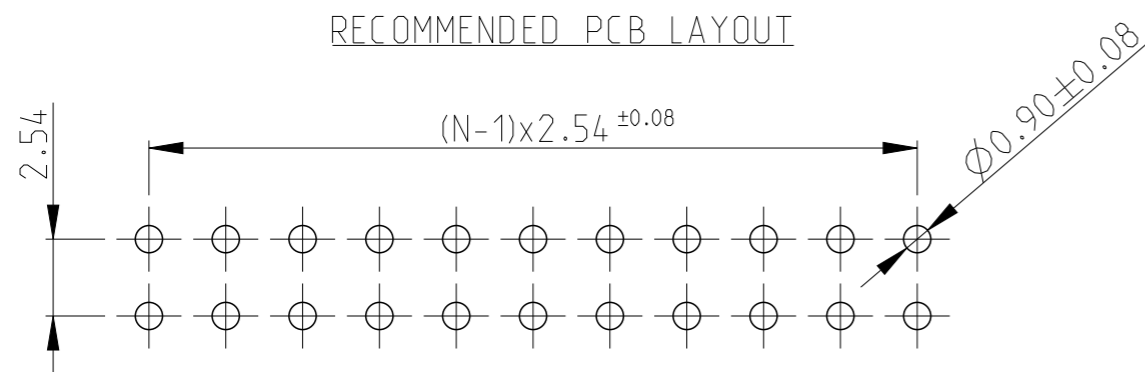
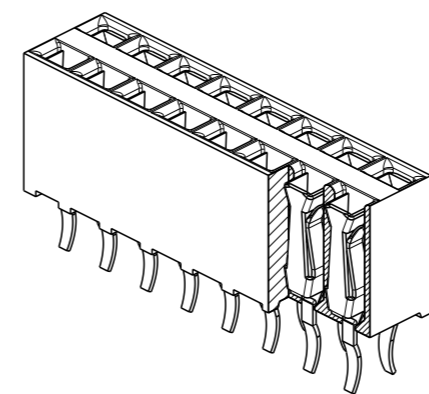
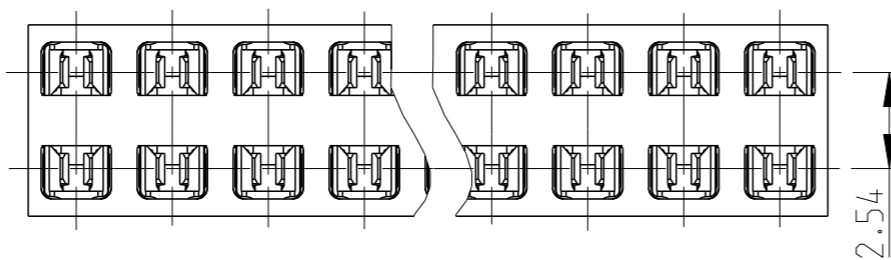
P	LTR	DESCRIPTION	DATE	DWN	APVD
E		PLASTIC MATERIAL SUPPLIER CHANGE	20MAR2019	SS	PS
F		PLASTIC MATERIAL COLOR CHANGE	16MAR2023	AJK	SPS


POS. PER ROW 'N'	L	PART NUMBER	
2	5.08	215308-2	OBSOLETE
3	7.62	-3	
4	10.16	-4	
5	12.70	-5	
6	15.24	-6	OBSOLETE
7	17.78	-7	
8	20.32	-8	
9	22.86	-9	
10	25.40	4-0	OBSOLETE
11	27.94	1-1	
12	30.48	1-2	
13	33.02	4-3	OBSOLETE
14	35.56	4-4	
15	38.10	1-5	
16	40.64	1-6	
17	43.18	4-7	OBSOLETE
18	45.72	1-8	
19	48.26	1-9	
20	50.80	2-0	
21	53.34	2-1	OBSOLETE
22	55.88	2-2	
23	58.42	2-3	
24	60.96	2-4	
25	63.50	2-5	
26	66.04	2-6	OBSOLETE
27	68.58	2-7	
28	71.12	2-8	
29	73.66	2-9	OBSOLETE
30	76.2	3-0	
31	78.74	3-1	OBSOLETE
32	81.28	3-2	
33	83.82	3-3	OBSOLETE
34	86.36	3-4	
35	88.90	3-5	
36	91.44	3- 215308 -6	



NOTES:

- 1 TO DETERMINE DIMENSIONS TAKE $2 \times N =$ NR. OF POS.
FOR EXAMPLE: 2×10 POS; $N \times 2.54 = 25.4$ mm
FOR ORDER NO: USE BASIC - NR. + NR. OF POS.
FOR EXAMPLE: 2×2 POS. = 215308-2 (SHORTEST VERSION)
 2×36 POS. = 3-215308-6 (LONGEST VERSION)
- 2 HOUSING MATERIAL: PBT BLACK GLASS FILLED, UL 94V-0
CONTACT MATERIAL: PHOSPHOR BRONZE
- 3 PLATING 2.5-4.0 μ m TIN OVER 0.5 μ m NICKEL
- 4 MATES WITH 0.63 SQUARE/ROUND MODU POSTS
- 5 CONTACT POINT
- 6 RECOMMENDED PC BOARD THICKNESS: 1.6mm
- 7 PC-BOARD RETENTION FEATURE
- 8 HV100 CONNECTOR PACKED IN ANTI-STATIC BLISTER TRAY



THIS DRAWING IS A CONTROLLED DOCUMENT.		DWN A.HO	24FEB1989	 TE Connectivity	
DIMENSIONS: mm		CHK M.SCHAARSCHMIDT	24FEB1989		
TOLERANCES UNLESS OTHERWISE SPECIFIED: ±0.15		APVD G.FELDMEIER	-	NAME HV100 CONNECTOR VERTICAL, 7.0mm TOP ENTRY, DUAL ROW, TIN	
0 PLC ± 1 PLC ± 2 PLC ± 3 PLC ± 4 PLC ± ANGLES ±		PRODUCT SPEC 108-19056	-	SIZE A3	CAGE CODE 00779
MATERIAL 2		APPLICATION SPEC -	-	DRAWING NO C=215308	RESTRICTED TO
FINISH 3		WEIGHT -	-	SCALE 5:1	SHEET 1 OF 1
CUSTOMER DRAWING			REV F		