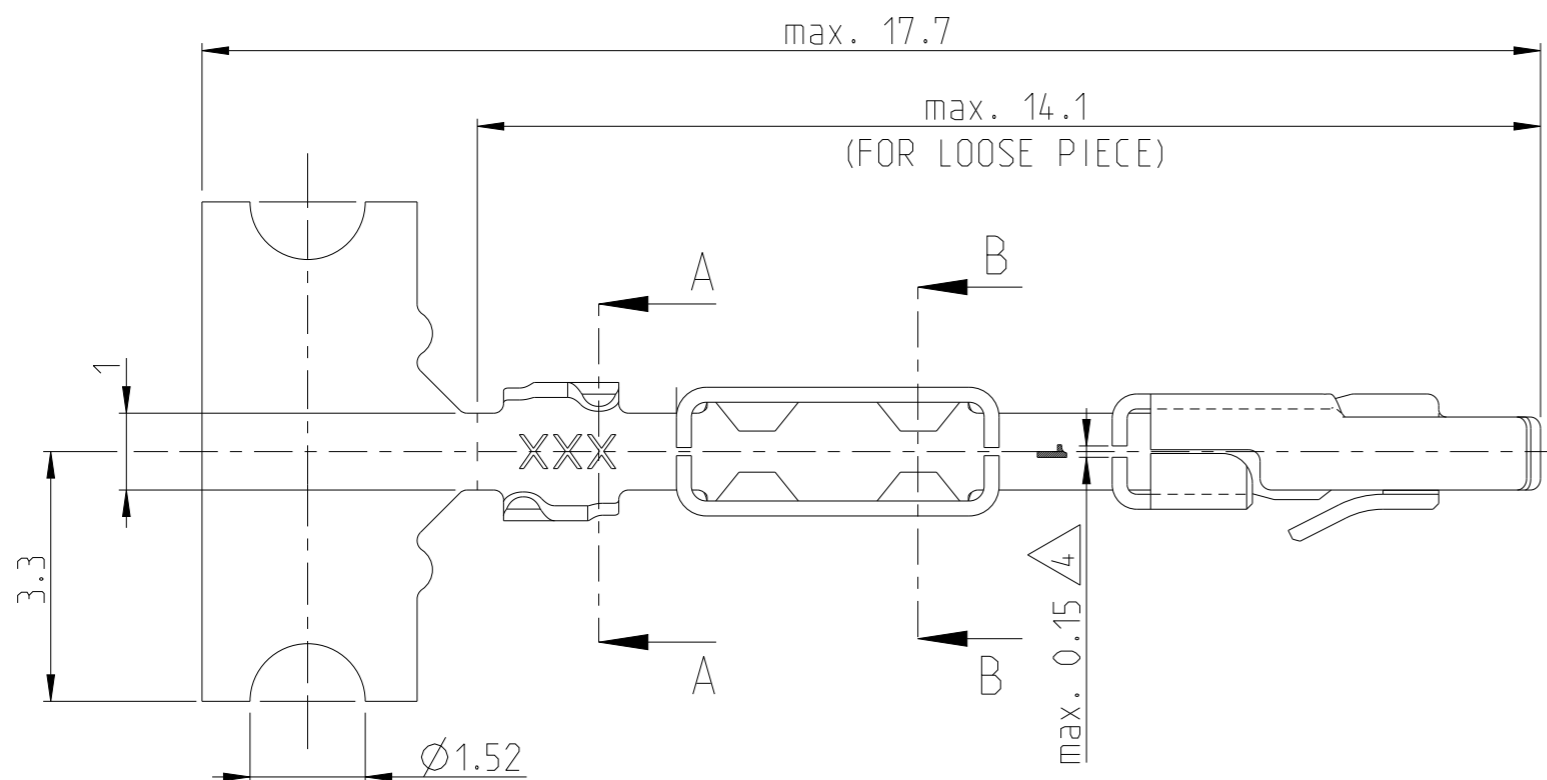


THIS DRAWING IS UNPUBLISHED. RELEASED FOR PUBLICATION 20
 © COPYRIGHT 20 BY - ALL RIGHTS RESERVED.

REVISIONS

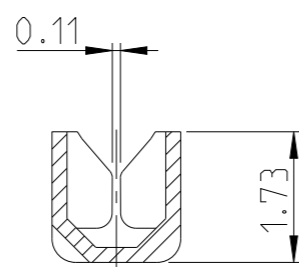
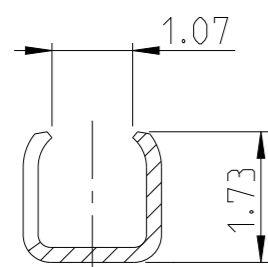
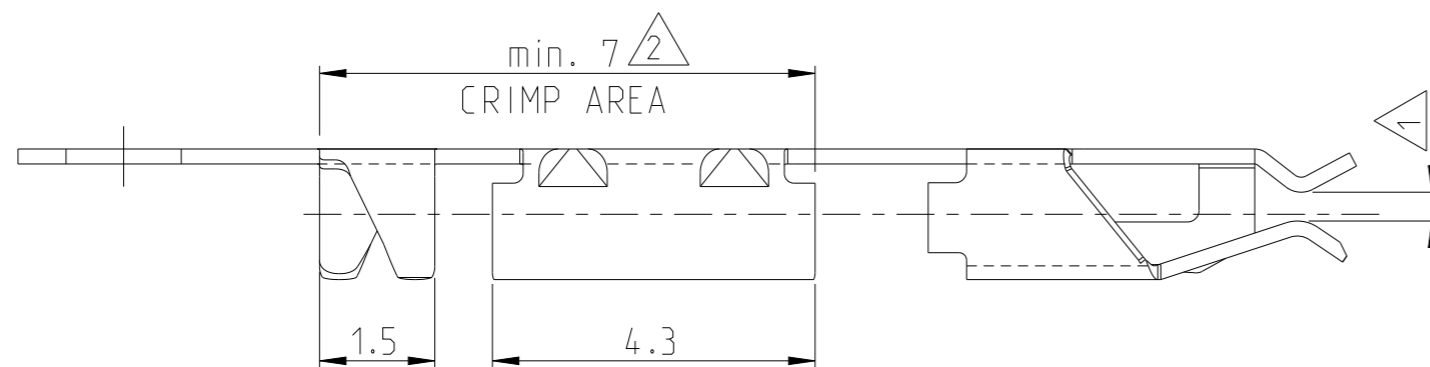
P	LTR	DESCRIPTION	DATE	DWN	APVD
	C2	NEW CAD DRAWING PUBLISHED	26FEB2004	MAH.	BRUN.
	C3	NEW DRAWING CREATED IN CREO	26JUNE2014	JBH	BRUN
	D	ECO-19-019621	12JUL2021	ES	SZ



REMARKS

Bemerkungen

- 1 SUITABLE FOR 0.64x0.64 PIN
- 2 CRIMP AREA PLATED WITH MIN. 2.5 µm TIN OVER 0.8 µm NICKEL
- 3 GOLD PLATING
 - 2 0.4 µm GOLD OVER 0.8 µm NICKEL
 - 3 0.8 µm GOLD OVER 0.8 µm NICKEL
 - 4 1.25 µm GOLD OVER 0.8 µm NICKEL
 - 5 2.0 µm GOLD OVER 0.8 µm NICKEL
 - 1- -5 1.5 µm GOLD OVER 0.8 µm NICKEL
 - 1- -6 1 µm GOLD OVER 1.25 µm NICKEL
 - 8 1.7 µm GOLD OVER 0.8 µm NICKEL
- 4 PIN STOP DIMENSION
- 5 PHOSPHORBRONZE



SECTION A-A

SECTION B-B

OBSOLETE
OBSOLETE

MATERIAL	SURFACE/COLOR	PART NO.	ITEM NO.
5 -	2 3	0-215192-8	-
5 -	2 3	1-215192-6	-
5 -	2 3	1-215192-5	-
5 -	2 3	0-215192-5	-
5 -	2 3	0-215192-4	-
5 -	2 3	0-215192-3	-
5 -	2 3	0-215192-2	-

THIS DRAWING IS A CONTROLLED DOCUMENT.

DIMENSIONS:	TOLERANCES UNLESS OTHERWISE SPECIFIED:
mm	n. ISO 8015, n. ISO 2768-MH-E, n. DIN 16901-120
0 PLC	±
1 PLC	±
2 PLC	±-
3 PLC	±
4 PLC	±
ANGLES	±
MATERIAL	FINISH
Max. Ø1.2	-

DWN	Mahnke.B.	26FEB2004
CHK	Brunner.M.	27FEB2004
APVD	Bleicher.M.	01MAR2004
PRODUCT SPEC	-	
APPLICATION SPEC	-	
WEIGHT	-	
Customer Drawing		

STE TE Connectivity

NAME: RECEPTACLE CONTACT WITH MASS TRMINATION AREA FOR AWG 30-26

SIZE	CAGE CODE	DRAWING NO	RESTRICTED TO
A3	00779	C-215192	-

SCALE: 10:1 SHEET: 1 OF 1 REV: D