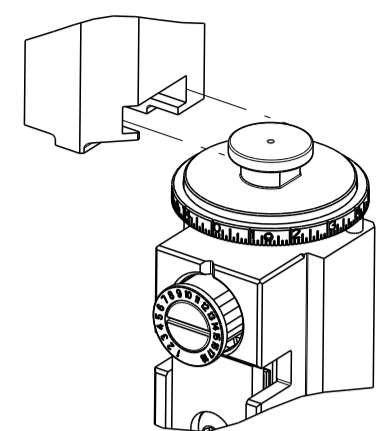


PART NUMBER	REVISION	DESCRIPTION	FEED TYPE
2151794-2	L	FINE CRIMP HEIGHT ADJUST	PNEUMATIC
7-2151794-2	L	PNEUMATIC AND CRIMP TOOLING KIT	PNEUMATIC
7-2151794-7	C	CRIMP TOOLING KIT	-

ATLANTIC VERSION TERMINATOR INTERFACE ADAPTER



APPLICATOR DATA		
CRIMP	SIZE	TYPE
WIRE	5.08 mm [.200]	F
INSUL	10.92 mm [.430]	O

APPLICATOR INSTRUCTIONS
408-35042

TERMINAL DATA: TE TERMINAL		TE CRIMP SPECIFICATION	
TERMINAL NAME: AMP MCP 9.5 FLAT TYPE RECEPTACLE, SWS			
WIRE STRIP LENGTH	INSULATION DIAMETER RANGE		
9.70-10.30 mm [.382-.406 IN]	∅ 1.2		
TERMINAL APPLICATION SPECIFICATION	114-18269		
TERMINALS APPLIED			
TE TERMINAL	TE TERMINAL	TE SEAL	TE SEAL
1-967590-1	1-967590-2		1355437-1 1355437-2

TERMINAL DATA: TE TERMINAL		TE CRIMP SPECIFICATION	
TERMINAL NAME: AMP MCP 9.5 FLAT TYPE RECEPTACLE, SWS			
WIRE STRIP LENGTH	INSULATION DIAMETER RANGE		
8.50-9.50mm [.335-.374 IN]	∅ 1.2		
TERMINAL APPLICATION SPECIFICATION	114-18075		
TERMINALS APPLIED			
TE TERMINAL	TE TERMINAL	TE SEAL	TE SEAL
962938-1	2-962938-1		1355437-1 1355437-2

WIRE SIZE	CRIMP HEIGHT mm [INCH]	CRIMP HEIGHT REFERENCE SETTING
10.00mm2	3.84 +/- 0.05 [.151 +/- .002]	2.7
6.00mm2	3.22 +/- 0.05 [.127 +/- .002]	9.6

WIRE SIZE	CRIMP HEIGHT mm [INCH]	CRIMP HEIGHT REFERENCE SETTING
10.00mm2	3.82 +/- 0.10 [.150 +/- .004]	2.9
6.00mm2	3.20 +/- 0.05 [.126 +/- .002]	9.8



- 1 RECOMMENDED SPARE PARTS
- 2 REFER TO SUPPLIED INSTRUCTION SHEET FOR CLEANING, LUBRICATION AND STORAGE OF APPLICATOR.
- 3 APPLY PART NUMBER 2-23419-6 LOCTITE TO THREADS OF ITEM 242.
- 4 CRIMP HEIGHT REFERENCE SETTING WAS THE SETTING USED WHEN THE APPLICATOR WAS QUALIFIED AT THE FACTORY. ADJUSTMENT MAY BE NECESSARY WHEN RUNNING APPLICATOR IN THE FIELD.
- 5 TERMINAL LUBRICANT IS RECOMMENDED.
- 6. UNLESS SPECIFIED OTHERWISE TORQUE VALUES SHALL BE USED PER DOCUMENT, 101-35000.
- 7 APPLY TORO-SEAL IN ALLEN SOCKET TO FILL HOLE AFTER FLAT HD HAS BEEN ADJUSTED TO CORRECT HEIGHT AT QUALIFICATION.
- 8 CUT TO LENGTH AT ASSEMBLY.
- 9 RELOCATE ITEM 19 TO BACK OF APPLICATOR .
- 10 TERMINAL PITCH NOT COMPATIBLE WITH MECHANICAL FEED.
- 11 FEED PAWL WILL REST ON STRIP GUIDE.
- 12 REFER TO 114 APPLICATION SPECIFICATION FOR CORRECT INSULATION DIAMETER FOR SEAL BEING APPLIED.

***WARNING**
ON INSTALLATION, SET WIRE DISC TO CRIMP HEIGHT REFERENCE SETTING FOR LARGEST WIRE SIZE. CRIMP HEIGHT REFERENCE SETTINGS GREATER THAN THE VALUE SHOWN MAY CAUSE DAMAGE TO THE CRIMP TOOLING. REFER TO THE INSTRUCTION SHEET FOR PROPER SETUP AND ADJUSTMENTS.

LOC	DIST	REVISIONS					
A	66	P	LTN	DESCRIPTION	DATE	OWN	APPD
		J		ECR-19-005860	11APR2019	FJ	TE
		K		ECR-20-002369	18FEB2020	TB	GB
		L		ECR-20-011031	04AUG2020	JAH	GB
		LI		ECR-23-172688	18APR2023	TB	GB

-	1	1	5018030-1	NUT, HEX, REG, RoHS, M3	291	
-	1	1	1-18028-2	WASHER, FLAT, REG M4	271	
-	1	1	2119641-1	FEED CAM, AIR FEED	248	
-	1	1	2119082-7	CAM, SNAIL, INSULATION ADJUSTMENT	244	
-	1	1	2079764-1	WASHER, WAVE SPRING, CREST-TO-CREST	243	
3	-	1	2119083-1	RETAINER, INSULATION DIAL	242	
-	1	1	2844940-6	AIR FEED MODULE	238	
-	1	1	455888-9	SPACER, CRIMPER	221	
-	REF	REF	994970-2	COUNTER, MAGNETIC	164	
-	1	1	1-22281-8	SPRING, COMPRESSION	121	
5	-	1	2119955-1	ASSY, LUBRICATOR, SIDE FEED	113	
-	1	1	2844908-1	SCREW, LOCKING	99	
-	1	1	2844907-1	POST, LOCKING	98	
-	1	1	1-690438-0	FRONT STRIP GUIDE	96	
-	2	2	2168083-1	SCR, SKT HD CAP, RoHS, M3 X 8.0	95	
-	1	1	2168083-6	SCR, SKT HD CAP, RoHS, M5 X 65	93	
-	1	1	455888-9	SPACER, CRIMPER	82	
8	-	2	2079383-4	SCR, BHSC, RoHS (M4 X 8)	79	
-	1	1	1803096-1	EXTENSION PLATE	78	
-	2	2	2168083-1	SCR, SKT HD CAP, RoHS, M3 X 8.0	77	
-	1	1	1633782-7	FENCE	76	
-	1	1	1803607-3	DOCUMENTATION PACKAGE	71	
-	1	1	1-2119791-2	DEPRESSOR, WIRE	70	
-	1	1	2119943-1	WASHER, SPACER	69	
-	1	1	2119740-1	TAG, IDENTIFICATION	67	
-	2	2	2168078-1	SCREW, DRIVE, RH, RoHS, 2 x .188	66	
-	2	2	2-18032-5	SCR, SET, FLT PNT, M5 X 20.0	61	
-	1	1	2168083-2	SCR, SKT HD CAP, RoHS, M4 X 8.0	60	
8	-	1	5-18022-5	SCR, HEX HD CAP, M4 X 6.0	59	
7	-	1	1-2168083-3	SCR, SKT HD CAP, RoHS, M3 X 16	57	
11	-	1	1-1338683-1	FEED PAWL	56	
-	4	4	2168083-3	SCR, SKT HD CAP, RoHS, M4 X 12.0	54	
-	2	2	2168083-8	SCR, SKT HD CAP, RoHS, M4 X 16	53	
-	1	1	5018030-1	NUT, HEX, REG, RoHS, M3	52	
-	1	1	1-811242-0	BUMPER, HOLD DOWN	51	
-	1	1	690753-2	SPACER, TONKER	50	
-	1	1	18023-9	SCR, SKT HD CAP M4 X 6.0	49	
-	1	1	2-1803583-6	APPLICATOR BASIC ASSEMBLY, SF	46	
-	1	1	1803515-2	RAM ASSEMBLY, SF ATLANTIC	44	
-	1	1	1803602-2	SCR, BHSC, RoHS (M8 X 40)	41	
-	1	1	1752356-7	SUPPORT, TERMINAL	34	
8	-	2	2	1-2079383-3	SCR, BHSC, RoHS (M4 X 25)	33
-	2	2	3-2844962-7	SPACER, CYLINDRICAL, STRIP GUIDE	30	
-	1	1	2844938-9	PLATE, STRIP GUIDE	29	
-	1	1	3-455888-2	SPACER, CRIMPER	28	
-	2	2	22283-1	SPRING, COMPRESSION	27	
-	1	1	356835-1	LEVER, DRAG RELEASE	26	
-	1	1	240792-1	DRAG, TERMINAL	25	
-	1	1	1320928-6	STRIP GUIDE	24	
-	1	1	980371-4	SCR, SKT HD SHLDR 5.0 DIA X 6.0	23	
-	1	1	2168083-2	SCR, SKT HD CAP, RoHS, M4 X 8.0	21	
-	2	2	1-18028-2	WASHER, FLAT, REG M4	20	
9	-	1	1	1803013-1	STRIPPER, SIDE FEED	19
-	1	1	4-22280-7	SPRING, COMPRESSION	12	
-	1	1	1-356885-4	STOP, SHEAR	11	
11	-	1	1	2-2119805-3	SHEAR HOLDER, FRONT	10
11	-	1	1	1-318059-3	FLOATING SHEAR, FRONT	9
11	1	2	1	1-1633930-3	ANVIL, COMBINATION	8
-	-	-	-	SPACER	7	
-	-	-	-	-	6	
-	1	1	1803080-3	DEPRESSOR, SHEAR	5	
-	1	1	2-238011-9	BLOCK, CRIMPER SPACER	4	
11	1	2	1	1803453-2	CRIMPER, INSULATION O	3
-	1	1	2-455888-0	SPACER, CRIMPER	2	
11	1	2	1	5-568176-0	CRIMPER, WIRE	1

DIMENSIONS:		TOLERANCES UNLESS OTHERWISE SPECIFIED:		MATERIAL:		FINISH:	
mm	0 PLC ±	1 PLC ±	2 PLC ±	3 PLC ±	4 PLC ±	ANGLES ±	FINISH

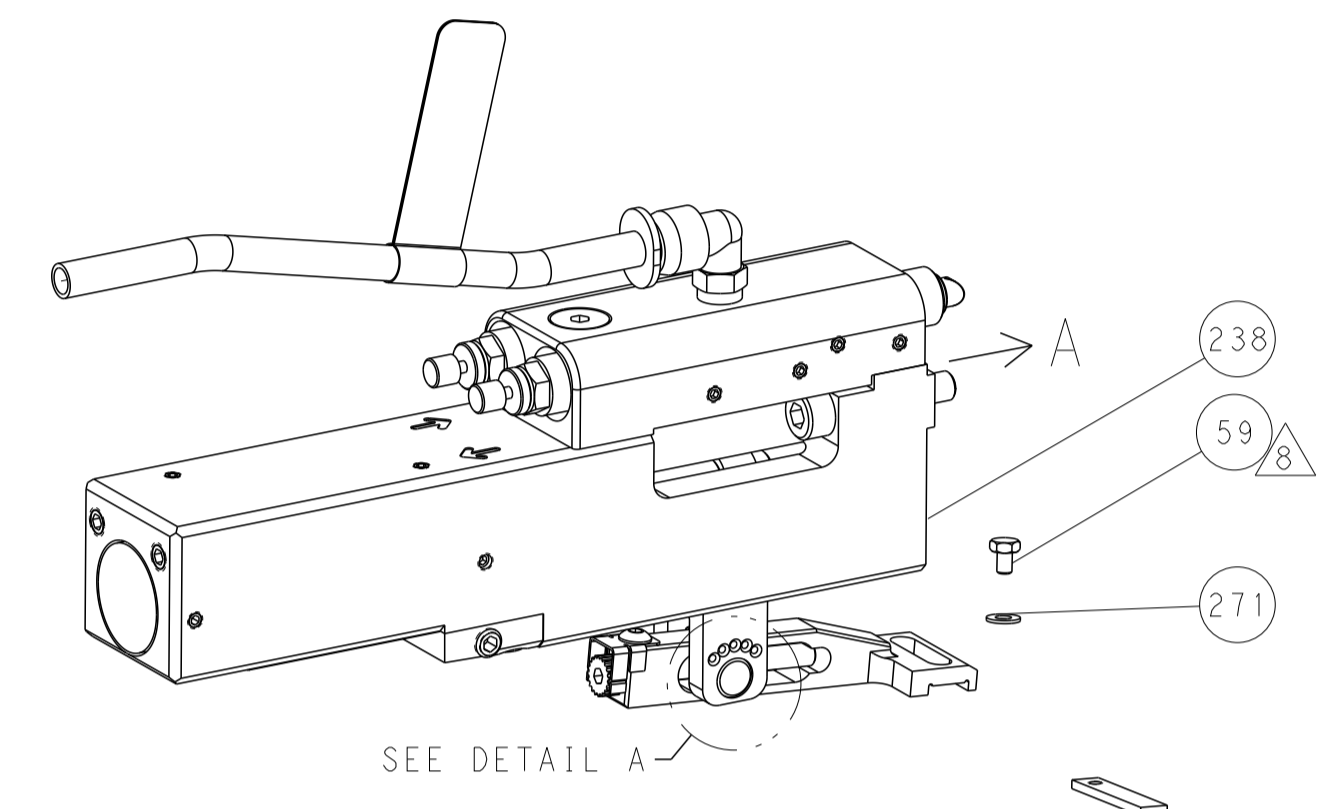
OWN	H. HUANG	26NOV2012
CHK	S. XI	26NOV2012
APPD	S. XI	26NOV2012
PRODUCT SPEC		
APPLICATION SPEC		
SIZE	CAGE CODE	DRAWING NO
A1	00779	2151794
Customer Accessible Production Drawing	SCALE	SHEET 1 OF 4
	1:2	REV L1

ATLANTIC VERSION
Shown on sheets 1 of 4 & 2 of 4
(Pacific version shown on sheets 3 of 4 & 4 of 4)

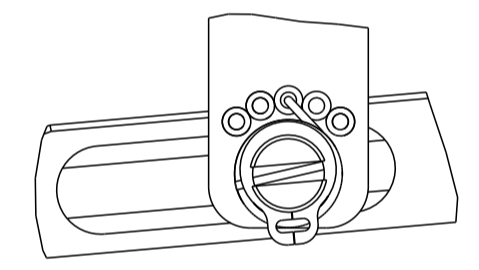
LOC		DIST		REVISIONS			
A	66	P	LTN	DESCRIPTION	DATE	OWN	APVD
		-		SEE SHEET 1			

FEED TYPE

PNEUMATIC

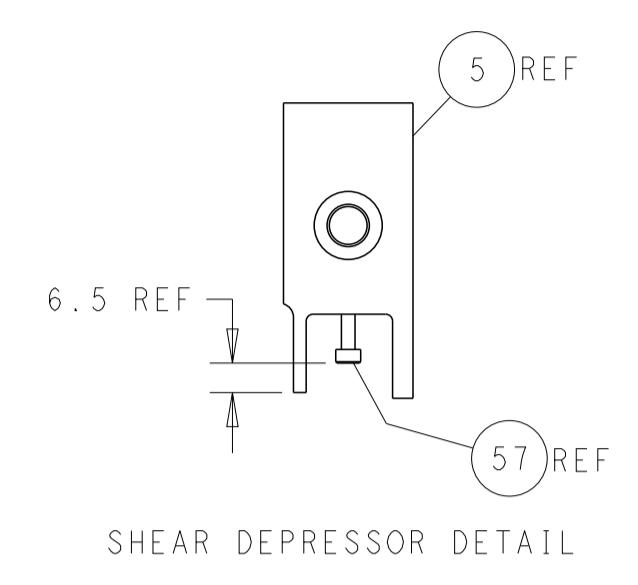
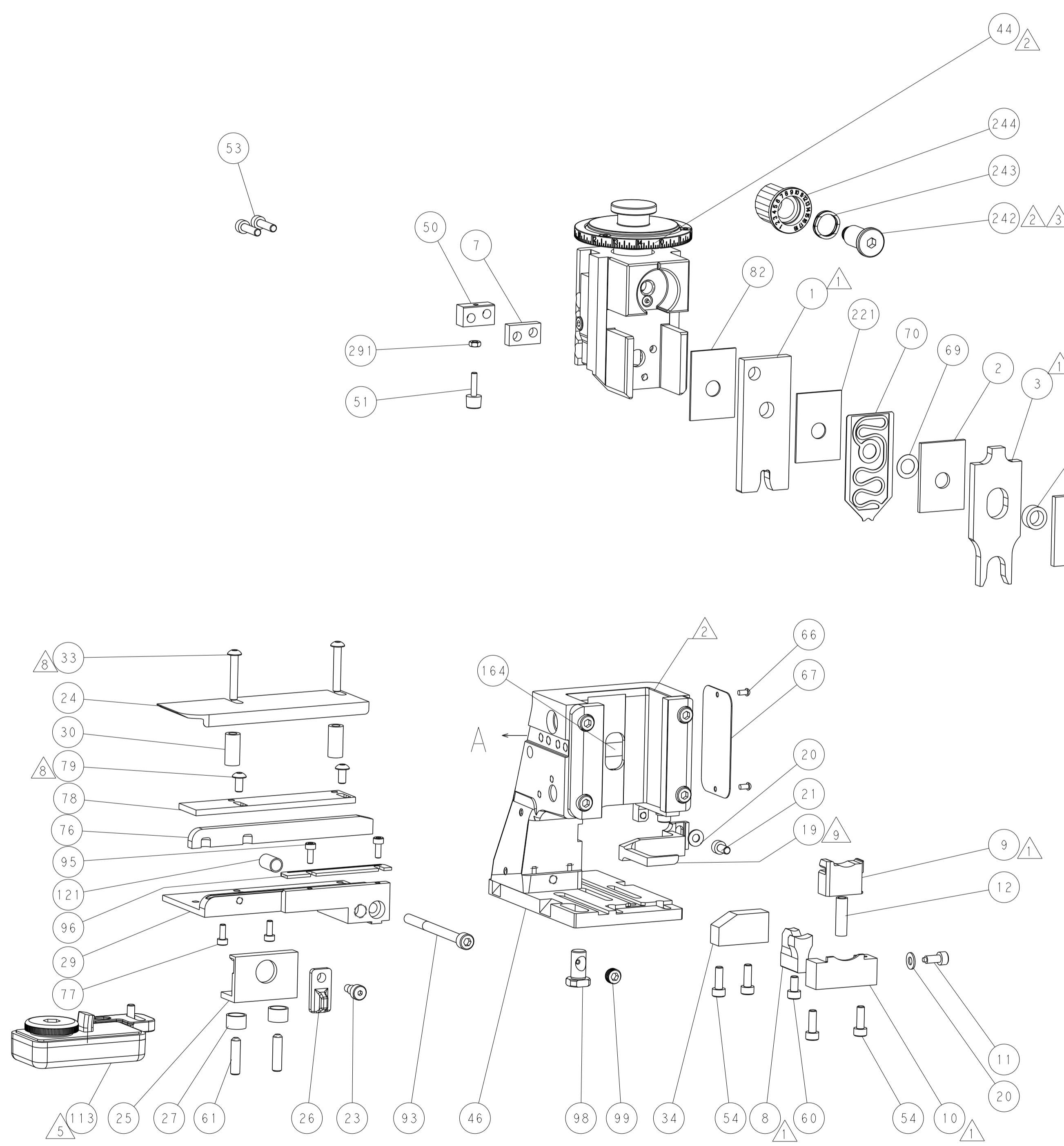
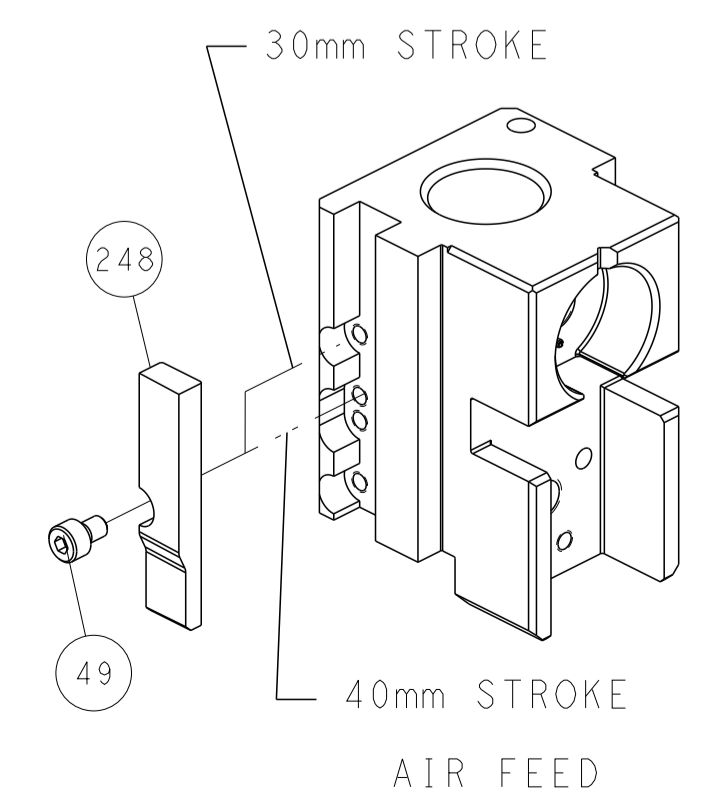


FEED SPRING SETTING POSITION
(SHOWN FROM REAR SIDE)

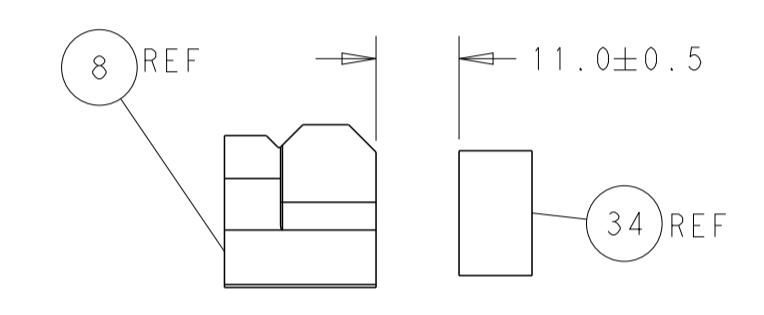


DETAIL A

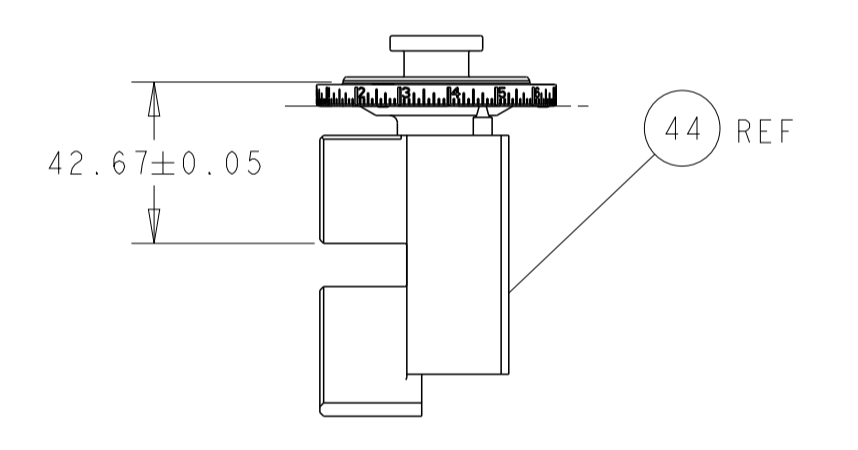
CAM POSITION



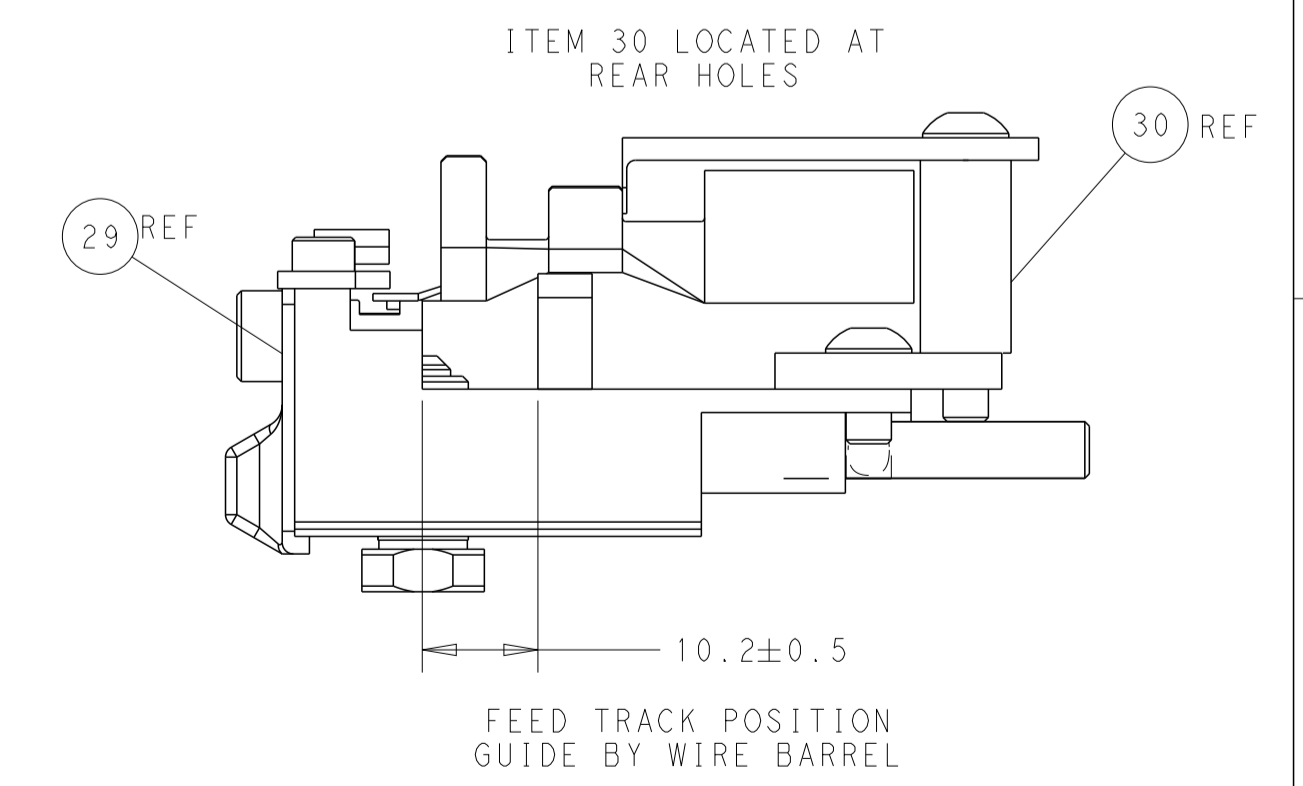
SHEAR DEPRESSOR DETAIL



TERMINAL SUPPORT LOCATION



RAM SET-UP



FEED TRACK POSITION GUIDE BY WIRE BARREL

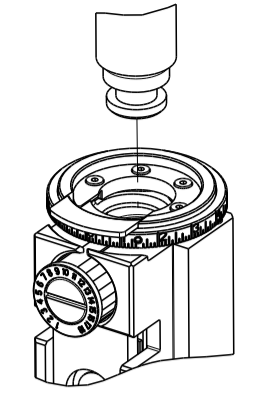
ATLANTIC VERSION
 Shown on sheets 1 of 4 & 2 of 4
 (Pacific version shown on sheets 3 of 4 & 4 of 4)

DIMENSIONS:		TOLERANCES UNLESS OTHERWISE SPECIFIED:		DWG: H. HUANG 26NOV2012		TE Connectivity	
mm	0 PLC ±	1 PLC ±	2 PLC ±	3 PLC ±	4 PLC ±	Harrisburg, PA 17105-3608	
MATERIAL:		FINISH:		NAME: Ocean Side Feed Applicator		RESTRICTED TO:	
				SIZE: A1		CAGE CODE: 00779	
				DRAWING NO: 2151794		SCALE: 1:2	
				SHEET: 2 OF 4		REV: L1	

THIS DRAWING IS UNPUBLISHED. RELEASED FOR PUBLICATION 20
 COPYRIGHT 20 BY TYCO ELECTRONICS CORPORATION. ALL RIGHTS RESERVED.

PART NUMBER	REVISION	DESCRIPTION	FEED TYPE
2-2151794-2	L	FINE CRIMP HEIGHT ADJUST	PNEUMATIC
7-2151794-7	C	CRIMP TOOLING KIT	-

PACIFIC VERSION TERMINATOR
 INTERFACE ADAPTER



APPLICATOR DATA

CRIMP	SIZE	TYPE
WIRE	5.08 mm [.200]	F
INSUL	10.92 mm [.430]	O

APPLICATOR INSTRUCTIONS
 408-35042

TERMINAL DATA: TE TERMINAL TE CRIMP SPECIFICATION

TERMINAL NAME: AMP MCP 9.5 FLAT TYPE RECEPTACLE, SWS

WIRE STRIP LENGTH	INSULATION DIAMETER RANGE
9.70-10.30 mm [.382-.406 IN]	∅ 1.2

TERMINAL APPLICATION SPECIFICATION 114-18269

TERMINALS APPLIED 5/10

TE TERMINAL	TE TERMINAL	TE SEAL	TE SEAL
1-967590-1	1-967590-2		1355437-1
			1355437-2

TERMINAL DATA: TE TERMINAL TE CRIMP SPECIFICATION

TERMINAL NAME: AMP MCP 9.5 FLAT TYPE RECEPTACLE, SWS

WIRE STRIP LENGTH	INSULATION DIAMETER RANGE
8.50-9.50mm [.335-.374 IN]	∅ 1.2

TERMINAL APPLICATION SPECIFICATION 114-18075

TERMINALS APPLIED 5/10

TE TERMINAL	TE TERMINAL	TE SEAL	TE SEAL
962938-1	2-962938-1		1355437-1
			1355437-2

WIRE SIZE	CRIMP HEIGHT mm [INCH]	CRIMP HEIGHT REFERENCE SETTING
10.00mm2	3.84 +/- 0.05 [.151 +/- .002]	2.7
6.00mm2	3.22 +/- 0.05 [.127 +/- .002]	9.6

WIRE SIZE	CRIMP HEIGHT mm [INCH]	CRIMP HEIGHT REFERENCE SETTING
10.00mm2	3.82 +/- 0.10 [.150 +/- .004]	2.9
6.00mm2	3.20 +/- 0.05 [.126 +/- .002]	9.8

- 1 RECOMMENDED SPARE PARTS
- 2 REFER TO SUPPLIED INSTRUCTION SHEET FOR CLEANING, LUBRICATION AND STORAGE OF APPLICATOR.
- 3 APPLY PART NUMBER 2-23419-6 LOCTITE TO THREADS OF ITEM 242.
- 4 CRIMP HEIGHT REFERENCE SETTING WAS THE SETTING USED WHEN THE APPLICATOR WAS QUALIFIED AT THE FACTORY. ADJUSTMENT MAY BE NECESSARY WHEN RUNNING APPLICATOR IN THE FIELD.
- 5 TERMINAL LUBRICANT IS RECOMMENDED.
- 6. UNLESS SPECIFIED OTHERWISE TORQUE VALUES SHALL BE USED PER DOCUMENT, 101-35000.
- 7 APPLY TORQ-SEAL IN ALLEN SOCKET TO FILL HOLE AFTER FLAT HD HAS BEEN ADJUSTED TO CORRECT HEIGHT AT QUALIFICATION.
- 8 CUT TO LENGTH AT ASSEMBLY.
- 9 RELOCATE ITEM 19 TO BACK OF APPLICATOR .
- 10 TERMINAL PITCH NOT COMPATIBLE WITH MECHANICAL FEED.
- 11 FEED PAWL WILL REST ON STRIP GUIDE.
- 12 REFER TO 114 APPLICATION SPECIFICATION FOR CORRECT INSULATION DIAMETER FOR SEAL BEING APPLIED.

***WARNING**
 ON INSTALLATION, SET WIRE DISC TO CRIMP HEIGHT REFERENCE SETTING FOR LARGEST WIRE SIZE. CRIMP HEIGHT REFERENCE SETTINGS GREATER THAN THE VALUE SHOWN MAY CAUSE DAMAGE TO THE CRIMP TOOLING. REFER TO THE INSTRUCTION SHEET FOR PROPER SETUP AND ADJUSTMENTS.

PACIFIC VERSION
 Shown on sheets 3 of 4 & 4 of 4
 (Atlantic version shown on sheets 1 of 4 & 2 of 4)

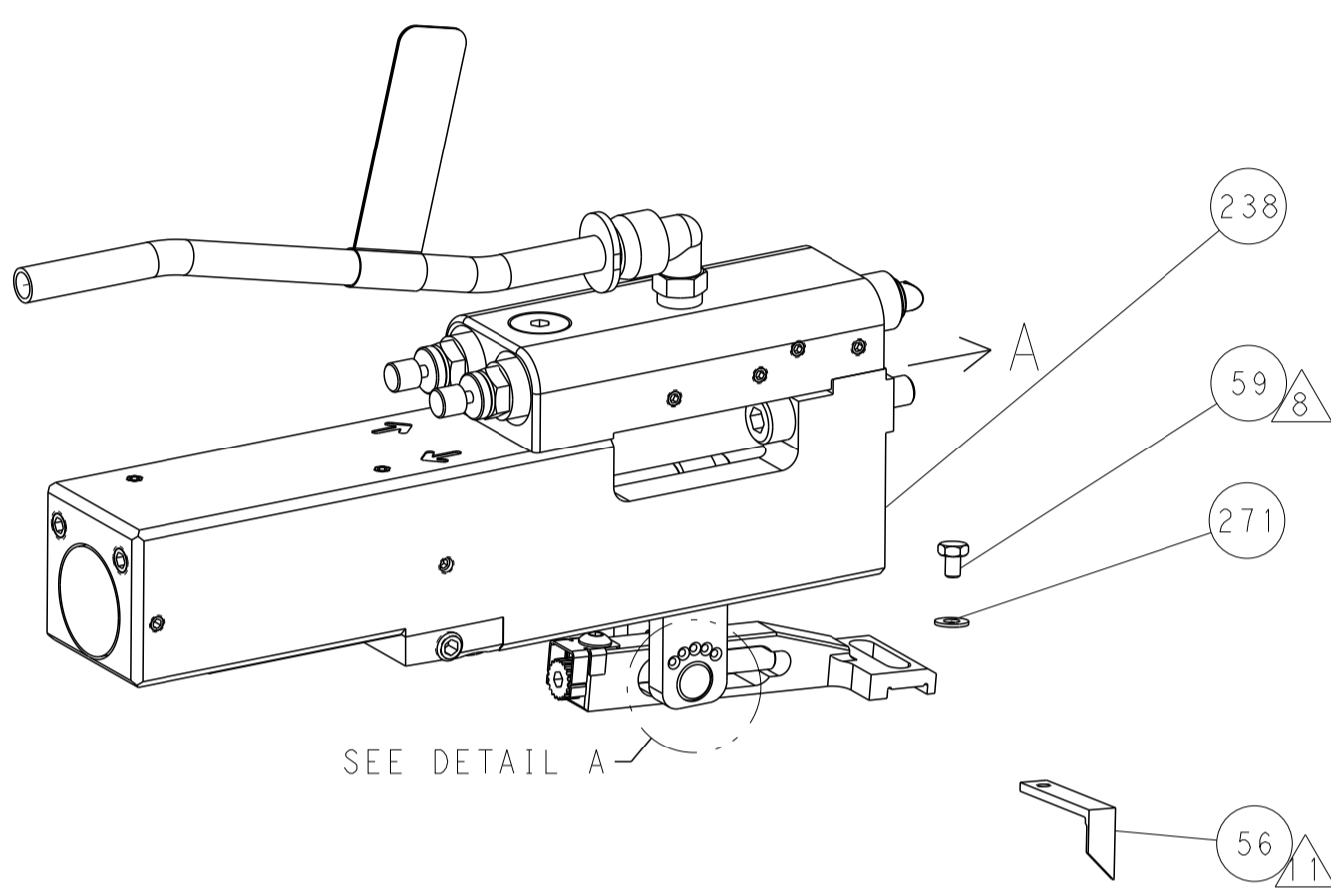
LOC	DIST	REV	LTN	DESCRIPTION	DATE	OWN	APVD
A	66			SEE SHEET 1			
-	1	5018030-1		NUT, HEX, REG, RoHS, M3			291
-	1	2119082-7		CAM, SNAIL, INSULATION ADJUSTMENT			244
-	1	2079764-1		WASHER, WAVE SPRING, CREST-TO-CREST			243
3	1	2119083-1		RETAINER, INSULATION DIAL			242
-	1	2844940-6		AIR FEED MODULE			238
-	1	455888-9		SPACER, CRIMPER			221
-	REF	994970-2		COUNTER, MAGNETIC			164
-	1	2119641-2		FEED CAM, AIR FEED			151
-	1	2168083-8		SCR, SKT HD CAP, RoHS, M4 X 16			144
-	4	2168083-9		SCR, SKT HD CAP, RoHS, M4 X 20			143
-	1	2-1803583-7		APPLICATOR BASIC ASSEMBLY, SF			141
-	1	1803516-2		RAM ASSEMBLY, SF PACIFIC			140
-	1	1-22281-8		SPRING, COMPRESSION			121
5	1	2119955-1		ASSY, LUBRICATOR, SIDE FEED			113
-	1	2844908-1		SCREW, LOCKING			99
-	1	2844907-1		POST, LOCKING			98
-	1	1-690438-0		FRONT STRIP GUIDE			96
-	2	2168083-1		SCR, SKT HD CAP, RoHS, M3 X 8.0			95
-	1	2168083-6		SCR, SKT HD CAP, RoHS, M5 X 65			93
-	1	455888-9		SPACER, CRIMPER			82
8	2	2079383-4		SCR, BHSC, RoHS (M4 X 8)			79
-	1	1803096-1		EXTENSION PLATE			78
-	2	2168083-1		SCR, SKT HD CAP, RoHS, M3 X 8.0			77
-	1	1633782-7		FENCE			76
-	1	1803607-3		DOCUMENTATION PACKAGE			71
-	1	1-2119791-2		DEPRESSOR, WIRE			70
-	1	2119943-1		WASHER, SPACER			69
-	1	2119740-1		TAG IDENTIFICATION			67
-	2	2168078-1		SCREW, DRIVE, RH, RoHS, 2 x .188			66
-	2	2-18032-5		SCR, SET, FLT PNT, M5 X 20.0			61
8	1	5-18022-5		SCR, HEX HD CAP, M4 X 6.0			59
7	1	1-2168083-3		SCR, SKT HD CAP, RoHS, M3 X 16			57
11	1	1-1338683-1		FEED PAWL			56
-	2	2168083-8		SCR, SKT HD CAP, RoHS, M4 X 16			53
-	1	5018030-1		NUT, HEX, REG, RoHS, M3			52
-	1	1-811242-0		BUMPER, HOLD DOWN			51
-	1	690753-2		SPACER, TONKER			50
-	1	18023-9		SCR, SKT HD CAP M4 X 6.0			49
-	1	1803602-2		SCR, BHSC, RoHS (M8 X 40)			41
-	1	1752356-7		SUPPORT, TERMINAL			34
8	2	1-2079383-3		SCR, BHSC, RoHS (M4 X 25)			33
-	2	3-2844962-7		SPACER, CYLINDRICAL, STRIP GUIDE			30
-	1	2844938-9		PLATE, STRIP GUIDE			29
-	1	3-455888-2		SPACER, CRIMPER			28
-	2	22283-1		SPRING, COMPRESSION			27
-	1	356835-1		LEVER, DRAG RELEASE			26
-	1	240792-1		DRAG, TERMINAL			25
-	1	1320928-6		STRIP GUIDE			24
-	1	980371-4		SCR, SKT HD SHLDR 5.0 DIA X 6.0			23
-	1	2168083-2		SCR, SKT HD CAP, RoHS, M4 X 8.0			21
-	2	1-18028-2		WASHER, FLAT, REG M4			20
9	1	1803013-1		STRIPPER, SIDE FEED			19
-	1	4-22280-7		SPRING, COMPRESSION			12
-	1	1-356885-4		STOP, SHEAR			11
1	1	2-2119805-3		SHEAR HOLDER, FRONT			10
1	1	1-318059-3		FLOATING SHEAR, FRONT			9
1	1	1-1633930-3		ANVIL, COMBINATION			8
-	1	2-240641-9		SPACER			7
-	-	-		-			6
-	1	1803080-3		DEPRESSOR, SHEAR			5
-	1	2-238011-9		BLOCK, CRIMPER SPACER			4
1	1	1803453-2		CRIMPER, INSULATION O			3
-	1	2-455888-0		SPACER, CRIMPER			2
1	1	5-568176-0		CRIMPER, WIRE			1

DIMENSIONS:	TOLERANCES UNLESS OTHERWISE SPECIFIED:	DATE	REV	DESCRIPTION	ITEM NO
mm	0 PLC ± 1 PLC ± 2 PLC ± 3 PLC ± 4 PLC ± ANGLES ± FINISH	26NOV2012	1	TE Connectivity Harrisburg, PA 17105-3608	
		26NOV2012	2	Ocean Side Feed Applicator	
		26NOV2012	3		
			4		
			5		
			6		
			7		
			8		
			9		
			10		
			11		
			12		
			13		
			14		
			15		
			16		
			17		
			18		
			19		
			20		
			21		
			22		
			23		
			24		
			25		
			26		
			27		
			28		
			29		
			30		
			31		
			32		
			33		
			34		
			35		
			36		
			37		
			38		
			39		
			40		
			41		
			42		
			43		
			44		
			45		
			46		
			47		
			48		
			49		
			50		
			51		
			52		
			53		
			54		
			55		
			56		
			57		
			58		
			59		
			60		
			61		
			62		
			63		
			64		
			65		
			66		
			67		
			68		
			69		
			70		
			71		
			72		
			73		
			74		
			75		
			76		
			77		
			78		
			79		
			80		
			81		
			82		
			83		
			84		
			85		
			86		
			87		
			88		
			89		
			90		
			91		
			92		
			93		
			94		
			95		
			96		
			97		
			98		
			99		
			100		

LOC	DIST	REV	DESCRIPTION	DATE	OWN	APVD
A	66		SEE SHEET 1			

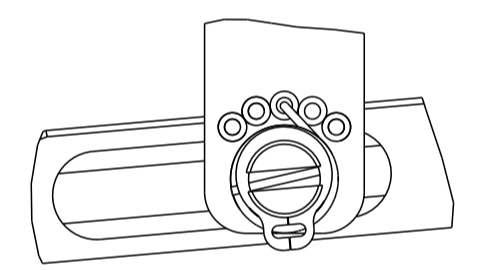
FEED TYPE

PNEUMATIC



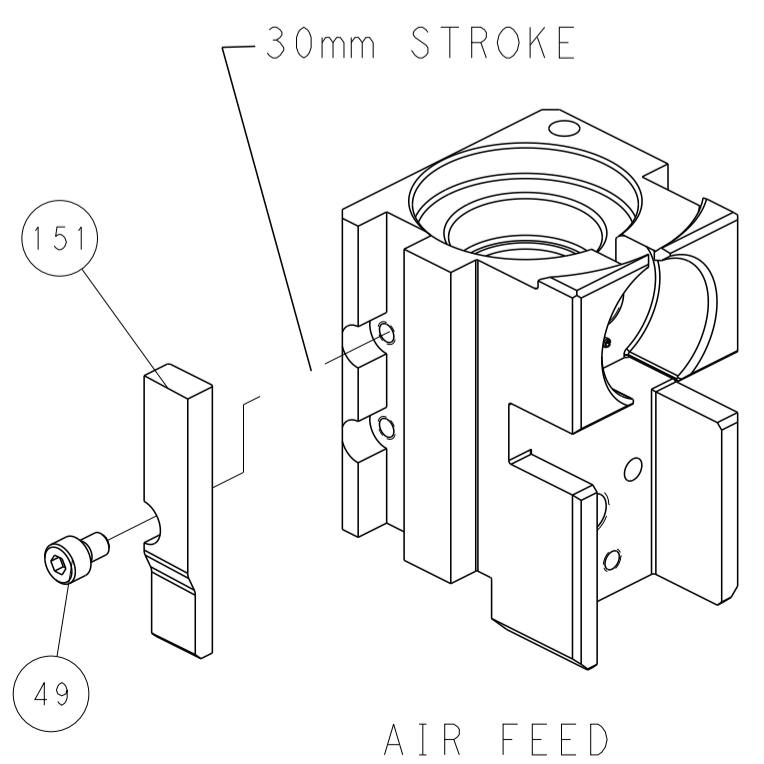
SEE DETAIL A

FEED SPRING SETTING POSITION (SHOWN FROM REAR SIDE)

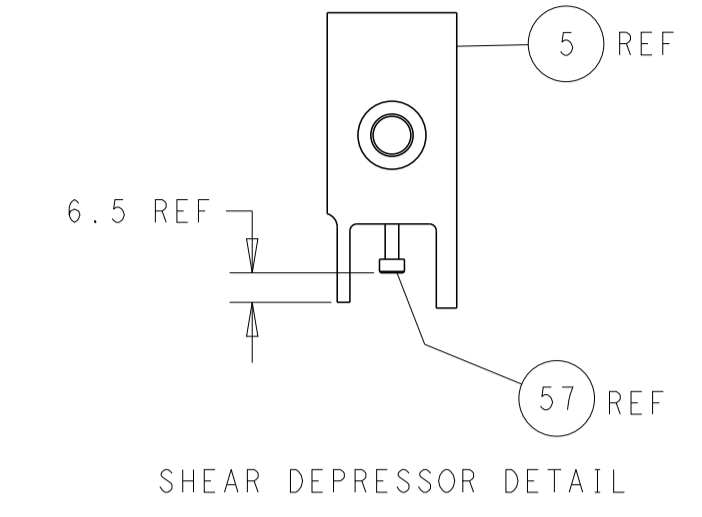
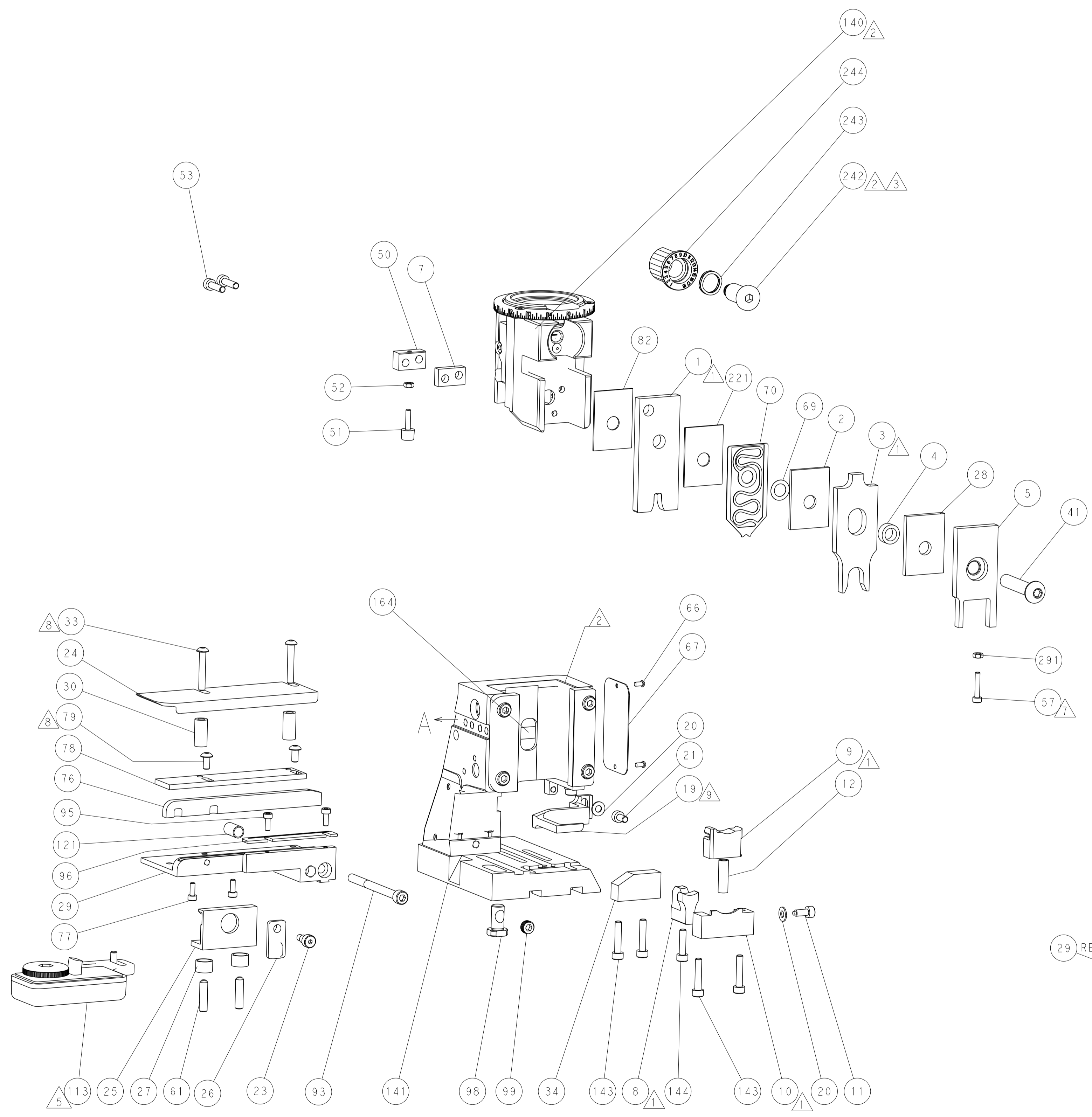


DETAIL A

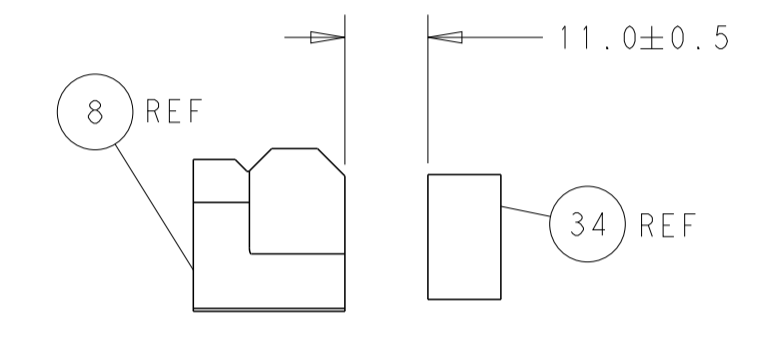
CAM POSITION



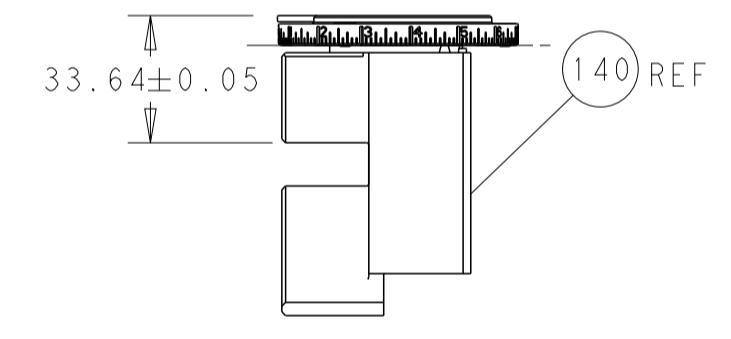
AIR FEED



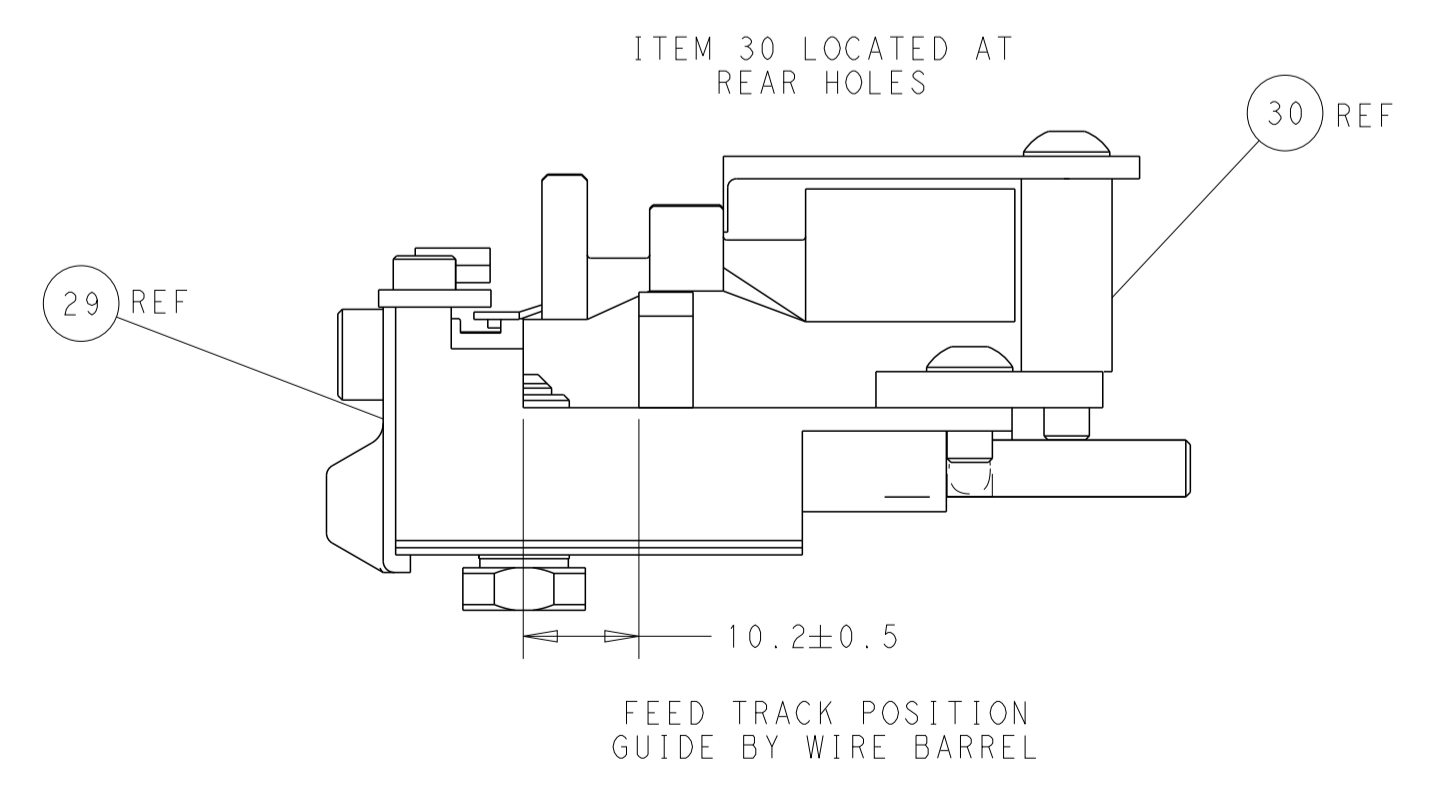
SHEAR DEPRESSOR DETAIL



TERMINAL SUPPORT LOCATION



RAM SET-UP



FEED TRACK POSITION GUIDE BY WIRE BARREL

PACIFIC VERSION
 Shown on sheets 3 of 4 & 4 of 4
 (Atlantic version shown on sheets 1 of 4 & 2 of 4)

<small>THIS DRAWING IS UNPUBLISHED. RELEASED FOR PUBLICATION 20. COPYRIGHT 20 BY TYCO ELECTRONICS CORPORATION. ALL RIGHTS RESERVED.</small>		DWN: H. HUANG 26NOV2012 CHK: S. XI 26NOV2012 APVD: S. XI 26NOV2012	TE Connectivity Harrisburg, PA 17105-3608
DIMENSIONS: mm TOLERANCES UNLESS OTHERWISE SPECIFIED: 0 PLC ± 1 PLC ± 2 PLC ± 3 PLC ± 4 PLC ± ANGLES ± MATERIAL: - FINISH: -		NAME: Ocean Side Feed Applicator SIZE: A1 CAGE CODE: 00779 DRAWING NO: 2151794 WEIGHT: - SCALE: 1:2 SHEET: 4 OF 4 REV: 1	RESTRICTED TO: -