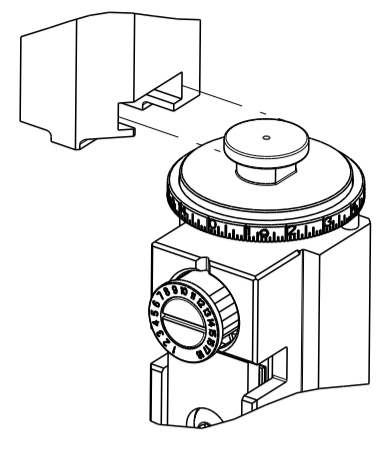


PART NUMBER	REVISION	DESCRIPTION	FEED TYPE
2150648-1	C	FINE CRIMP HEIGHT ADJUST	MECHANICAL
2150648-2	C	FINE CRIMP HEIGHT ADJUST	PNEUMATIC
7-2150648-7	A	CRIMP TOOLING KIT	-

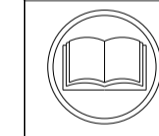
ATLANTIC VERSION TERMINATOR
INTERFACE ADAPTER



APPLICATOR DATA		
CRIMP	SIZE	TYPE
WIRE	2.79 mm [.110]	F
INSUL	-	-
APPL INSTRUCTIONS 408-35043		

TERMINAL DATA: TE TERMINAL		TE CRIMP SPECIFICATION	
TERMINAL NAME: SHUR PLUG, .156 DIA			
WIRE STRIP LENGTH		INSULATION DIAMETER RANGE	
3.56-4.32 mm [.140-.170 IN]		∅	
TERMINAL APPLICATION SPECIFICATION	114-2042	-	-
TERMINALS APPLIED			
TE TERMINAL	TE TERMINAL	TE TERMINAL	TE TERMINAL
61802-1	1742083-1		

WIRE SIZE	CRIMP HEIGHT mm [INCH]	CRIMP HEIGHT REFERENCE SETTING
14 AWG	2.01 +/- 0.05 [.079 +/- .002]	4.8
16 AWG	1.75 +/- 0.05 [.069 +/- .002]	7.6
18 AWG	1.62 +/- 0.05 [.064 +/- .002]	8.9



- RECOMMENDED SPARE PARTS
- REFER TO SUPPLIED INSTRUCTION SHEET FOR CLEANING, LUBRICATION AND STORAGE OF APPLICATOR.
- APPLY PART NUMBER 1-23419-5 LOCTITE TO THREADS OF ITEM 180.
- CRIMP HEIGHT REFERENCE SETTING WAS THE SETTING USED WHEN THE APPLICATOR WAS QUALIFIED AT THE FACTORY. ADJUSTMENT MAY BE NECESSARY WHEN RUNNING APPLICATOR IN THE FIELD.
- 5. UNLESS SPECIFIED OTHERWISE TORQUE VALUES SHALL BE USED PER DOCUMENT, 101-35000.
- LUBRICANT IS RECOMMENDED.
- POSITION ITEM 51 OR 58 AT END OF TERMINAL RECEPTACLE FOR PROPER FEED.

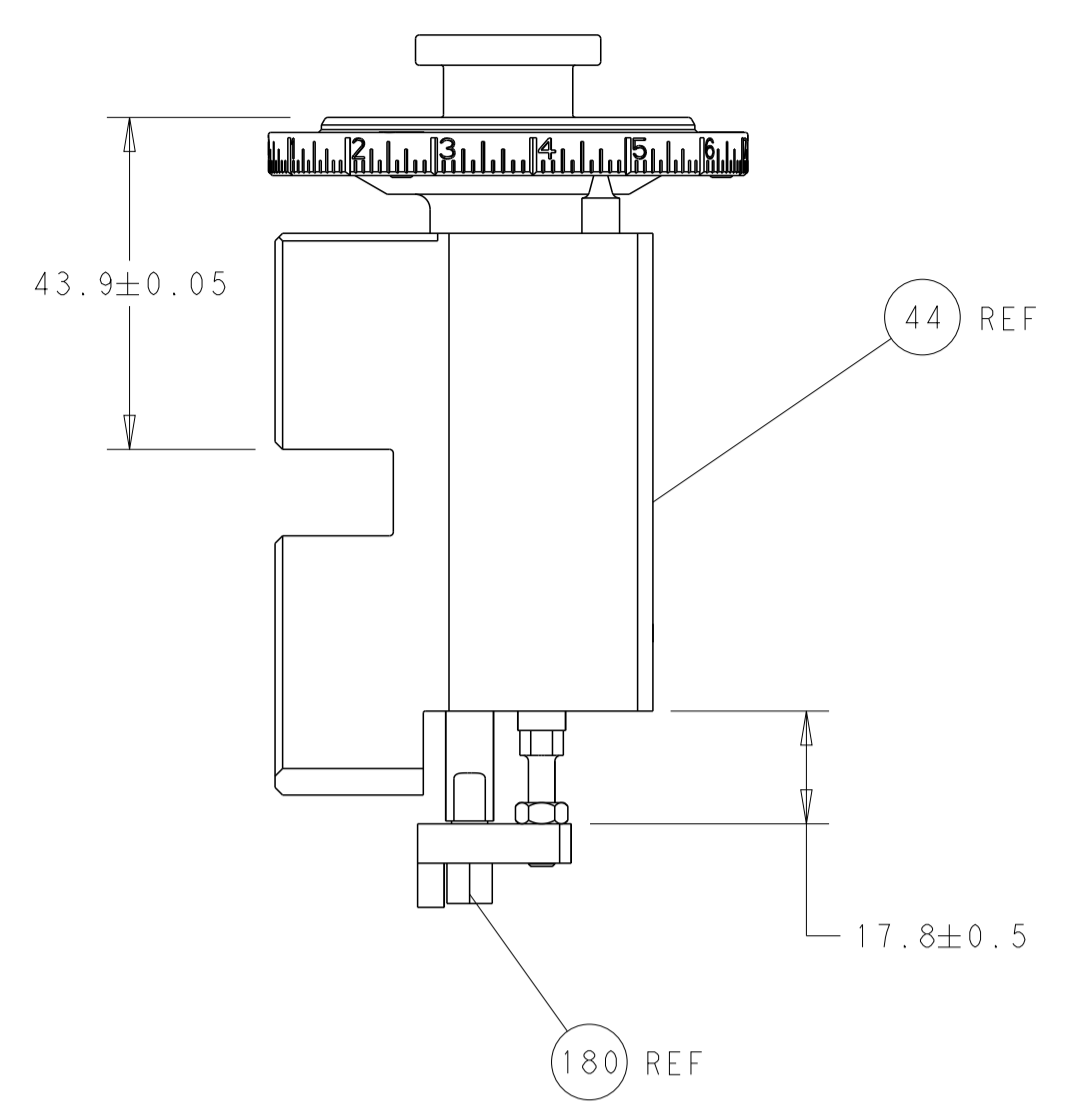
***WARNING**
ON INSTALLATION, SET WIRE DISC TO CRIMP HEIGHT REFERENCE SETTING FOR LARGEST WIRE SIZE. CRIMP HEIGHT REFERENCE SETTINGS GREATER THAN THE VALUE SHOWN MAY CAUSE DAMAGE TO THE CRIMP TOOLING, REFER TO THE INSTRUCTION SHEET FOR PROPER SETUP AND ADJUSTMENTS.

LOC	DIST	REVISIONS					
A	66	P	LTN	DESCRIPTION	DATE	DWN	APVD
		B		ECR-18-014485	12SEP2018	FL	TE
		B1		ECR-20-002646	24FEB2020	JWC	GB
		B2		ECR-21-109619	19AUG2021	LG	TE
		C		ECR-24-211320	10JUN2024	LG	GB

-	1	-	2119641-1	FEED CAM, AIR FEED	248	
-	-	1	2119580-1	MECHANICAL FEED ASSEMBLY	239	
-	1	-	2844940-3	AIR FEED MODULE	238	
	-	1	1752354-6	STANDOFF, HOLD-DOWN	180	
-	1	1	6-993111-6	PIN, SLOTTED SPRING 3.0 X 14.0	177	
-	1	1	8-22280-7	SPRING, COMPRESSION	176	
-	1	1	1752353-2	GUIDE PIN, HOLDDOWN	175	
-	1	1	1901680-2	GUIDE PIN, HOLDDOWN	174	
-	REF	REF	994970-2	COUNTER, MAGNETIC	164	
	-	1	2119955-2	ASSY, LUBRICATOR, END FEED	84	
-	1	1	455888-6	SPACER, CRIMPER -	82	
-	1	1	1803607-4	DOCUMENTATION PACKAGE	71	
-	2	2	2-18032-2	SCR, SET, FLT PNT, M3 X 10.0	70	
-	1	1	2119740-1	TAG, IDENTIFICATION	67	
-	2	2	2168078-1	SCREW, DRIVE, RH, RoHS, 2 x .188	66	
-	1	1	1901681-5	HOLDDOWN, TERMINAL	65	
-	2	2	2168400-5	SHCS, LOW HEAD, RoHS, M4 X 20	64	
-	1	1	2168083-2	SCR, SKT HD CAP, RoHS, M4 X 8.0	60	
-	1	1	5-18022-5	SCR, HEX HD CAP, M4 X 6.0	59	
	-	1	2063961-1	FEED FINGER	58	
-	3	3	2168400-4	SHCS, LOW HEAD, RoHS, M4 X 8	57	
-	2	2	2-2168083-5	SCR, SKT HD CAP, RoHS, M4 X 14	56	
-	2	2	5018030-1	NUT, HEX, REG, RoHS, M3	54	
-	2	2	986965-8	NUT, LOCK, HEX, TORQUE (M4)	53	
-	1	1	1-5018030-0	NUT, HEX, REG, RoHS, M3.5	52	
	-	1	2063961-1	FEED FINGER	51	
-	1	2	18023-9	SCR, SKT HD CAP M4 X 6.0	49	
-	-	1	2119652-1	FEED CAM, PRE FEED	48	
-	-	1	2119653-1	FEED CAM, POST FEED	47	
-	1	1	2119655-5	APPLICATOR BASIC ASSEMBLY, EF	46	
-	1	1	1803517-1	RAM ASSEMBLY, EF ATLANTIC	44	
-	1	1	1803602-3	SCR, BHSC, RoHS (M8 X 12)	41	
-	7	7	1-18028-2	WASHER, FLAT, REG M4	33	
-	1	1	1-2168083-5	SCR, SKT HD CAP, RoHS, M4 X 30	32	
-	1	1	2168083-9	SCR, SKT HD CAP, RoHS, M4 X 20	31	
-	2	2	2168083-2	SCR, SKT HD CAP, RoHS, M4 X 8.0	29	
-	1	1	240639-1	STRIPPER (MACHINING)	27	
-	2	2	1-2168083-5	SCR, SKT HD CAP, RoHS, M4 X 30	25	
-	1	1	1-1752371-2	PLATE, STRIP GUIDE	24	
-	1	1	240825-6	PLATE, STRIP HOLD DOWN	23	
-	2	2	2-22281-3	SPRING, COMPRESSION	22	
-	1	1	1803292-4	DRAG	20	
-	2	2	1901259-5	GUIDE, LOWER STRIP	18	
-	4	4	1-2079383-1	SCR, BHSC, RoHS (M6 X 12)	17	
-	1	1	1752360-1	SPACER, HOLD-DOWN	13	
	-	1	240833-3	PLATE, REAR SHEAR	11	
	-	2	5-240645-2	SPACER, SHEAR PLATE	10	
	-	1	690796-1	PLATE-FRONT SHEAR MINI APPLICATOR	9	
	1	1	1-1333224-6	ANVIL, COMBINATION (E.F. WIRE/B ONLY)	8	
	-	1	1803109-4	BLADE, SLUG	7	
-	-	-	-	-	6	
-	1	1	3-240641-5	SPACER	5	
-	-	-	-	-	4	
-	-	-	-	-	3	
-	-	-	-	-	2	
	1	1	1	2-456408-0	CRIMPER, WIRE PREMIUM	1
-	77	2	1	PART NO	DESCRIPTION	ITEM NO

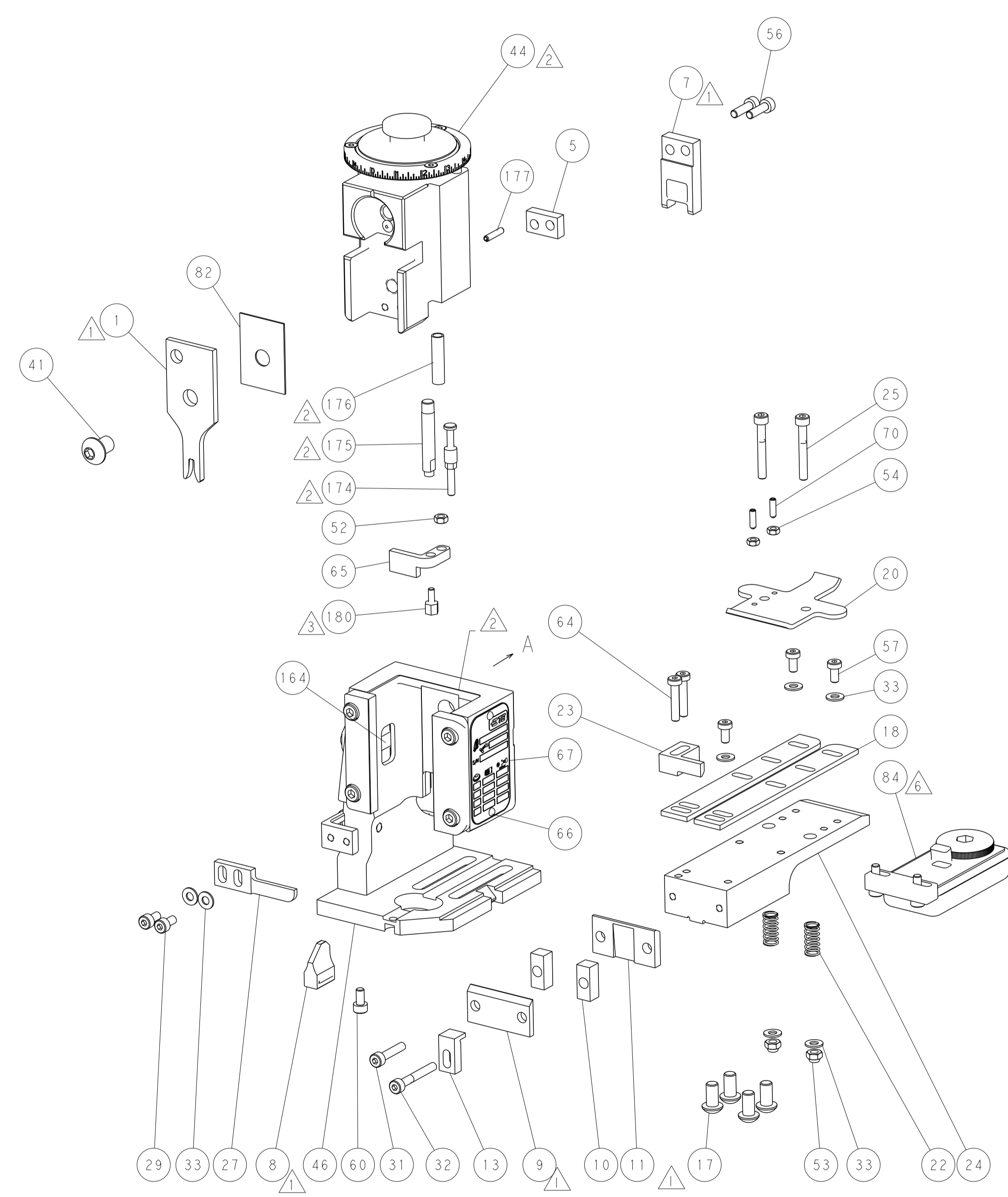
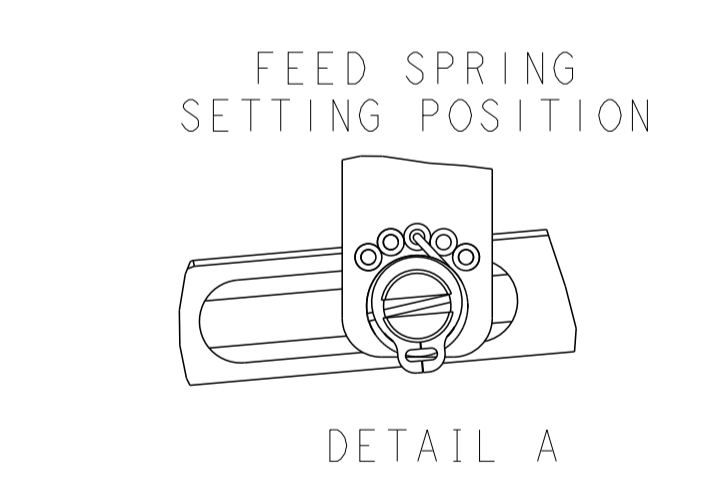
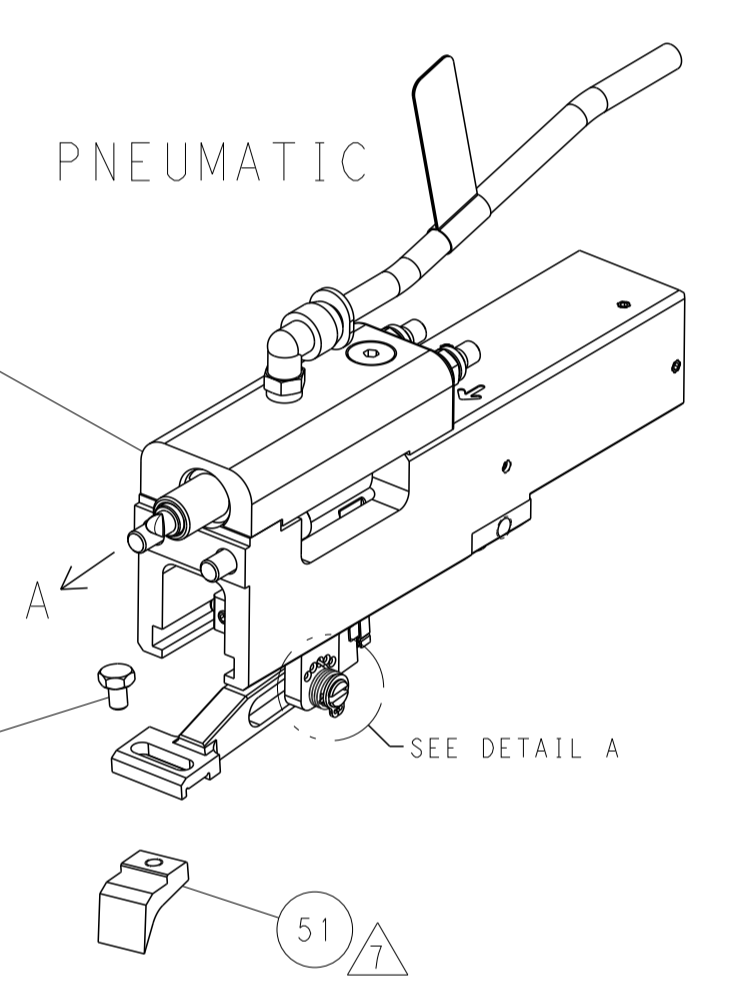
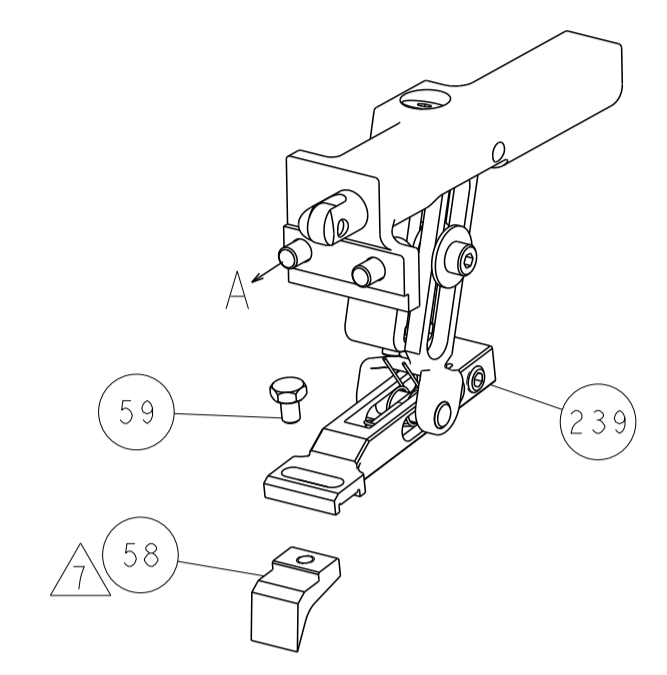
DIMENSIONS:		TOLERANCES UNLESS OTHERWISE SPECIFIED:		MATERIAL:		FINISH:	
mm	0 PLC ±	1 PLC ±	2 PLC ±	3 PLC ±	4 PLC ±	ANGLES ±	FINISH ±
Customer Accessible Production Drawing				SCALE	1:1	SHEET	1 OF 4

LOC	DIST	REV	DESCRIPTION	DATE	OWN	APVD
A	66		SEE SHEET 1			

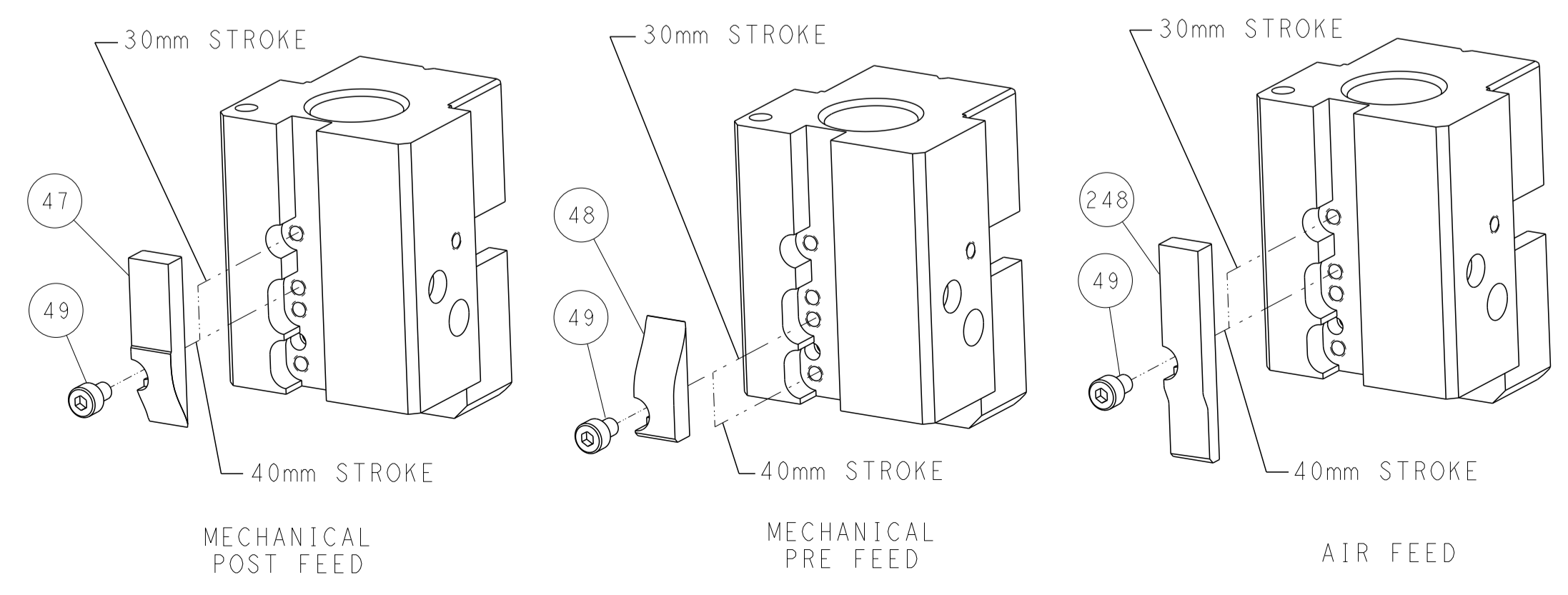


RAM AND HOLDDOWN SET-UP

FEED TYPE
MECHANICAL



CAM POSITIONS



DIMENSIONS: mm 		TOLERANCES UNLESS OTHERWISE SPECIFIED: 0 PLC ± 1 PLC ± 2 PLC ± 3 PLC ± 4 PLC ± ANGLES ± FINISH		DWN X.ZHAO 16FEB2016 CHK L.ZHANG 16FEB2016 APVD H.GUO 16FEB2016 NAME Ocean End Feed Applicator SIZE CAGE CODE DRAWING NO. RESTRICTED TO A 00779 C=2150648 Customer Accessible Production Drawing SCALE 1:1 SHEET 2 OF 4 REV C	
MATERIAL:		WEIGHT:		TE Connectivity Harrisburg, PA 17105-3608	