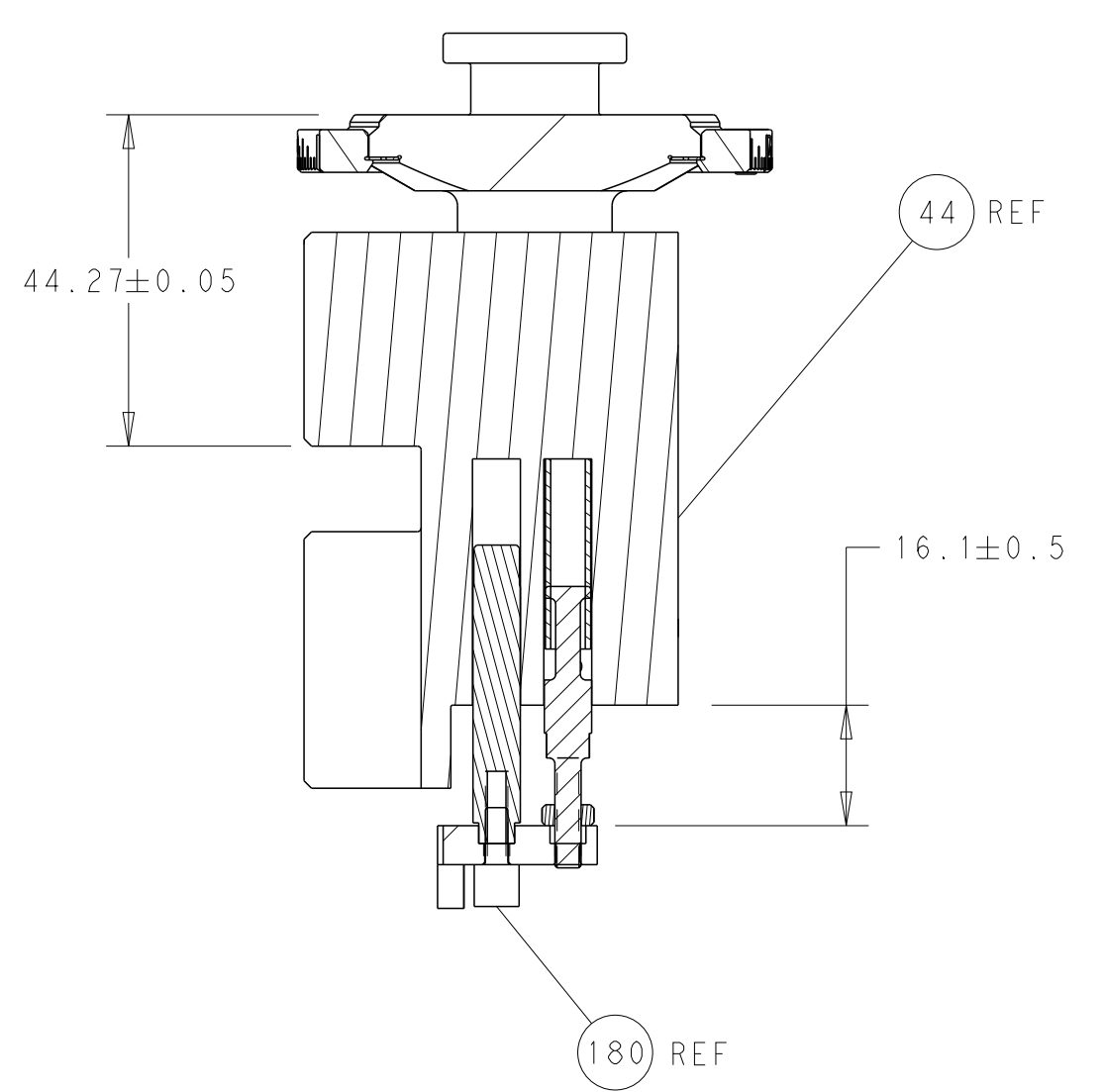


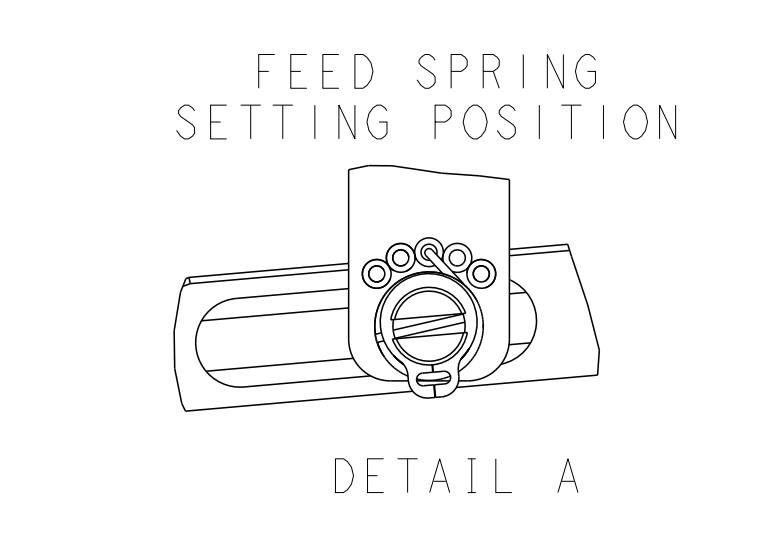
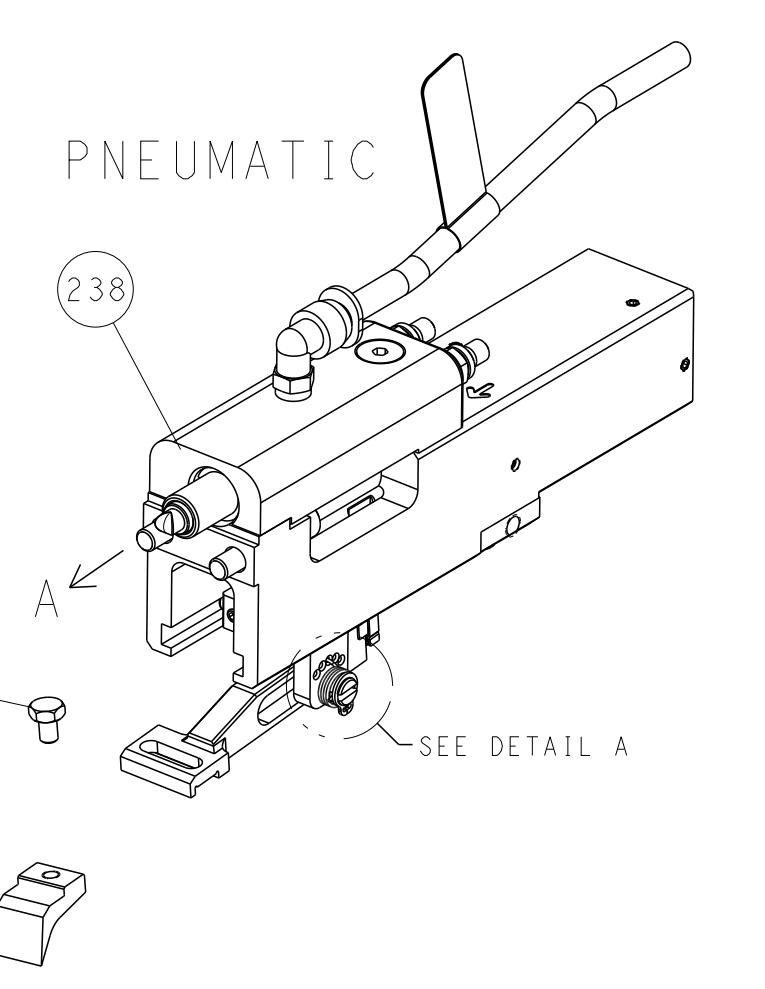
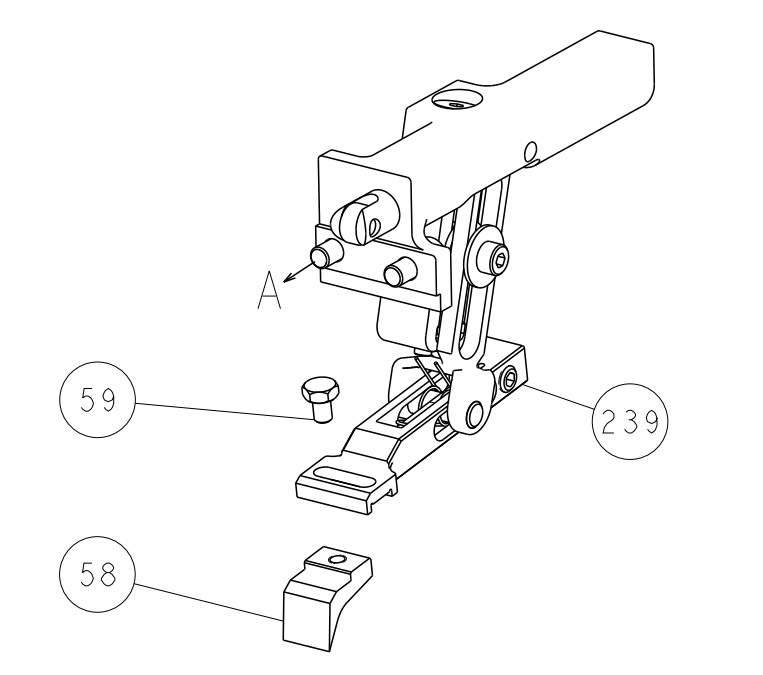
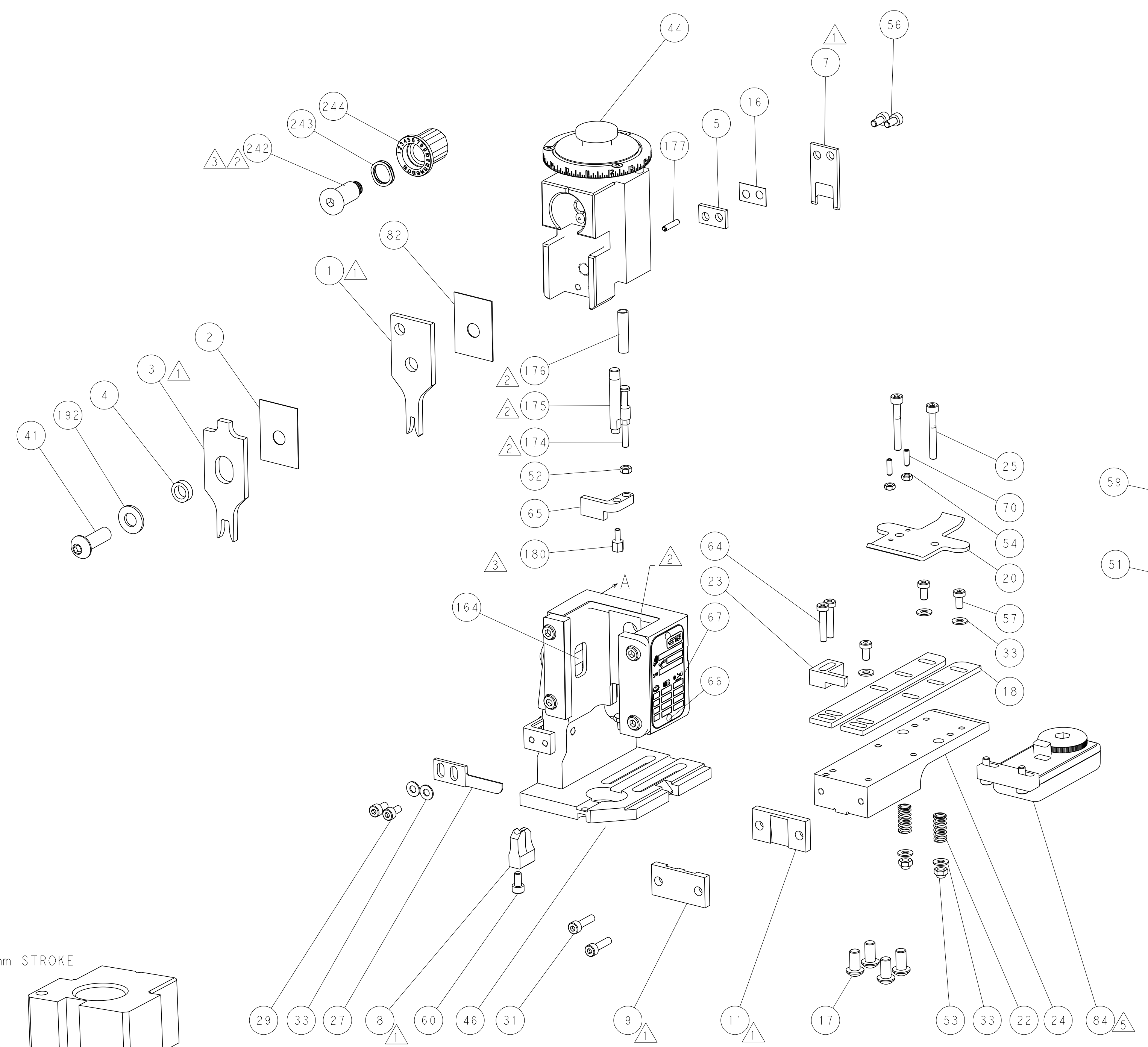


LOC	DIST	REV	DESCRIPTION	DATE	OWN	APVD
A	66		SEE SHEET 1			

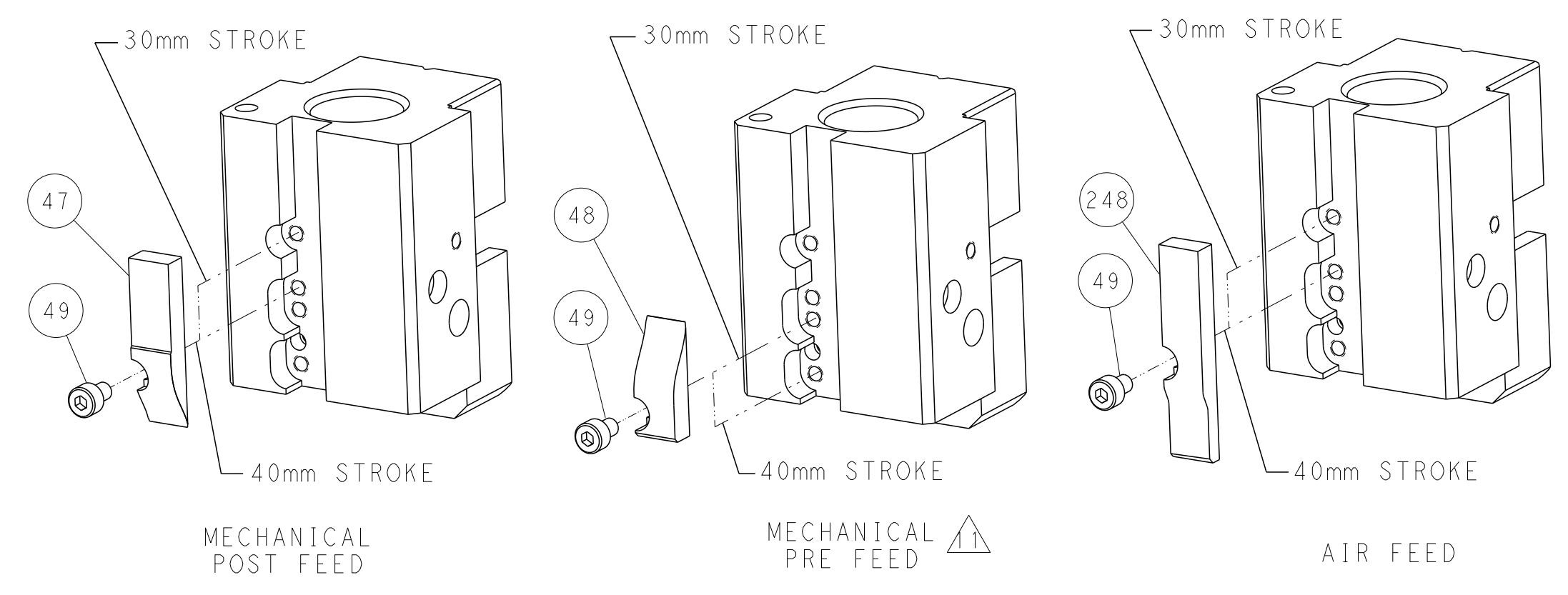


RAM AND HOLDDOWN SET-UP

# FEED TYPE MECHANICAL



# CAM POSITIONS



DIMENSIONS: mm 		TOLERANCES UNLESS OTHERWISE SPECIFIED: 0 PLC ± 1 PLC ± 2 PLC ± 3 PLC ± 4 PLC ± ANGLES ° ± FINISH		DWN X.ZHAO 24JUN2015 CHK L.ZHANG 24JUN2015 APVD H.GUO 24JUN2015 NAME PRODUCT SPEC APPLICATION SPEC WEIGHT SCALE 1:1		TE Connectivity Harrisburg, PA 17105-3608 NAME Ocean End Feed Applicator SIZE CAGE CODE DRAWING NO A1 00779 C=2150556 SHEET 2 OF 4 REV E	
Customer Accessible Production Drawing				SHEETS 3 & 4 ARE NOT REQUIRED FOR ATLANTIC VERSION			