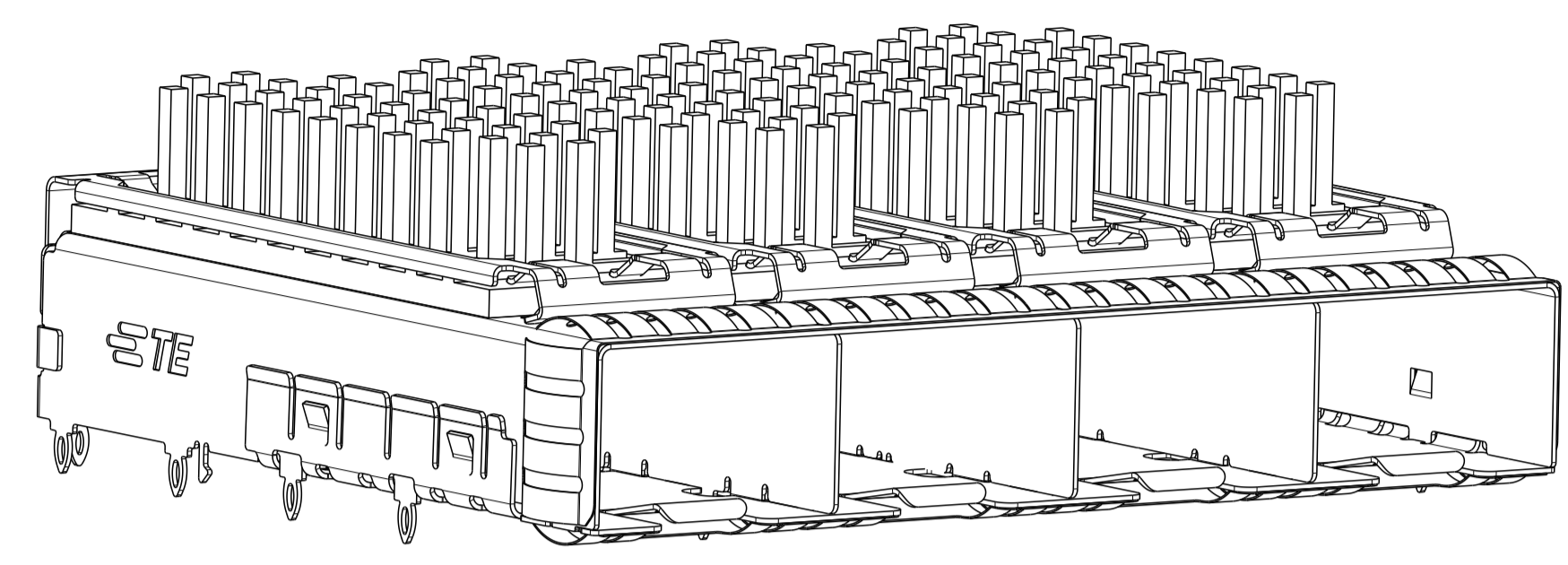
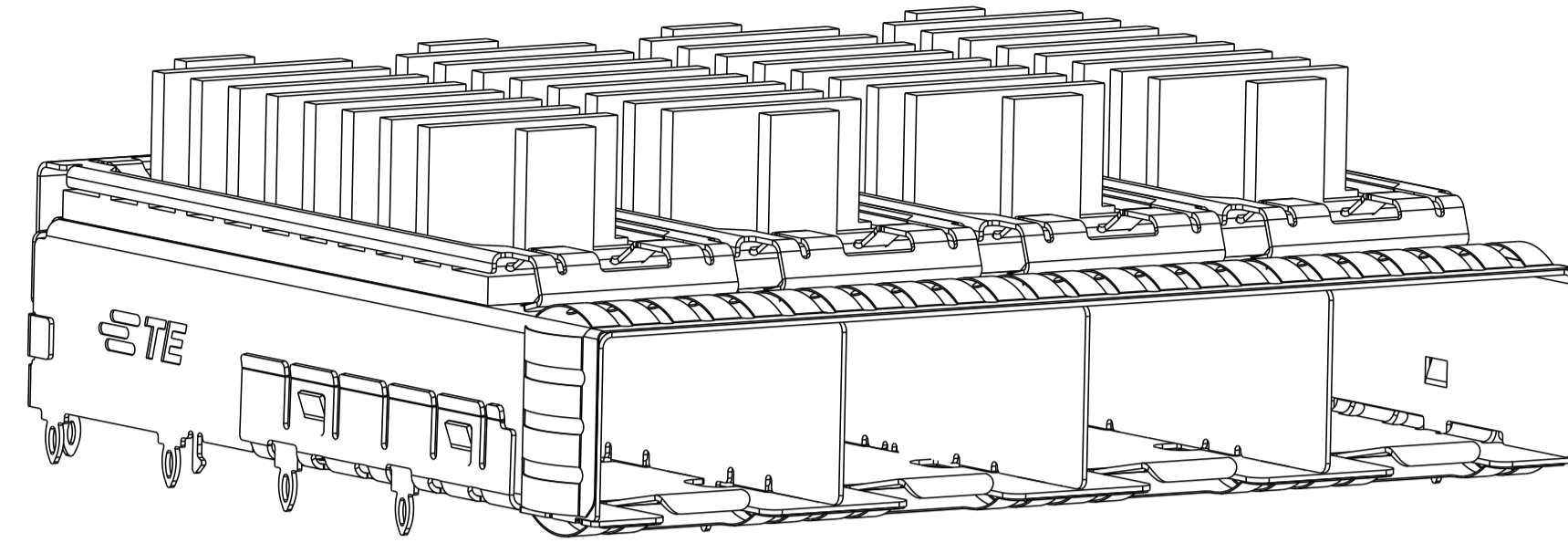


LOC	DIST	REVISIONS					
GP	00	P	LTN	DESCRIPTION	DATE	DWN	APVD
		A5		REVISED PER ECO-20-000404	09JAN2020	IT	SH
		A6		REVISED PER ECR-20-015251	28OCT2020	IT	SH
		A7		ADD NEW DASH NUMBER 1-2149730-4	02NOV2021	SZ	SZ
		A8		REVISED PER ECN-24-254436	03MAR2024	KH	SZ

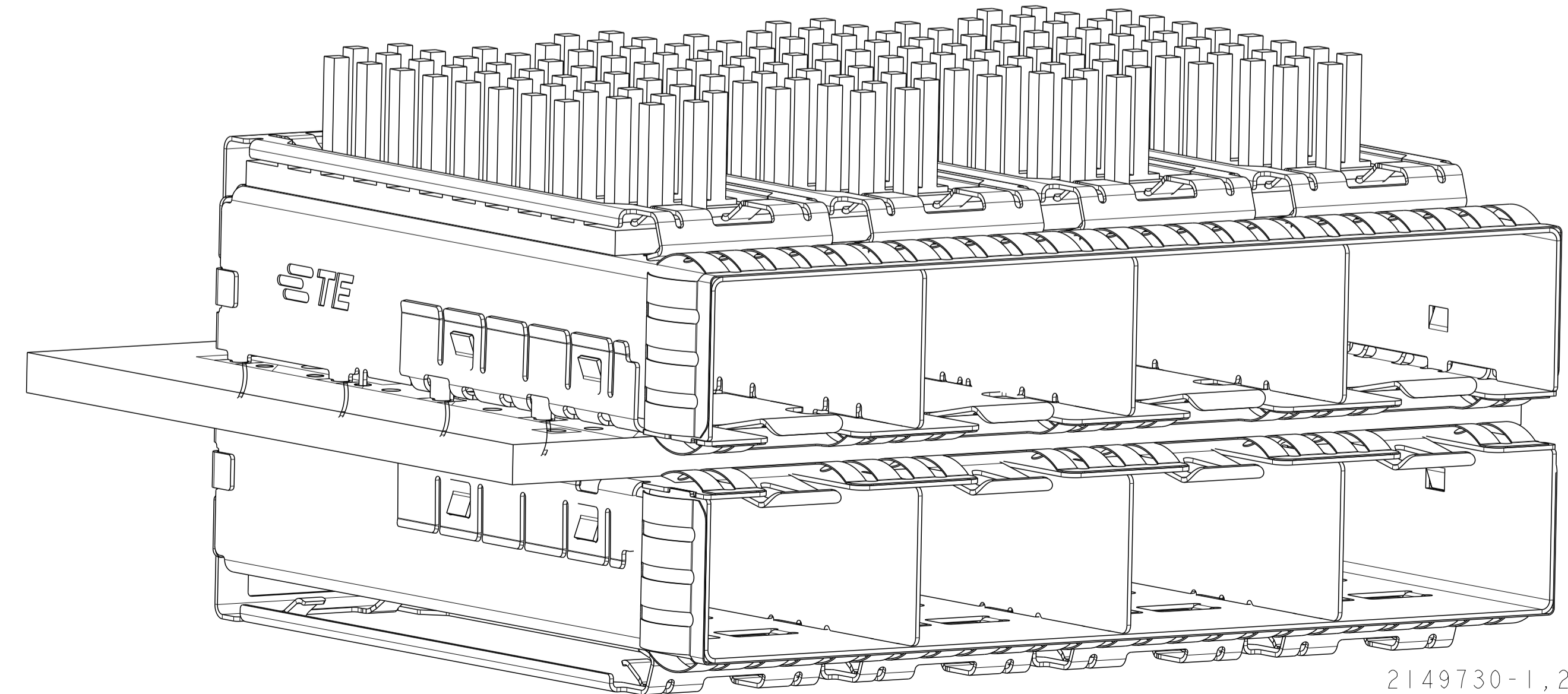
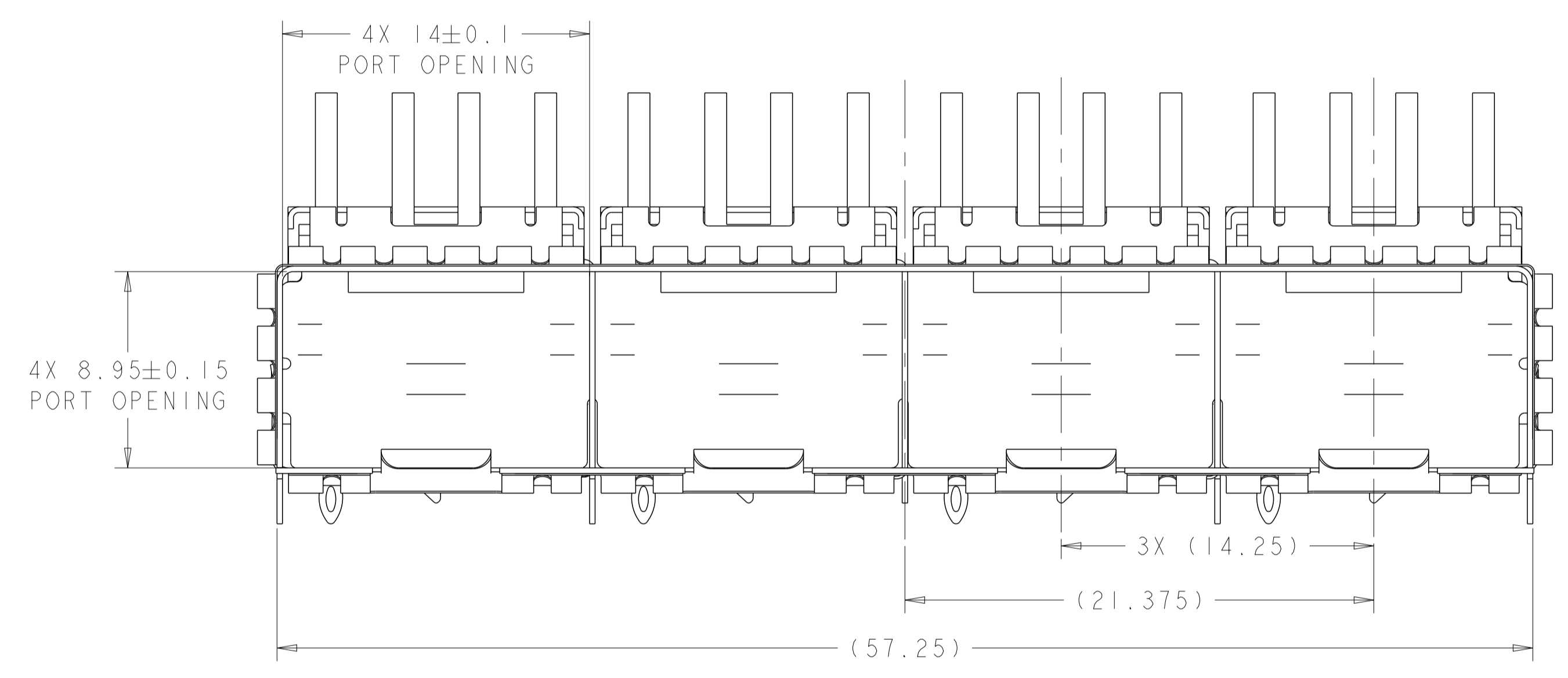
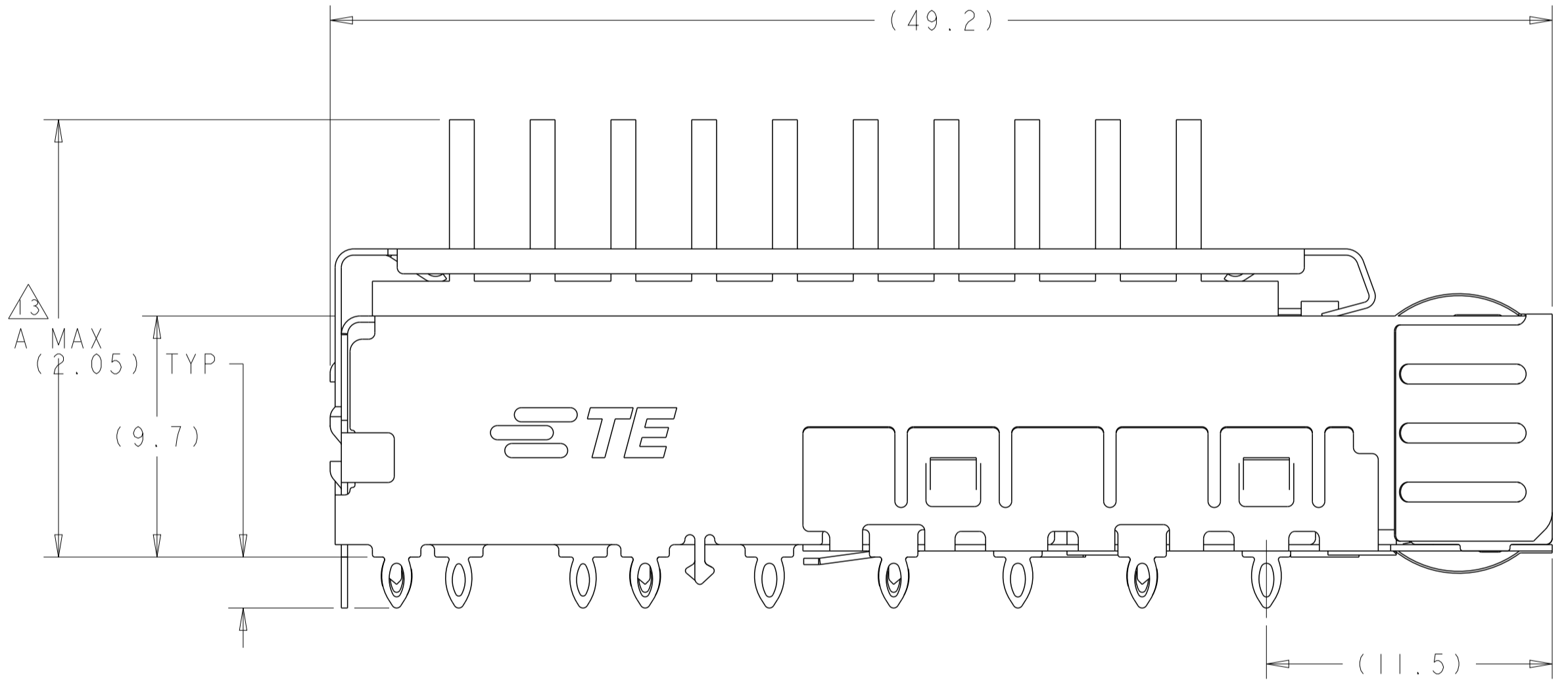


2149730-1,2,3,4,5  
 FINISHED ASSEMBLY WITH  
 PIN TYPE HEAT SINK



2149730-6,7,8,9,10  
 FINISHED ASSEMBLY WITH  
 FIN TYPE HEAT SINK

- 1. MATERIAL:  
 CAGE ASSEMBLY: 0.25mm THICK NICKEL SILVER ALLOY  
 HEATSINK CLIP: STAINLESS STEEL  
 HEATSINK: ALUMINUM
- 2. FINISH:  
 EMI SPRINGS: MINIMUM OF 0.8um TIN PLATE OVER A MINIMUM OF 0.8um NICKEL UNDERPLATE.  
 NON-PLATED EDGES PERMISSIBLE.  
 HEATSINK: ELECTROLESS NICKEL  
 HEATSINK CLIP: PASSIVATE
- 3. PADS AND VIAS CHASSIS GROUND.
- 4. DATUM AND BASIC DIMENSION ESTABLISHED BY CUSTOMER.
- 5. MATES WITH SFP MSA COMPLIANT TRANSCEIVERS.
- 6. INTERPRETATION OF DATUM REFERENCE FRAME IN ACCORDANCE WITH SECT 4.4.1.1 OF ASME Y14.5M-1994.
- 7. REFERENCE APPLICATION SPEC. 114-13120, HOLE A, FOR RECOMMENDED DRILL HOLE DIAMETER AND PLATING THICKNESS.
- 8. REFERENCE APPLICATION SPEC. 114-13120, HOLE B, FOR RECOMMENDED DRILL HOLE DIAMETER AND PLATING THICKNESS.
- 9. HOLE PATTERN REPEATS FOR EACH PORT. SPACING BETWEEN PORTS IS 14.25mm.
- 10. MINIMUM PC BOARD THICKNESS:  
 SINGLE SIDED = 1.50mm  
 DOUBLE SIDED = 2.25mm
- 11. CERTAIN MATING TRANSCEIVERS MAY REQUIRE ADDITIONAL PCB THICKNESS THAT WOULD BE DETERMINED BY THE CUSTOMER.
- 12. PRODUCT COMPLIES WITH SPECIFICATION SFF-8433 IMPROVED PLUGGABLE FORM FACTOR FOR SFP+ GANGED CAGES.
- 13. DIMENSION APPLIES PRIOR TO INSERTION OF SFP MODULE



2149730-1,2,3,4,5  
 MOUNTED BELLY TO BELLY ON PCB  
 SCALE 4:1

PIN TYPE	W/O INSULATING TAPE	N/A	CUSTOMIZED	1-2149730-5
FIN TYPE	W/O INSULATING TAPE	N/A	CUSTOMIZED	1-2149730-4
FIN TYPE	W/O INSULATING TAPE	N/A	CUSTOMIZED	1-2149730-3
PIN TYPE	W/O INSULATING TAPE	N/A	CUSTOMIZED	1-2149730-2
PIN TYPE	W/O INSULATING TAPE	N/A	CUSTOMIZED	1-2149730-1
FIN TYPE	W/ INSULATING TAPE	22.5	NETWORKING, TALL	2149730-10
FIN TYPE	W/O INSULATING TAPE	22.5	NETWORKING, TALL	2149730-9
FIN TYPE	W/O INSULATING TAPE	15.5	SAN	2149730-8
FIN TYPE	W/O INSULATING TAPE	13.2	PCI	2149730-7
FIN TYPE	W/O INSULATING TAPE	18.1	NETWORKING, SHORT	2149730-6
PIN TYPE	W/ INSULATING TAPE	22.5	NETWORKING, TALL	2149730-5
PIN TYPE	W/O INSULATING TAPE	22.5	NETWORKING, TALL	2149730-4
PIN TYPE	W/O INSULATING TAPE	15.5	SAN	2149730-3
PIN TYPE	W/O INSULATING TAPE	13.2	PCI	2149730-2
PIN TYPE	W/O INSULATING TAPE	18.1	NETWORKING, SHORT	2149730-1
HEAT SINK TYPE	DESCRIPTION	A MAX	APPLICATION	PART NUMBER

THIS DRAWING IS A CONTROLLED DOCUMENT. DWN M. SCHMITT 23AUG2010  
 CHK M. SCHMITT 23AUG2010  
 APVD B. WERTZ 23AUG2010

DIMENSIONS: mm  
 TOLERANCES UNLESS OTHERWISE SPECIFIED:  
 0 PLC ±0.1  
 1 PLC ±0.1  
 2 PLC ±0.1  
 3 PLC ±0.1  
 4 PLC ±0.1  
 ANGLES ±1°

MATERIAL: FINISH:

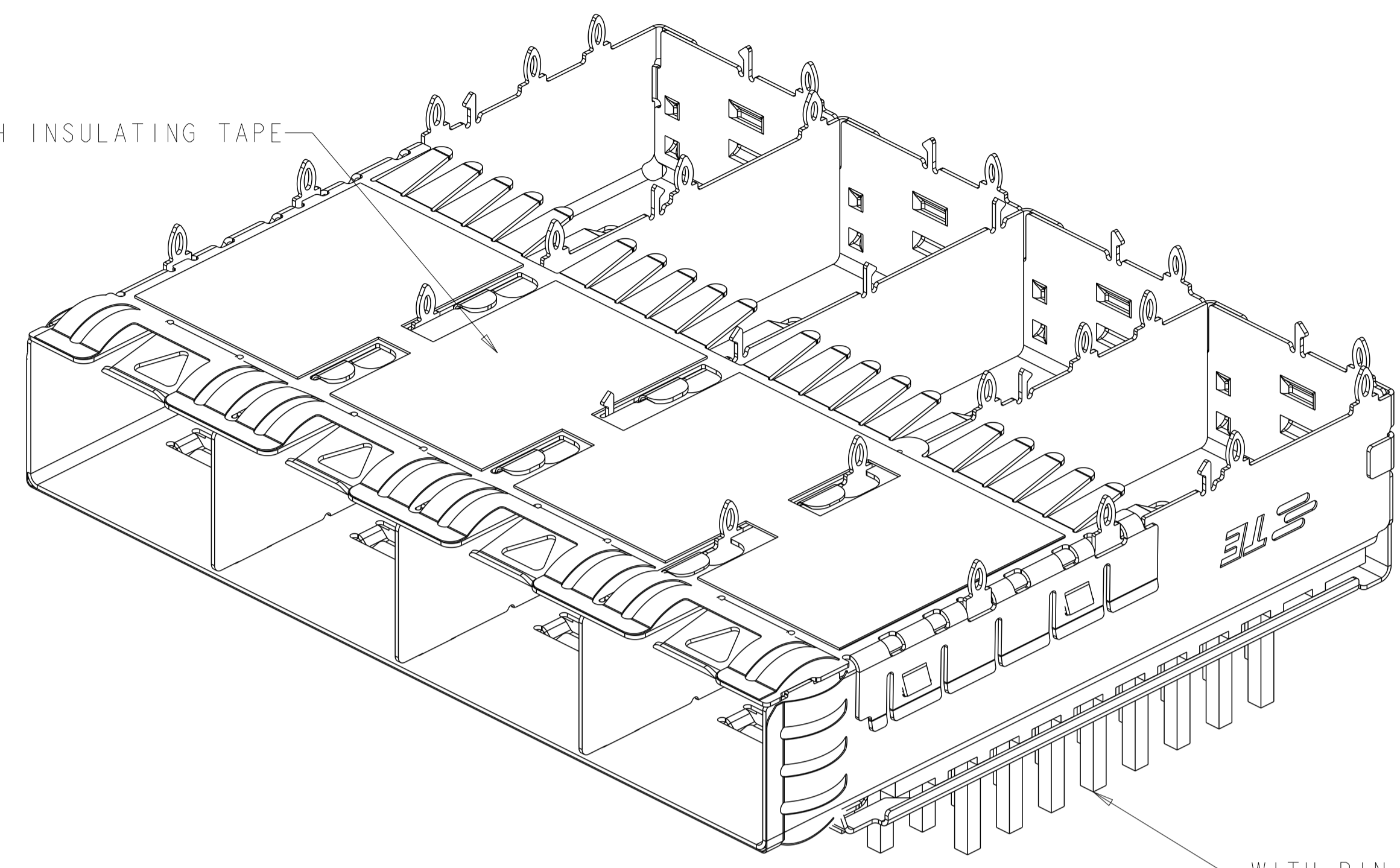
Customer Drawing

NAME: SFP+ ENHANCED 1X4 CAGE ASSEMBLY PRESS FIT, EXTERNAL EMI SPRINGS WITH HEATSINK  
 PRODUCT SPEC: 108-2364  
 APPLICATION SPEC: 114-13120

SIZE: A1 CAGE CODE: 2149730 DRAWING NO: 100779  
 WEIGHT: -

RESTRICTED TO: -  
 SCALE: 5:1 SHEET 1 OF 10 REV: A8

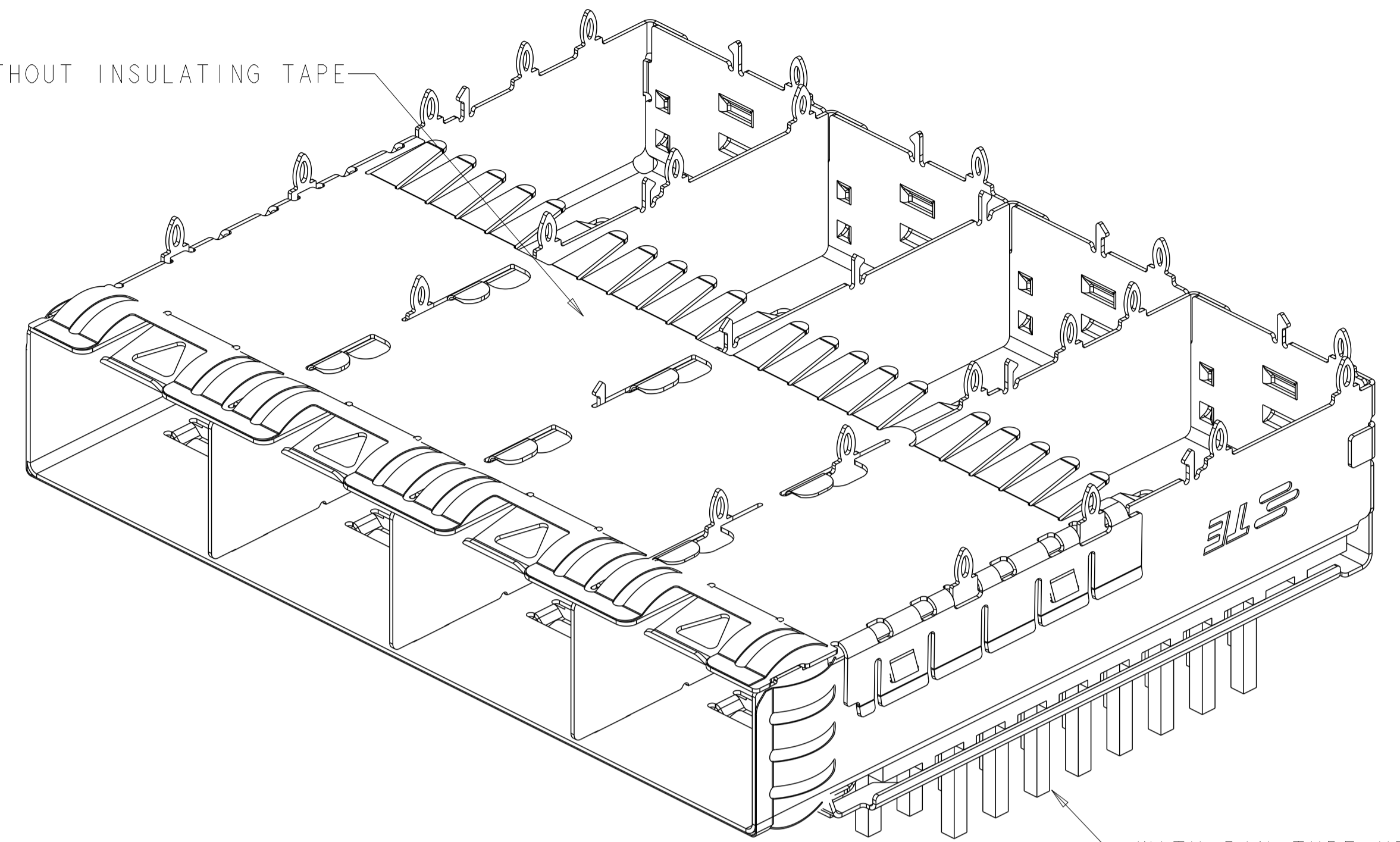
WITH INSULATING TAPE



WITH PIN TYPE HEAT SINK

2149730-5 AS SHOWN WITH INSULATING TAPE, WITH PIN TYPE HEAT SINK

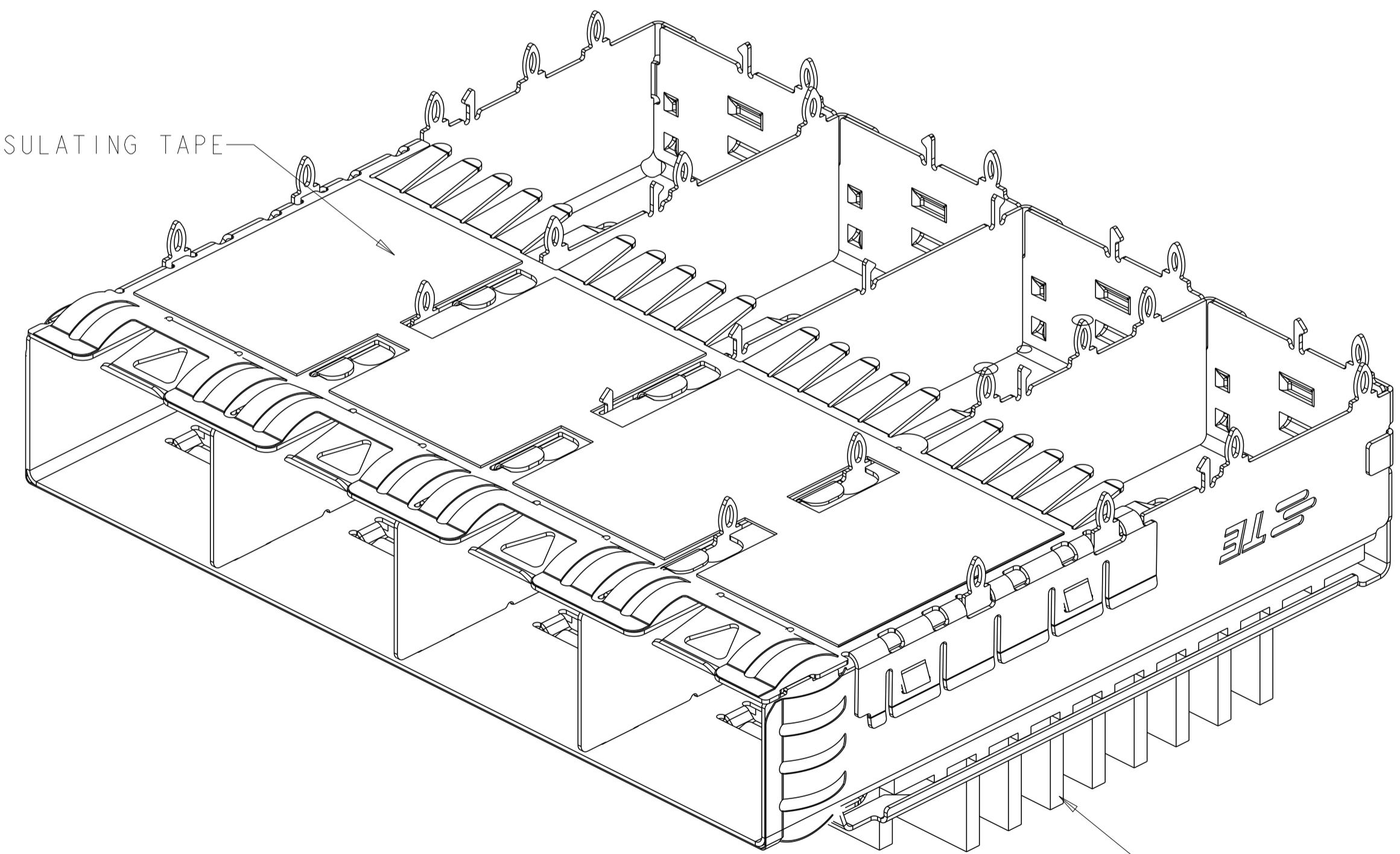
WITHOUT INSULATING TAPE



WITH PIN TYPE HEAT SINK

2149730-1,2,3,4 AS SHOWN WITHOUT INSULATING TAPE, WITH PIN TYPE HEAT SINK

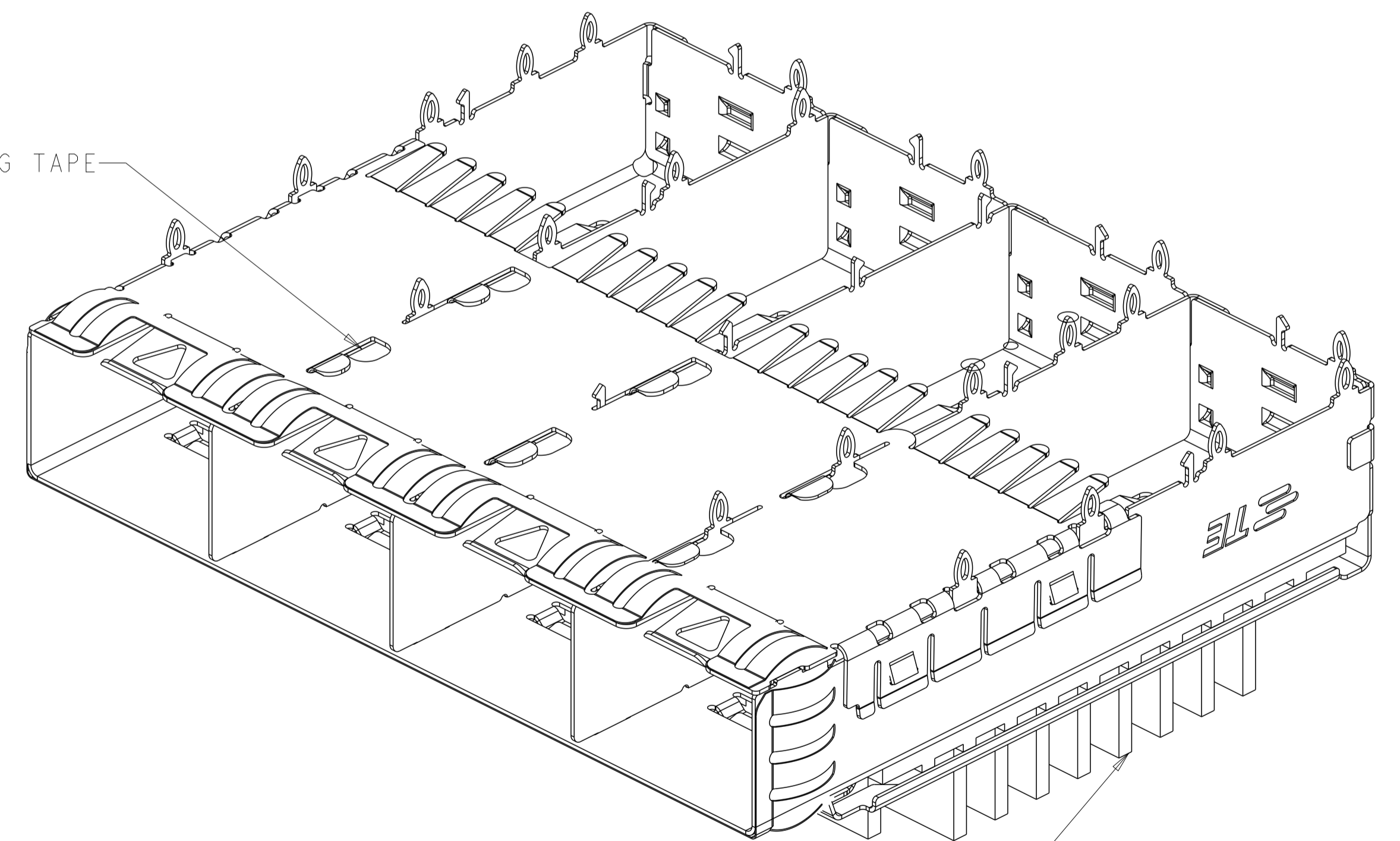
WITH INSULATING TAPE



WITH FIN TYPE HEAT SINK

2149730-10 AS SHOWN WITH INSULATING TAPE, WITH FIN TYPE HEAT SINK

WITHOUT INSULATING TAPE

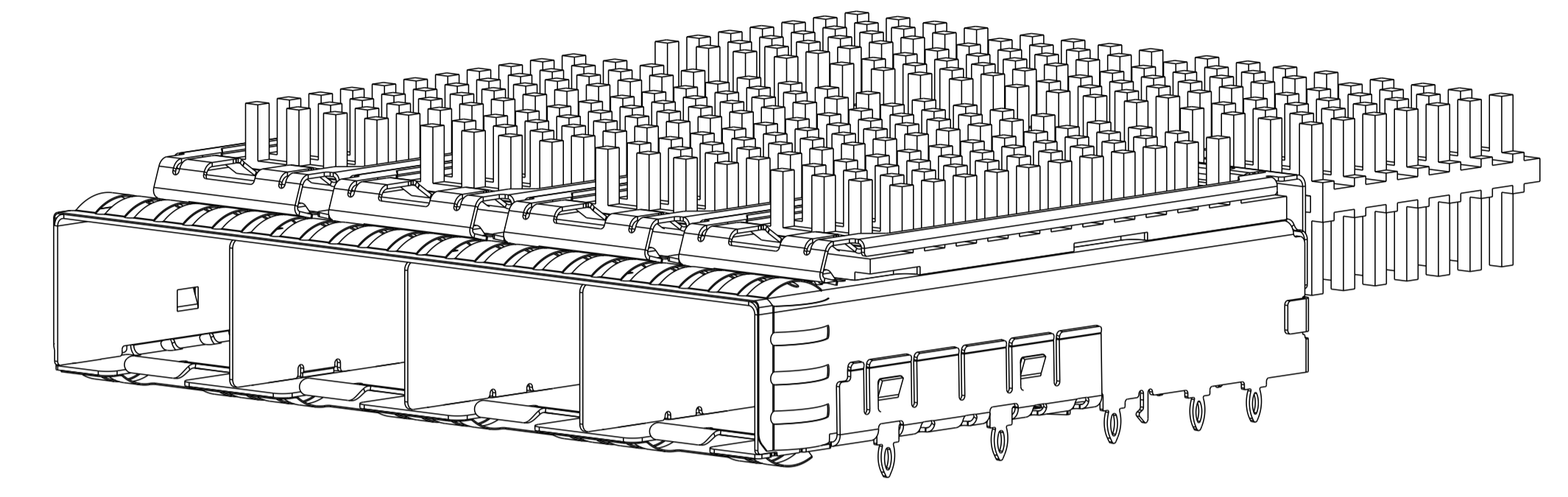
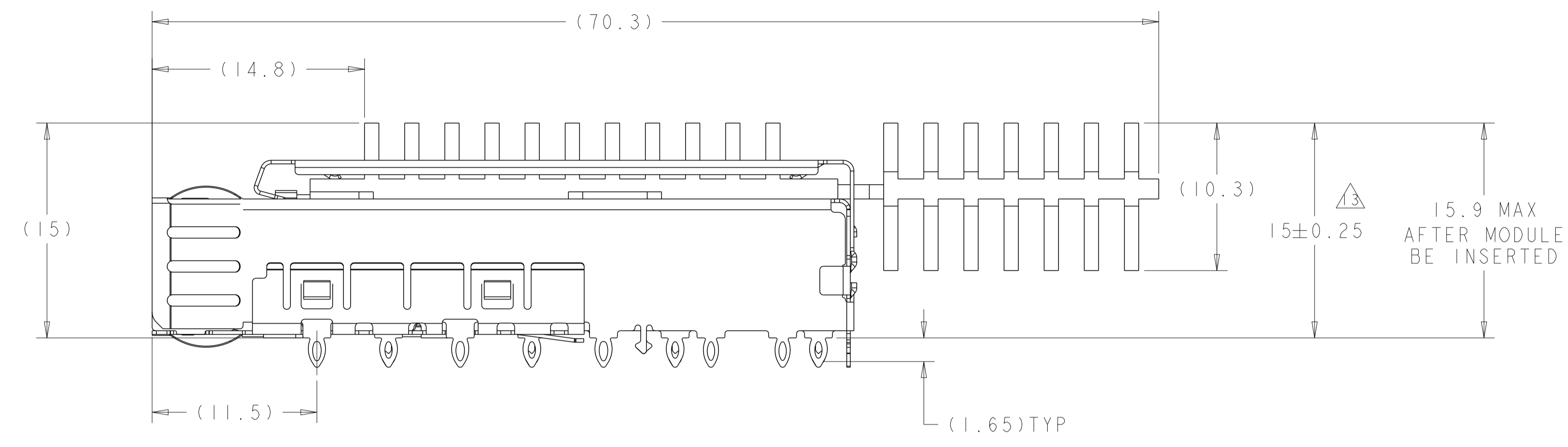


WITH FIN TYPE HEAT SINK

2149730-6,7,8,9 AS SHOWN WITHOUT INSULATING TAPE, WITH FIN TYPE HEAT SINK

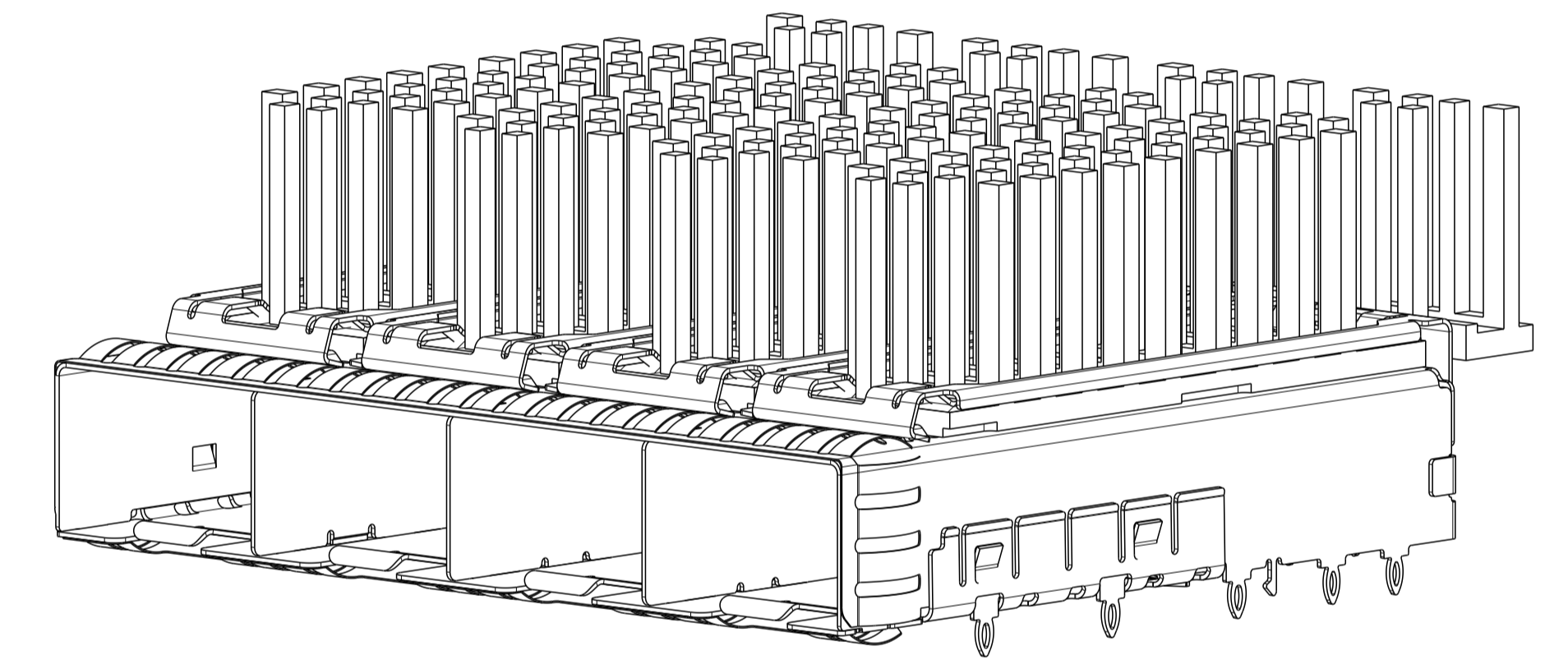
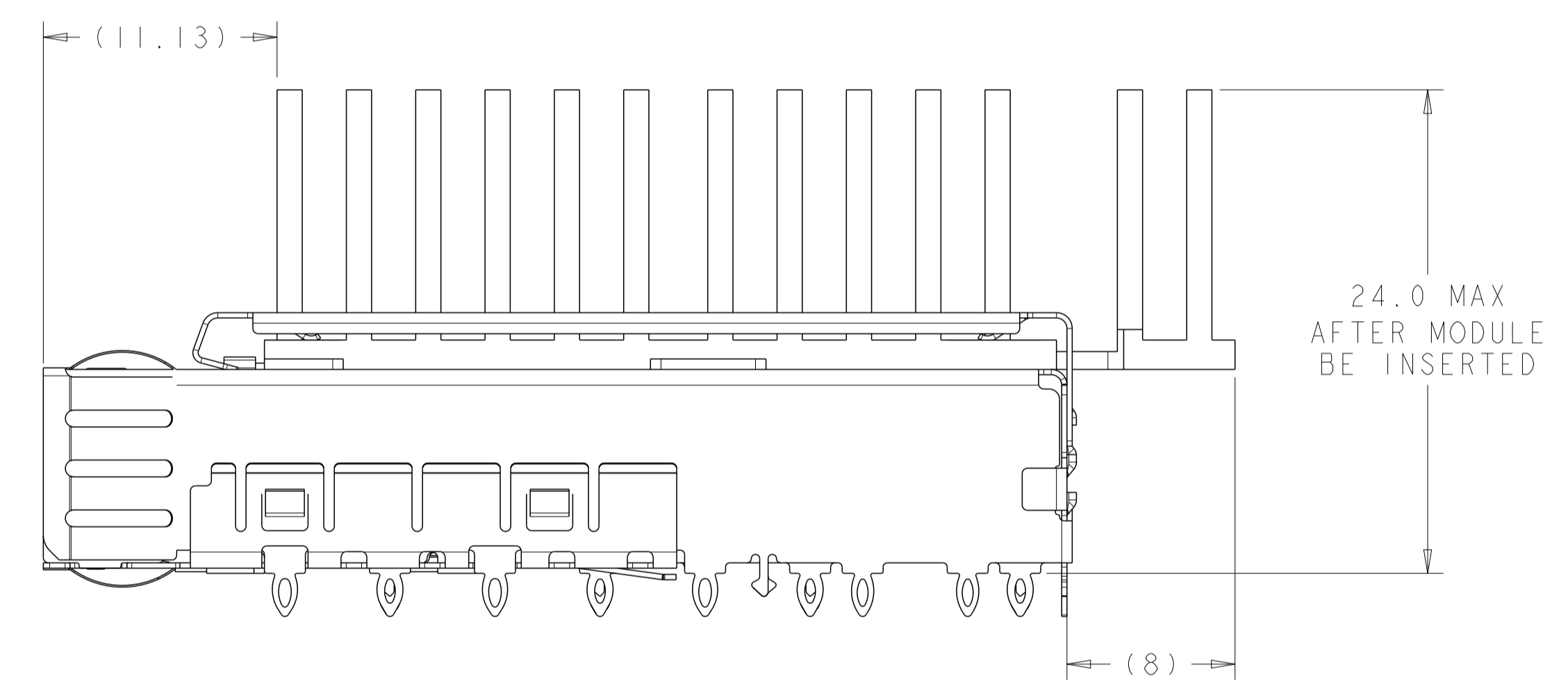
THIS DRAWING IS A CONTROLLED DOCUMENT.		OWN	M. SCHMITT	23AUG2010	<b>STE</b> TE Connectivity
DIMENSIONS:		CHK	M. SCHMITT	23AUG2010	
mm		APVD		B. WERTZ	23AUG2010
TOLERANCES UNLESS OTHERWISE SPECIFIED:		NAME		SFP+ ENHANCED 1X4 CAGE ASSEMBLY PRESS FIT, EXTERNAL EMI SPRINGS WITH HEATSINK	
0 PLC ±0.1		PRODUCT SPEC		108-2364	
1 PLC ±0.1		APPLICATION SPEC		114-13120	
2 PLC ±0.1		SIZE		A100779C=2149730	
3 PLC ±0.1		CAGE CODE		DRAWING NO	
4 PLC ±0.1		WEIGHT		Customer Drawing	
ANGLES ±1°		SCALE		5:1	
FINISH		SHEET		2 OF 10	
		REV		A8	

1-2149730-1 AS SHOWN  
 UNMARKED SAME AS 2149730-1



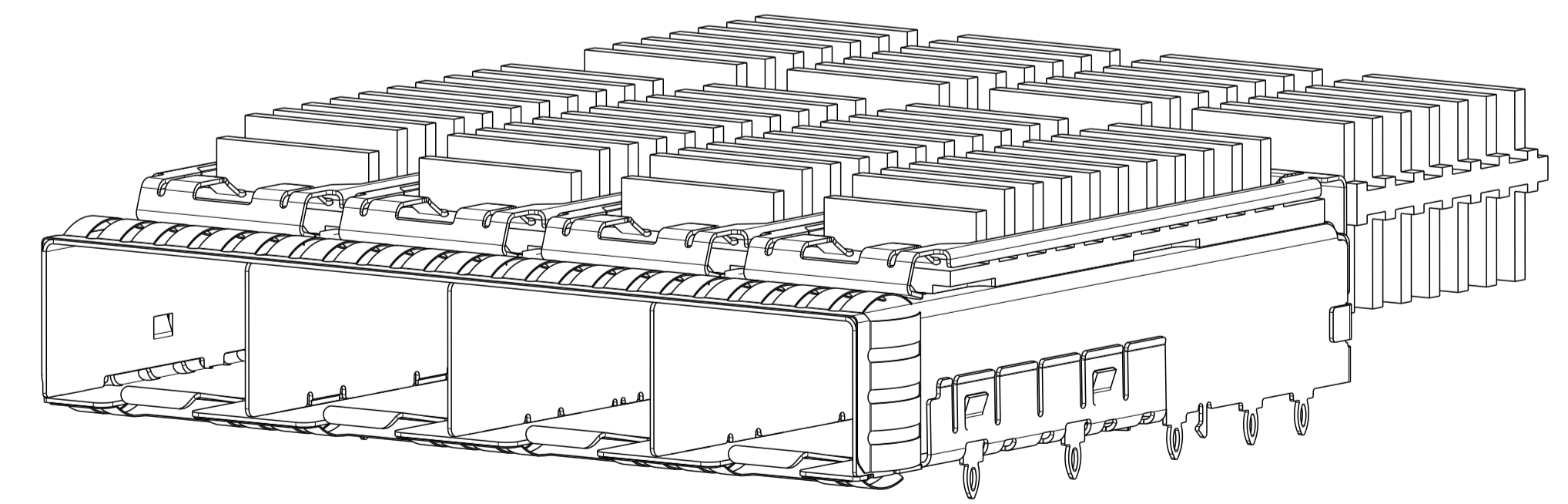
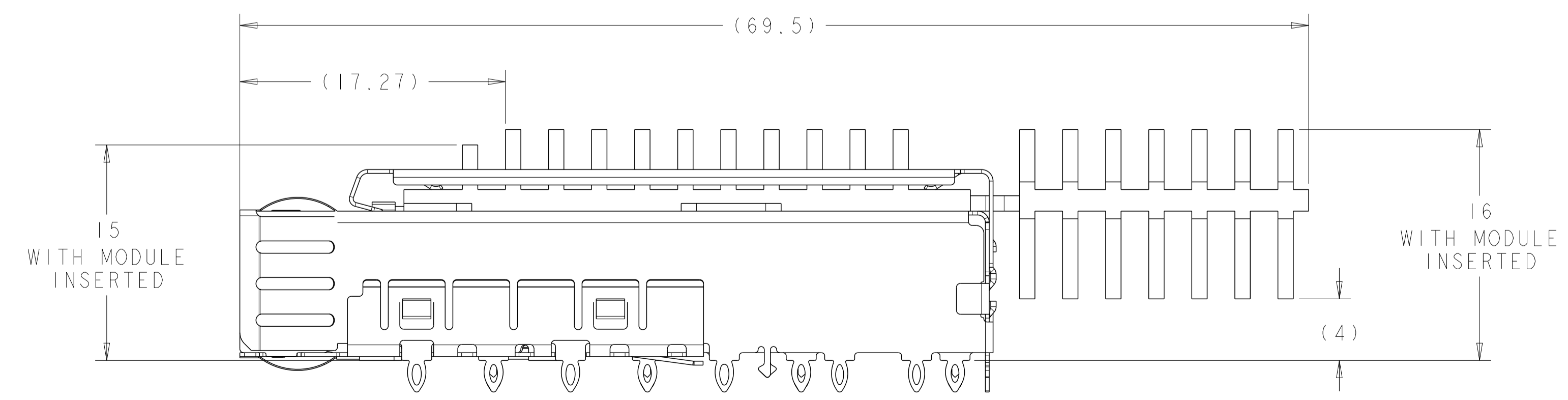
1-2149730-1 3D VIEW  
 SCALE 3:1

1-2149730-2 AS SHOWN  
 UNMARKED SAME AS 2149730-1



1-2149730-2 3D VIEW  
 SCALE 3:1

1-2149730-3 AS SHOWN  
 UNMARKED SAME AS 2149730-1



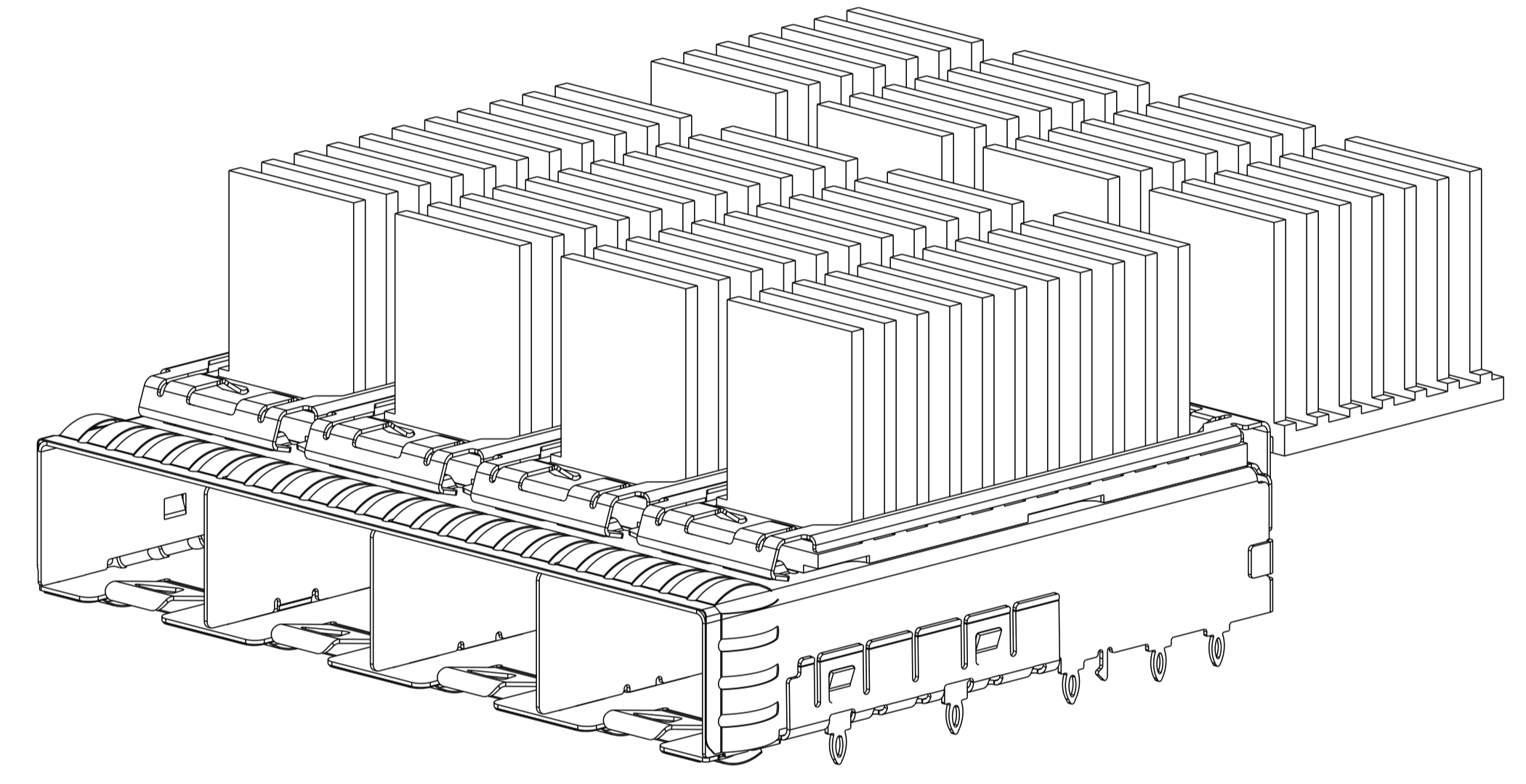
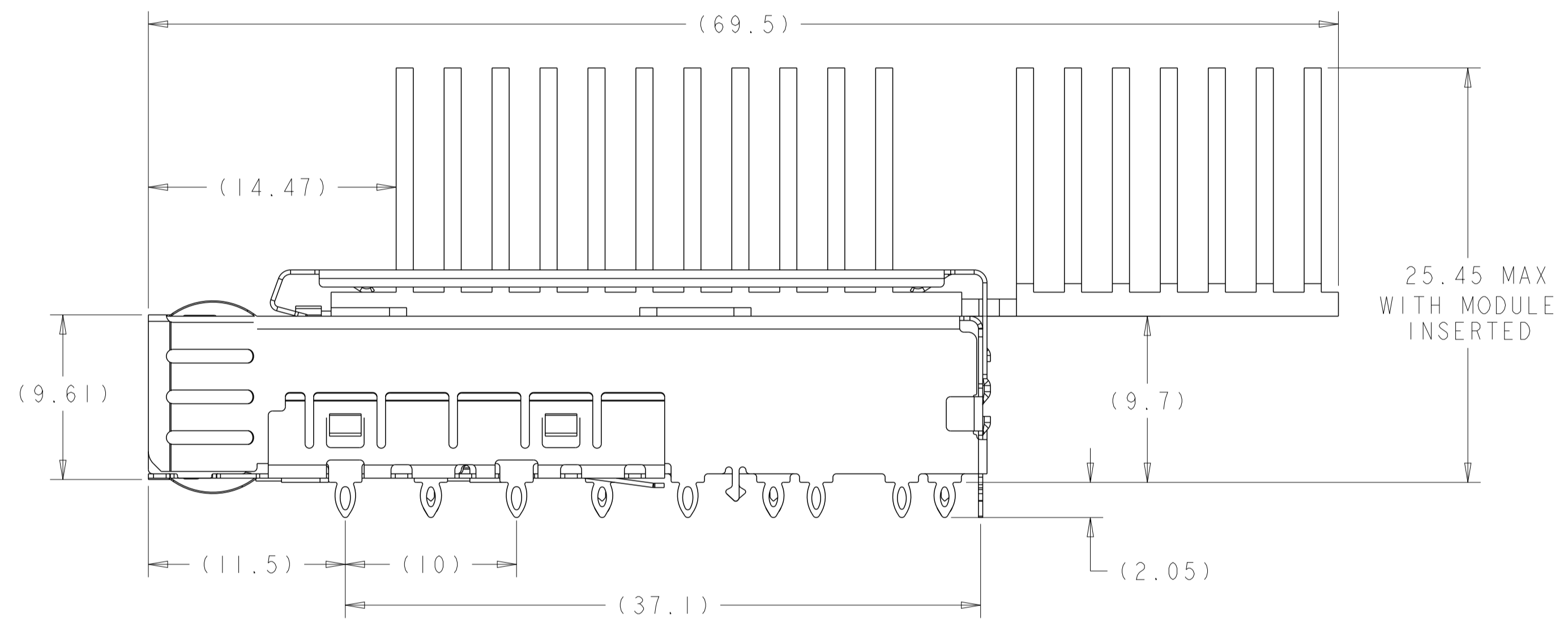
1-2149730-3 3D VIEW  
 SCALE 3:1

SCALE 4:1

THIS DRAWING IS A CONTROLLED DOCUMENT.		DMN M. SCHMITT 23AUG2010	TE Connectivity
DIMENSIONS: mm		CHK M. SCHMITT 23AUG2010	
TOLERANCES UNLESS OTHERWISE SPECIFIED:		APVD B. WERTZ 23AUG2010	NAME
0 PLC	±0.1	PRODUCT SPEC	SFP+ ENHANCED 1X4 CAGE ASSEMBLY
1 PLC	±0.1	APPLICATION SPEC	PRESS FIT, EXTERNAL EMI SPRINGS
2 PLC	±0.1	SIZE	WITH HEATSINK
3 PLC	±0.1	SIZE	CAGE CODE DRAWING NO
4 PLC	±0.1	WEIGHT	RESTRICTED TO
ANGLES	±1°	A100779C=2149730	
FINISH		Customer Drawing	SCALE 5:1 SHEET 3 OF 10 REV A8

LOC		DIST		REVISIONS			
P	LTN	DATE	DMN	APVD	DESCRIPTION	DATE	DMN
GP	00						

1-2149730-4 AS SHOWN  
 UNMARKED SAME AS 2149730-1



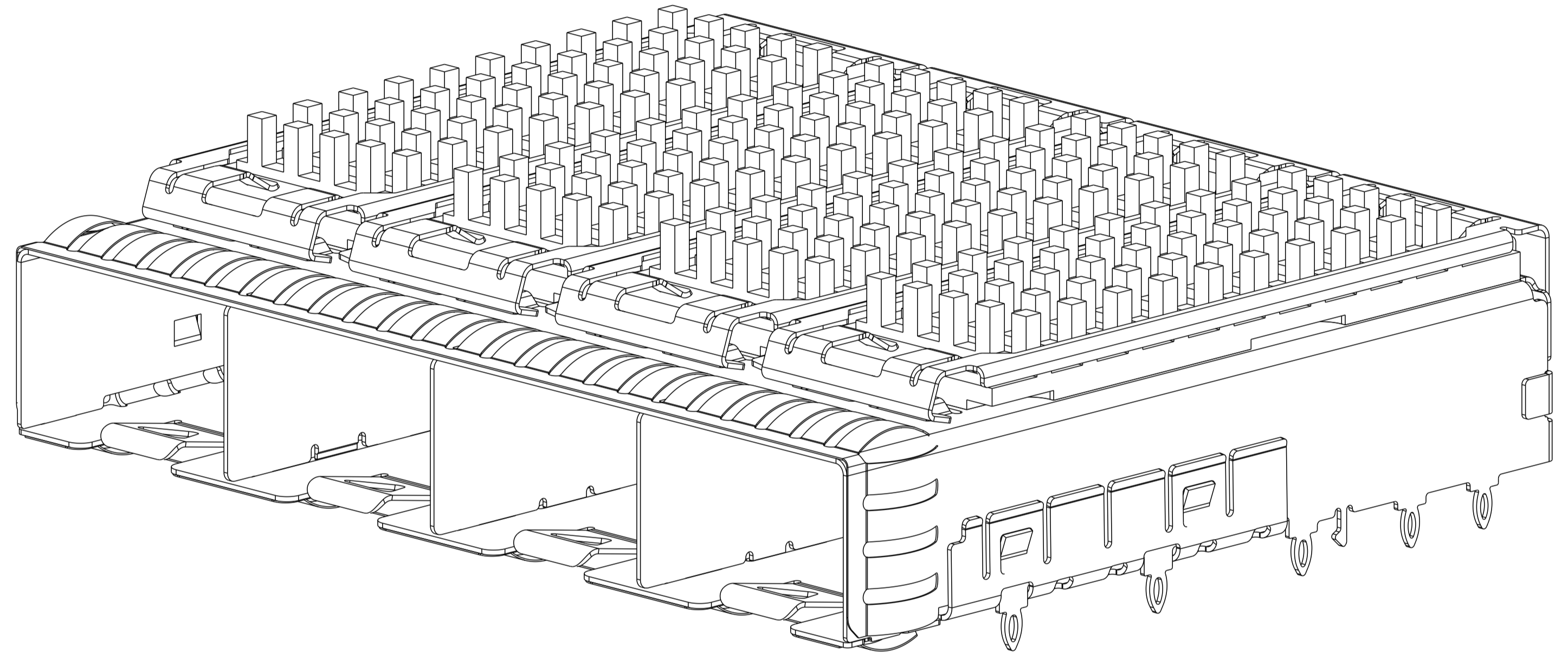
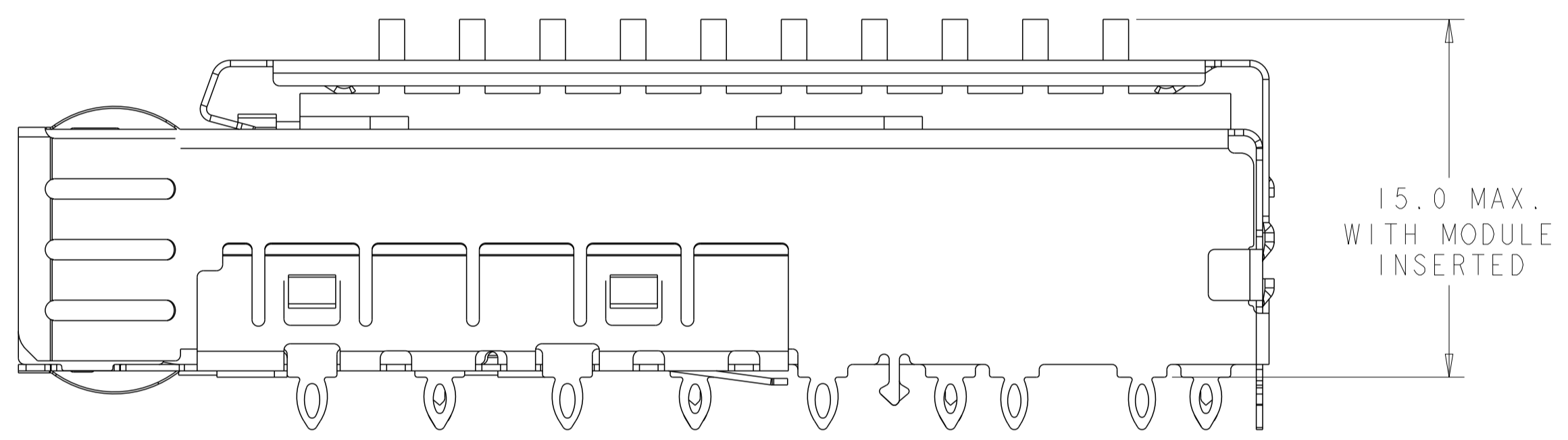
1-2149730-4 AS SHOWN  
 UNMARKED SAME AS 2149730-1


THIS DRAWING IS A CONTROLLED DOCUMENT.		DMN M. SCHMITT 23AUG2010	
DIMENSIONS: mm		CHK M. SCHMITT 23AUG2010	
TOLERANCES UNLESS OTHERWISE SPECIFIED:		APVD B. WERTZ 23AUG2010	NAME
0 PLC ±0.1		PRODUCT SPEC	SFP+ ENHANCED 1X4 CAGE ASSEMBLY
1 PLC ±0.1		108-2364	PRESS FIT, EXTERNAL EMI SPRINGS
2 PLC ±0.1		APPLICATION SPEC	WITH HEATSINK
3 PLC ±0.1		114-13120	
4 PLC ±0.1	FINISH	WEIGHT	SIZE CAGE CODE DRAWING NO
ANGLES ±1°			A100779C=2149730
MATERIAL		Customer Drawing	RESTRICTED TO
			SCALE 5:1 SHEET 4 OF 10 REV A8

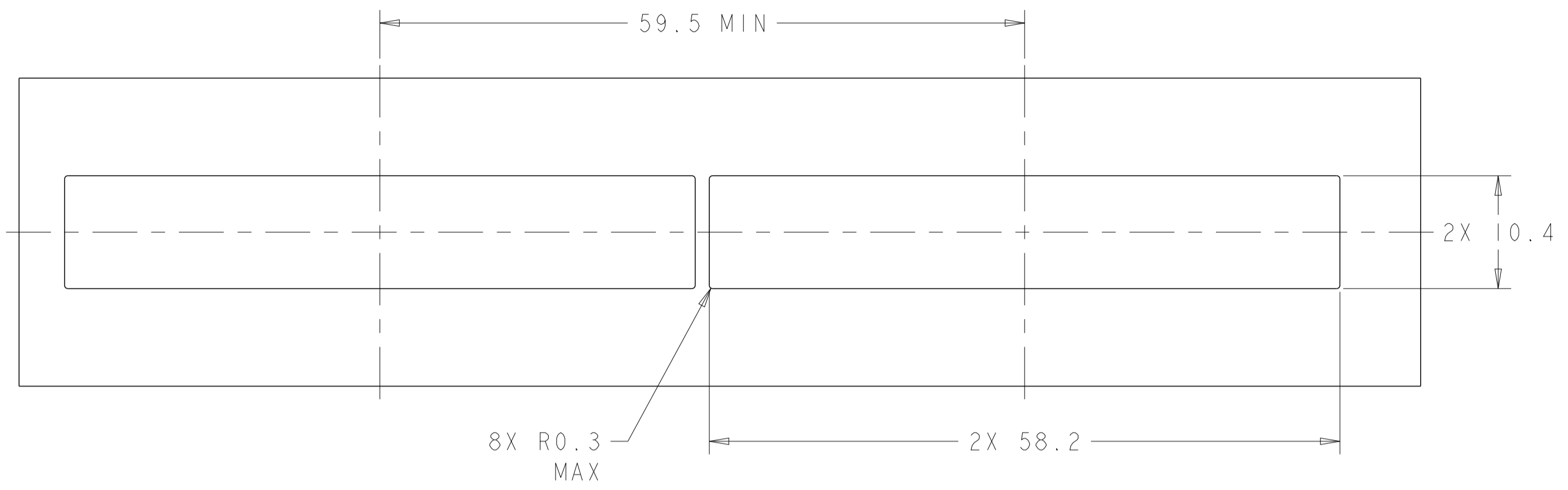
THIS DRAWING IS UNPUBLISHED. RELEASED FOR PUBLICATION 20  
 © COPYRIGHT 20 BY - ALL RIGHTS RESERVED.

LOC	DIST	REVISIONS					
GP	00	P	LYR	DESCRIPTION	DATE	DWN	APVD
-	-	-	-	SEE SHEET 1	-	-	-

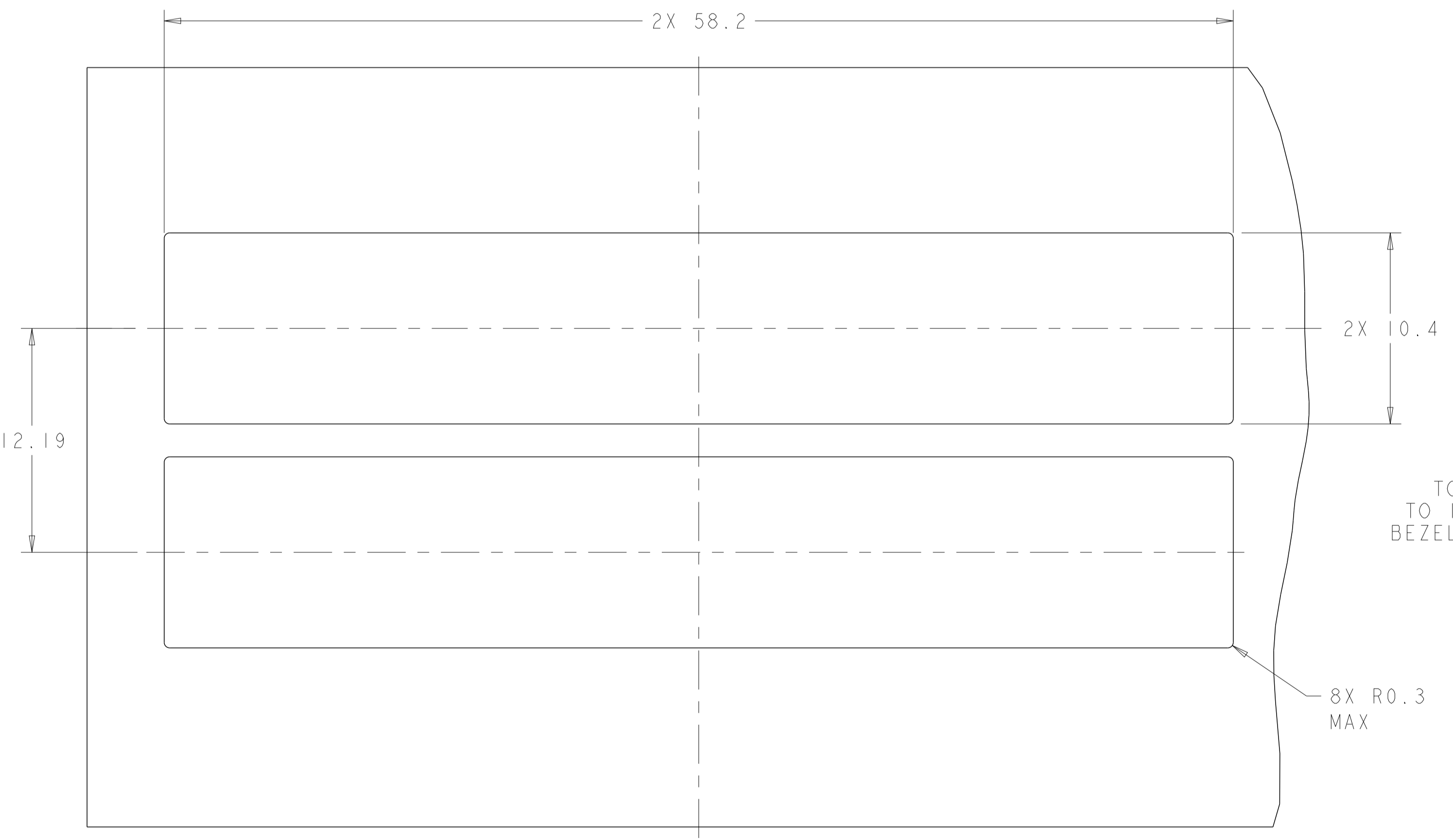
1-2149730-5 AS SHOWN  
 UNMARKED SAME AS 2149730-1



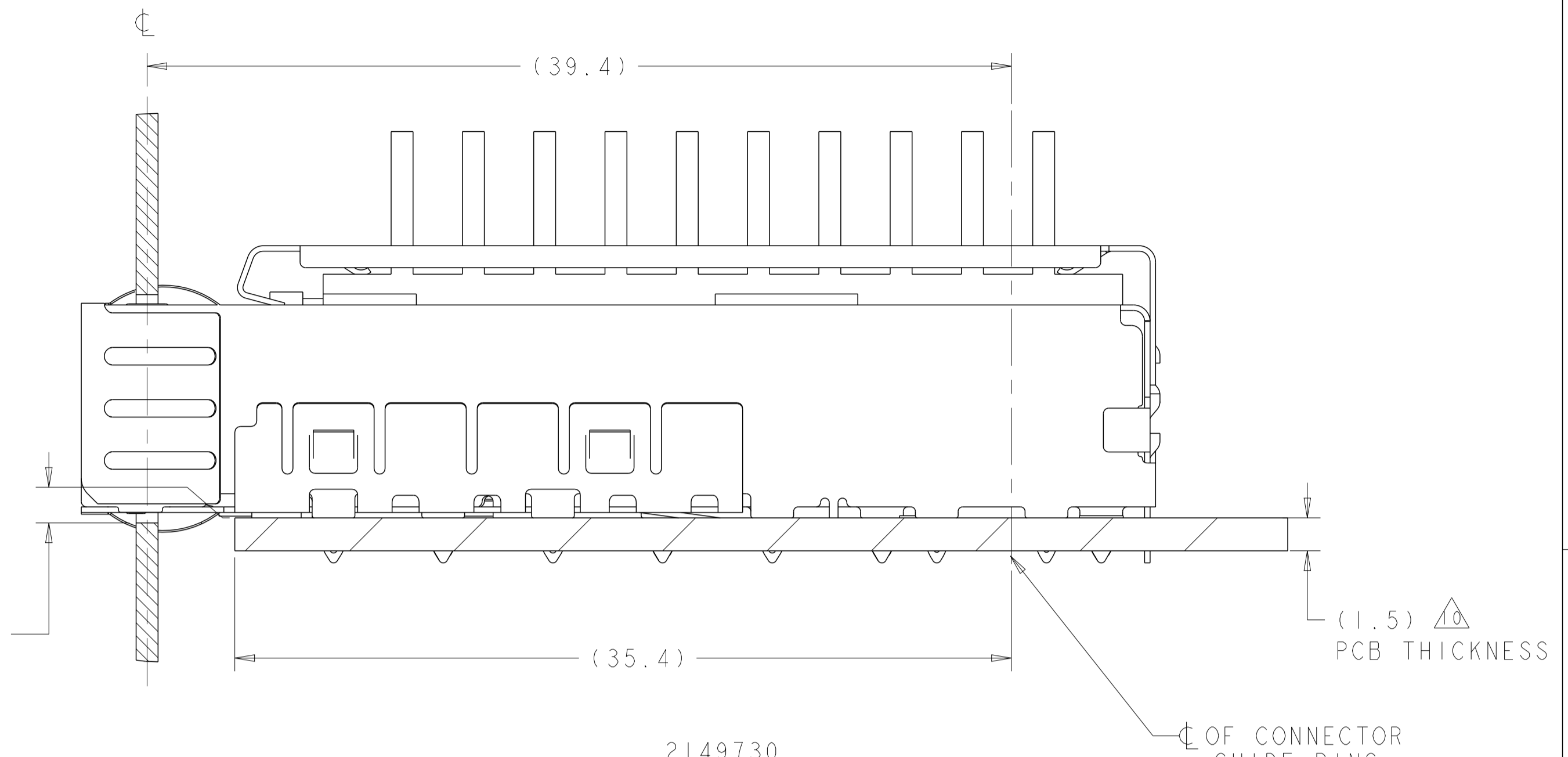
THIS DRAWING IS A CONTROLLED DOCUMENT.		DWN M. SCHMITT 23AUG2010	 TE Connectivity
DIMENSIONS:		CHK M. SCHMITT 23AUG2010	
mm	TOLERANCES UNLESS OTHERWISE SPECIFIED:	APVD B. WERTZ 23AUG2010	NAME
0 PLC ±0.1	1 PLC ±0.1	PRODUCT SPEC	SFP+ ENHANCED 1X4 CAGE ASSEMBLY
2 PLC ±0.1	3 PLC ±0.1	108-2364	PRESS FIT, EXTERNAL EMI SPRINGS
4 PLC ±0.1	ANGLES ±1°	APPLICATION SPEC	WITH HEATSINK
MATERIAL	FINISH	114-13120	SIZE CAGE CODE DRAWING NO
		WEIGHT	A100779C=2149730
		Customer Drawing	RESTRICTED TO
		SCALE 5:1	SHEET 5 OF 10
			REV A8



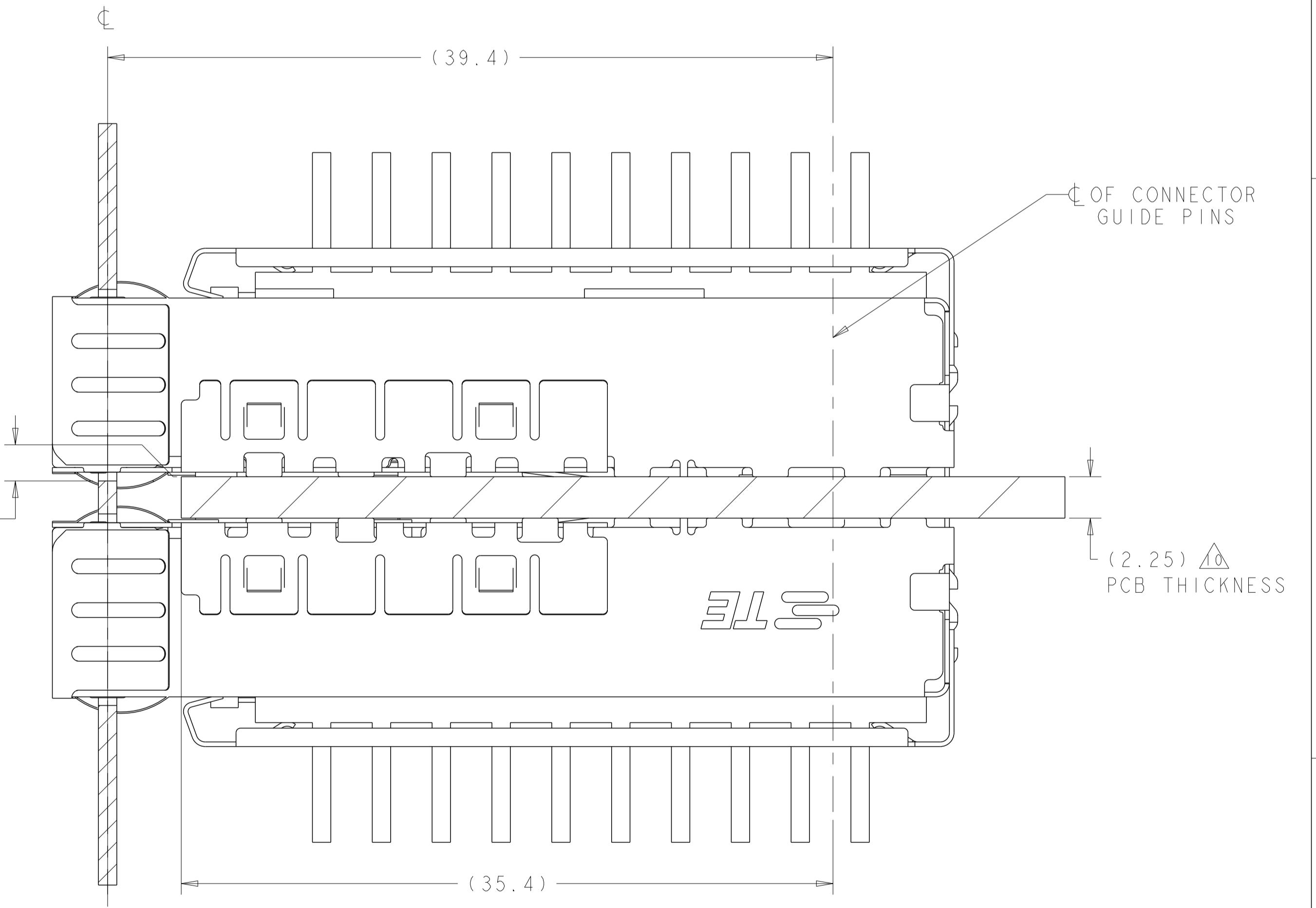
RECOMMENDED BEZEL CUT-OUT  
 SINGLE SIDED APPLICATIONS  
 SCALE 5:2



RECOMMENDED BEZEL CUT-OUT  
 BELLY TO BELLY APPLICATIONS

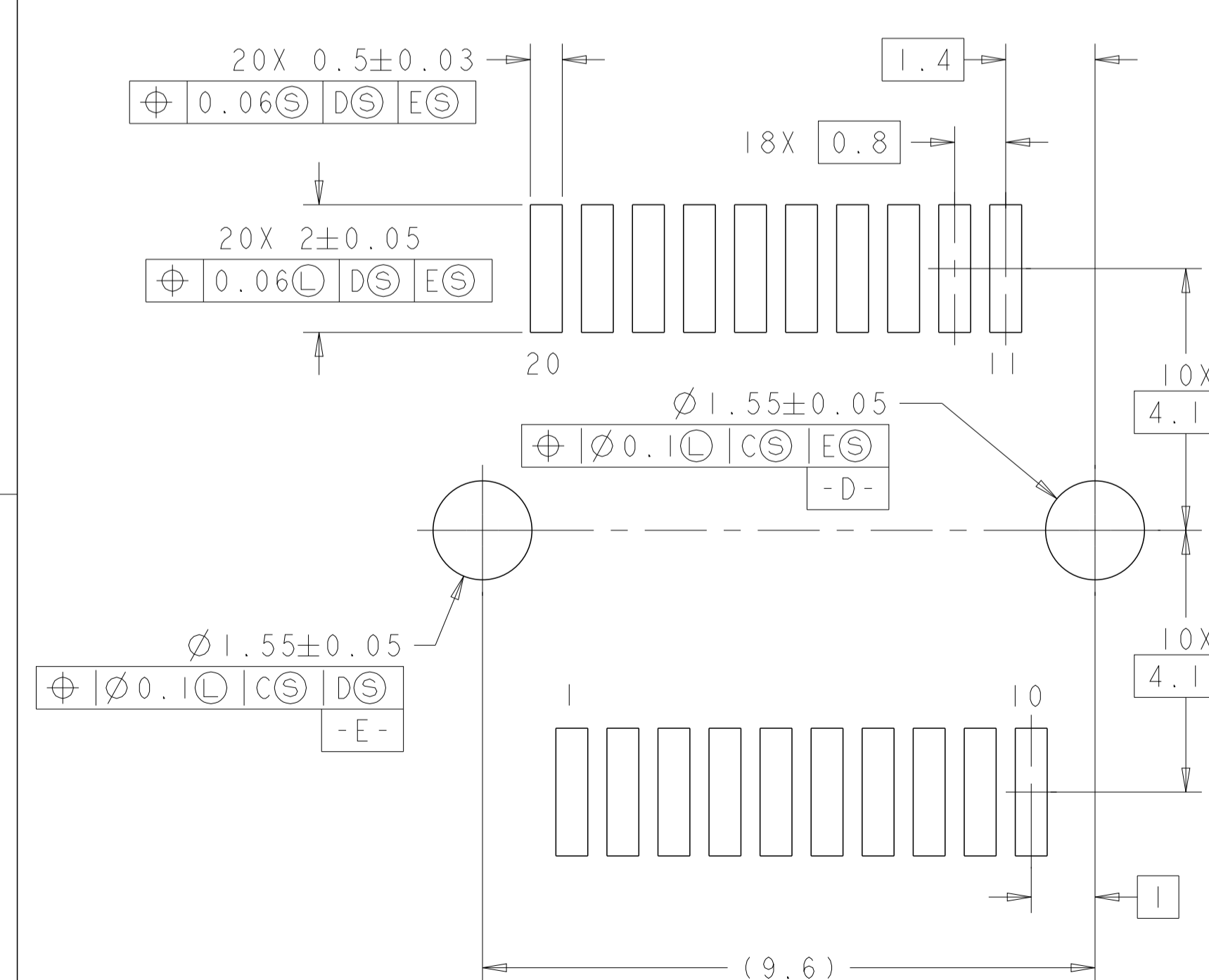
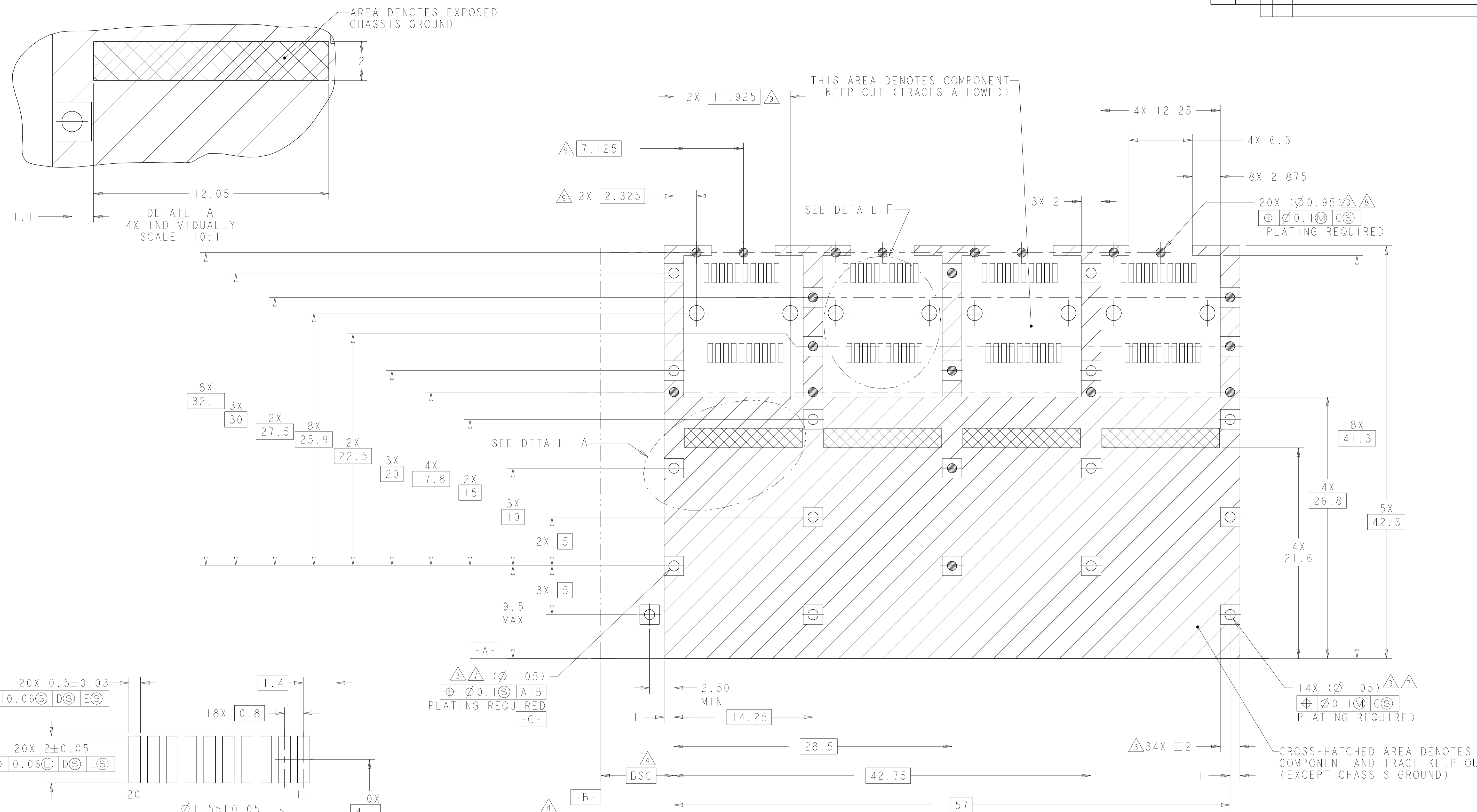


2149730  
 MOUNTED ON PC BOARD  
 SHOWN THRU RECOMMENDED BEZEL



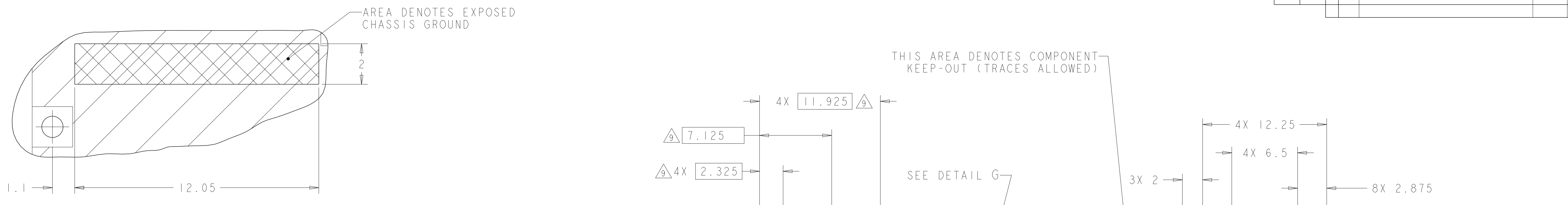
2149730  
 MOUNTED BELLY TO BELLY ON PC BOARD  
 SHOWN THRU RECOMMENDED BEZEL

THIS DRAWING IS A CONTROLLED DOCUMENT.		DMN M. SCHMITT 23AUG2010	TE Connectivity
DIMENSIONS: mm		CHK M. SCHMITT 23AUG2010	
TOLERANCES UNLESS OTHERWISE SPECIFIED:		APVD B. WERTZ 23AUG2010	NAME SFP+ ENHANCED 1X4 CAGE ASSEMBLY PRESS FIT, EXTERNAL EMI SPRINGS WITH HEATSINK
0 PLC	±0.1	PRODUCT SPEC	108-2364
2 PLC	±0.1	APPLICATION SPEC	114-13120
3 PLC	±0.1	SIZE	CAGE CODE DRAWING NO
4 PLC	±0.1	WEIGHT	A100779C=2149730
ANGLES	±1°	RESTRICTED TO	-
FINISH	△	SCALE	5:1
MATERIAL	△	SHEET	6 OF 10
		REV	A8

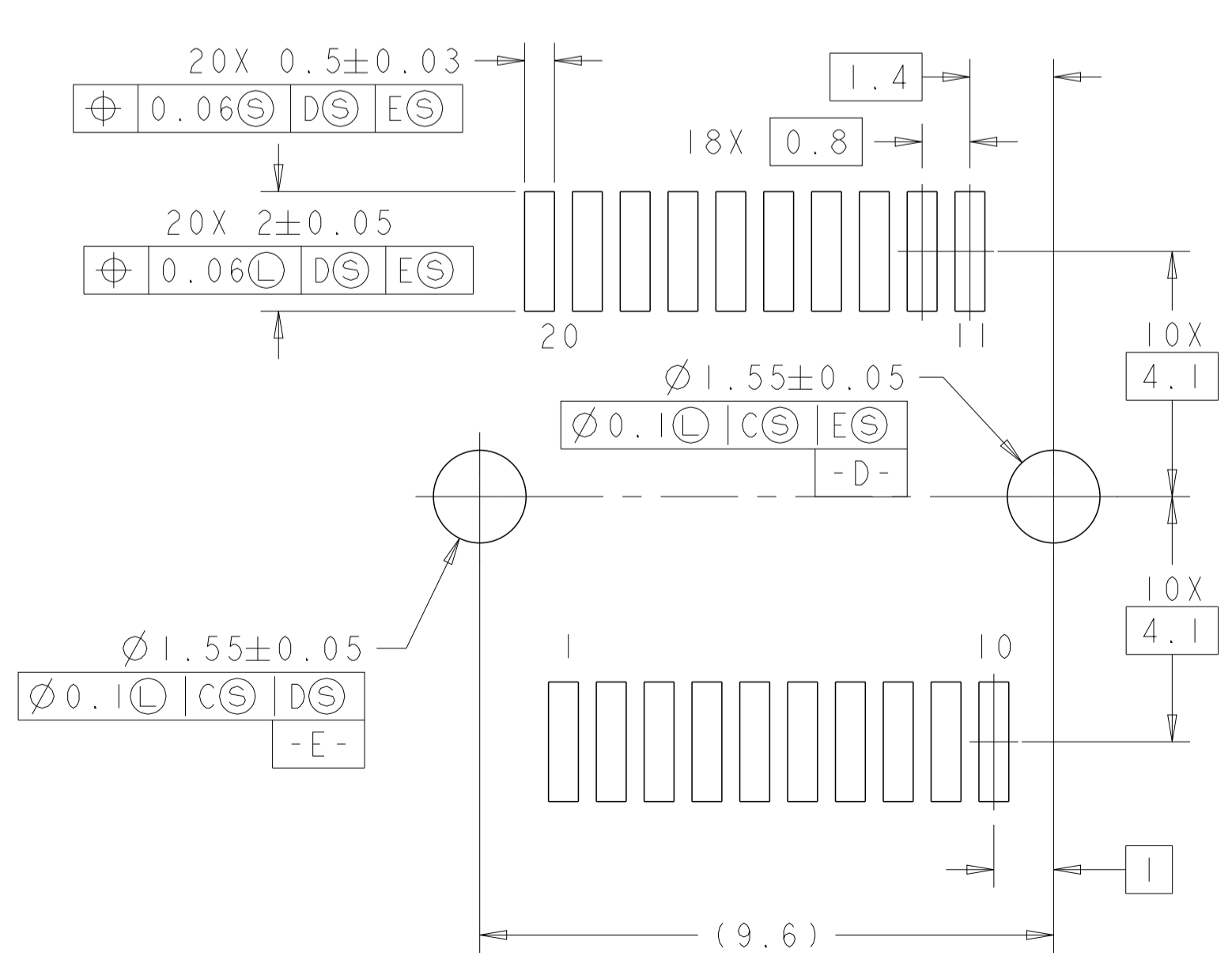
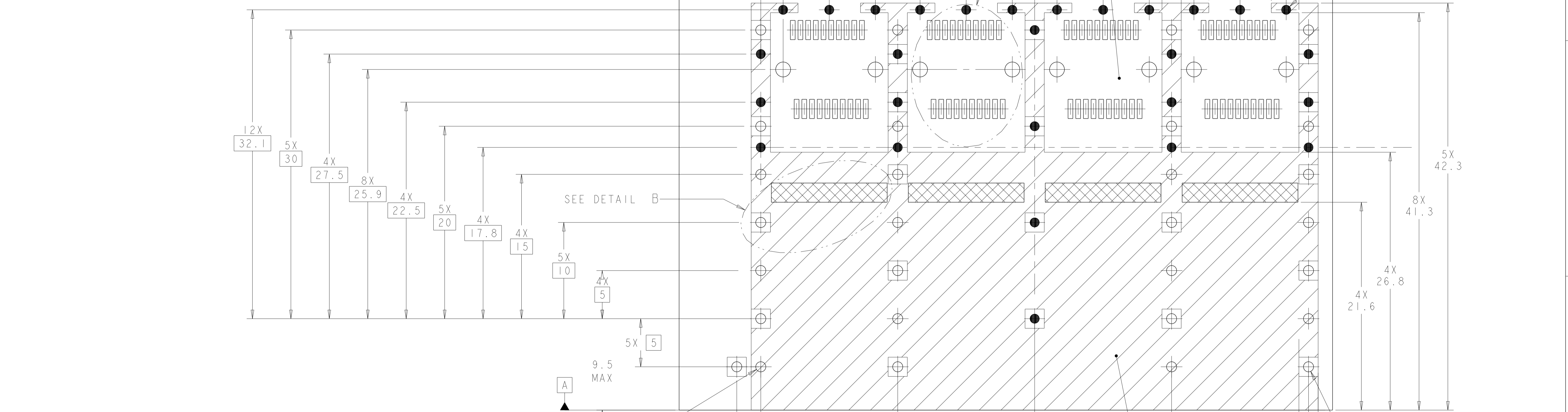


DETAIL F  
RECOMMENDED PT CONNECTOR LAYOUT  
4X INDIVIDUALLY  
SCALE 12:1

THIS DRAWING IS A CONTROLLED DOCUMENT.		DWN M. SCHMITT 23AUG2010	TE Connectivity
DIMENSIONS: mm		CHK M. SCHMITT 23AUG2010	
TOLERANCES UNLESS OTHERWISE SPECIFIED:		APVD B. WERTZ 23AUG2010	NAME
0 PLC	±0.1	PRODUCT SPEC	SFP+ ENHANCED 1X4 CAGE ASSEMBLY
1 PLC	±0.1	APPLICATION SPEC	PRESS FIT, EXTERNAL EMI SPRINGS
2 PLC	±0.1	108-2364	WITH HEATSINK
3 PLC	±0.1	114-13120	SIZE CAGE CODE DRAWING NO
4 PLC	±0.1	RESTRICTED TO	A1 00779 C=2149730
ANGLES	±1°	WEIGHT	SCALE 5:1 SHEET 7 OF 10 REV A8
MATERIAL	FINISH	Customer Drawing	



DETAIL B  
4X INDIVIDUALLY  
SCALE 10:1



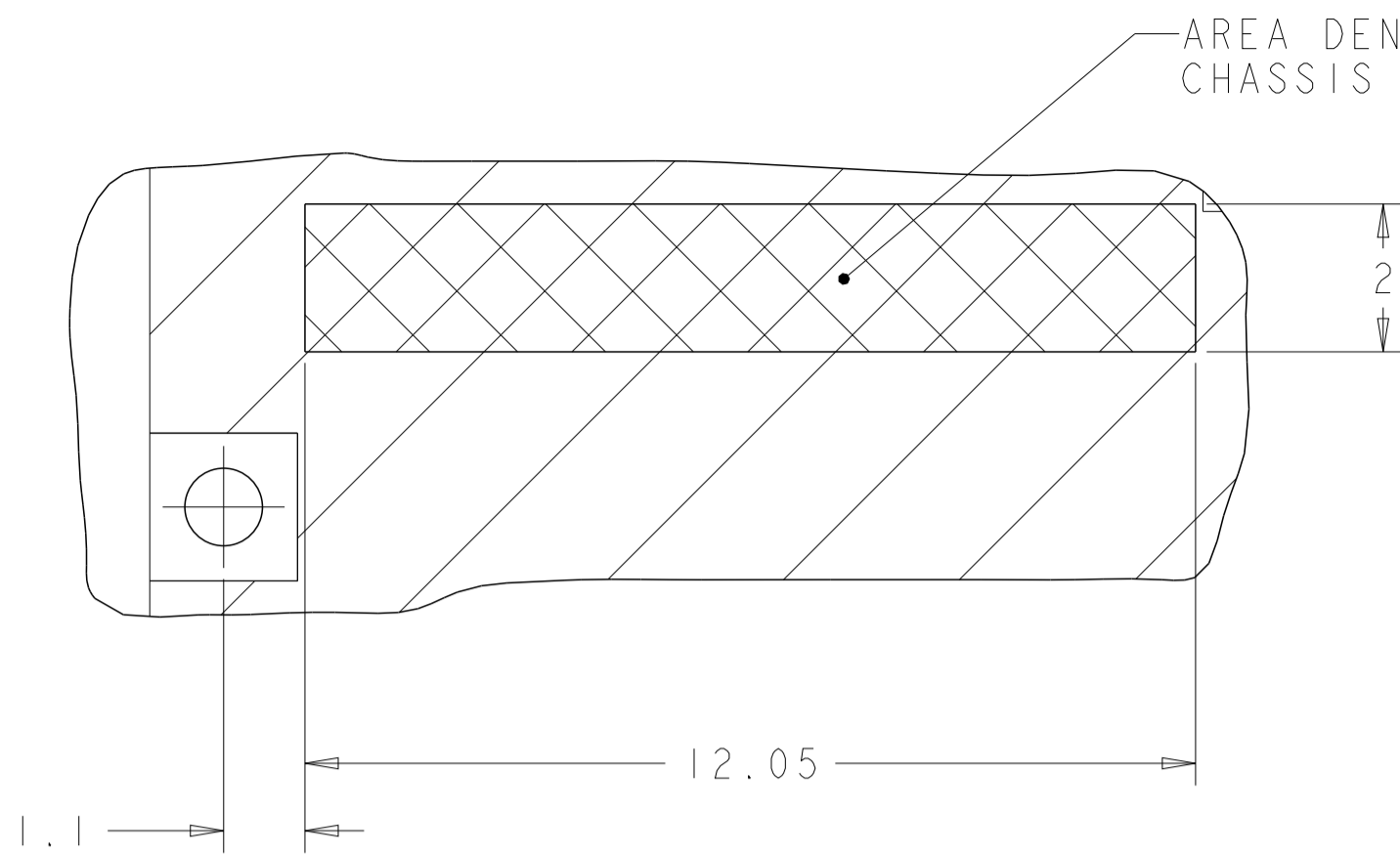
DETAIL G  
RECOMMENDED PT CONNECTOR LAYOUT  
8X INDIVIDUALLY  
SCALE 10:1

RECOMMENDED PCB CONFIGURATION  
WITH KEEP-OUT AREAS  
BELLY TO BELLY APPLICATIONS  
SCALE 5:1

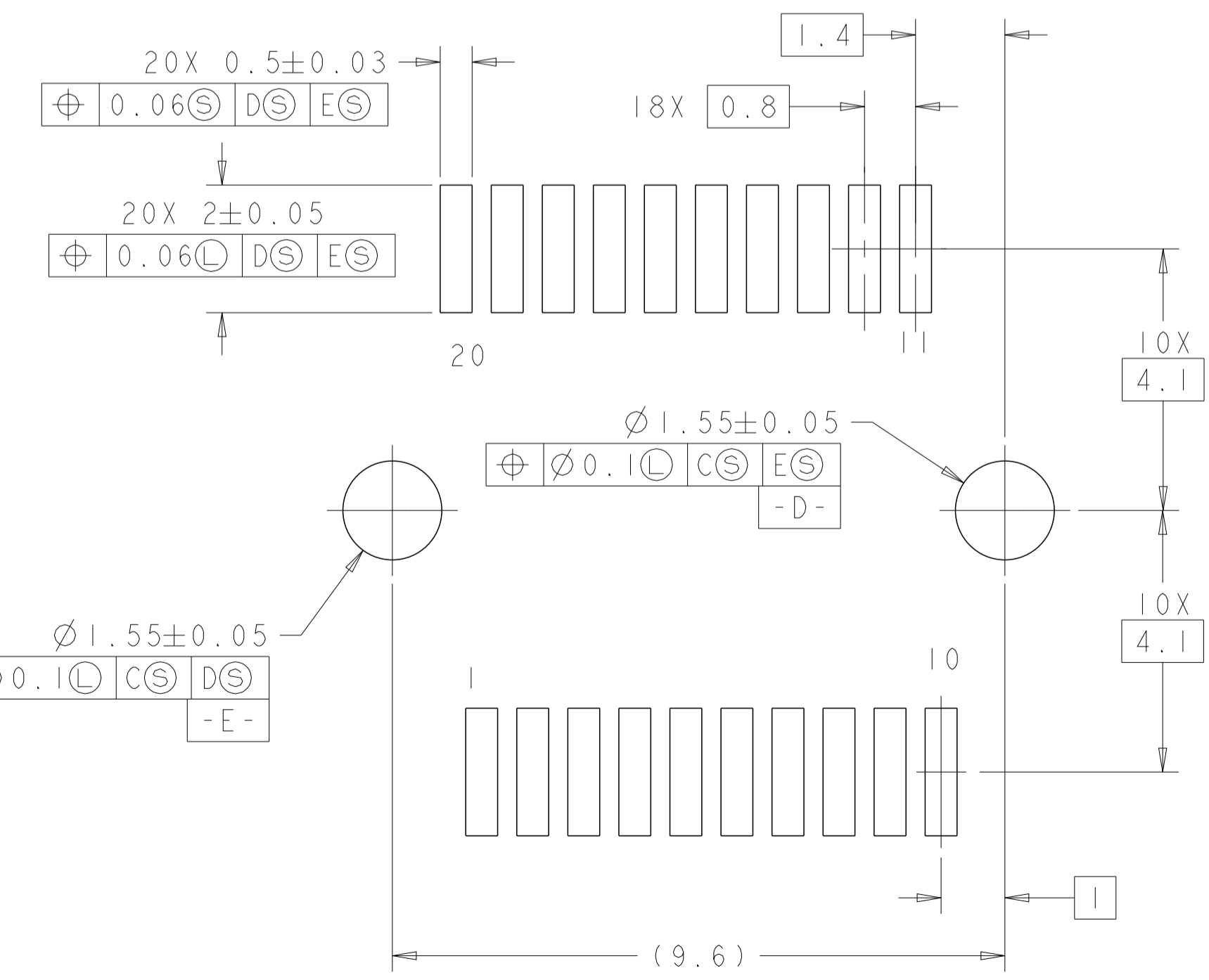
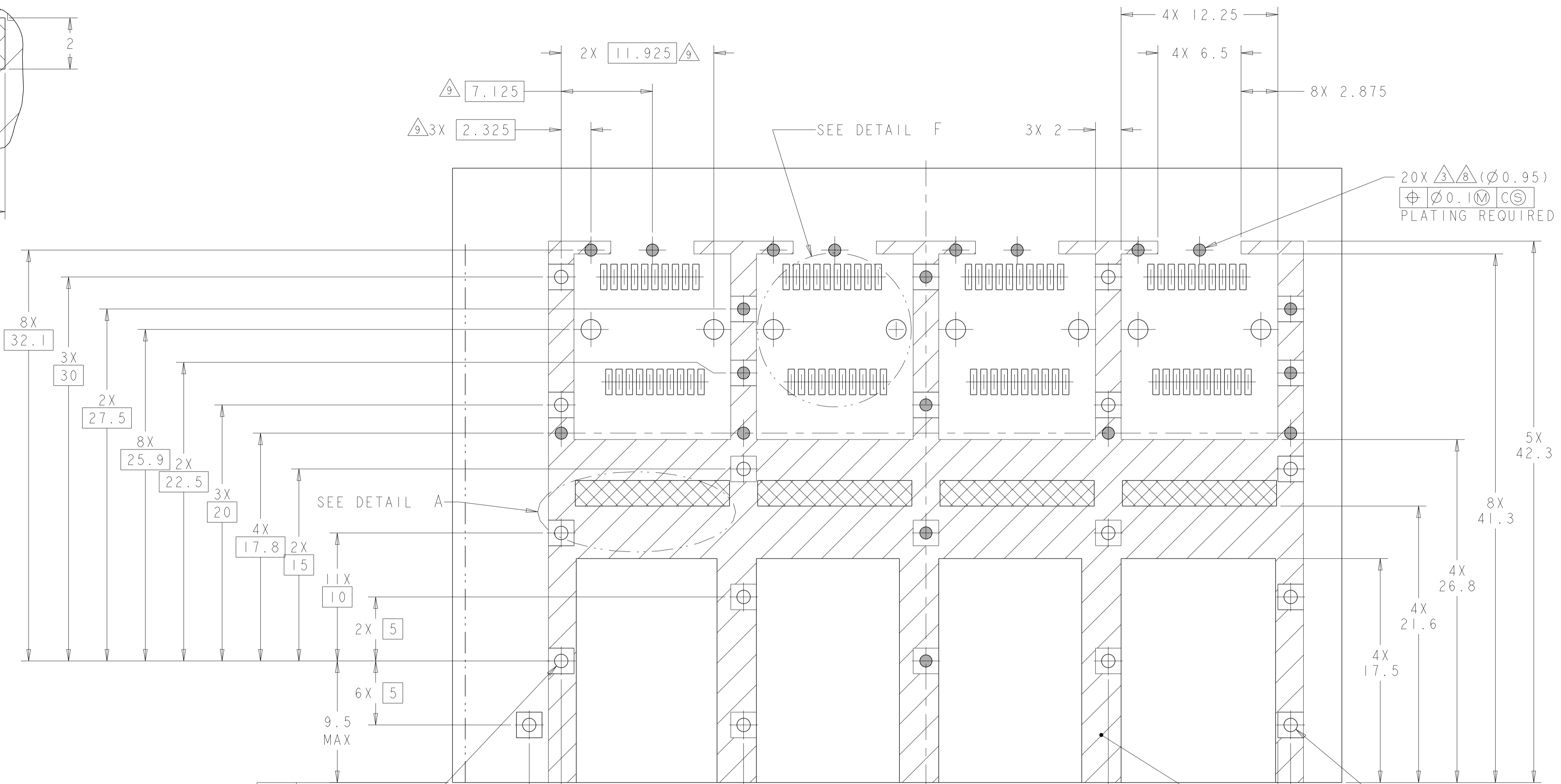
CROSS-HATCHED AREA DENOTES  
COMPONENT AND TRACE KEEP-OUT  
(EXCEPT CHASSIS GROUND)

THIS DRAWING IS A CONTROLLED DOCUMENT.		DMN M. SCHMITT 23AUG2010	TE Connectivity
DIMENSIONS: mm		CHK M. SCHMITT 23AUG2010	
TOLERANCES UNLESS OTHERWISE SPECIFIED:		APVD B. WERTZ 23AUG2010	NAME SFP+ ENHANCED 1X4 CAGE ASSEMBLY PRESS FIT, EXTERNAL EMI SPRINGS WITH HEATSINK
0 PLC ±0.1	1 PLC ±0.1	PRODUCT SPEC 108-2364	SIZE CAGE CODE DRAWING NO RESTRICTED TO
2 PLC ±0.1	3 PLC ±0.1	APPLICATION SPEC 114-13120	A1 00779 C=2149730
4 PLC ±0.1	ANGLES ±1°	WEIGHT	SCALE 5:1 SHEET 8 OF 10 REV A8
MATERIAL	FINISH	Customer Drawing	





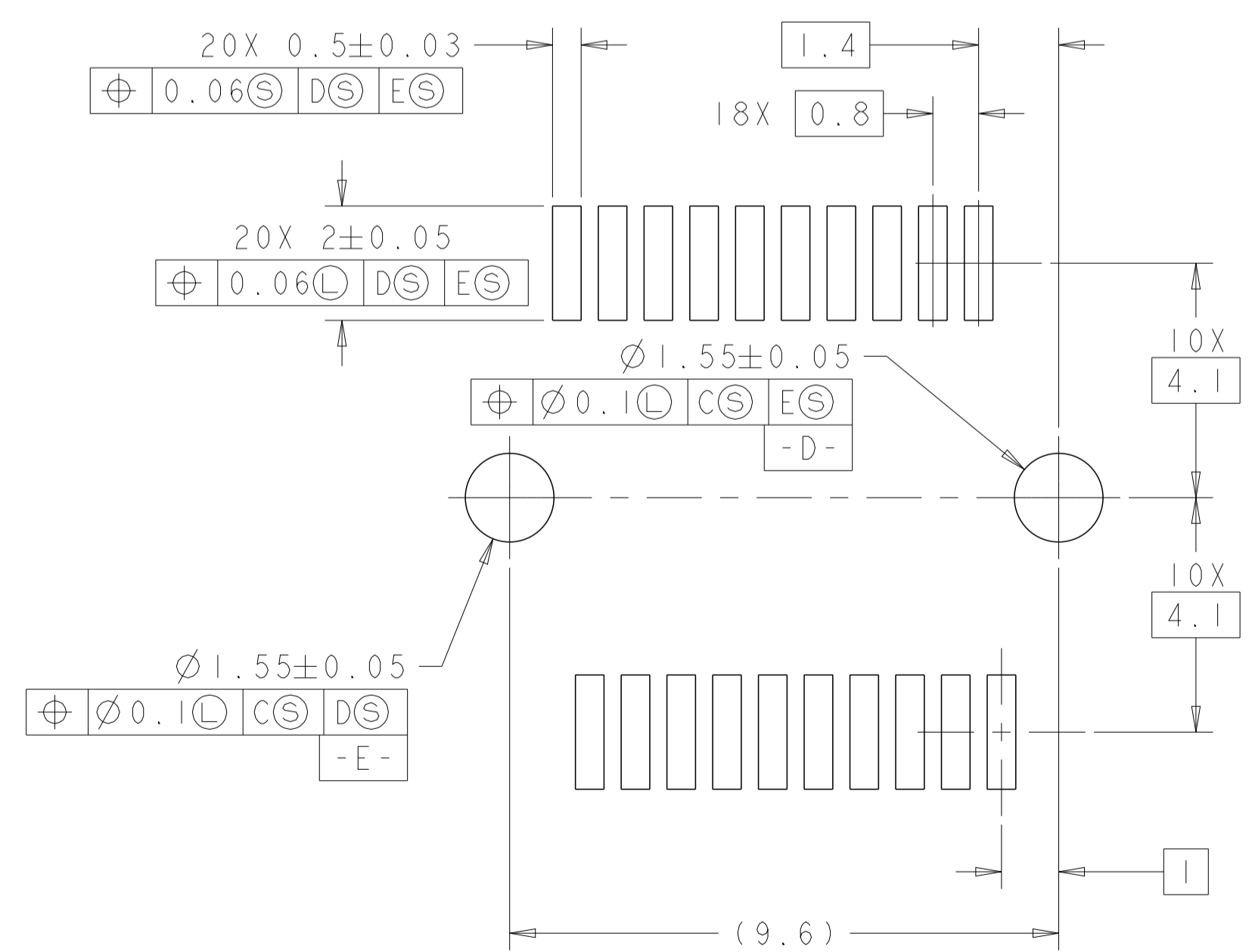
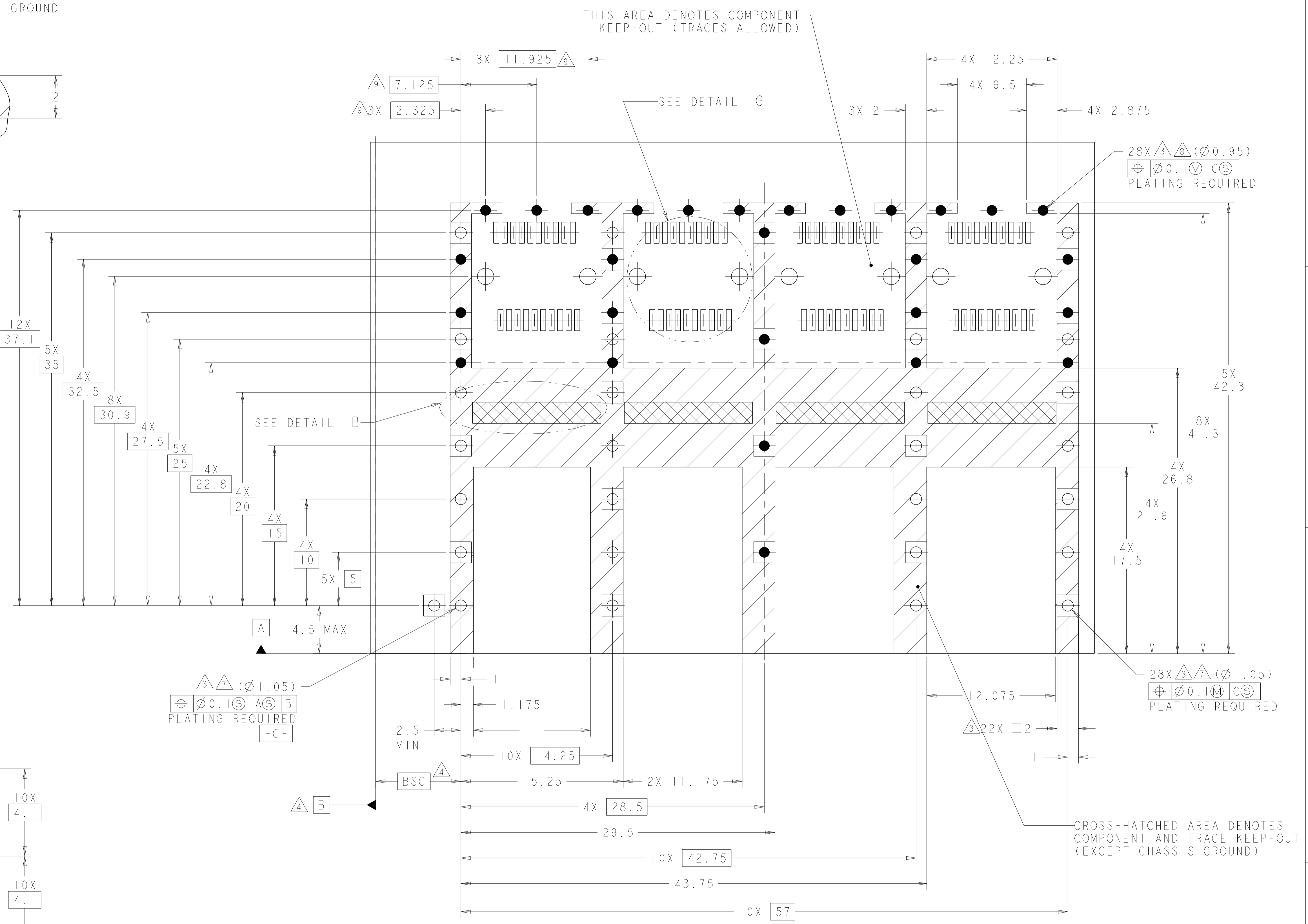
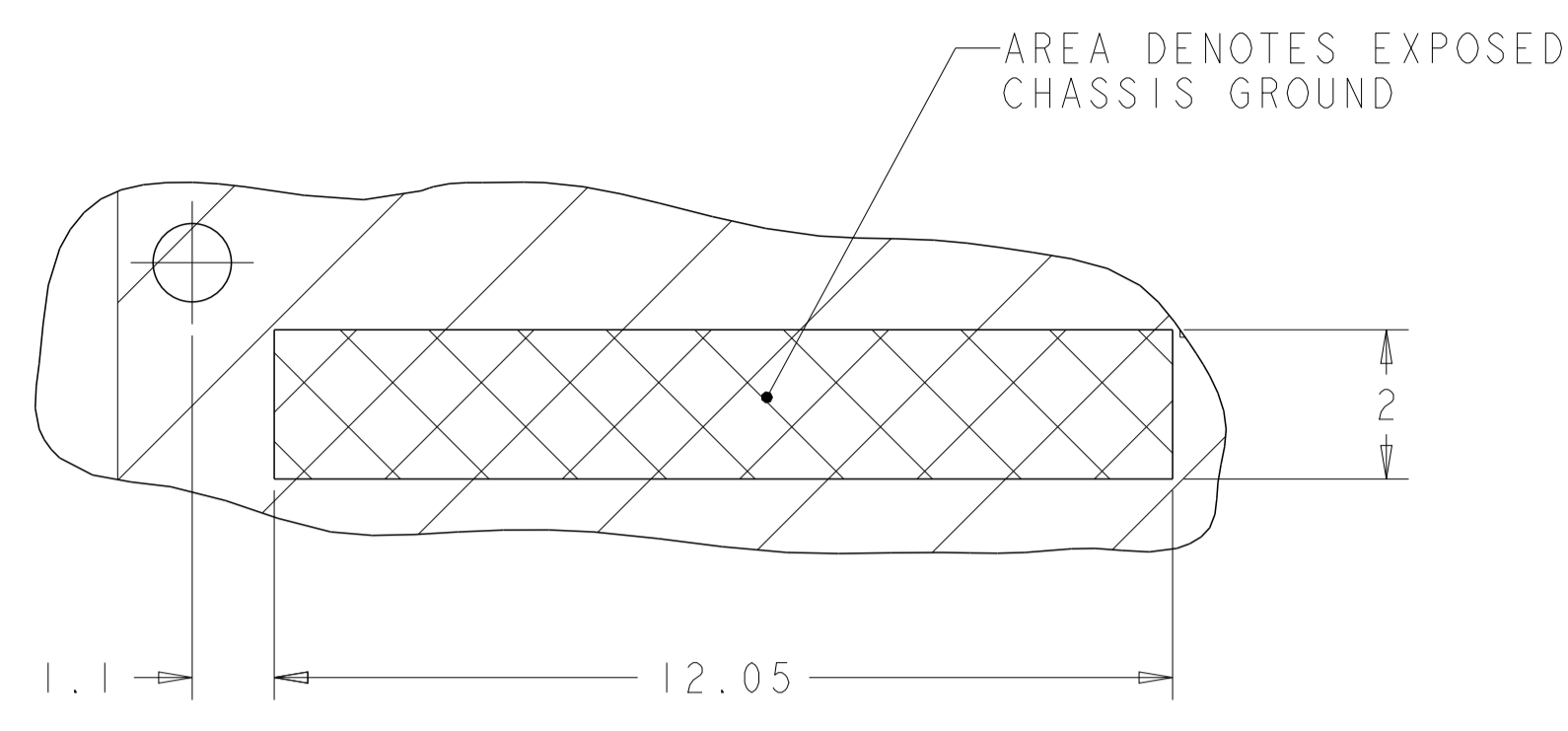
DETAIL A  
4X INDIVIDUALLY  
SCALE 10:1



DETAIL F  
RECOMMENDED PT CONNECTOR LAYOUT  
SCALE 12:1

RECOMMENDED PCB CONFIGURATION  
WITH KEEP-OUT AREAS  
SINGLE SIDED APPLICATIONS  
WITH INSULATING TAPE

THIS DRAWING IS A CONTROLLED DOCUMENT.		DWN M. SCHMITT 23AUG2010	TE Connectivity
DIMENSIONS: mm		CHK M. SCHMITT 23AUG2010	
TOLERANCES UNLESS OTHERWISE SPECIFIED:		APVD B. WERTZ 23AUG2010	NAME
0 PLC	±0.1	PRODUCT SPEC	SFP+ ENHANCED 1X4 CAGE ASSEMBLY
1 PLC	±0.1	APPLICATION SPEC	PRESS FIT, EXTERNAL EMI SPRINGS
2 PLC	±0.1	108-2364	WITH HEATSINK
3 PLC	±0.1	114-13120	SIZE CAGE CODE DRAWING NO
4 PLC	±0.1	Customer Drawing	A100779C=2149730
ANGLES	±1°	SCALE	5:1
FINISH		SHEET	9 OF 10
		REV	A8



RECOMMENDED PCB CONFIGURATION WITH KEEP-OUT AREAS BELLY TO BELLY APPLICATIONS WITH INSULATING TAPE  $\Delta$

THIS DRAWING IS A CONTROLLED DOCUMENT.		OWN: M. SCHMITT 23AUG2010	TE Connectivity
DIMENSIONS: mm		CHK: M. SCHMITT 23AUG2010	
TOLERANCES UNLESS OTHERWISE SPECIFIED:		APVD: B. WERTZ 23AUG2010	NAME: SFP+ ENHANCED 1X4 CAGE ASSEMBLY PRESS FIT, EXTERNAL EMI SPRINGS WITH HEATSINK
0 PLC $\pm 0.1$ 1 PLC $\pm 0.1$ 2 PLC $\pm 0.1$ 3 PLC $\pm 0.1$ 4 PLC $\pm 0.1$ ANGLES $\pm 1^{\circ}$		PRODUCT SPEC: 108-2364	SIZE: CAGE CODE   DRAWING NO: A100779   C=2149730
MATERIAL: FINISH		APPLICATION SPEC: 114-13120	RESTRICTED TO: -
		WEIGHT: -	SCALE: 5:1 SHEET 10 OF 10 REV: A8
		Customer Drawing	