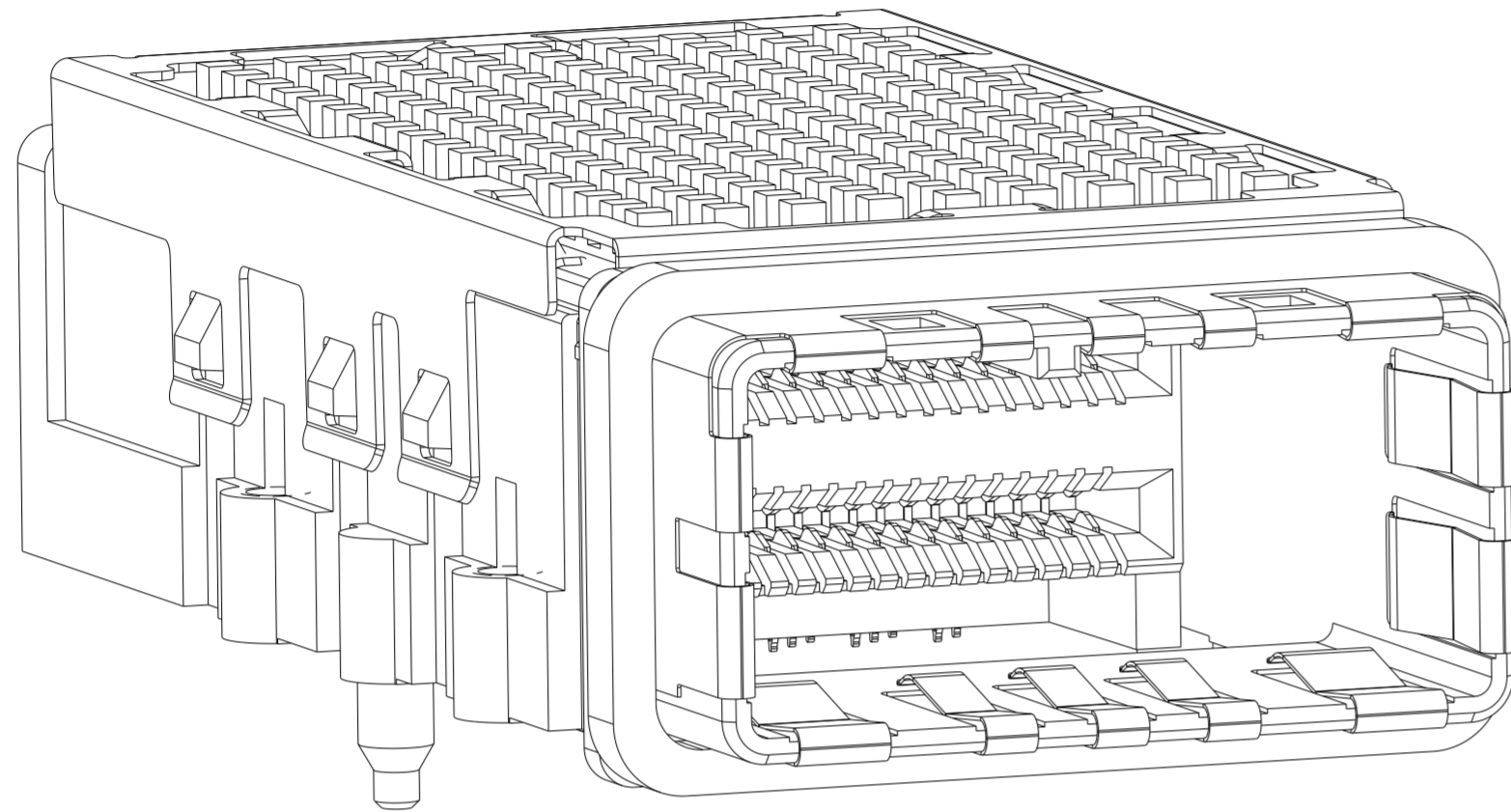
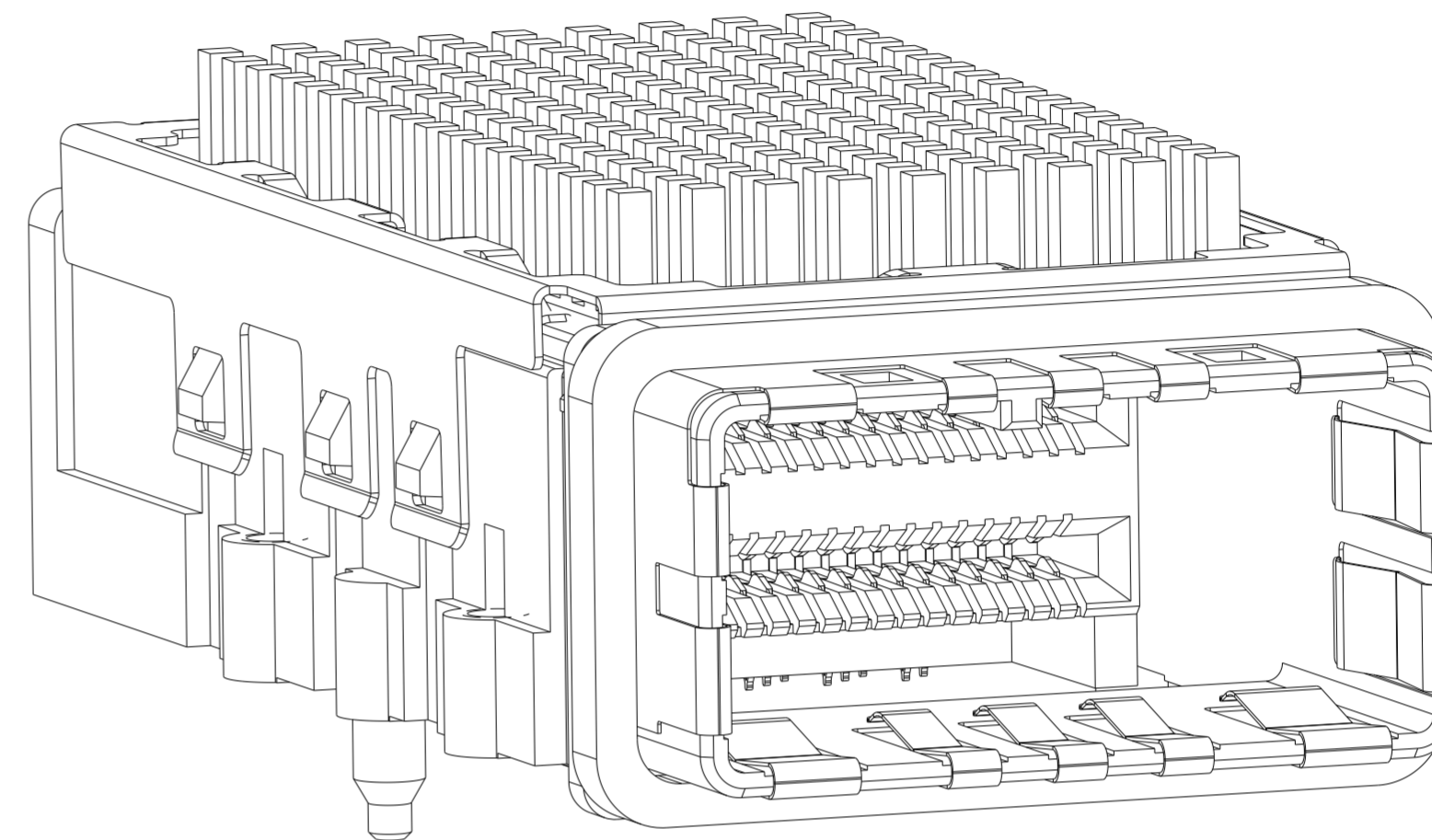


THIS DRAWING IS UNPUBLISHED. RELEASED FOR PUBLICATION 20
 © COPYRIGHT 20 BY - ALL RIGHTS RESERVED.

REVISIONS					
P	LTR	DESCRIPTION	DATE	DWN	APVD
A		RELEASED ECO-14-003843	31MAR2014	LAW	SB
A1		REVISED PER ECN-24-264411	06MAY2024	TR	SLB



2149157-1
SCALE 5:1



2149157-3
SCALE 5:1

OBSOLETE	23.5	2149448-2	3	84 POSITION RECEPTACLE ASSEMBLY WITH HEAT SINK	2149157-6
OBSOLETE	23.5	2149448-1	2	84 POSITION RECEPTACLE ASSEMBLY WITH HEAT SINK	2149157-5
OBSOLETE	16.5	2149448-2	3	84 POSITION RECEPTACLE ASSEMBLY WITH HEAT SINK	2149157-4
OBSOLETE	16.5	2149448-1	2	84 POSITION RECEPTACLE ASSEMBLY WITH HEAT SINK	2149157-3
OBSOLETE	14.2	2149448-2	3	84 POSITION RECEPTACLE ASSEMBLY WITH HEAT SINK	2149157-2
OBSOLETE	14.2	2149448-1	2	84 POSITION RECEPTACLE ASSEMBLY WITH HEAT SINK	2149157-1
E		RECEPTACLE HOUSING SUB-ASSEMBLY	FINISH	DESCRIPTION	PART NUMBER

THIS DRAWING IS A CONTROLLED DOCUMENT. DIMENSIONING AND TOLERANCING PER ASME Y14.5M-2009

DIMENSIONS:	TOLERANCES UNLESS OTHERWISE SPECIFIED:
mm	0 PLC ±0.15
	1 PLC ±0.15
	2 PLC ±0.15
	3 PLC ±
	4 PLC ±
	ANGLES ±
MATERIAL	FINISH

DWN	M. E. COWHER	09 JUN 2010
CHK	M. D. MORRISON	10 JUN 2010
APVD	M. D. MORRISON	10 JUN 2010
PRODUCT SPEC	108-2426	
APPLICATION SPEC	114-13283	
WEIGHT	-	

STE TE Connectivity

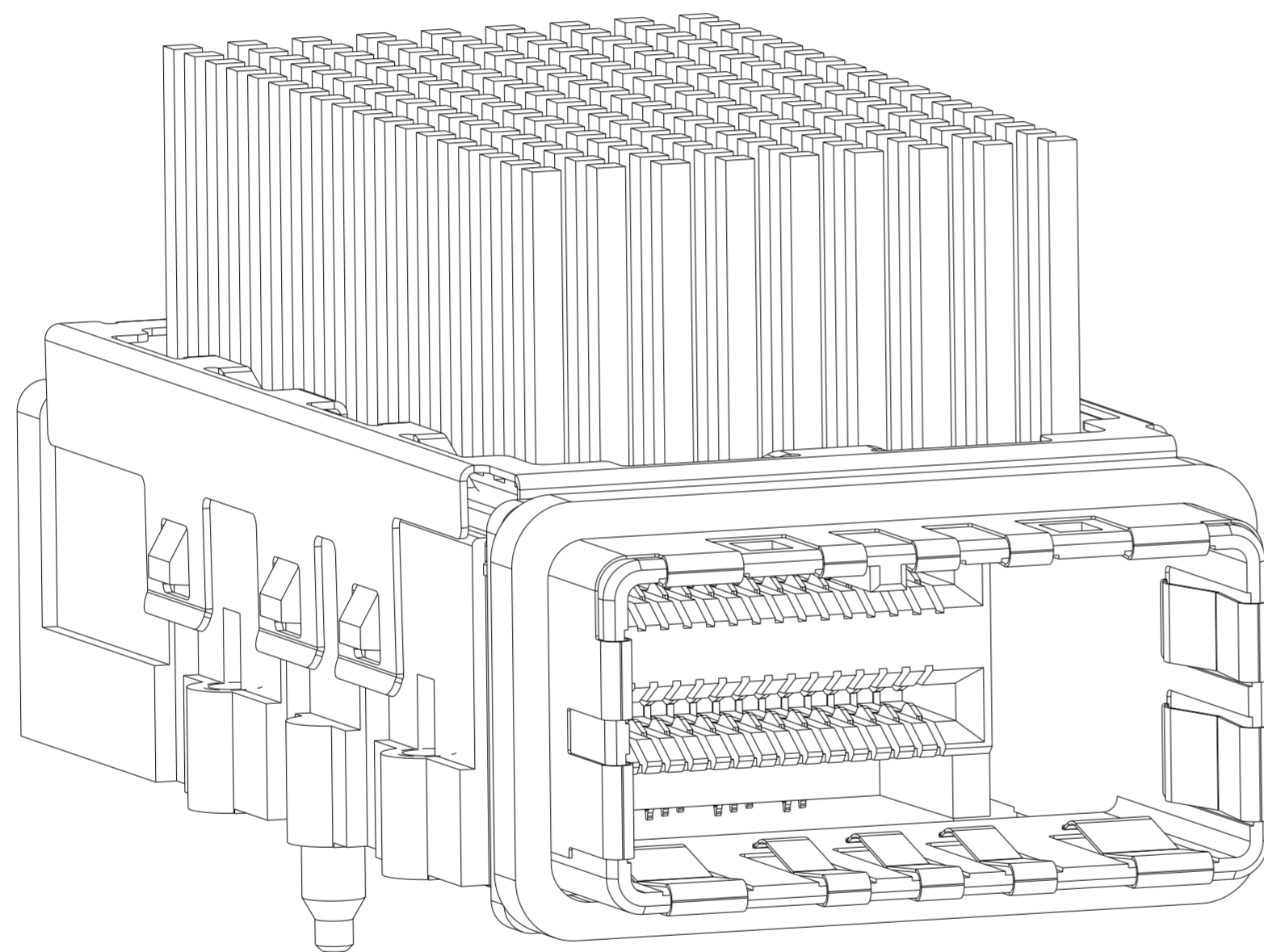
NAME RECEPTACLE ASSEMBLY WITH HEAT SINK, 84 POSITION, CXP

SIZE	CAGE CODE	DRAWING NO	RESTRICTED TO
A2	00779	C-2149157	-

Customer Drawing SCALE 1:1 SHEET 1 OF 5 REV A1

THIS DRAWING IS UNPUBLISHED. RELEASED FOR PUBLICATION 20
 © COPYRIGHT 20 BY - ALL RIGHTS RESERVED.

REVISIONS				
P	LTR	DESCRIPTION	DATE	APVD
-		SEE SHEET 1	-	-



2149157-5
SCALE 5:1

1. MATERIALS:
 HOUSING - ZINC ALLOY
 EMI GASKET - CONDUCTIVE URETHANE FOAM
 RECEPTACLE HOUSING - LCP, BLACK, UL 94V-0 RATED
 CHICKLET - LCP, BLACK, UL 94V-0 RATED
 CONTACT - PHOSPHOR BRONZE
 EMI SPRING - COPPER ALLOY
 HEAT SINK - ALUMINUM
 CLIP, HEAT SINK - STAINLESS STEEL


2. FINISH:
 CONTACT-CONFORMS TO THE REQUIREMENTS OF TE
 PRODUCT SPECIFICATION 108-2426, BASED ON EIA/ECA-364-1000.01A,
 (CONTROLLED ENVIRONMENT APPLICATIONS) ON MATING INTERFACE,
 MATTE TIN PLATE OVER NICKEL UNDERPLATE ON COMPLAINT PIN
 HOUSING & HEATSINK - NICKEL PLATE

3. NOTE DELETED
 4. PCB THICKNESS = 1.57 MIN
 5. FOR HOLE SIZE AND FINISHES, SEE APPLICATION SPEC 114-13283

6. THE ENTIRE AREA OF THE CONNECTOR FOOTPRINT, INDICATED
 BY CROSSHATCHING, TO BE CONSIDERED THE KEEPOUT AREA FOR
 COMPONENTS AND SIGNAL TRACES, TOP SIDE ONLY, TOP SIDE
 TRACES ALLOWED WITHIN CONNECTOR HOLE PATTERN, CROSSHATCHING
 TO BE CONDUCTIVE

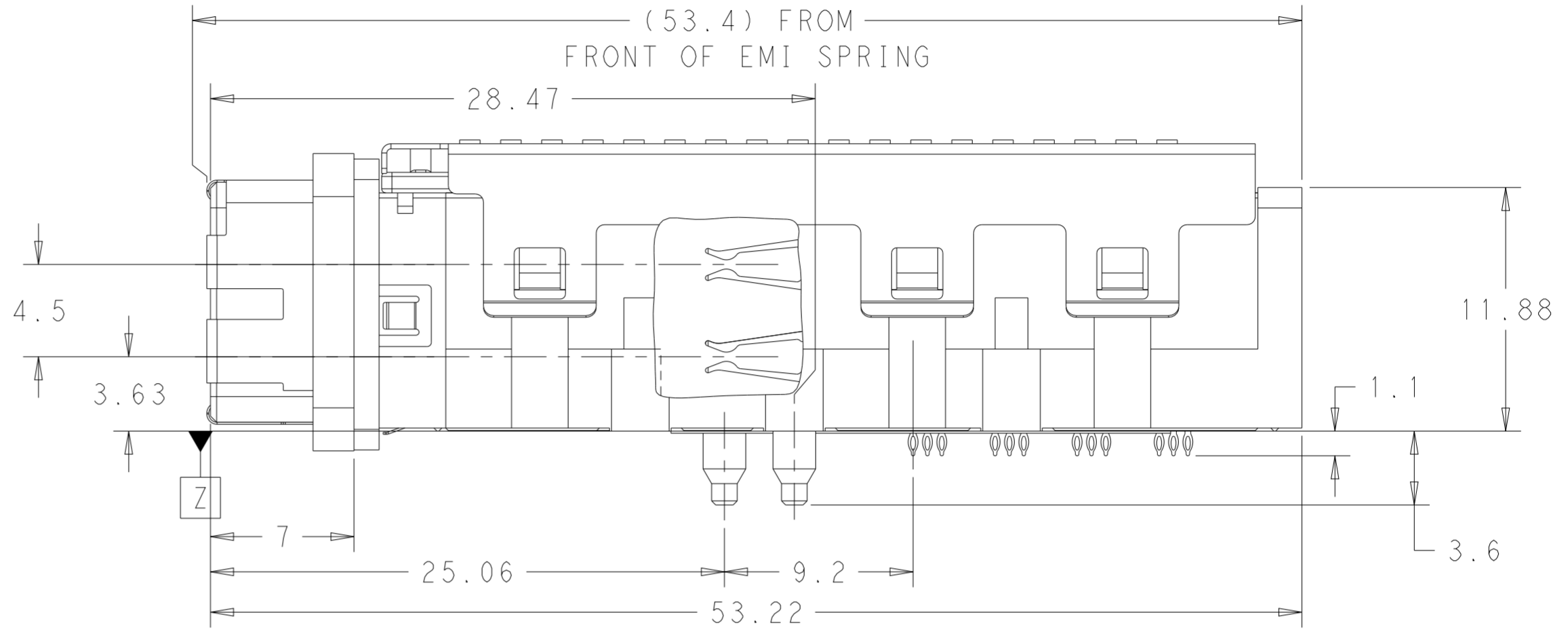
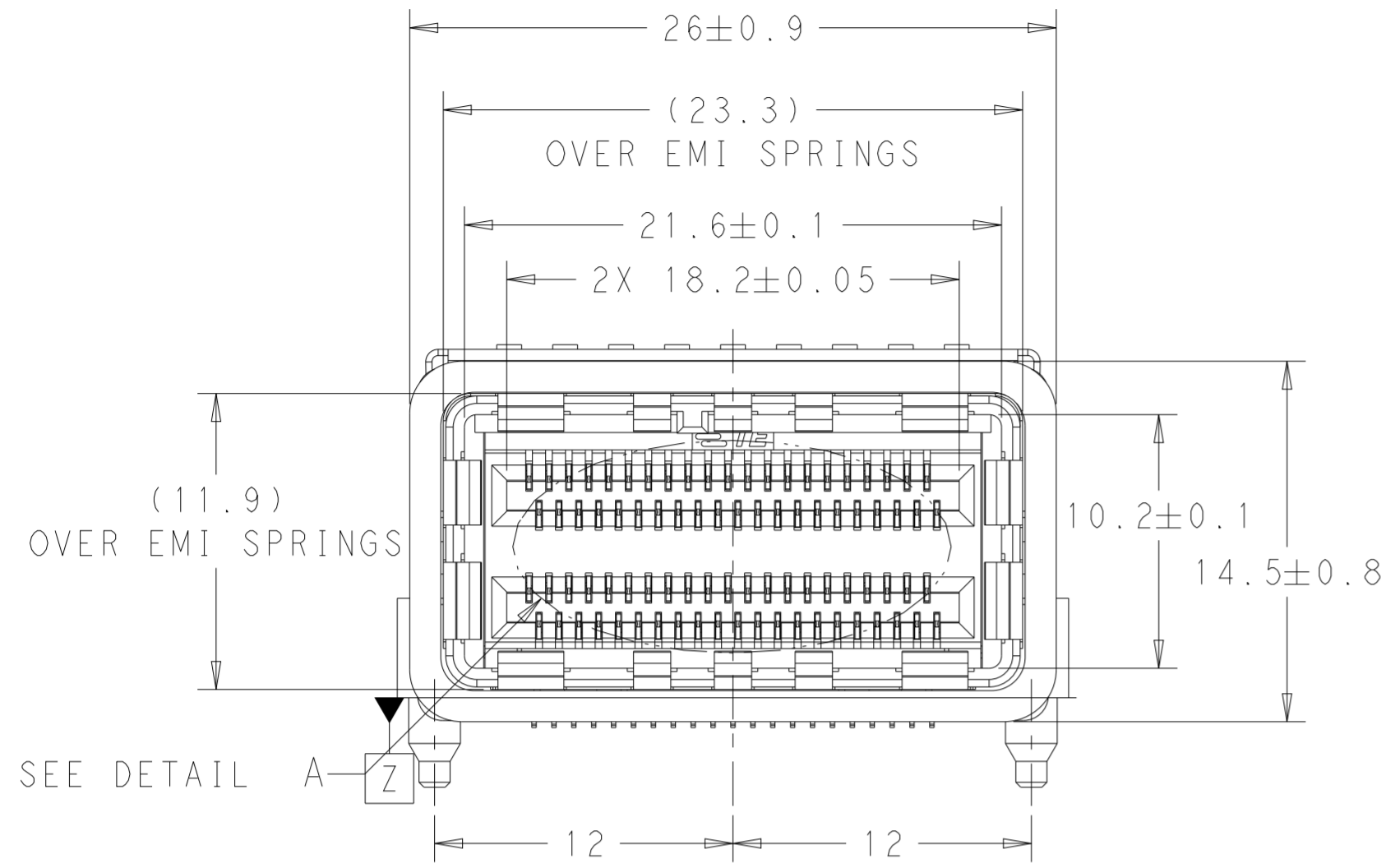
7. MOUNTING HARDWARE REQUIRED:
 M2x0.4 (4)
 MOUNTING SCREW LENGTH = BOARD THICKNESS PLUS 4mm MAX

8. COMPONENTS PACKAGED UNASSEMBLED

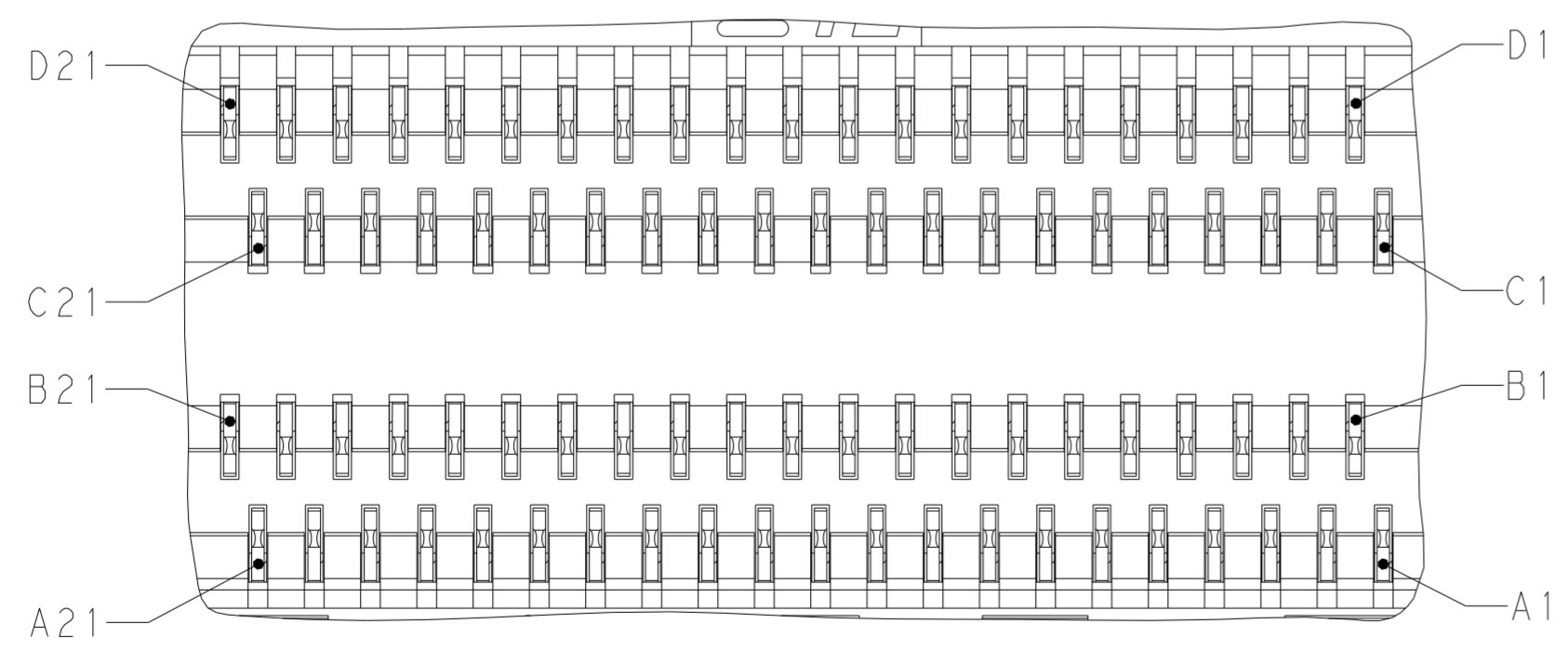
THIS DRAWING IS A CONTROLLED DOCUMENT. DIMENSIONING AND TOLERANCING PER ASME Y14.5M-2009		DWN M.E. COWHER 09 JUN 2010	 TE Connectivity	
DIMENSIONS: mm		CHK M.D. MORRISON 10 JUN 2010		
TOLERANCES UNLESS OTHERWISE SPECIFIED:		APVD M.D. MORRISON 10 JUN 2010	NAME RECEPTACLE ASSEMBLY WITH HEAT SINK, 84 POSITION, CXP	
0 PLC ±0.15 1 PLC ±0.15 2 PLC ±0.15 3 PLC ± 4 PLC ± ANGLES ± FINISH ±		PRODUCT SPEC 108-2426	RESTRICTED TO	
MATERIAL		APPLICATION SPEC 114-13283	SIZE A2	CAGE CODE 00779
1		WEIGHT -	DRAWING NO C-2149157	SCALE 1:1
		Customer Drawing		SHEET 2 OF 5
				REV A1

THIS DRAWING IS UNPUBLISHED. RELEASED FOR PUBLICATION 20
 © COPYRIGHT 20 BY - ALL RIGHTS RESERVED.

REVISIONS				
P	LTR	DESCRIPTION	DATE	APVD
-	-	SEE SHEET 1	-	-



2149157-1
 SCALE 4:1



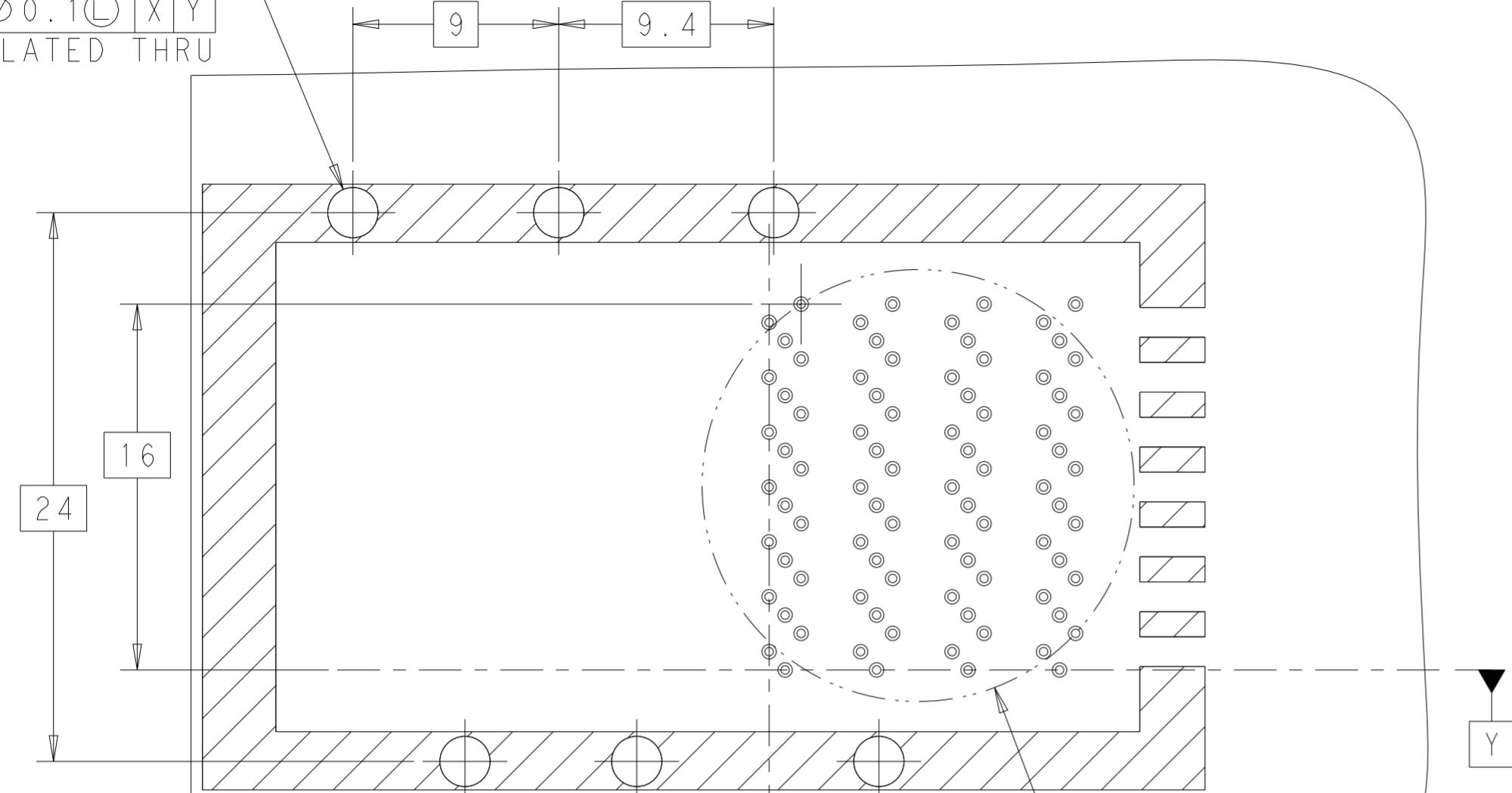
DETAIL A
 CONNECTOR PIN CALLOUT
 SCALE 10:1

THIS DRAWING IS A CONTROLLED DOCUMENT. DIMENSIONING AND TOLERANCING PER ASME Y14.5M-2009		DWN 09 JUN 2010 M. E. COWHER	TE Connectivity
DIMENSIONS: mm		CHK 10 JUN 2010 M. D. MORRISON	
TOLERANCES UNLESS OTHERWISE SPECIFIED:		APVD 10 JUN 2010 M. D. MORRISON	NAME RECEPTACLE ASSEMBLY WITH HEAT SINK, 84 POSITION, CXP
0 PLC ±0.15 1 PLC ±0.15 2 PLC ±0.15 3 PLC ± 4 PLC ± ANGLES ± FINISH ±		PRODUCT SPEC 108-2426	SIZE -
MATERIAL		APPLICATION SPEC 114-13283	CAGE CODE A200779
		WEIGHT -	DRAWING NO C-2149157
		Customer Drawing	RESTRICTED TO -
		SCALE 4:1	SHEET 3 OF 5
			REV A1

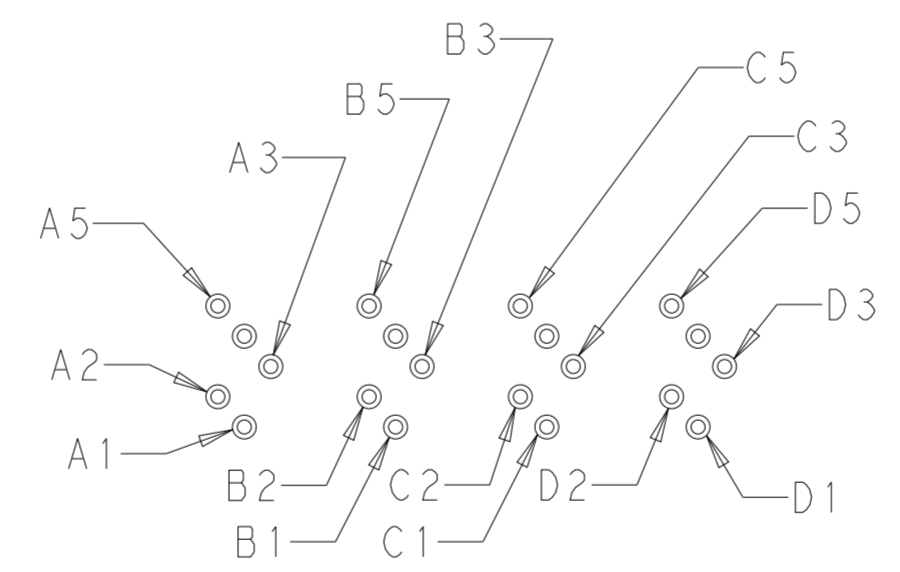
THIS DRAWING IS UNPUBLISHED. RELEASED FOR PUBLICATION 20
 © COPYRIGHT 20 BY - ALL RIGHTS RESERVED.

REVISIONS					
P	LTR	DESCRIPTION	DATE	DWN	APVD
-	-	SEE SHEET 1	-	-	-

6X $\varnothing 2.2 \pm 0.05$
 $\oplus \varnothing 0.1 \text{ L X Y}$
 PLATED THRU

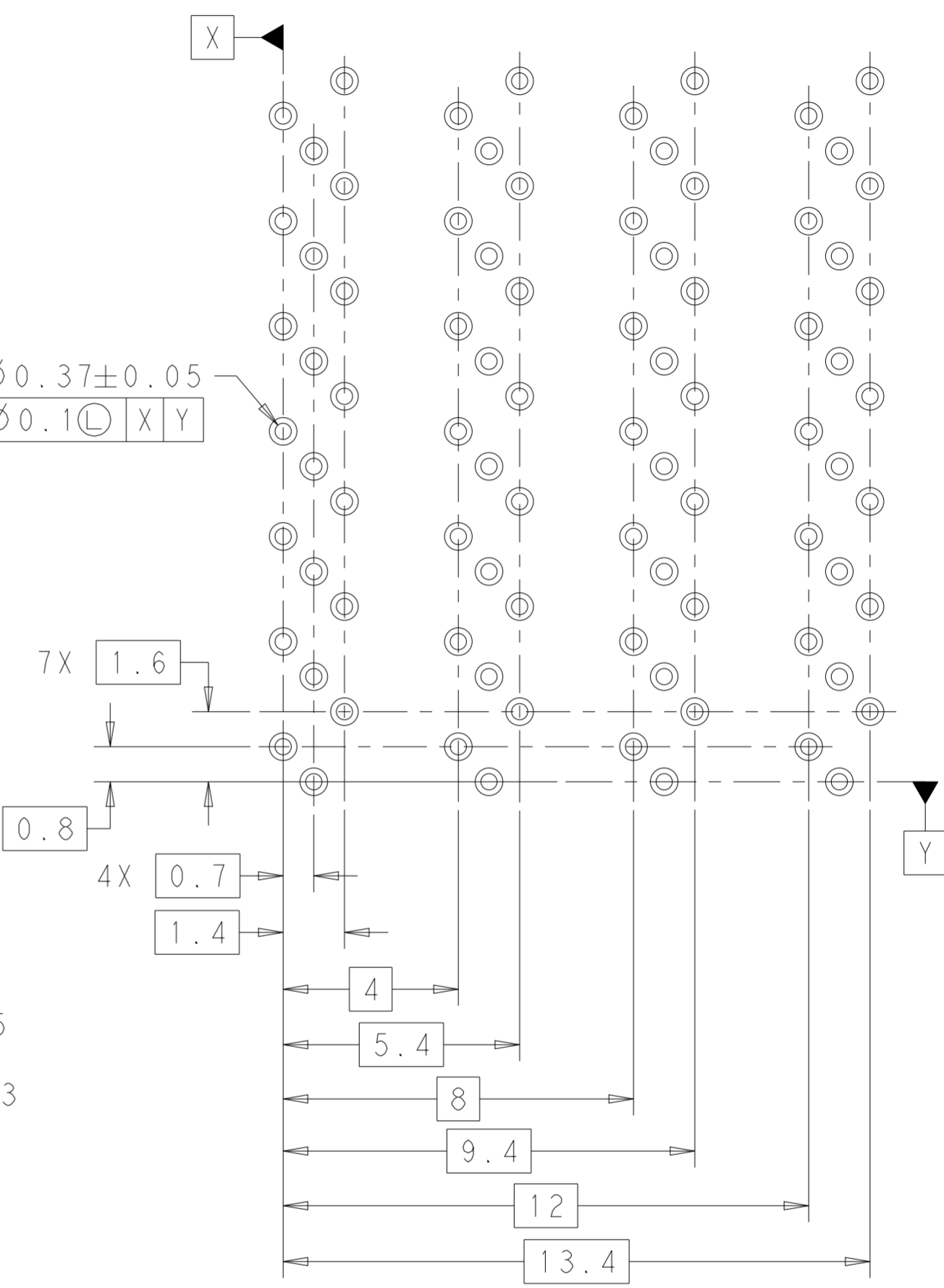


SEE DETAIL C
 RECOMMENDED PCB LAYOUT
 COMPONENT SIDE SHOWN
 SCALE 4:1

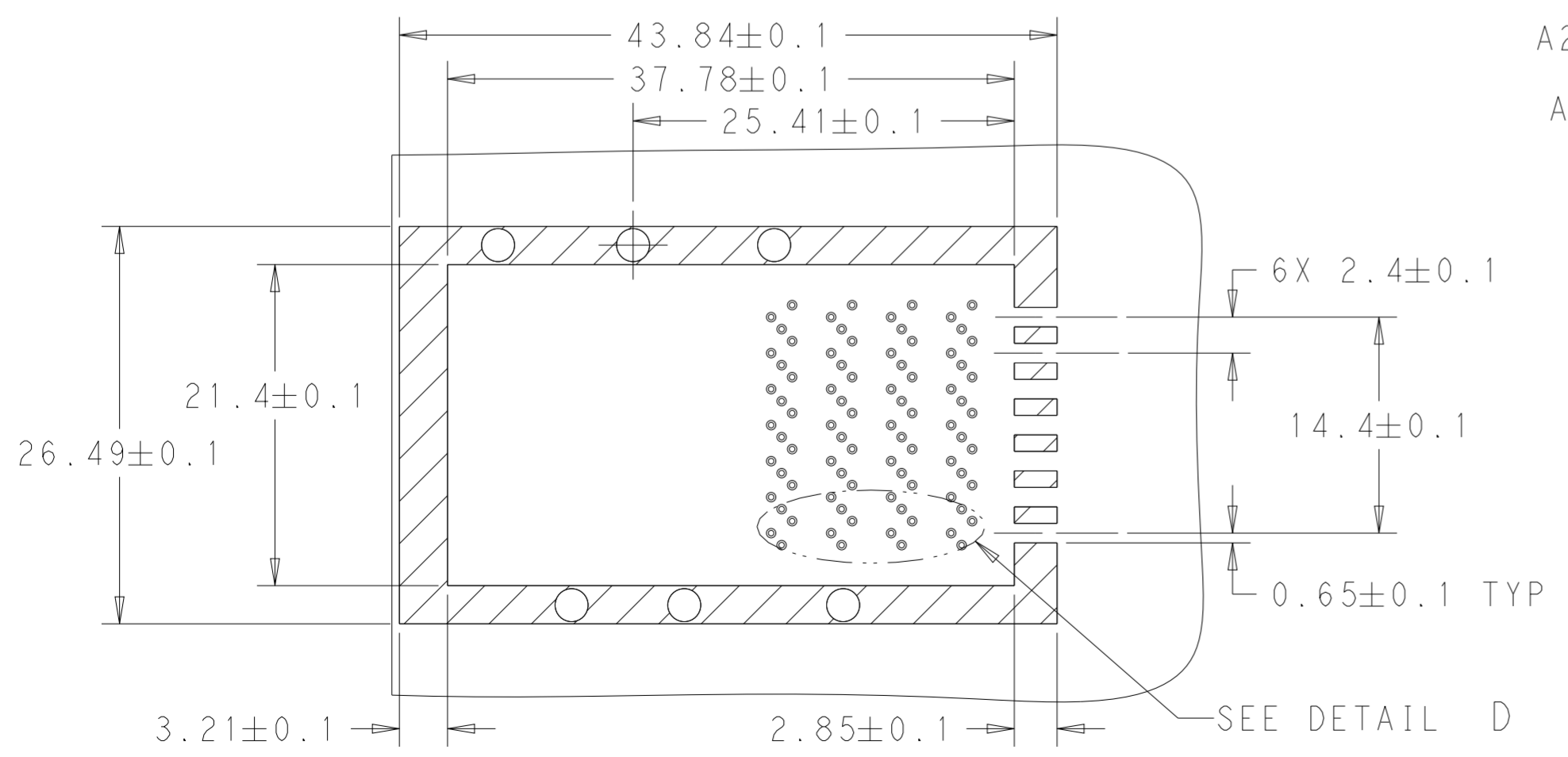


DETAIL D
 PIN CALLOUT (TYPICAL)
 SCALE 5:1

84X $\varnothing 0.37 \pm 0.05$
 $\oplus \varnothing 0.1 \text{ L X Y}$



DETAIL C
 RECOMMENDED CONNECTOR LAYOUT
 SCALE 8:1

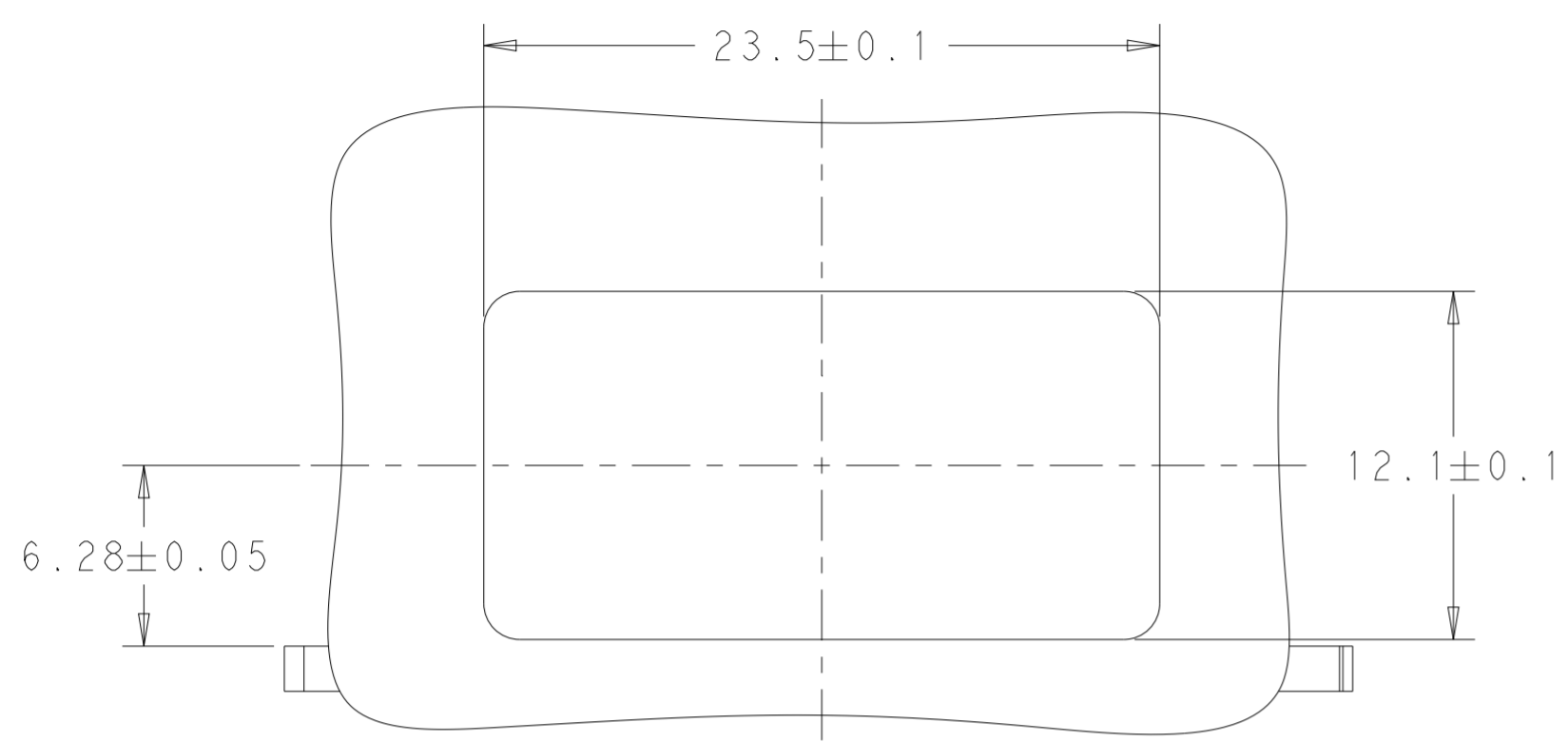


RECOMMENDED KEEPOUT AREA
 SCALE 5:2

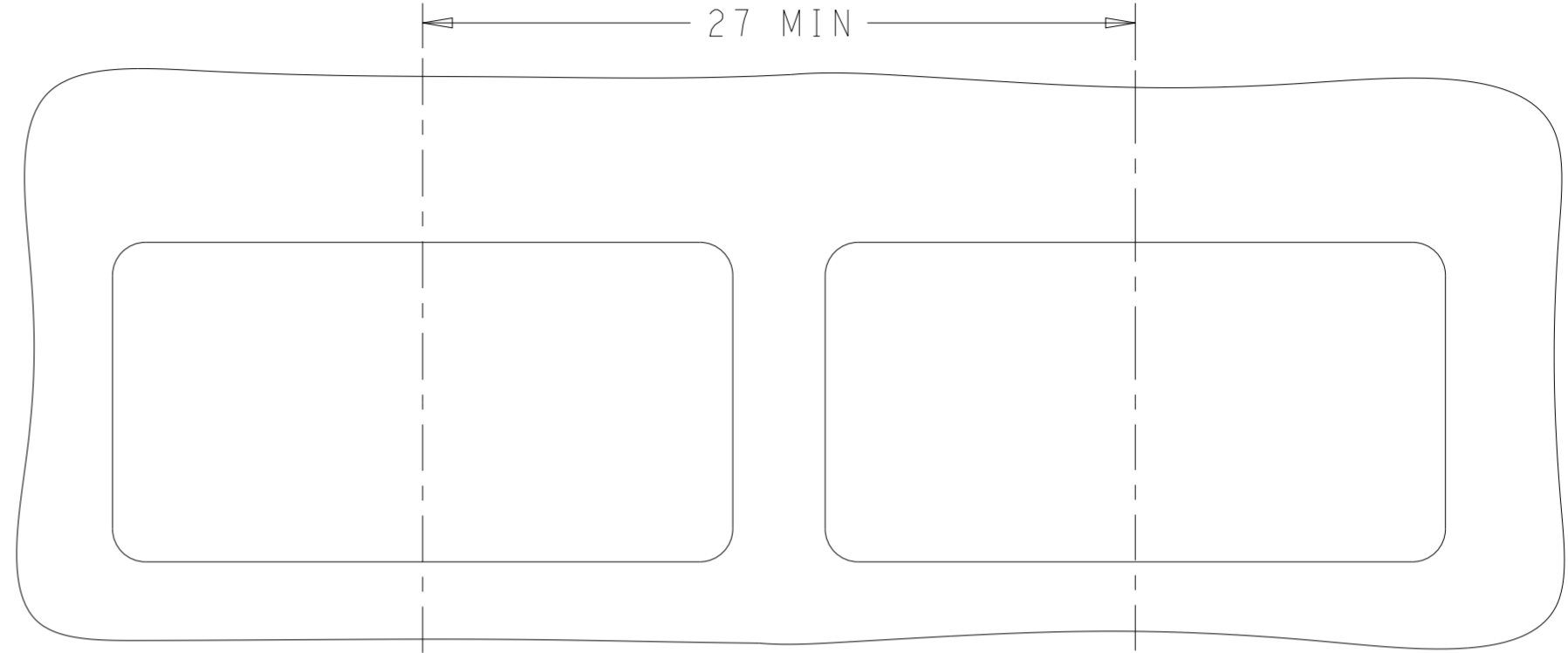
THIS DRAWING IS A CONTROLLED DOCUMENT. DIMENSIONING AND TOLERANCING PER ASME Y14.5M-2009		DWN M. E. COWHER 09 JUN 2010	TE Connectivity	
DIMENSIONS: mm		CHK M. D. MORRISON 10 JUN 2010		
TOLERANCES UNLESS OTHERWISE SPECIFIED:		APVD M. D. MORRISON 10 JUN 2010	NAME RECEPTACLE ASSEMBLY WITH HEAT SINK, 84 POSITION, CXP	
0 PLC ±0.15		PRODUCT SPEC 108-2426	SIZE A2	
1 PLC ±0.15		APPLICATION SPEC 114-13283	CAGE CODE 00779	DRAWING NO C-2149157
2 PLC ±0.15		WEIGHT -	RESTRICTED TO -	
3 PLC ±		Customer Drawing	SCALE 3:1	SHEET 4 OF 5
4 PLC ±				REV A1
ANGLES ±				
FINISH ±				

THIS DRAWING IS UNPUBLISHED. RELEASED FOR PUBLICATION 20
 © COPYRIGHT 20 BY - ALL RIGHTS RESERVED.

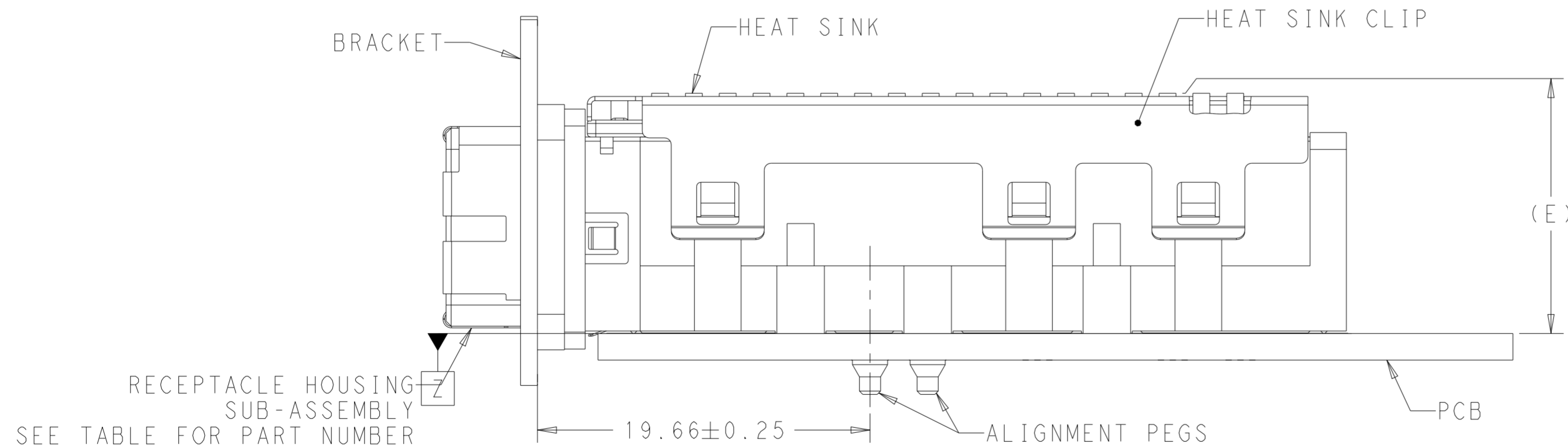
REVISIONS				
P	LTR	DESCRIPTION	DATE	APVD
-	-	SEE SHEET 1	-	-



RECOMMENDED BRACKET CUT-OUT
SCALE 4:1



RECOMMENDED BRACKET CUT-OUT SPACING
SCALE 4:1



RECOMMEND BRACKET LOCATION AND
HEIGHT OF HEAT SINK MEASURED FROM PCB
SCALE 4:1

THIS DRAWING IS A CONTROLLED DOCUMENT. DIMENSIONING AND TOLERANCING PER ASME Y14.5M-2009		DWN M. E. COWHER 09 JUN 2010	TE Connectivity	
DIMENSIONS: mm		CHK M. D. MORRISON 10 JUN 2010		
TOLERANCES UNLESS OTHERWISE SPECIFIED:		APVD M. D. MORRISON 10 JUN 2010	NAME RECEPTACLE ASSEMBLY WITH HEAT SINK, 84 POSITION, CXP	
0 PLC ±0.15 1 PLC ±0.15 2 PLC ±0.15 3 PLC ± 4 PLC ± ANGLES ± FINISH ±		PRODUCT SPEC 108-2426	RESTRICTED TO	
MATERIAL		APPLICATION SPEC 114-13283	SIZE A2	CAGE CODE 00779
		WEIGHT -	DRAWING NO C-2149157	SCALE 4:1
		Customer Drawing	SHEET 5 OF 5	REV A1