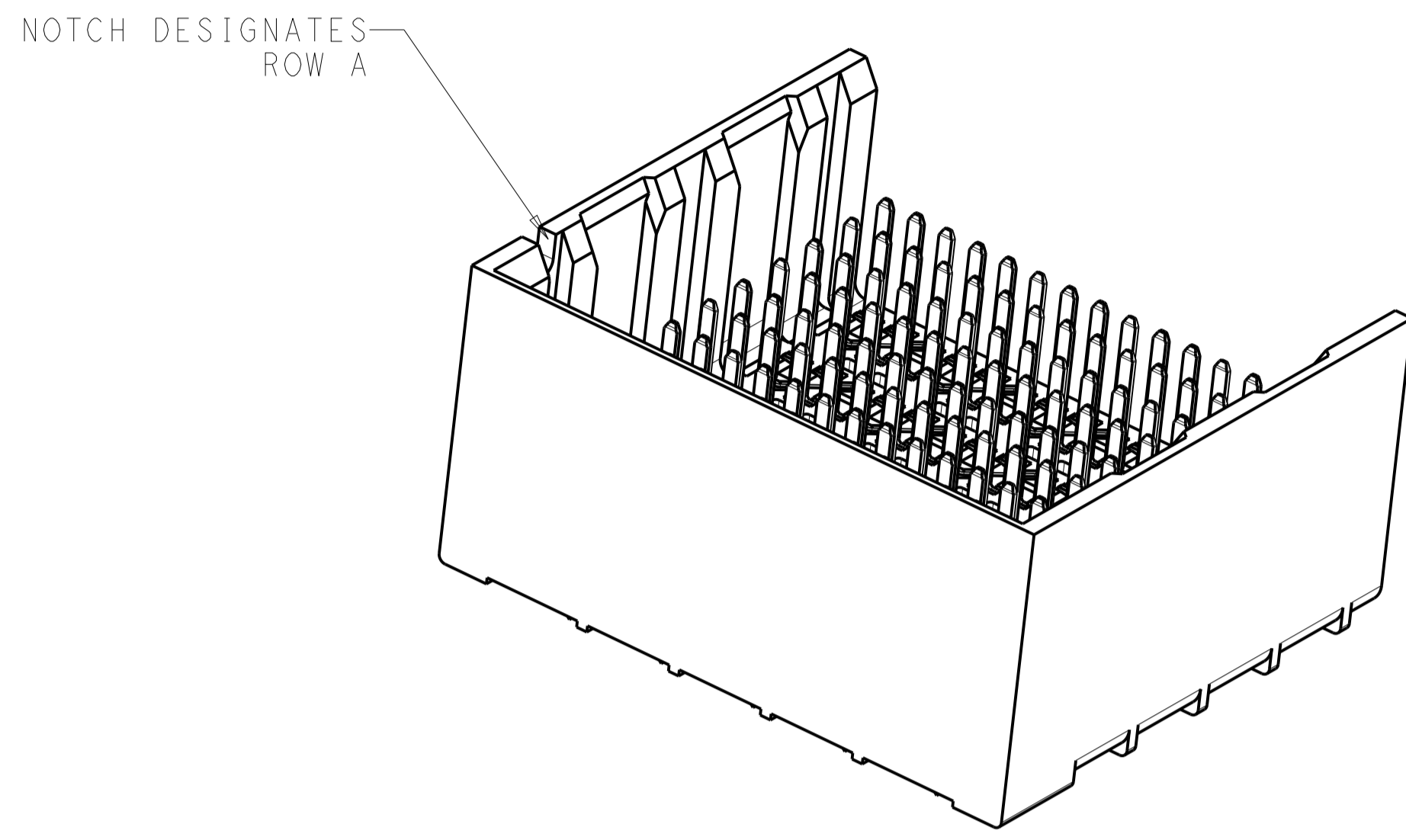
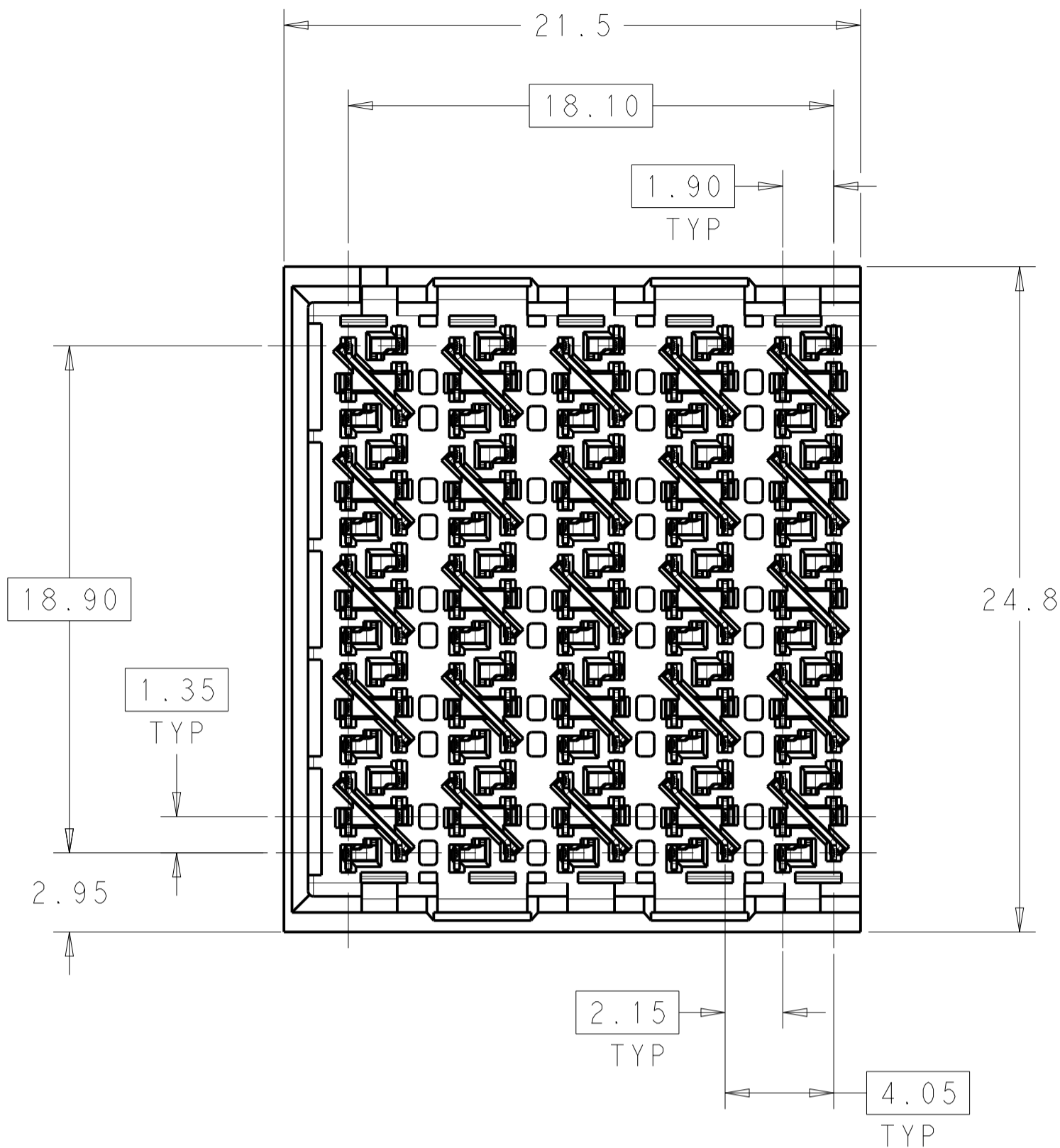
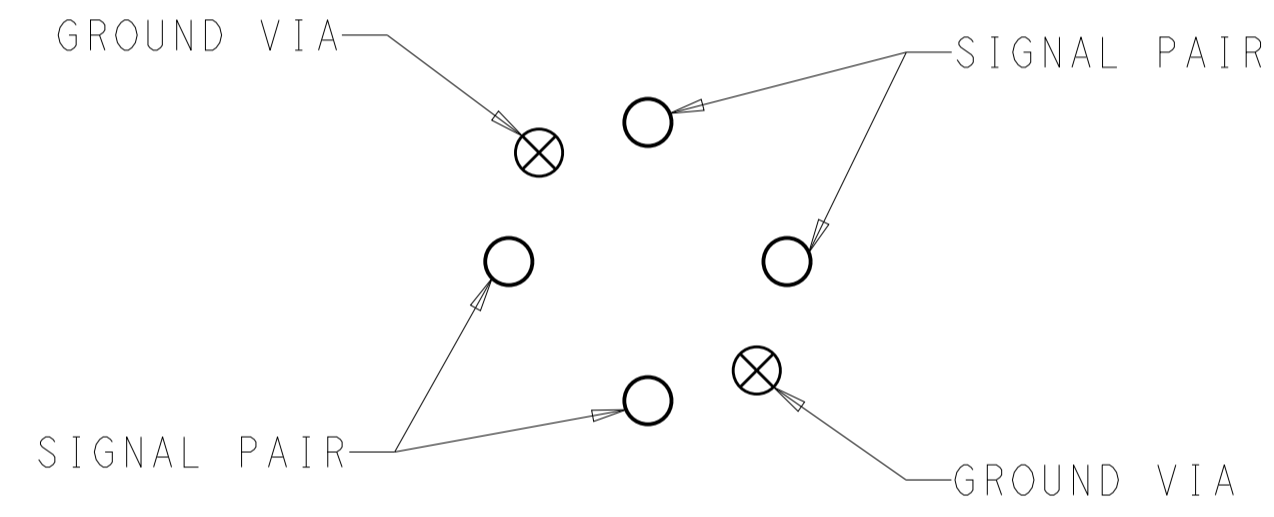


REVISIONS				
REV	DATE	DESCRIPTION	BY	APP'D
B	09SEP2014	REVISED PER ECO-14-013272	AP	DD

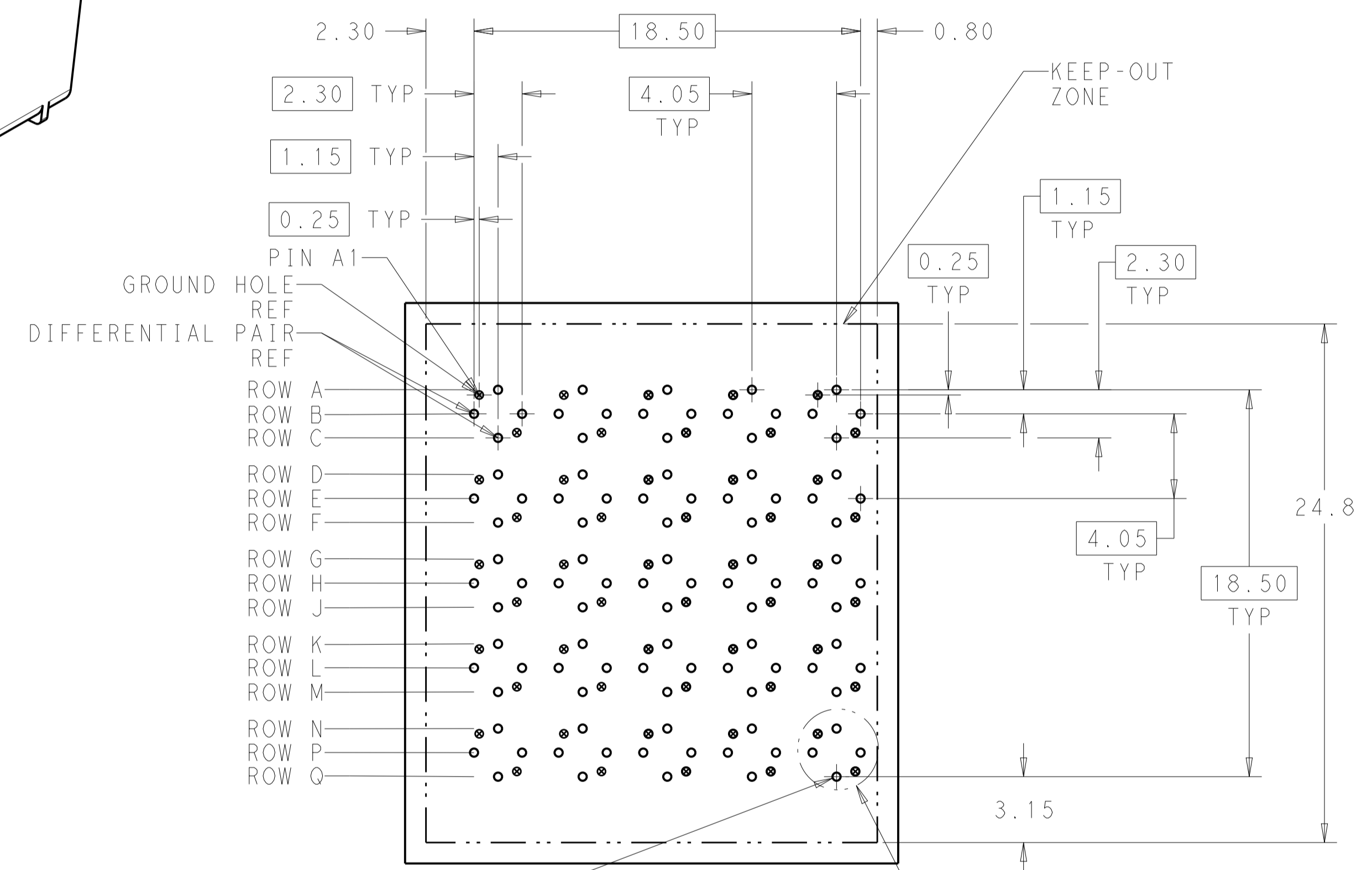


△ MATERIAL:  
HOUSING: LCP, GLASS FILLED, UL94V-0.  
TERMINALS: HIGH PERFORMANCE COPPER ALLOY.

△ FINISH:  
30μ" MIN GOLD IN CONTACT AREA. SELECTIVE TIN ON PCB TAILS, NICKEL OVERALL.



DETAIL X  
SCALE 16:1



150X  $\varnothing 0.39 \pm 0.08$   
PLATED THRU HOLE

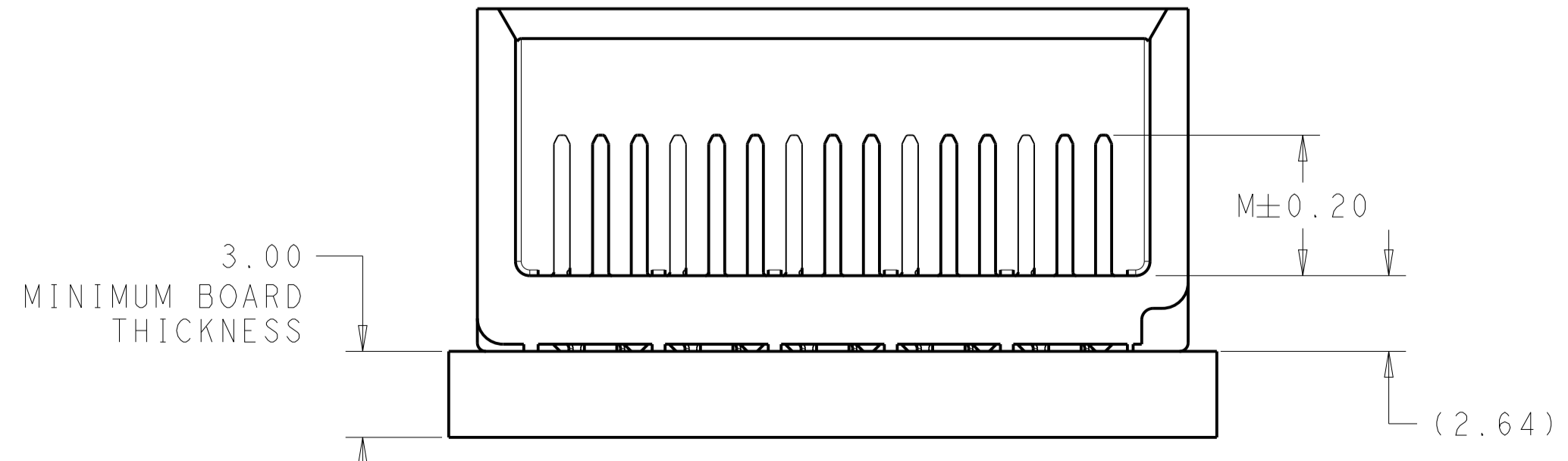
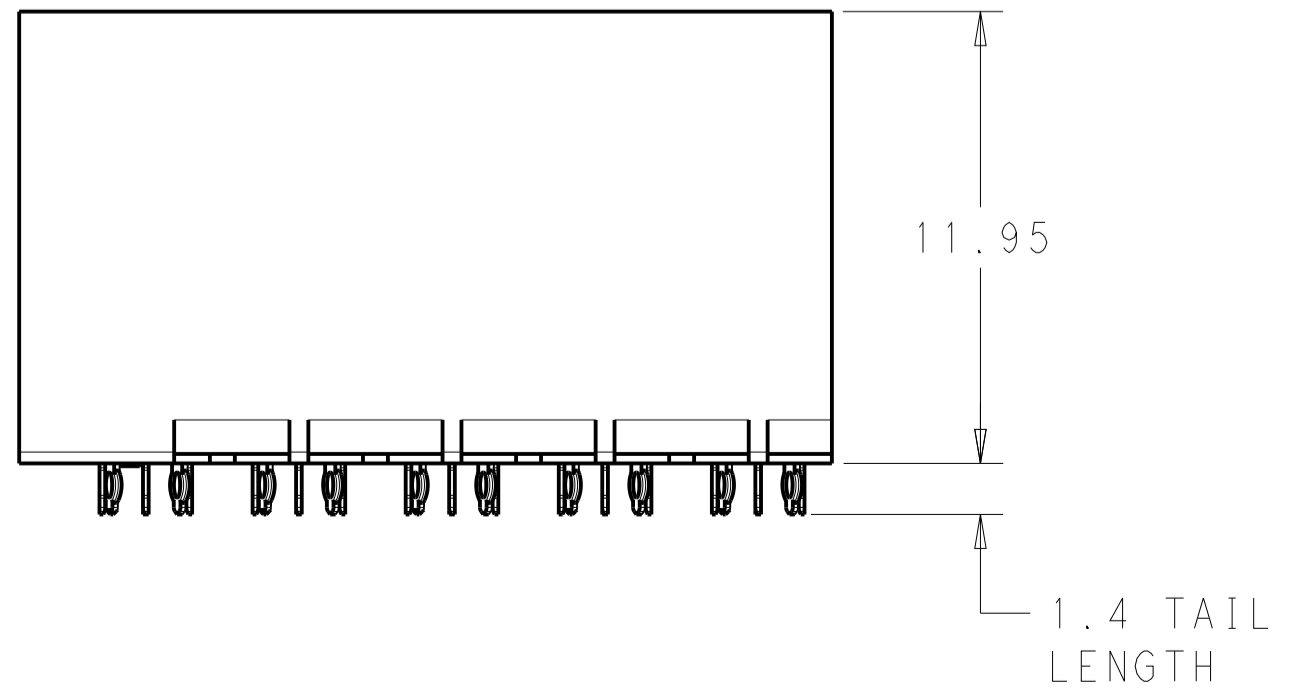
150X  $\varnothing 0.48 \pm 0.013$   
DRILL HOLE

$\varnothing 0.10$

UNGUIDED  
BACKPLANE HOLE PATTERN  
(CONNECTOR SIDE)

SEE DETAIL X

REFER TO WWW.TE.COM  
FOR PRODUCT AVAILABILITY



△	5.5	2143625-2
△	4.9	2143625-1
FINISH	DIM M	PART NUMBER

THIS DRAWING IS A CONTROLLED DOCUMENT.		OWN: KIRAN HOLAL 29NOV2012	REV: 1
DIMENSIONS: mm		CHK: D. DIXON 29NOV2012	APP'D: D. DIXON 29NOV2012
TOLERANCES UNLESS OTHERWISE SPECIFIED:		NAME: IMPACT, ORTHOGONAL, 5 PAIR, 10 COLUMN HEADER, UNGUIDED, LEFT END WALL SIGNAL MODULE, 0.39 PTH	
0 PLC	±	SIZE: CAGE CODE DRAWING NO. RESTRICTED TO	
1 PLC	±0.25	A100779C=2143625	
2 PLC	±0.13	SCALE: 5:1 SHEET 1 OF 1 REV B	
3 PLC	±	CUSTOMER DRAWING	
4 PLC	±		
ANGLES	±		
MATERIAL	SEE TABLE		
FINISH	SEE TABLE		