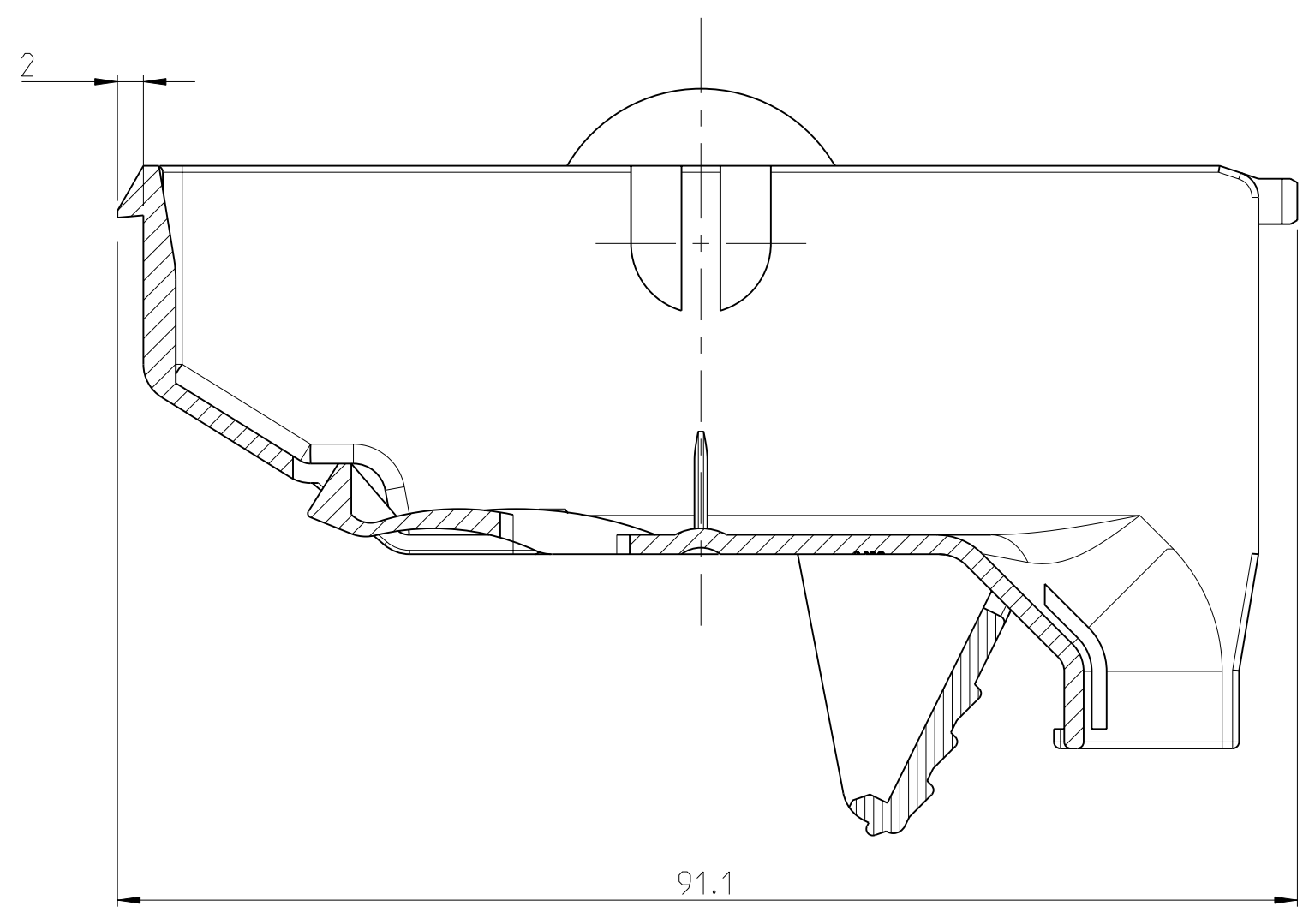
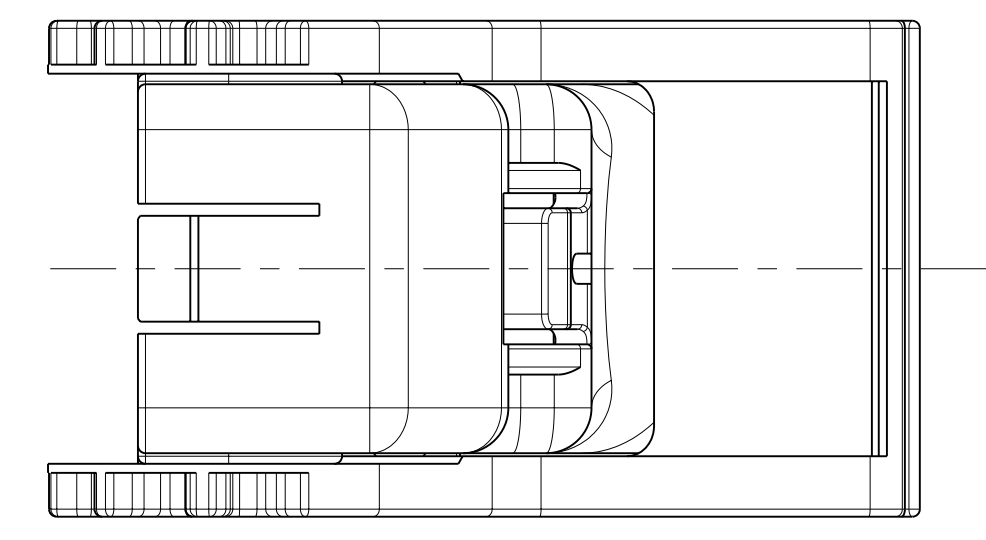
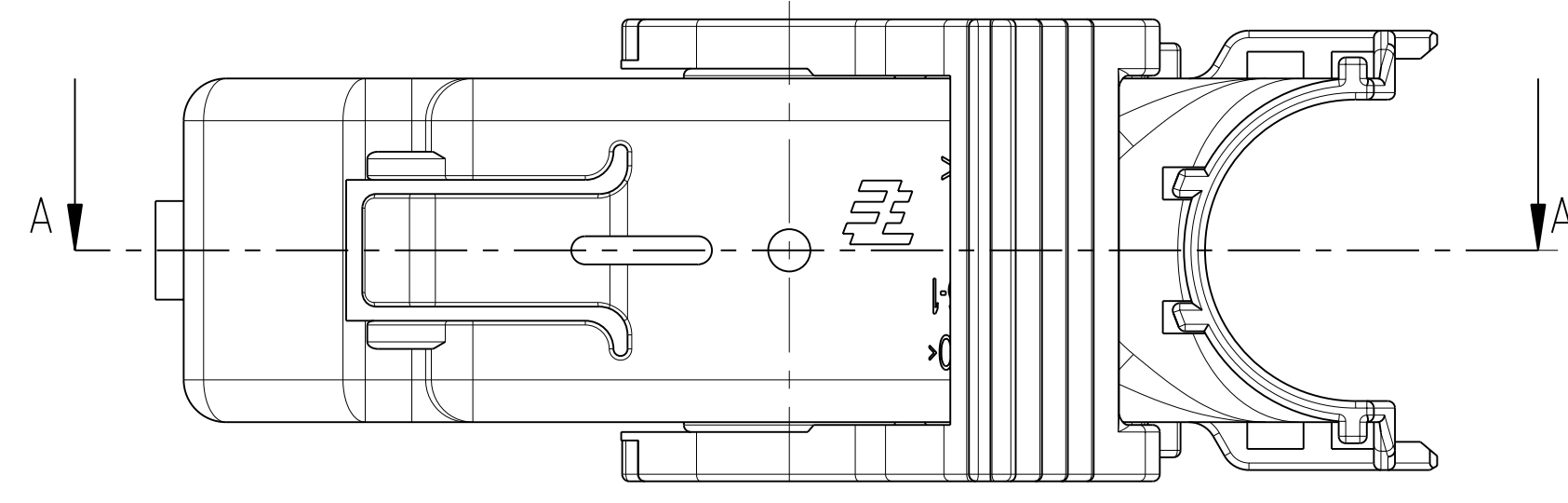
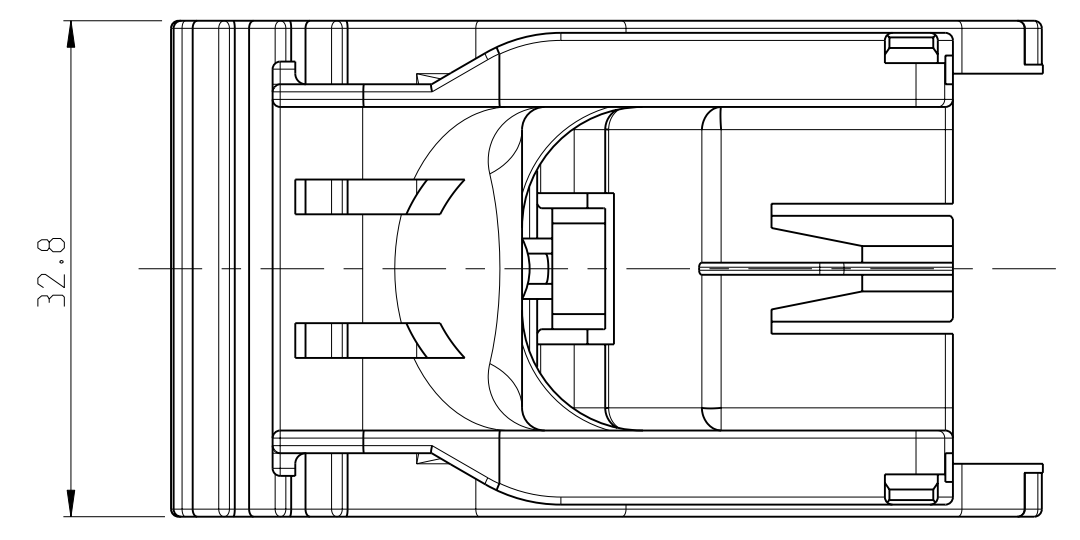
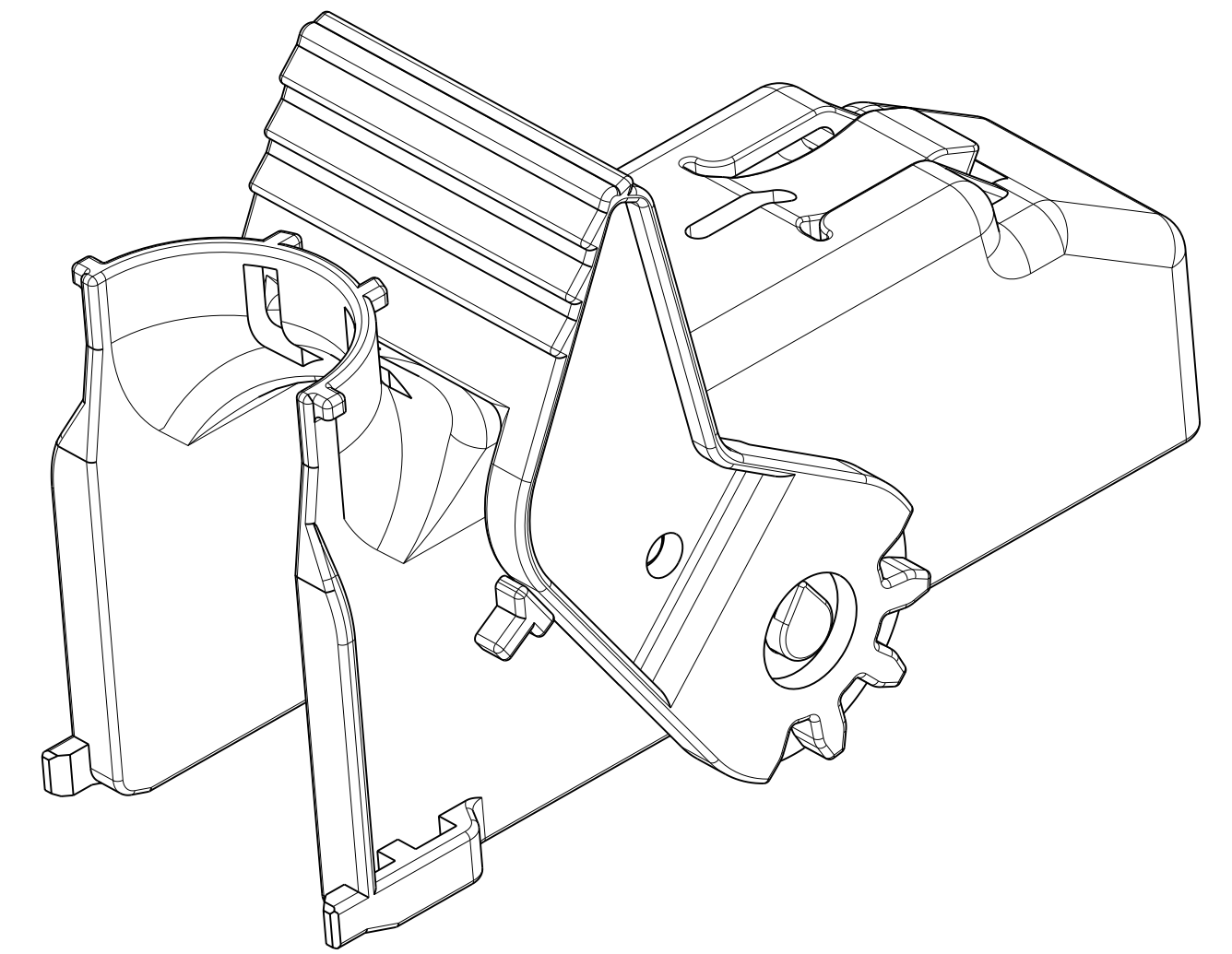
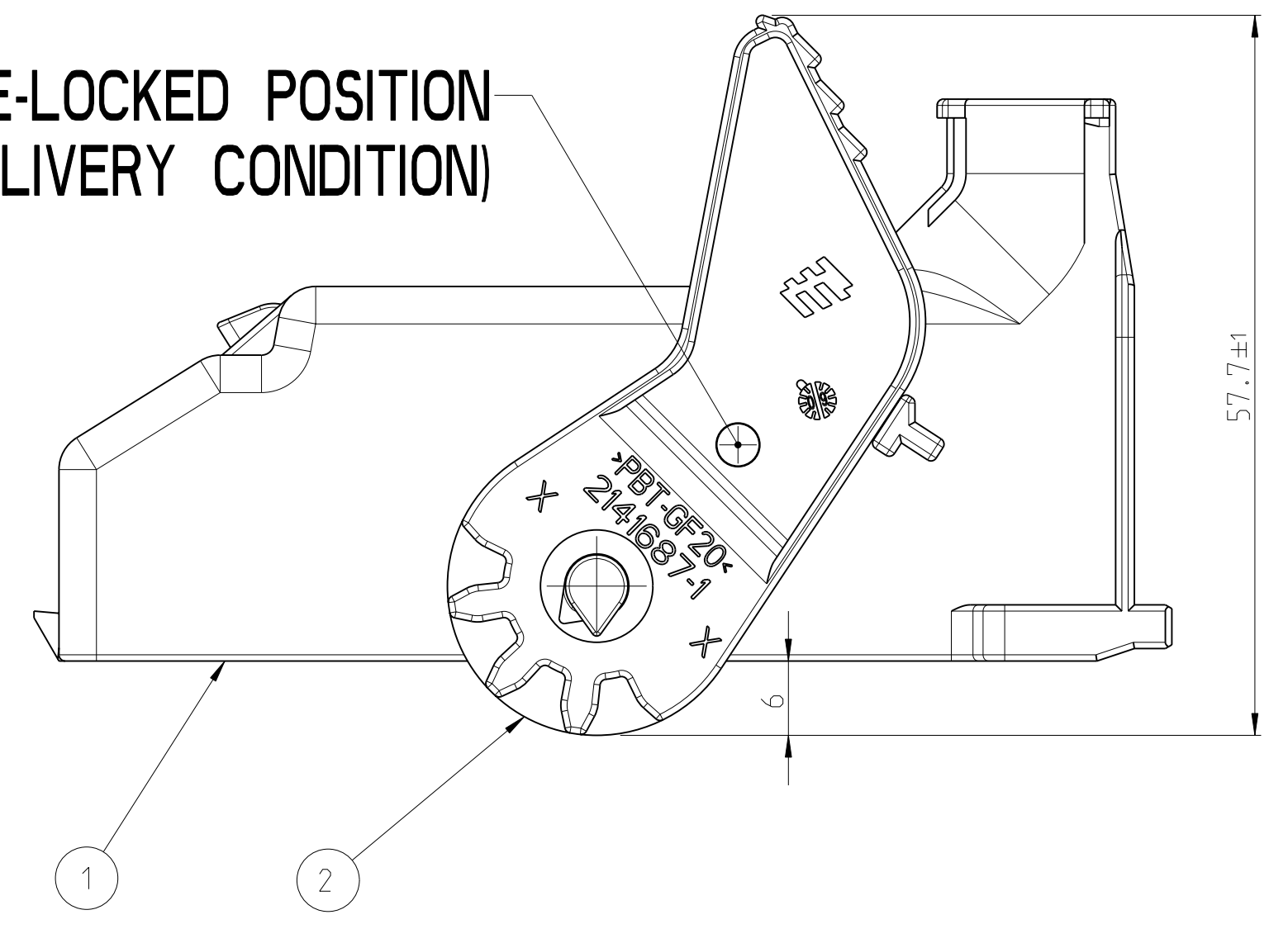


LOC	DIST	REVISIONS			
P	LTB	DESCRIPTION	DATE	DWN	APVD
A	-	INITIAL DRAWING	10FEB2011	GH	HR

LEVER IN PRE-LOCKED POSITION
(DELIVERY CONDITION)



A-A

TE ASSEMBLY NO	REV	COLOR	DESCRIPTION	ITEM NO
2141685-1	A	BLACK	LEVER	2
		BLACK	WIRE COVER	1

DIMENSIONS: mm		TOLERANCES UNLESS OTHERWISE SPECIFIED: 9 PLC ±0.5 1 PLC ±0.5 2 PLC ±0.5 3 PLC ± 4 PLC ± ANGLES ±° FINISH		DWN G.S. HOIEA 10FEB2011 CHK H. RIPPER 10FEB2011 APVD G.S. MUMFORD 10FEB2011		Tyco Electronics Tyco Electronics AMP GmbH 64625 Bensheim (Germany)	
MATERIAL - FINISH -		WEIGHT - CUSTOMER DRAWING		NAME WIRE COVER ASSEMBLY, CABLE EXIT 90 DEGREE, 46 WAY ABS CONNECTOR SIZE CAGE CODE DRAWING NO A1 00779 C=2141685		RESTRICTED TO SCALE 2:1 SHEET 1 OF 1 REV A	