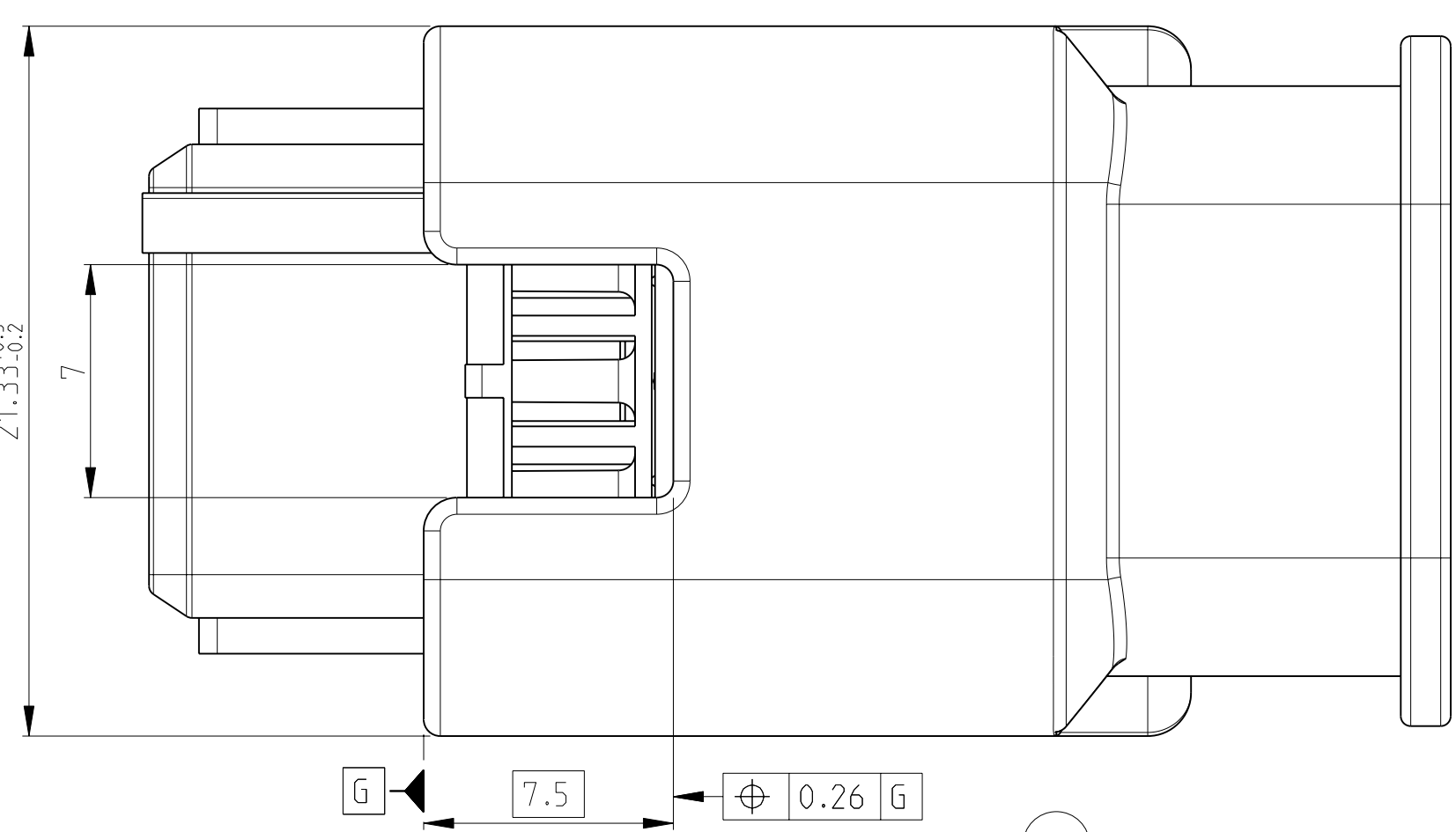
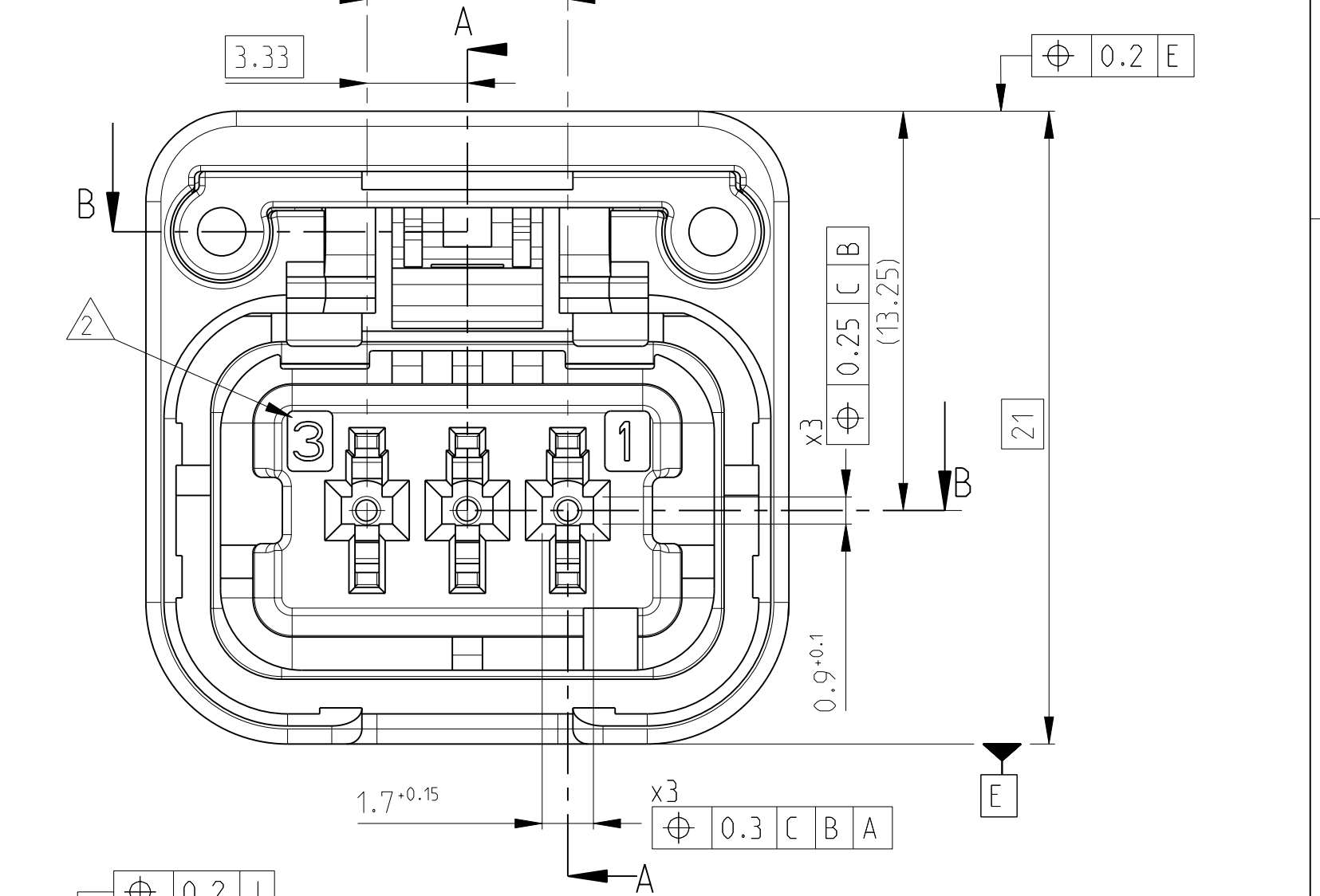


FIXED COVER 3 WAYS - LEFT/RIGHT EXIT Abdeckkappe mit Abgang links/rechts	FOR CORRUGATED TUBE Ø6 Fuer Wellrohr Ø6	1801467-1
	FOR CORRUGATED TUBE Ø4.5 Fuer Wellrohr Ø4.5	1-1801467-1
FIXED COVER 3 WAYS - UP/DOWN EXIT Abdeckkappe mit Abgang oben/unten	FOR CORRUGATED TUBE Ø6 Fuer Wellrohr Ø6	1801467-2
	FOR CORRUGATED TUBE Ø4.5 Fuer Wellrohr Ø4.5	1-1801467-2
FIXED COVER 3 WAYS - EXIT IN LINE Abdeckkappe mit geradem Abgang	FOR CORRUGATED TUBE Ø6 Fuer Wellrohr Ø6	1801168-5
	FOR CORRUGATED TUBE Ø4.5 Fuer Wellrohr Ø4.5	1-1801168-5
ROTATIVE COVER 90 DEG. 3 WAYS Drehbare Abdeckkappe mit 90 Grad Abgang	FOR CORRUGATED TUBE Ø6 Fuer Wellrohr Ø6	1801468-1
	FOR CORRUGATED TUBE Ø4.5 Fuer Wellrohr Ø4.5	1-1801468-1
ADAPTER FOR COVER WITH 90 DEG. EXIT Adapter fuer Abdeckkappe mit 90 Grad Abgang		1801359-1
RECEPTACLE 1.5 SENSOR GOLD PLATED Section 1.5mm <sup>2</sup> 1.5 mm Sensor Flachkontakt fuer 1.5mm <sup>2</sup> , selektiv vergoldet		1670328-1
RECEPTACLE 1.5 SENSOR GOLD PLATED Section 0.5 to 1mm <sup>2</sup> 1.5 mm Sensor Flachkontakt fuer 0.5 - 1mm <sup>2</sup> , selektiv vergoldet		1670326-1
3 WAYS TAB CONNECTOR HP 3 pol. Stift Gehaeuse HP		1801177-X



LOC	DIST	REVISIONS			
P	LTR	DESCRIPTION	DATE	DWN	APVD
A		NEW PART, NEW DRAWING	28SEP2011	MK	KR
B		E-11-009265	09JUN2011	MK	KR



TE PN TE Nr.	COLOUR Farbe	KEYING TOLERANCE: Kodierungstoleranz: ±0.05
0-2141501-1	BLACK schwarz	
0-2141501-2	BLUE blau	
0-2141501-3	GREY grau	
0-2141501-4	YELLOW gelb	
0-2141501-5	GREEN gruen	
0-2141501-6	BROWN braun	
0-2141501-7	WHITE weiss	
0-2141501-8	RED rot	
0-2141501-9	ORANGE orange	

**NOTES**  
 Bemerkungen

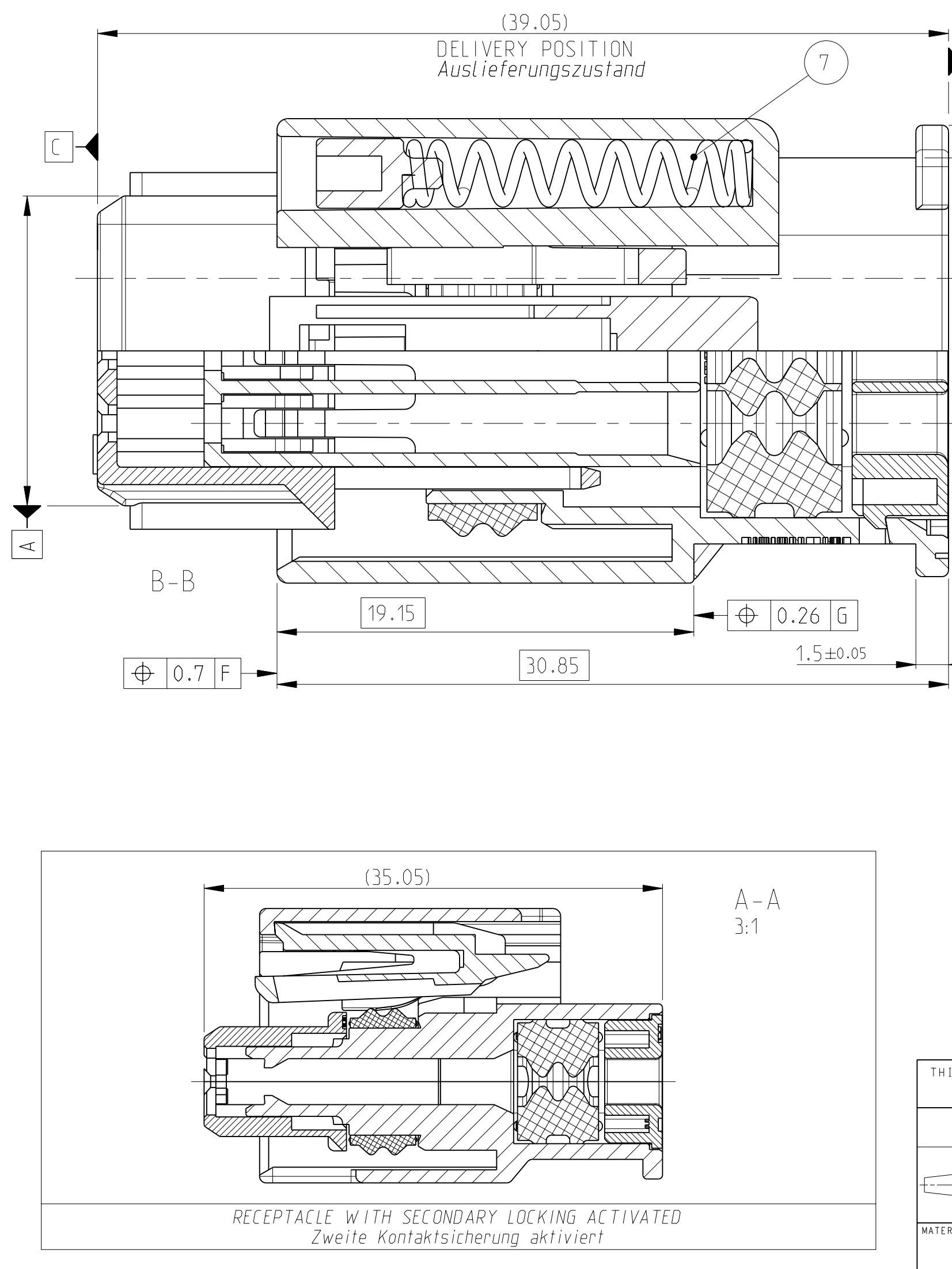
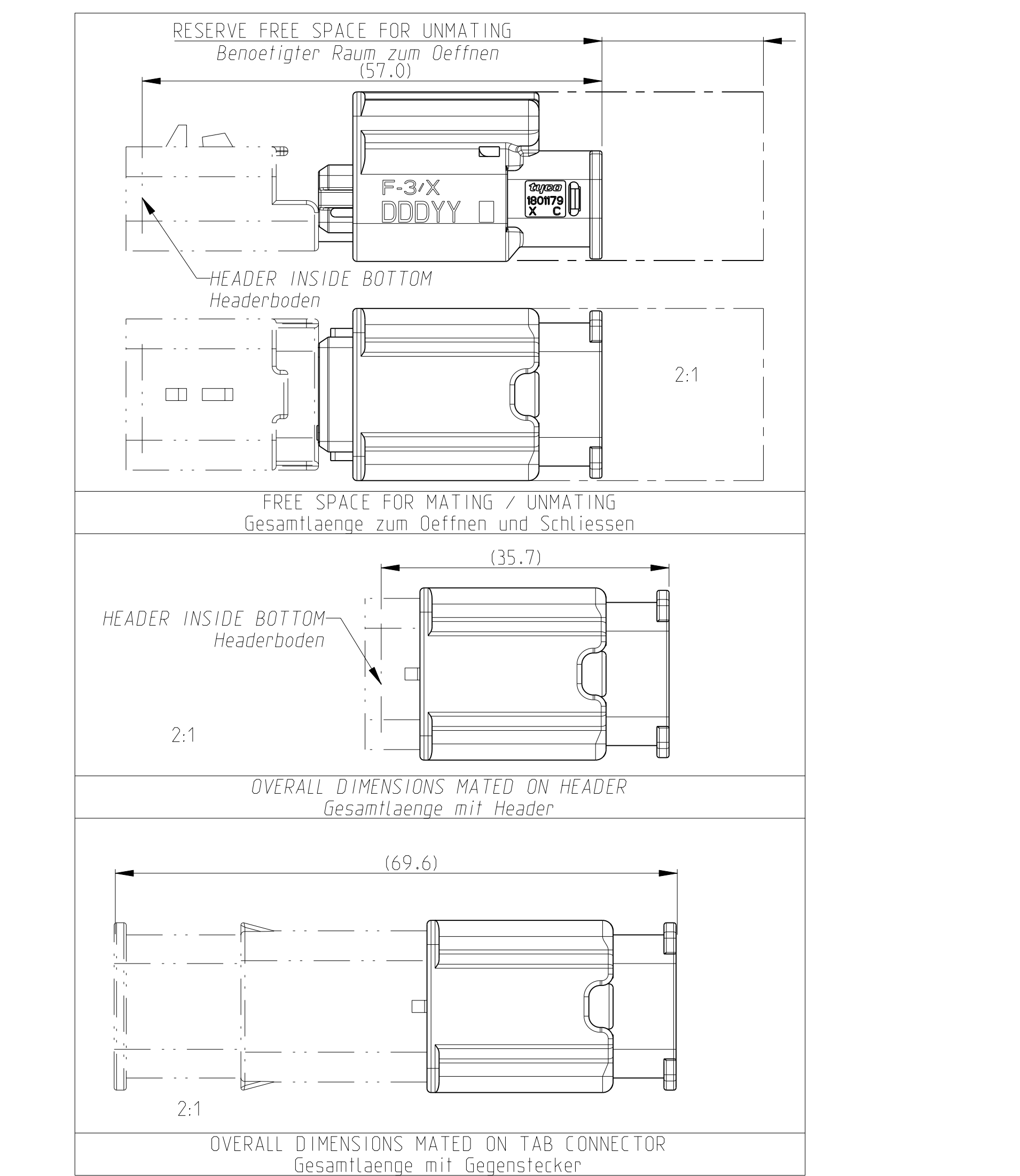
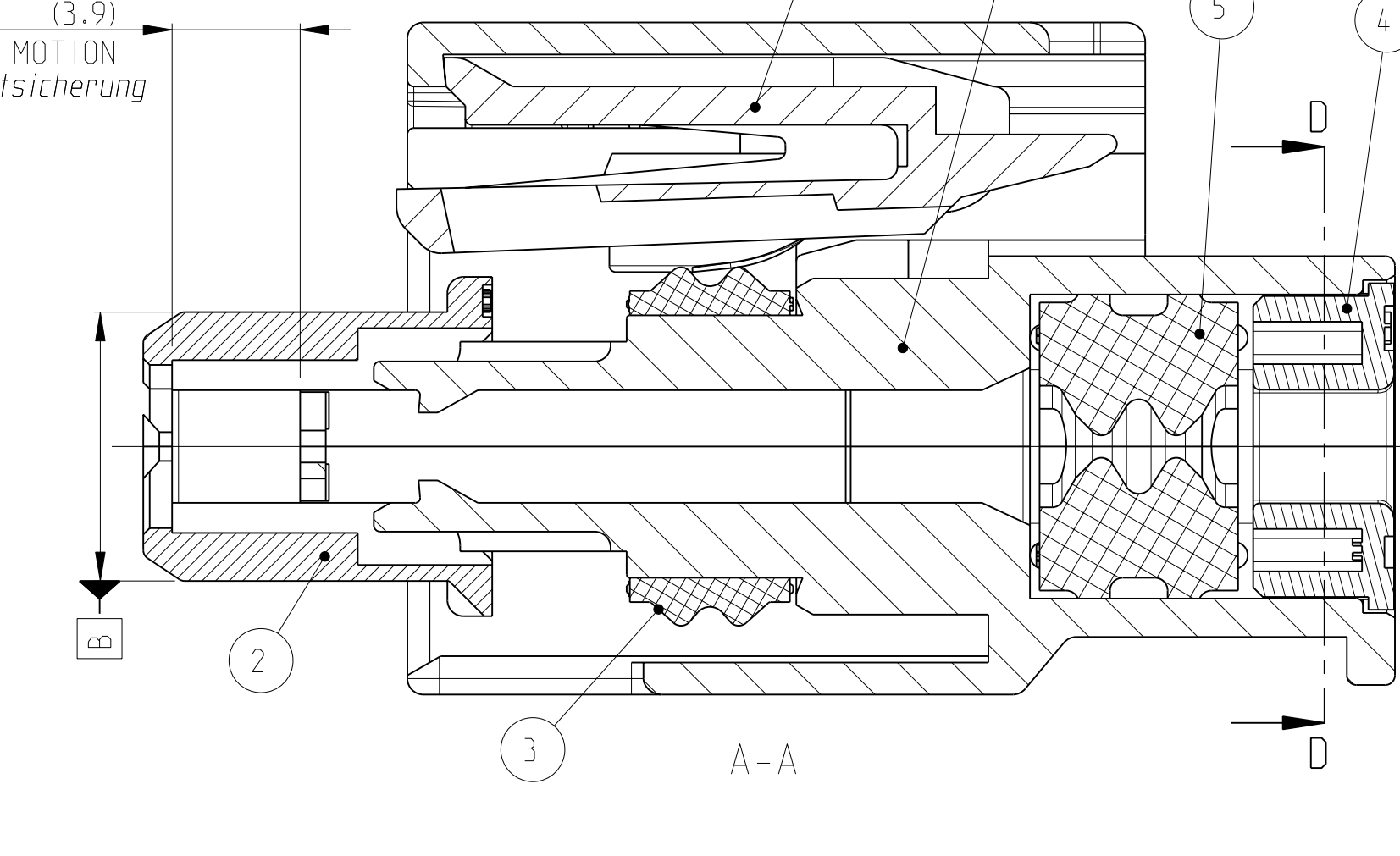
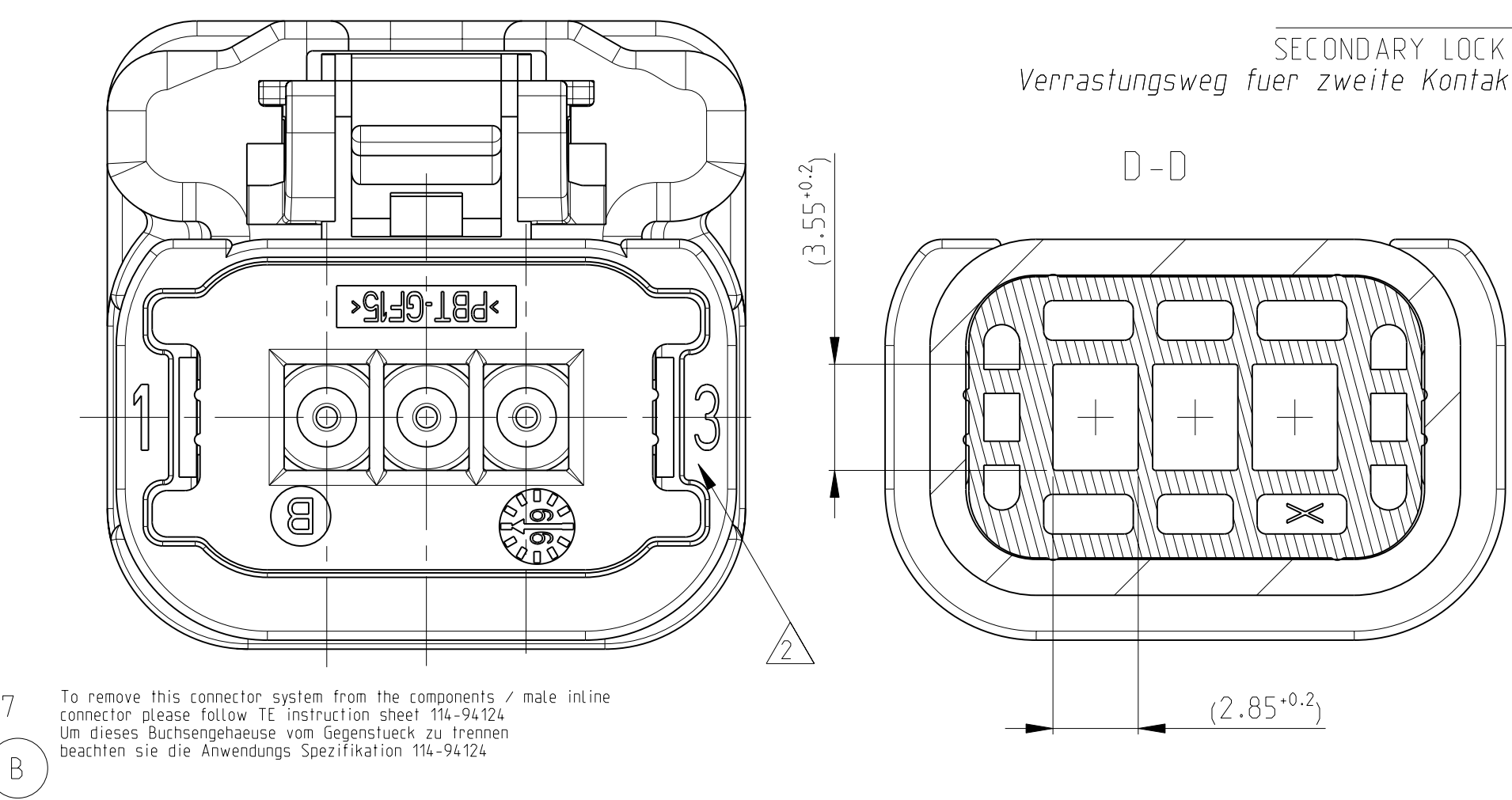
1 CAVITY MARKING  
Kommernummerierung

2 TE LOGO  
TE Zeichen

3 ASSEMBLY DATE  
Zusammenbau Datum

4 PLANT CODE  
Herstellung Land:  
E = EUROPE  
C = CHINA

5 M = MERCOSUR  
ASSY PN AND REVISION  
FOR EXAMPLE: F-3X/K  
F = FORD VERSION; -3 = SUFFIX FOR TE PART NUMBER; X = REVISION  
Zusammenbau Nr. und Revision  
Zum Beispiel: F-3X/K  
F = Ford Version; -3 = Nachstrichzahl fuer TE Teilenummer; X = Revision



**ACCEPTABLE CABLE SECTIONS PER CONTACT**

The cross-section of the cables used must be between 0.5 and 1.5mm<sup>2</sup>  
 (Wire min= 1.40mm; Wire Max= 2.40mm)  
 Kabelquerschnitt liegt zwischen 0.5 und 1.5mm<sup>2</sup>  
 (Ø Min= 1.40mm; Ø Max= 2.40mm)

REV	ASSY PN	QTY	MATERIAL	DESCRIPTION	COLOUR	ITEM
B	0-2141501-9	2	STAINLESS STEEL	SPRING	BLANK	7
B	0-2141501-8	1	PA66-GF30	SPRING-LOCK SLIDE 3 WAYS	YELLOW	6
B	0-2141501-7	1	MVQ	FAMILY SEAL	LIGHT BLUE	5
B	0-2141501-6	1	PBT-GF15	COVER FOR FAMILY SEAL	BLACK	4
B	0-2141501-5	1	MVQ	RADIAL SEAL	LIGHT BLUE	3
B	0-2141501-4	1	PBT-GF15	SEC. LOCKING DEVICE COD.9	ORANGE	2
B	0-2141501-3	1	PBT-GF15	SEC. LOCKING DEVICE COD.8	RED	2
B	0-2141501-2	1	PBT-GF15	SEC. LOCKING DEVICE COD.7	WHITE	2
B	0-2141501-1	1	PBT-GF15	SEC. LOCKING DEVICE COD.6	BROWN	2
		1	PBT-GF15	SEC. LOCKING DEVICE COD.5	GREEN	2
		1	PBT-GF15	SEC. LOCKING DEVICE COD.4	YELLOW	2
		1	PBT-GF15	SEC. LOCKING DEVICE COD.3	GREY	2
		1	PBT-GF15	SEC. LOCKING DEVICE COD.2	BLUE	2
		1	PBT-GF15	SEC. LOCKING DEVICE COD.1	BLACK	2
		1	PBT-GF15	RECEPTACLE HOUSING	BLACK	1

THIS DRAWING IS A CONTROLLED DOCUMENT. DWG: M.Kressmann 20 Jun 2011  
 CHK: K.Roth 30 SEP 2010  
 E-Number: 040CT2010

TE Connectivity

3 WAY RECEPTACLE HPSSL CONNECTOR ASSEMBLY

SIZE: A1 CAGE CODE: 00779 DRAWING NO: C-2141501

SCALE: 5:1 SHEET: 1 OF 1 REV: B