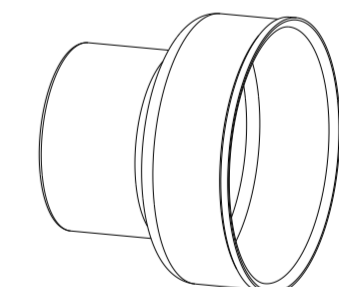
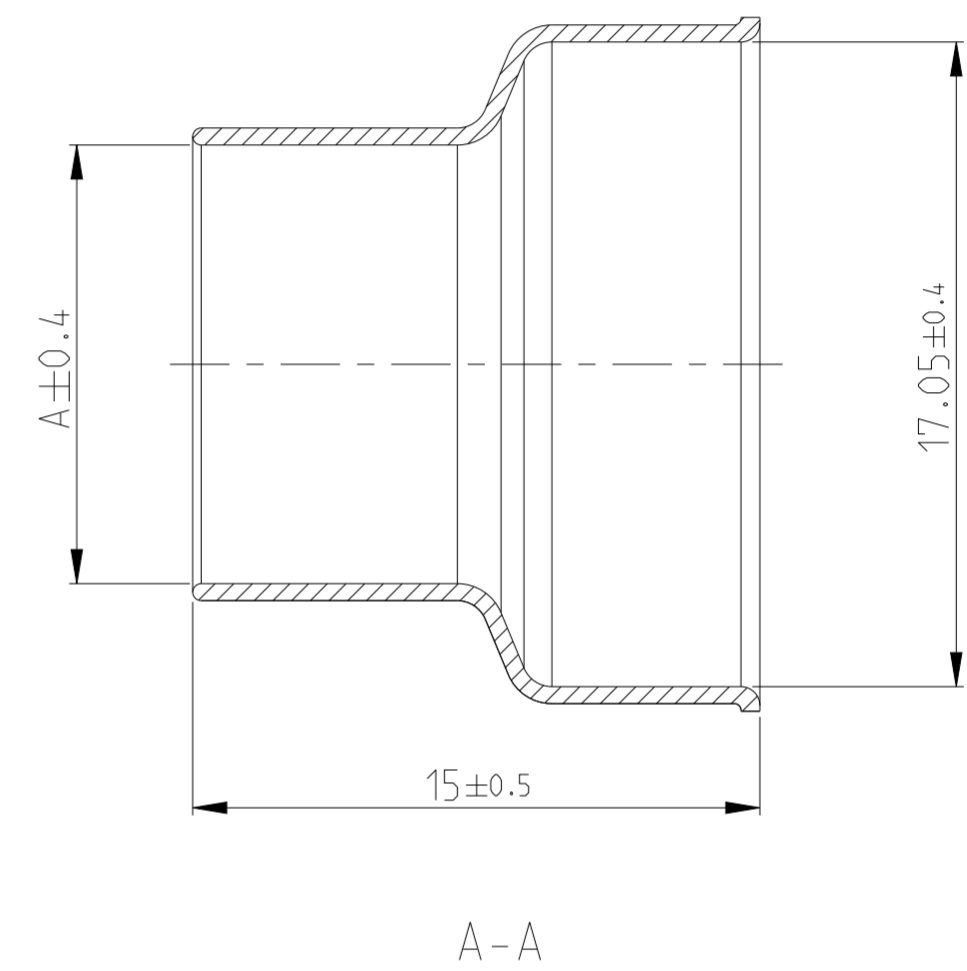
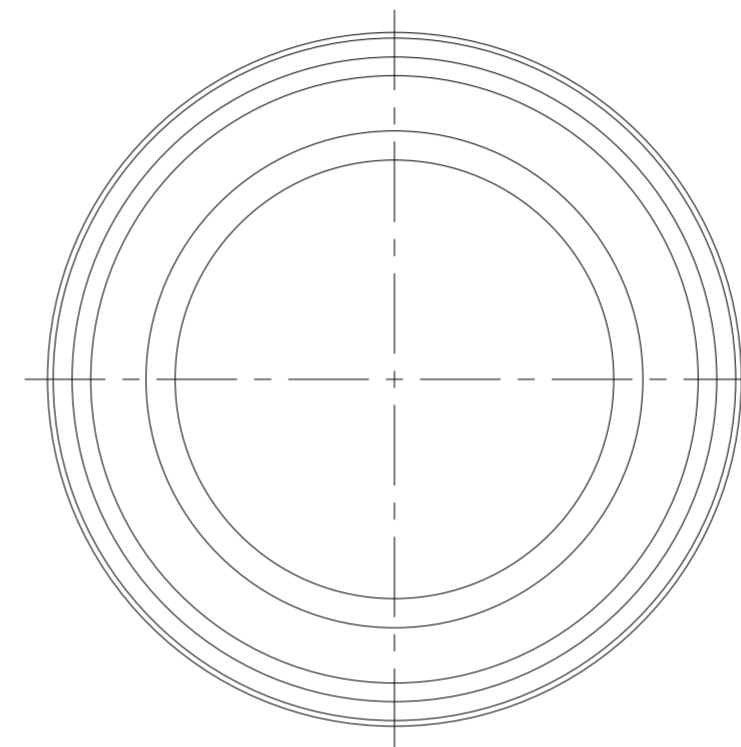
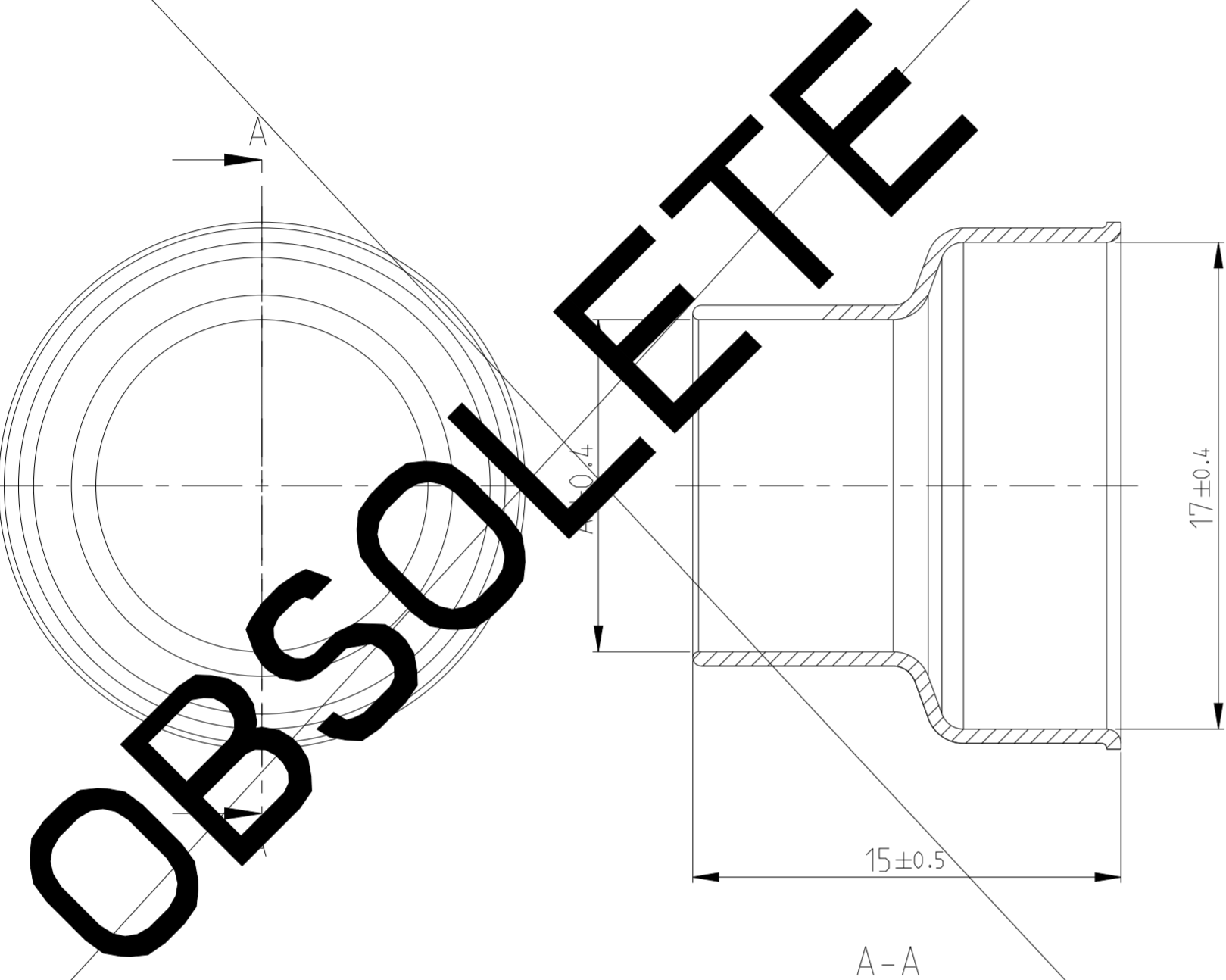


P	LTR	DESCRIPTION	DATE	DWN	APVD
B1		INSCRIPTION REMOVED	06APR2015	AHM	TRE
C		SMALL SERIES SHEET 2/2 OBSOLETE	13JAN2017	RSC	KKI
C1		VARIANT 1-2141263-3 /-4 ADDED	05MAR2018	RSC	RSC
C2		2141263-3, -4 PARTS REPLACED BY 1- -3, -4	02OCT2021	JJH	TSV

2141263-X
AS SHOWN
wie gezeigt

1-2141263-X
AS SHOWN
wie gezeigt



2:1

- 1 THE GERMAN TEXT IS BINDING
Der deutsche Text ist verbindlich
- 2 PACKING: BULK PACKAGING IN CORRUGATED SHIPPING BOX
Verpackung: Schuettgut in Versandkarton
- 3 USED ON 2 POS. HV. REC HSG. DRAWING 2287490
Verwendet fuer 2pol. gedichtete Assy. HV. Zeichnung 2287490

1-2141263-4	SHIELD CRIMP FERRULE, OUTSIDE (DEEP DRAWN PART)	DEEP DRAWN PART Tiefzietteil	13.1	12.2 - 12.8
1-2141263-3			11.6	10.7 - 11.3
2141263-4			13.1	12.2 - 12.8
2141263-3			11.6	10.7 - 11.3
2141263-2	SHIELD CRIMP FERRULE, OUTSIDE (TURNED PART) Drehteil		10.2	9.3 - 9.9
2141263-1			10.8	9.9 - 10.5

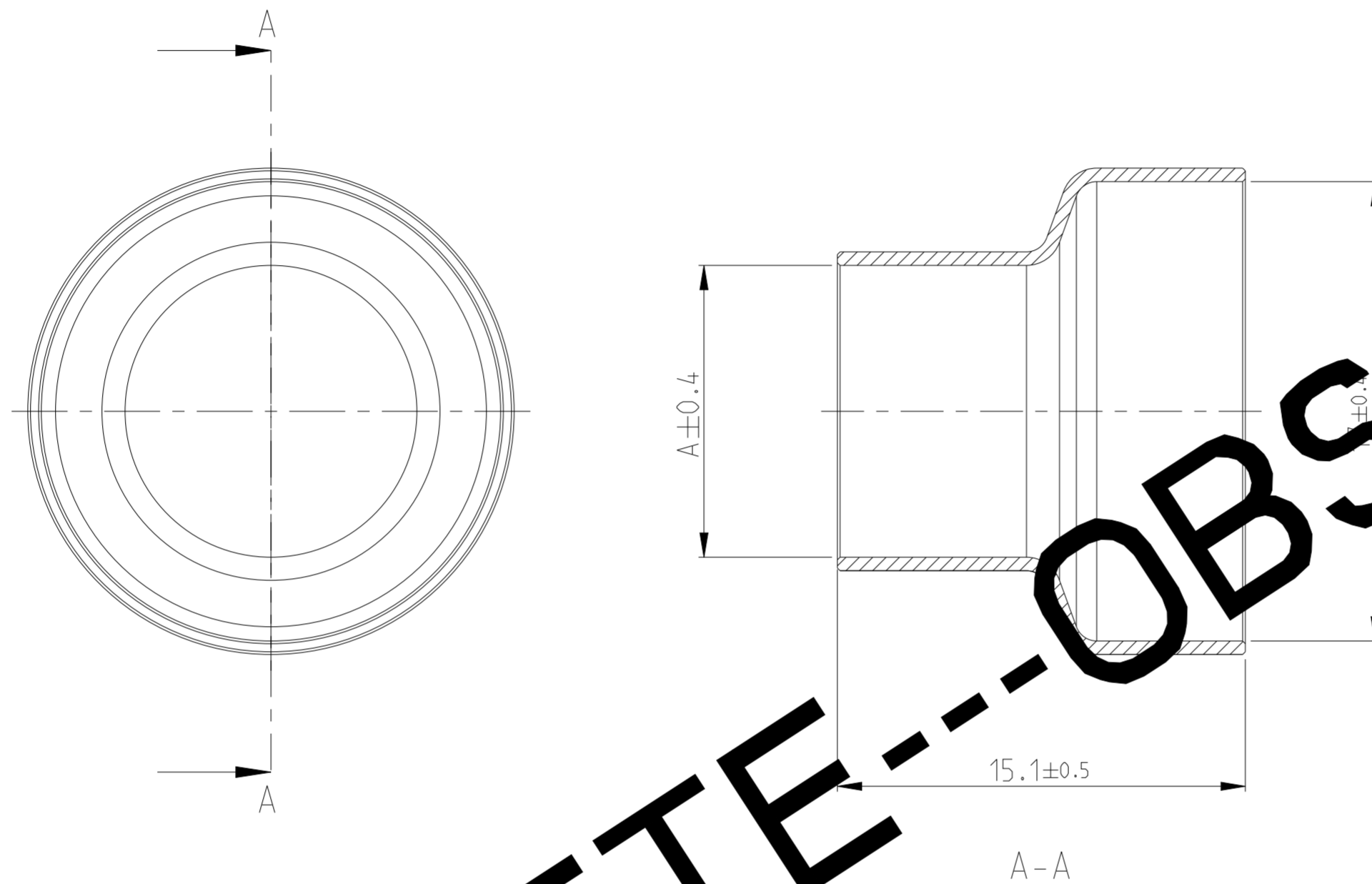
STAINLESS STEEL
Edelstahl

3

OBSOLETE

THIS DRAWING IS A CONTROLLED DOCUMENT. DIMENSIONING AND TOLERANCING PER GPS (ISO STANDARDS).		DWN Vishwa A 07FEB2010	TE Connectivity	
DIMENSIONS: mm		CHK R.Schwan 24NOV2011		
TOLERANCES UNLESS OTHERWISE SPECIFIED:		APVD T.Reissneger 24NOV2011	NAME SHIELD CRIMP FERRULE, OUTSIDE Crimphuelse	
0 PLC ±		PRODUCT SPEC 108-94264	SIZE CAGE CODE DRAWING NO RESTRICTED TO	
1 PLC ±		APPLICATION SPEC 114-94100	A2 00779 C-2141263	
2 PLC ±		WEIGHT SEE TABLE	SCALE 5:1 SHEET 1 OF 2 REV C2	
3 PLC ±		CUSTOMER DRAWING		
4 PLC ±				
ANGLES ±°				
FINISH -				


P	LTR	DESCRIPTION	DATE	DWN	APVD
-		SEE SHEET 1	-	-	-



NOTES
Bemerkungen

- 1 IN CASE OF DISCREPANCIES BETWEEN GERMAN AND ENGLISH TEXT THE GERMAN TEXT IS BINDING
Im Falle von Unterschieden zwischen dem deutschen und dem englischen Text ist der deutsche Text verbindlich
- 2 PACKING: BULK PACKAGING IN CORRUGATED SHIPPING BOX
Verpackung: Schuettgut in Versandkarton
- 3 USED ON 2 POS. HV, REC HSG.
Verwendet fuer 2pol. gedichtete Assy. HV 114-94100-1

9-2141263-4	A	SHIELD CRIMP FERRULE, OUTSIDE	13.1	12.2 - 12.8	STAINLESS STEEL Edelstahl	3
9-2141263-3	A		11.6	10.7 - 11.3		
9-2141263-2	A		10.2	9.3 - 9.9		
9-2141263-1	A		10.8	9.9 - 10.5		
TE-ORDER-NO.	REV	DESCRIPTION	DIMENSION A	FOR WIRE ISOLATION DIAMETER [mm]	MATERIAL	WEIGHT [g]

THIS DRAWING IS A CONTROLLED DOCUMENT.		DWN Vishwa A 07FEB2010	 TE Connectivity	
DIMENSIONS: mm		CHK R.Schwan 24NOV2011		
TOLERANCES UNLESS OTHERWISE SPECIFIED:		APVD T.Reissneger 24NOV2011	NAME SHIELD CRIMP FERRULE, OUTSIDE	
0 PLC ±		PRODUCT SPEC 108-94264	Crimphuelse	
1 PLC ±		APPLICATION SPEC 114-94100	SIZE A2	CAGE CODE 00779
2 PLC ±		WEIGHT SEE TABLE	DRAWING NO C-2141263	RESTRICTED TO -
3 PLC ±		CUSTOMER DRAWING	SCALE 5:1	SHEET 2 OF 2
4 PLC ±				REV C2
ANGLES ±°				
FINISH -				

OBSOLETE