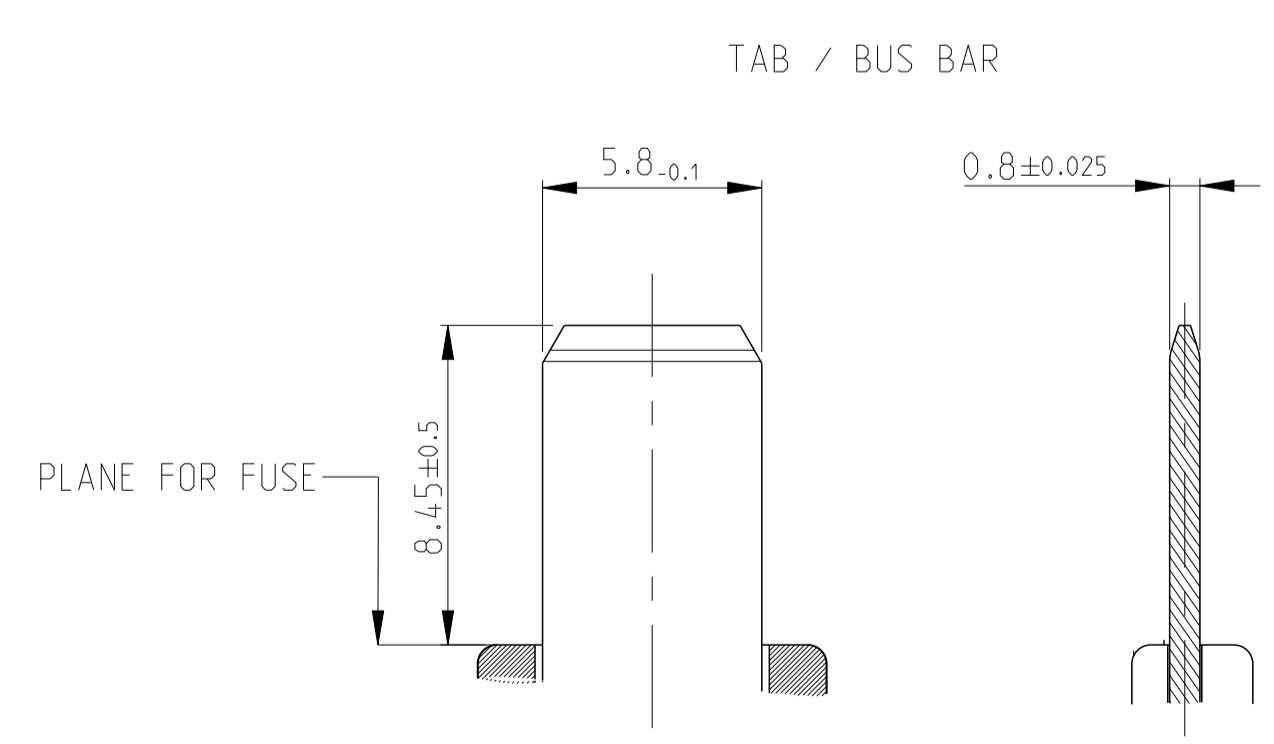
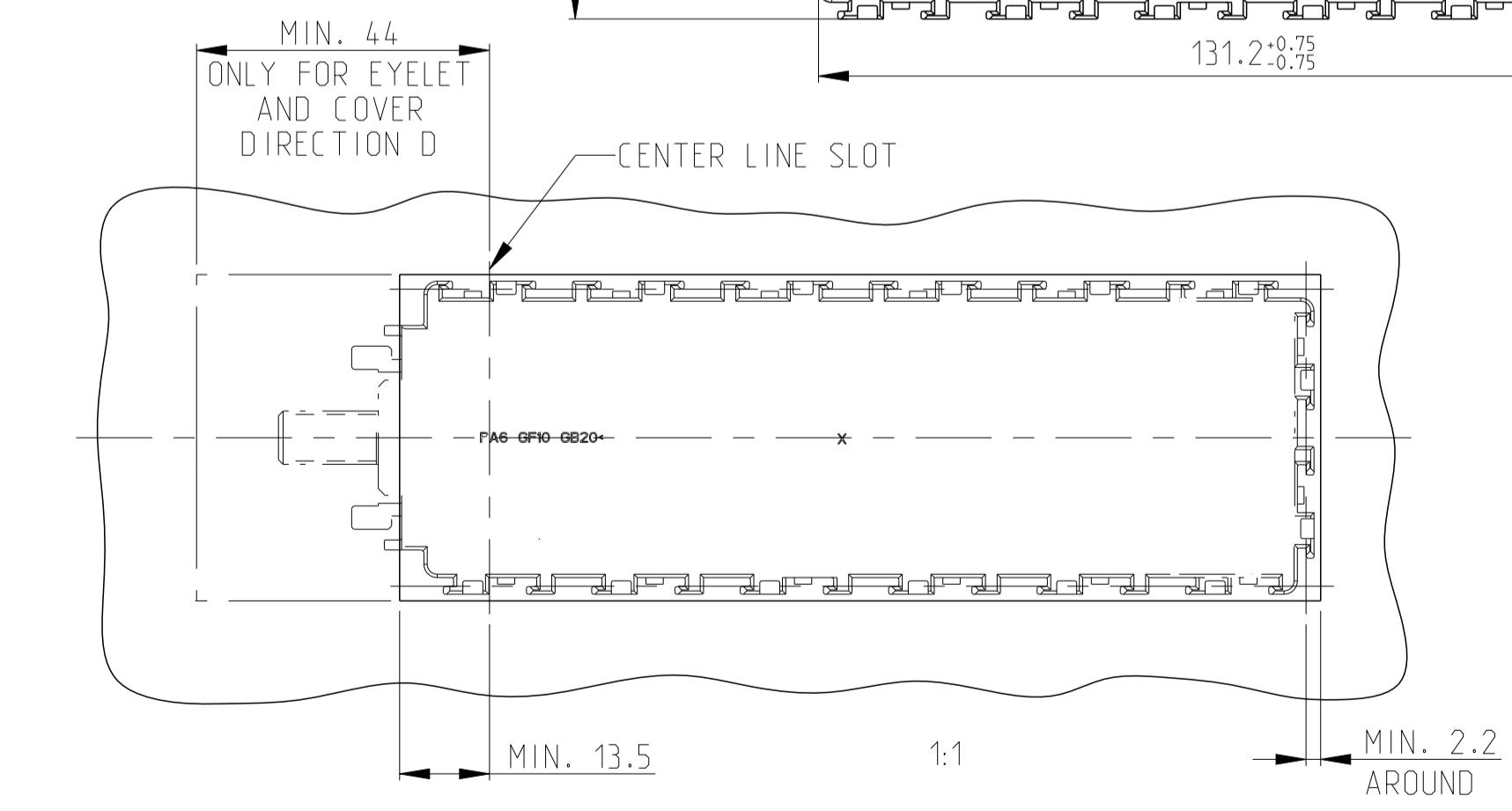
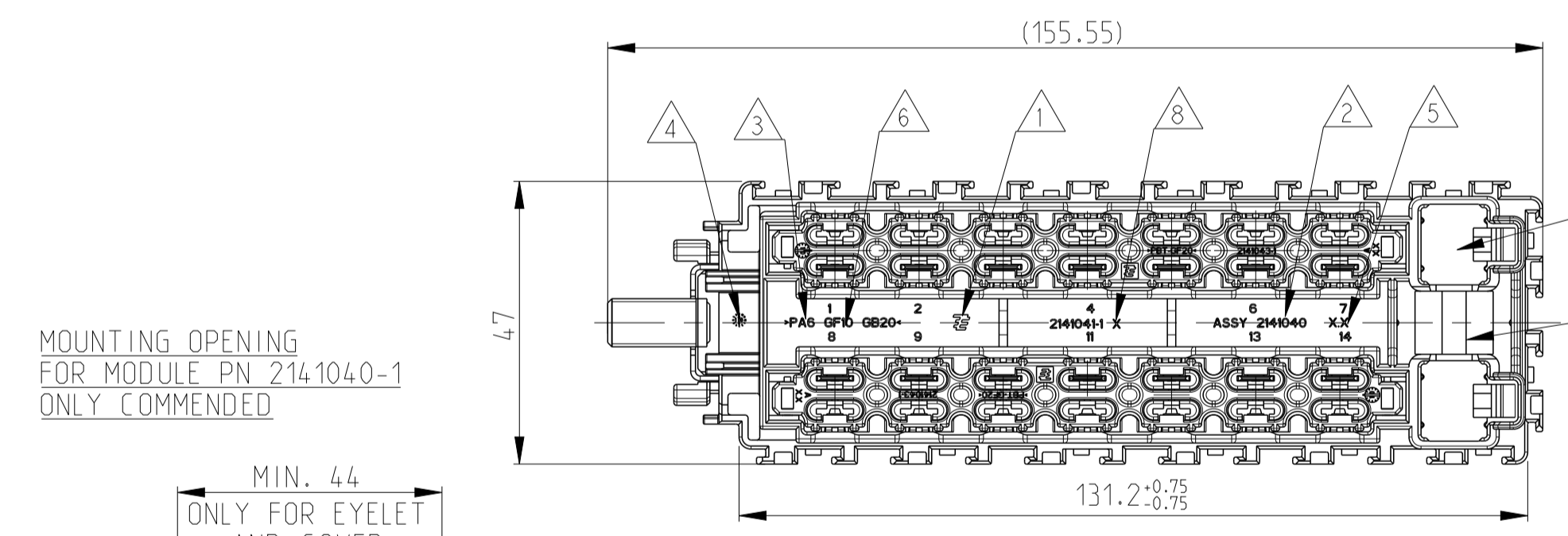
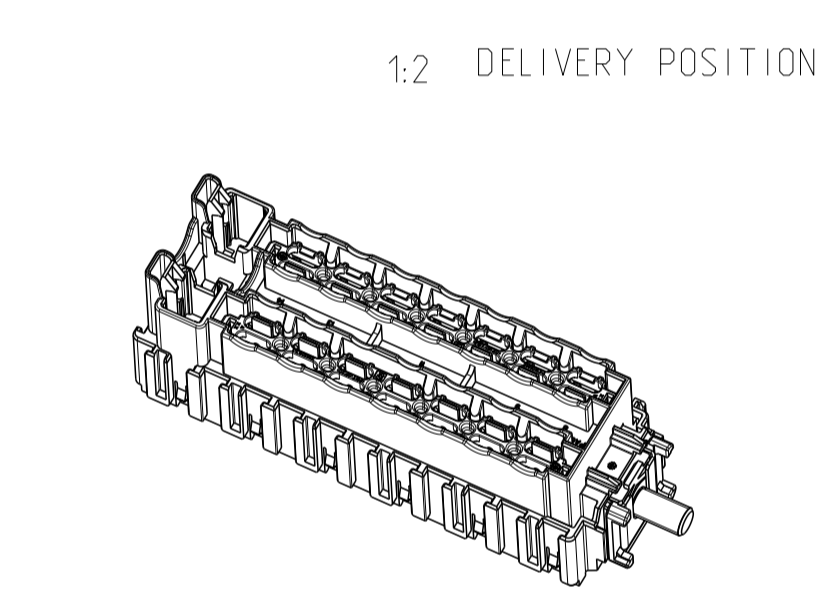
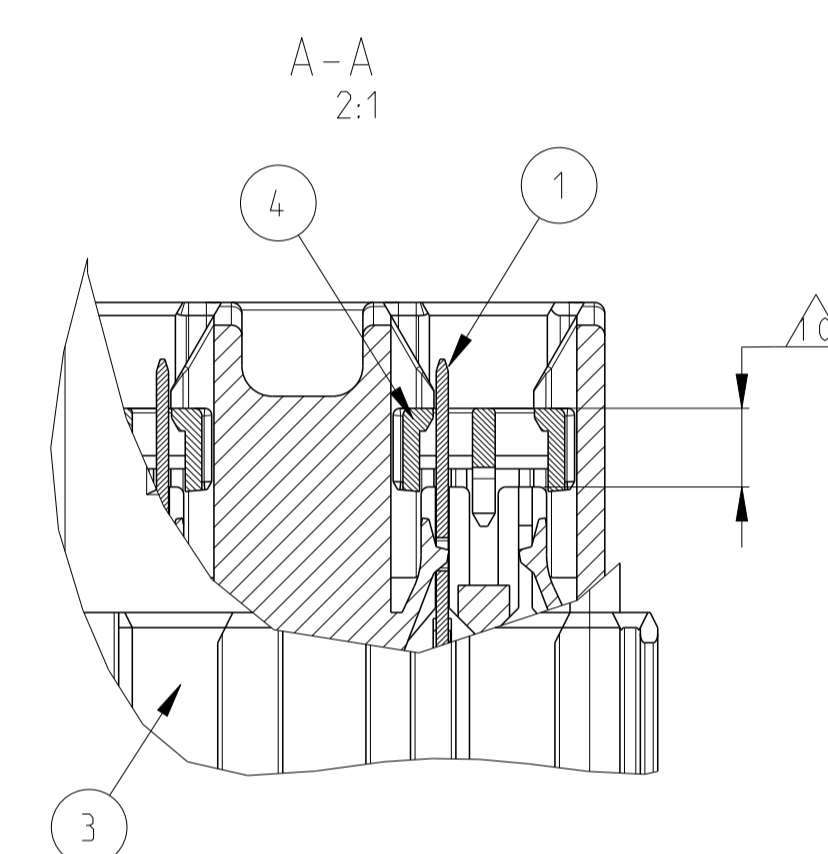
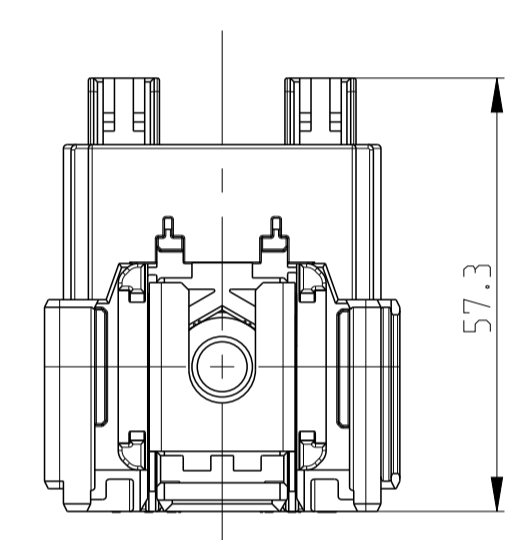
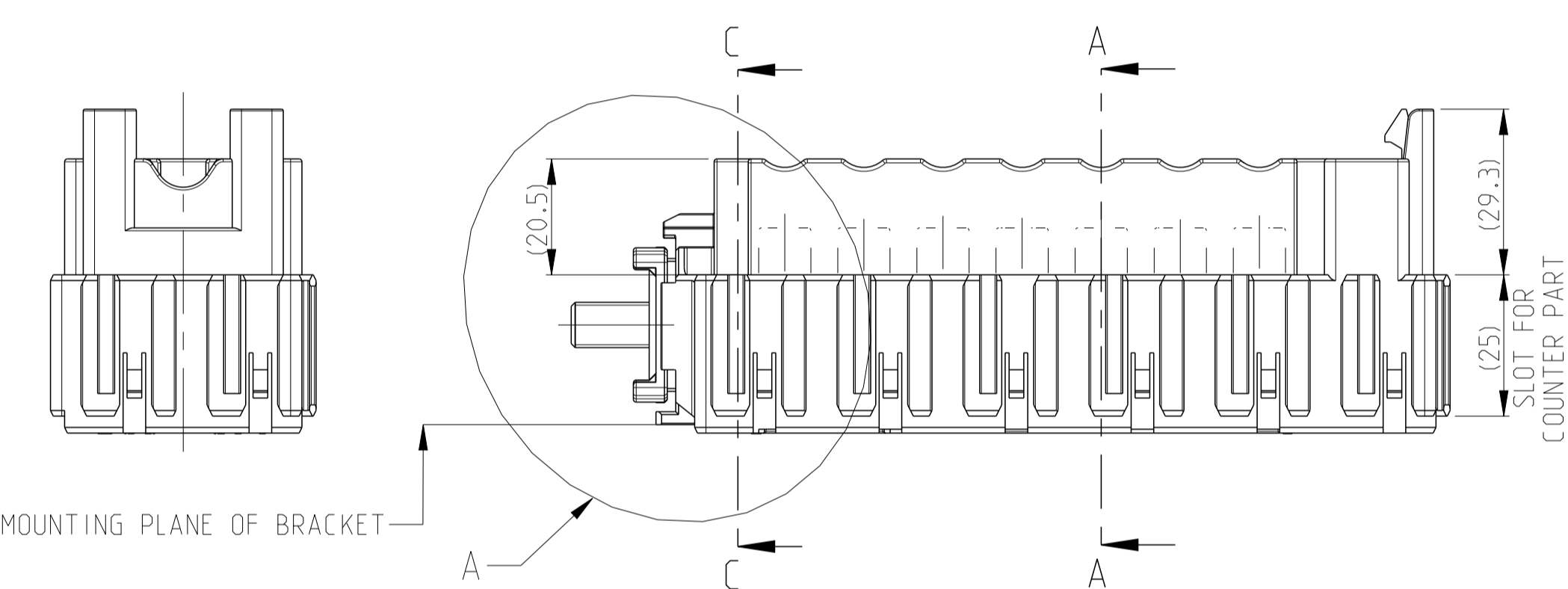
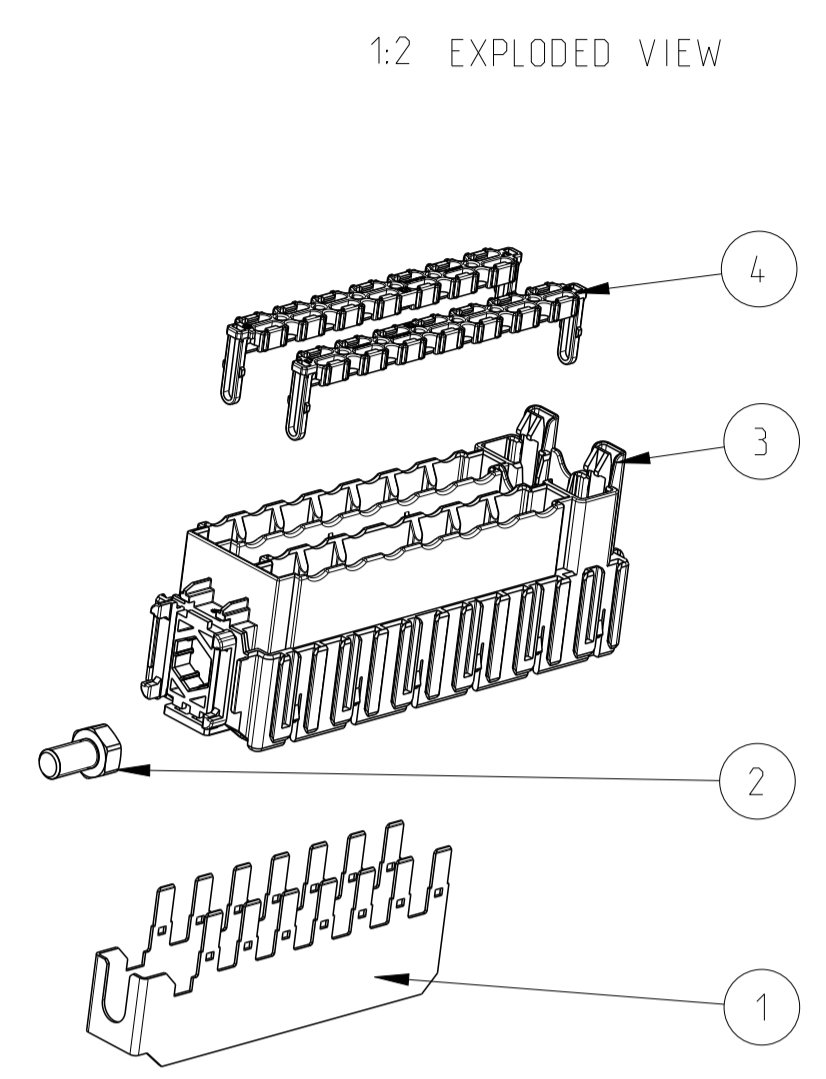
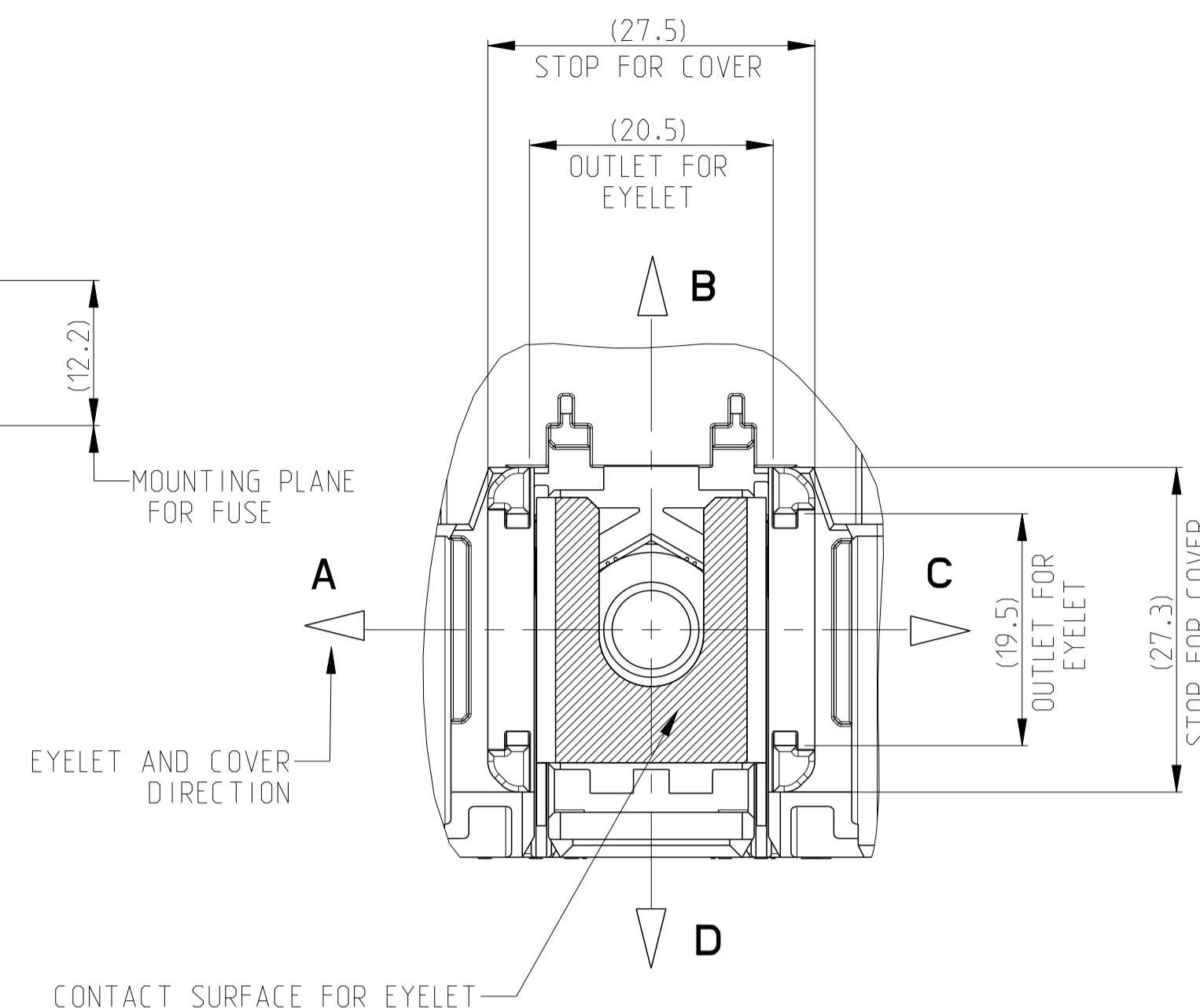
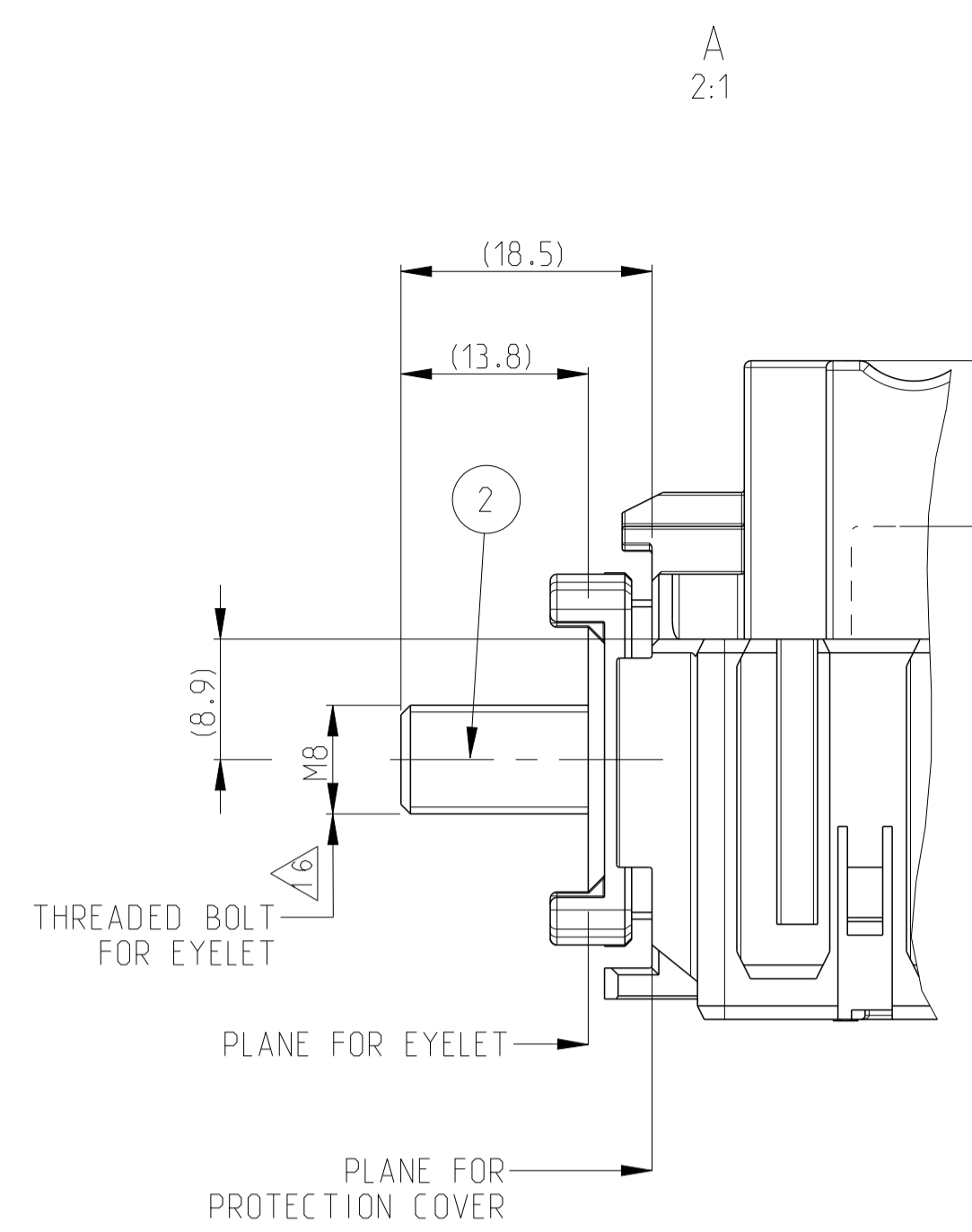
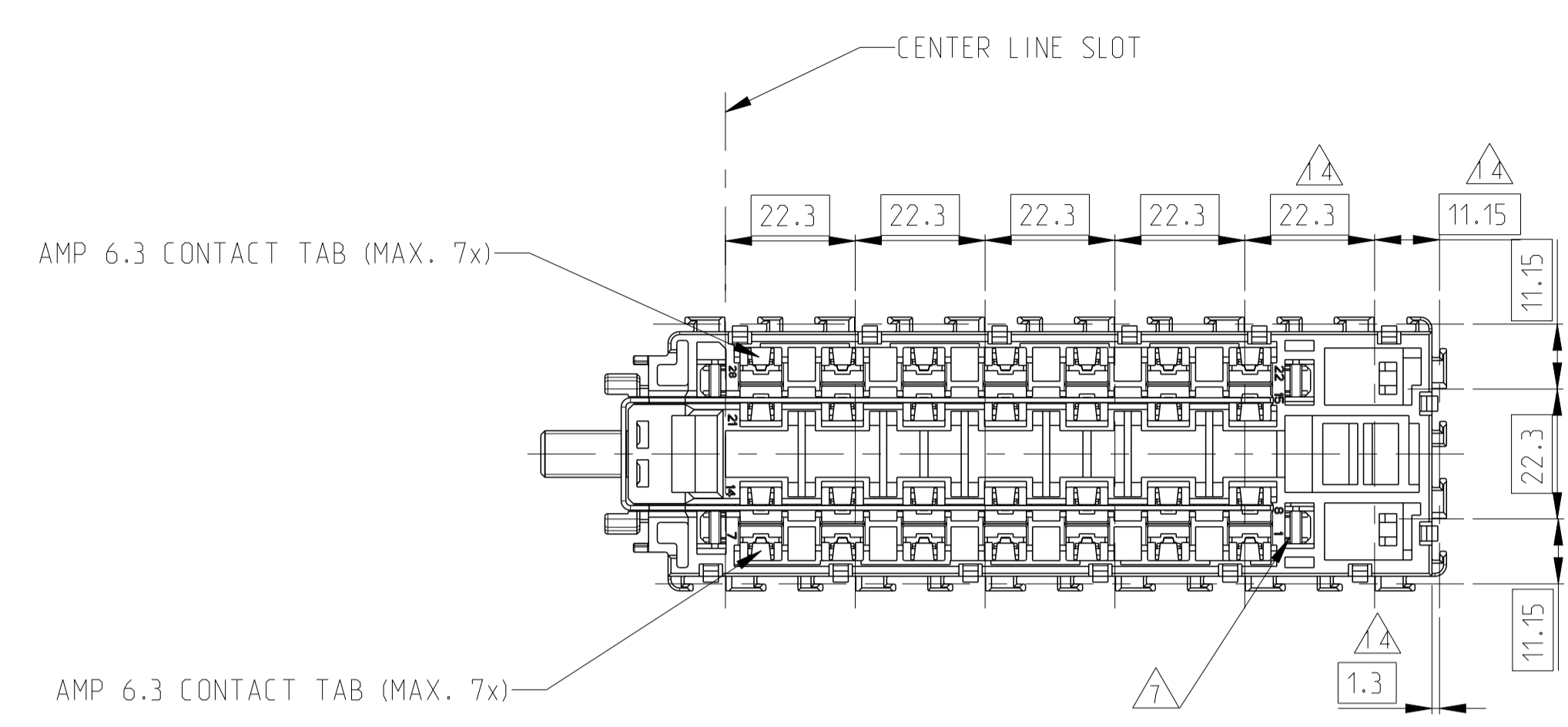


LOC	DIST	REVISIONS					
		P	LTN	DESCRIPTION	DATE	DMN	APVD
A1	-	A		NEW ASSY. NEW DRAWING	13SEP2010	Neu.	-
		A1		SEE ECR-15-011648	05AUG2015	HN	RH



- NOTES
- 1 TE LOGO
  - 2 TE ORDER NUMBER
  - 3 MATERIAL MARKING
  - 4 PRODUCTION DATE
  - 5 TOOL CAVITY MARKING
  - 6 SLOT MARKING
  - 7 CAVITY MARKING
  - 8 REVISION NUMBER
  - 9 PACKAGING: LAYERS IN CARD BOARD BOX
  - 10 SPACER FOR ALL FUSES IN PRE LATCHED POSITION
  - 11 PARTS ARE TO BE FREE OF SCRATCHES DISCOLORATION, SALT RESIDUE OR OTHER IMPERFECTIONS THAT MAY AFFECT FUNCTION OR FIT OF PART
  - 12 -
  - 13 OVER VIEW PRODUCT GROUP SEE : 114-94092
  - 14 SYSTEM PITCH DIMENSION'S FOR MULTIPLE PLUG IN SYSTEM
  - 15 PLEASE NOTE: MAX. CURRENT CARRYING CAPACITY OF MODULE SEE : 108-94263
  - 16 TIGHTENING TORQUE M8 = 10±1 Nm USED WITH WASHER FOR M8

TE ORDER NO STRIP FORM	TE ORDER NO LOSE PIECE	SUPPLIER	WIRE RANGE MM <sup>2</sup>	MATERIAL	FINISH
963755-1			2.5-4.0 MM <sup>2</sup>	CuSn4	PRE TIN PLATED
963754-1			1.5-2.5 MM <sup>2</sup>	CuSn4	PRE TIN PLATED
963753-1			0.5-1.0 MM <sup>2</sup>	CuSn4	PRE TIN PLATED

RECOMMENDED TERMINAL SYSTEM: AMP 6.3 CONTACT TAB

TE ORDER NO STRIP FORM	TE ORDER NO LOSE PIECE	SUPPLIER	WIRE RANGE MM <sup>2</sup>	MATERIAL	FINISH
	719554-2		50 MM <sup>2</sup>	Cu	TIN PLATED
	719553-2		35 MM <sup>2</sup>	Cu	TIN PLATED

RECOMMENDED EYELET SYSTEM: FOR BOLD M8

USED WITH:

ALLOCATED FOR: FUSE TYPE A 60A MAX.

PREFERRED: LOW PROFIL

NOMINAL VOLTAGE SYSTEM: 12V

TEMPERATURE CLASS: -40 TO 85 °C

VIBRATION CLASS: 1. ON BODY OR CHASSIS

SEALED CLASS: 0

ONLY BASIC DATA FOR DETAIL SEE PRODUCT SPEC

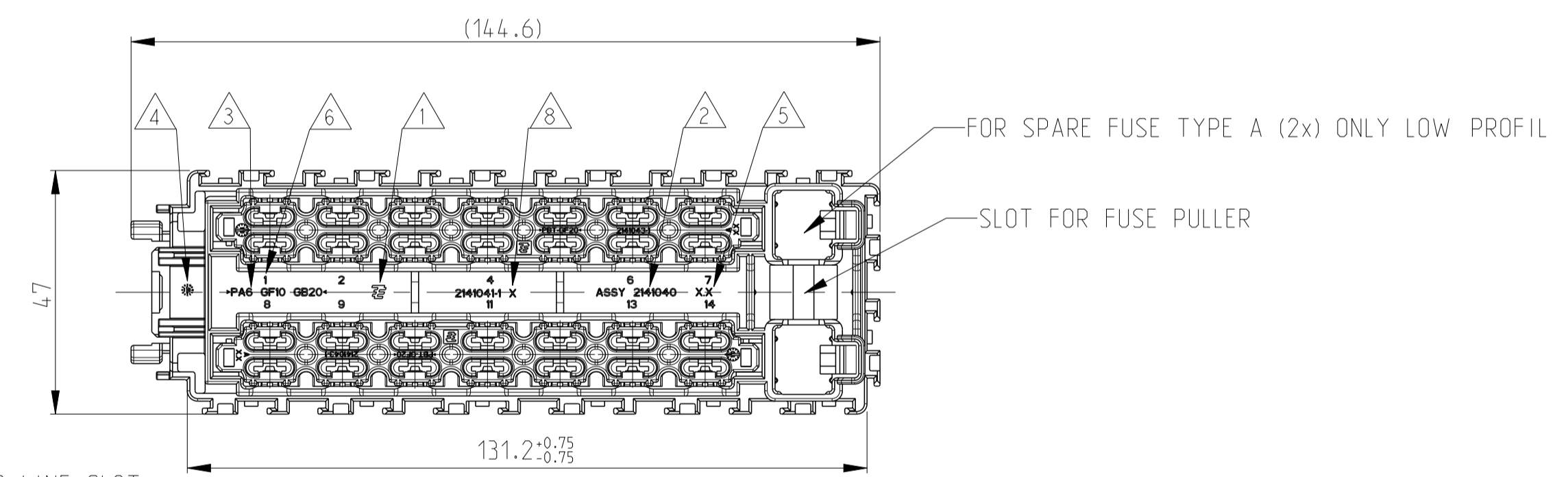
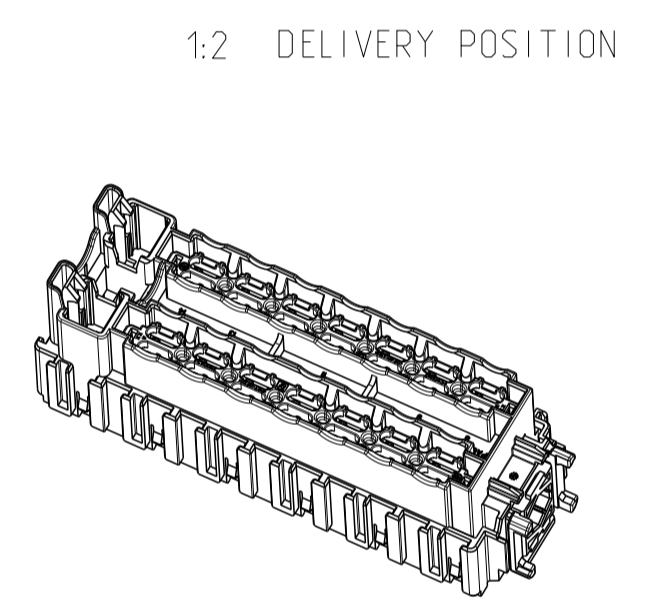
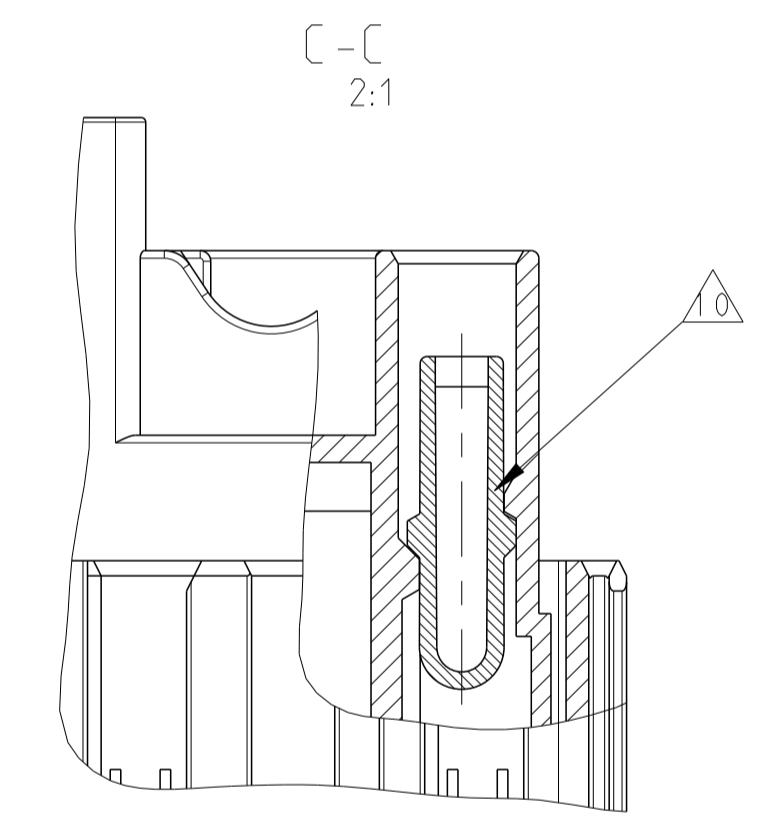
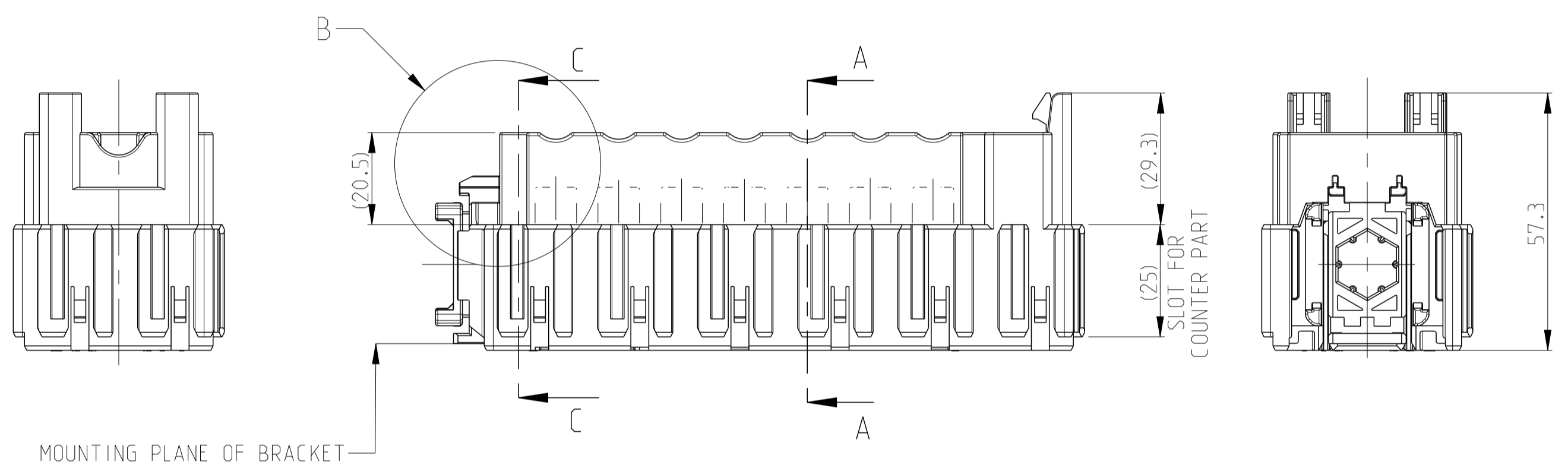
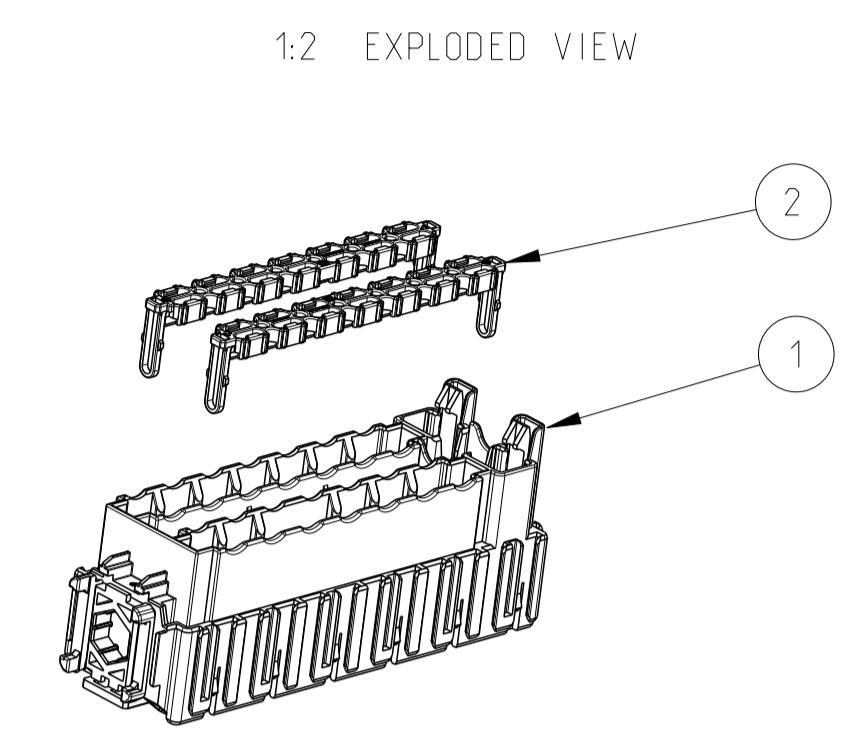
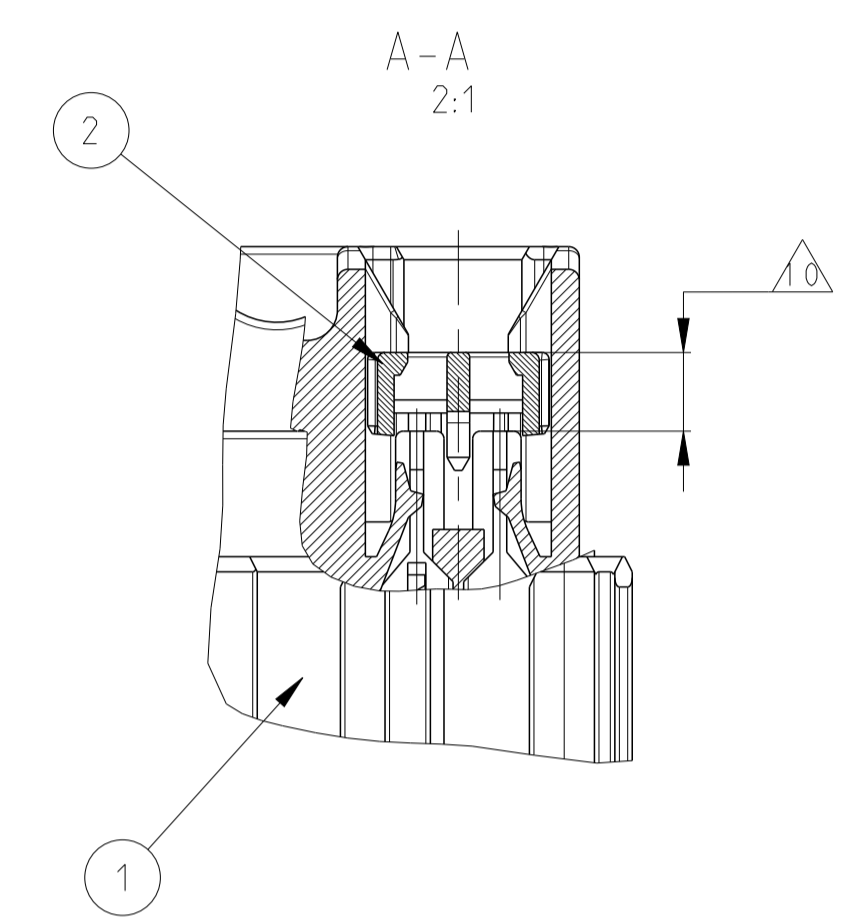
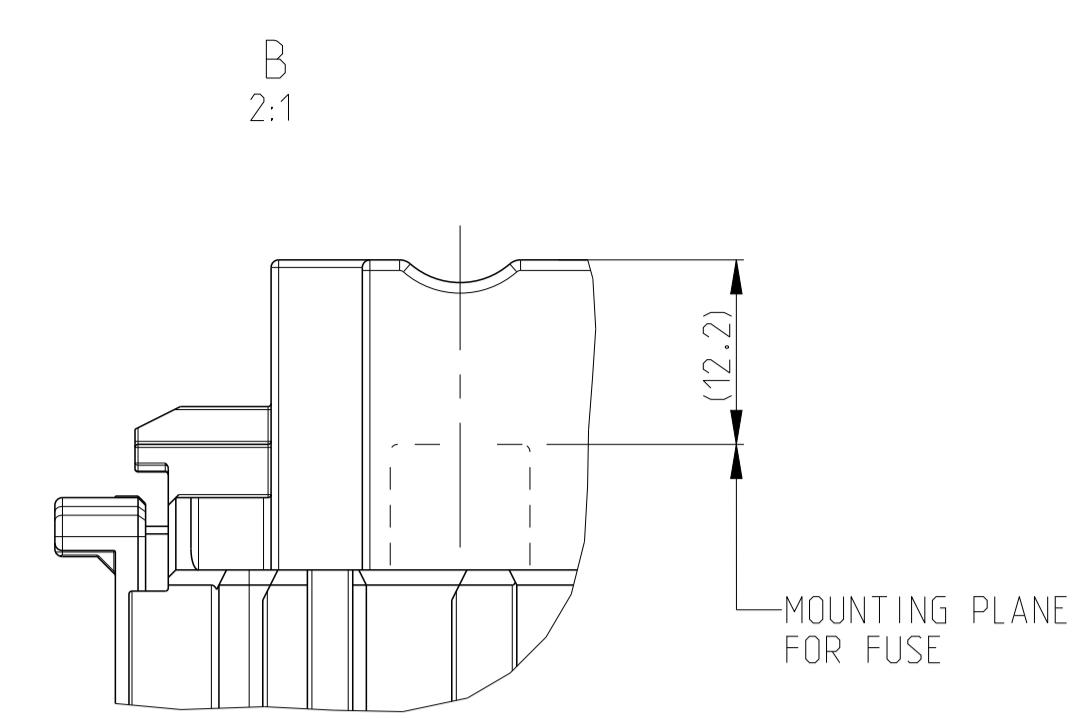
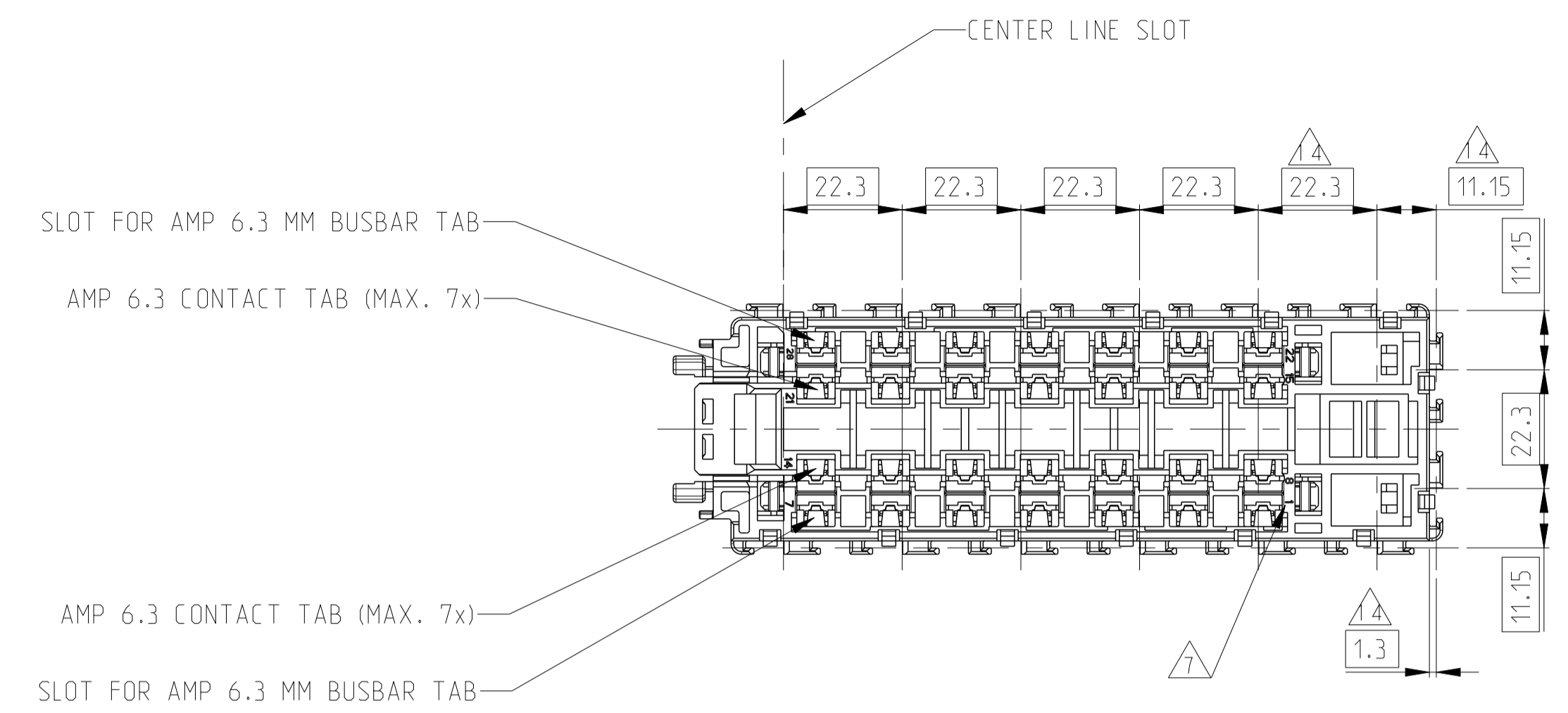
TE ASSY NO.	REV	WEIGHT [g]	POS.	QTY.	DESCRIPTION	MATERIAL	COLOR SURFACE	ITEM NO.
2141040-1	B	206.74	4	2	SPACER	PBT-GF20	GREY	4
			3	1	HOUSING	PA6-GF10-GB20	BLACK	3
			2	1	HEXAGON SCREW M8x15	STEEL 8.8	ZINCED	2
			1	1	BUSBAR	CuSn0.15	PRE TINNED	1

THIS DRAWING IS A CONTROLLED DOCUMENT. DWN: H. NEUMEUER 13SEP2010  
 CHK: R. HECKER 13SEP2010  
 DIMENSIONS: mm TOLERANCES UNLESS OTHERWISE SPECIFIED:  
 0 PLC ±0.5  
 1 PLC ±0.5  
 2 PLC ±0.5  
 3 PLC ±0.5  
 4 PLC ±0.5  
 ANGLES ±0.2°  
 MATERIAL: SEE TABLE FINISH: SEE TABLE

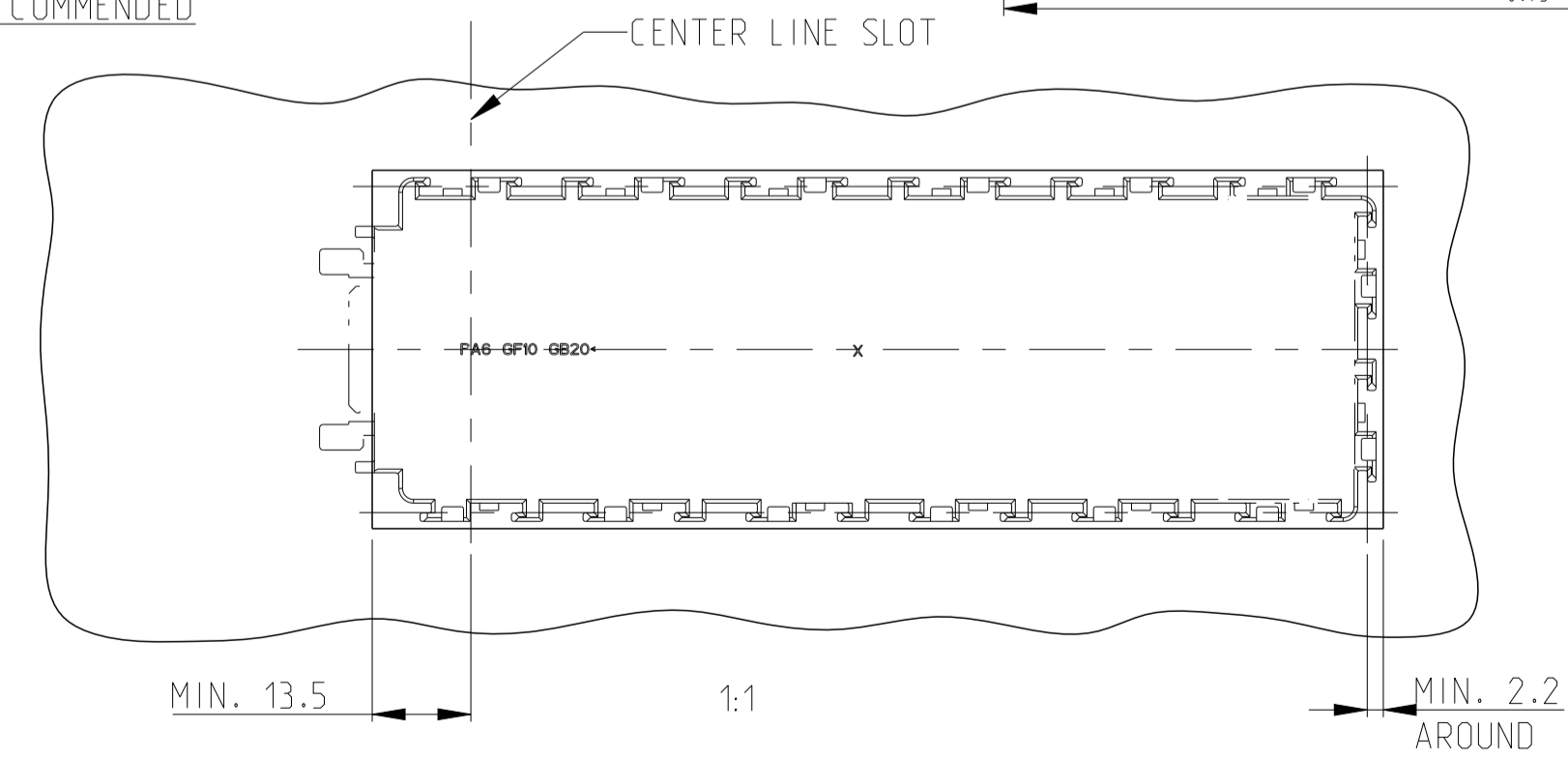
NAME: TYPE A FUSE MODULE  
 14 POS ASSY  
 SIZE: CAGE CODE DRAWING NO: 114-94090  
 WEIGHT: SEE TABLE  
 CUSTOMER DRAWING: A1 00779 ©=2141040

TE Connectivity  
 SCALE: 5:1 SHEET 1 OF 2 REV A1

LOC	DIST	REVISIONS					
		P	LTN	DESCRIPTION	DATE	DMN	APVD
A1	-	-	-	SEE SHEET 1	-	-	-



MOUNTING OPENING FOR MODULE PN 2141040-2 ONLY COMEMDED



NOTES

- 1 TE LOGO
- 2 TE ORDER NUMBER
- 3 MATERIAL MARKING
- 4 PRODUCTION DATE
- 5 TOOL CAVITY MARKING
- 6 SLOT MARKING
- 7 CAVITY MARKING
- 8 REVISION NUMBER
- 9 PACKAGING: LAYERS IN CARD BOARD BOX
- 10 SPACER FOR ALL FUSES IN PRE LATCHED POSITION
- 11 PARTS ARE TO BE FREE OF SCRATCHES DISCOLORATION, SALT RESIDUE OR OTHER IMPERFECTIONS THAT MAY AFFECT FUNCTION OR FIT OF PART
- 12 :
- 13 OVER VIEW PRODUCT GROUP SEE : 114-94092
- 14 SYSTEM PITCH DIMENSION'S FOR MULTIPLE PLUG IN SYSTEM
- 15 PLEASE NOTE: MAX. CURRENT CARRYING CAPACITY OF MODULE SEE : 108-94263

USED WITH:
ALLOCATED FOR: FUSE TYPE A 60A MAX.
PREFERRED: LOW PROFIL
NOMINAL VOLTAGE SYSTEM: 12V
TEMPERATURE CLASS: -40 TO 85 °C
VIBRATION CLASS: 1. ON BODY OR CHASSIS
SEALED CLASS: 0
ONLY BASIC DATA FOR DETAIL SEE PRODUCT SPEC

2141040-2	B	144.69	2	2	SPACER	PBT-GF20	GREY	2
			1	1	HOUSING	PA6-GF10-GB20	BLACK	1

TE ORDER NO	TE ORDER NO	SUPPLIER	WIRE RANGE	MATERIAL	FINISH
963755-1			2.5-4.0 MM <sup>2</sup>	CuSn4	PRE TIN PLATED
963754-1			1.5-2.5 MM <sup>2</sup>	CuSn4	PRE TIN PLATED
963753-1			0.5-1.0 MM <sup>2</sup>	CuSn4	PRE TIN PLATED

TE ORDER NO	TE ORDER NO	SUPPLIER	WIRE RANGE	MATERIAL	FINISH
1670225-1			4.0-6.0 MM <sup>2</sup>	CuZn10	PRE TIN PLATED

THIS DRAWING IS A CONTROLLED DOCUMENT. DIMENSIONS: mm. TOLERANCES UNLESS OTHERWISE SPECIFIED: 0 PLC ±0.5, 1 PLC ±0.5, 2 PLC ±0.5, 3 PLC ±0.5, 4 PLC ±0.5, ANGLES ±0.2°. MATERIAL: SEE TABLE. FINISH: SEE TABLE.

OWN: H. NEUMEUER 13SEP2010  
 CHK: R. HECKER 13SEP2010  
 G. MUMMER 13SEP2010

NAME: TYPE A FUSE MODULE  
 14POS ASSY

SIZE: CAGE CODE DRAWING NO  
 A1 00779 C=2141040

RESTRICTED TO: -

CUSTOMER DRAWING SCALE: 5:1 SHEET 2 OF 2 REV A1