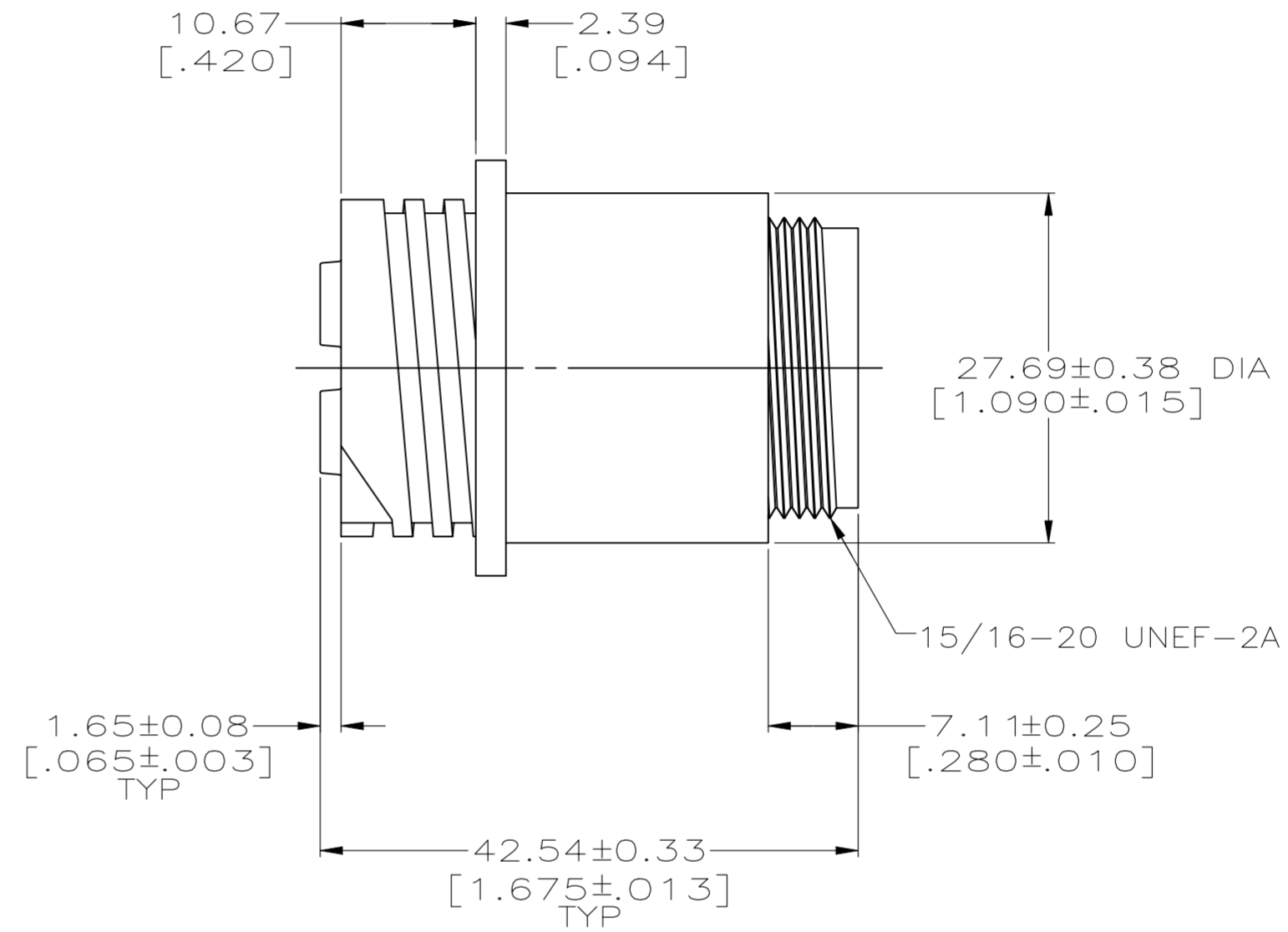
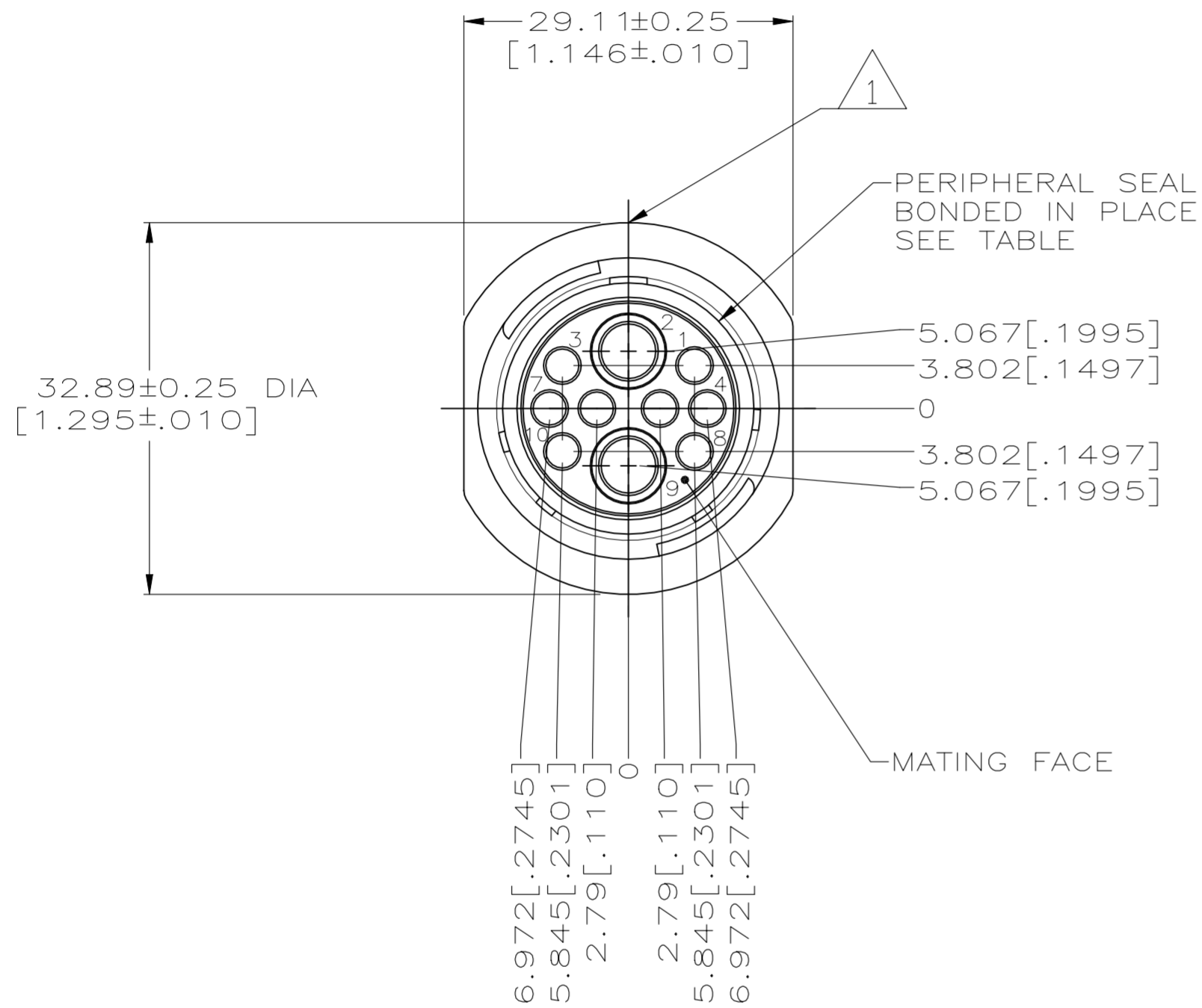


REVISIONS					
P	LTR	DESCRIPTION	DATE	DWN	APVD
C		ECO-21-006943	13OCT2021	RK	MZ



NOTES

1 TE LOGO AND PART NUMBER LOCATED ON ANY FLANGE EDGE  
SEE CHART.

213894-2	213894-1	YES	213894-2
-	213894-1	NO	213894-1
PART NUMBER LASER MARKED OR INK STAMPED ON HOUSING	PART NUMBER MOLDED INTO HOUSING	PERIPHERAL SEAL	PART NUMBER

THIS DRAWING IS A CONTROLLED DOCUMENT.		DWN D.HARDY 06/27/95	TE Connectivity	
DIMENSIONS: mm[INCHES]		CHK R.STONE 06/29/95		
TOLERANCES UNLESS OTHERWISE SPECIFIED:		APVD A.FRANTUM 06/29/95	NAME RECEPTACLE HOUSING, REVERSE SEX, SERIES 6, 17-10, CIRCULAR PLASTIC CONNECTOR	
0 PLC ± - 1 PLC ± - 2 PLC ± 0.13 [.005] 3 PLC ± 0.013 [.0005] 4 PLC ± - ANGLES ± -		PRODUCT SPEC 108-1579	SIZE A2	CAGE CODE 00779
MATERIAL NYLON, BLACK	FINISH -	APPLICATION SPEC -	DRAWING NO C=213894	RESTRICTED TO -
CUSTOMER DRAWING			SCALE 2:1	SHEET 1 of 1
			REV C	