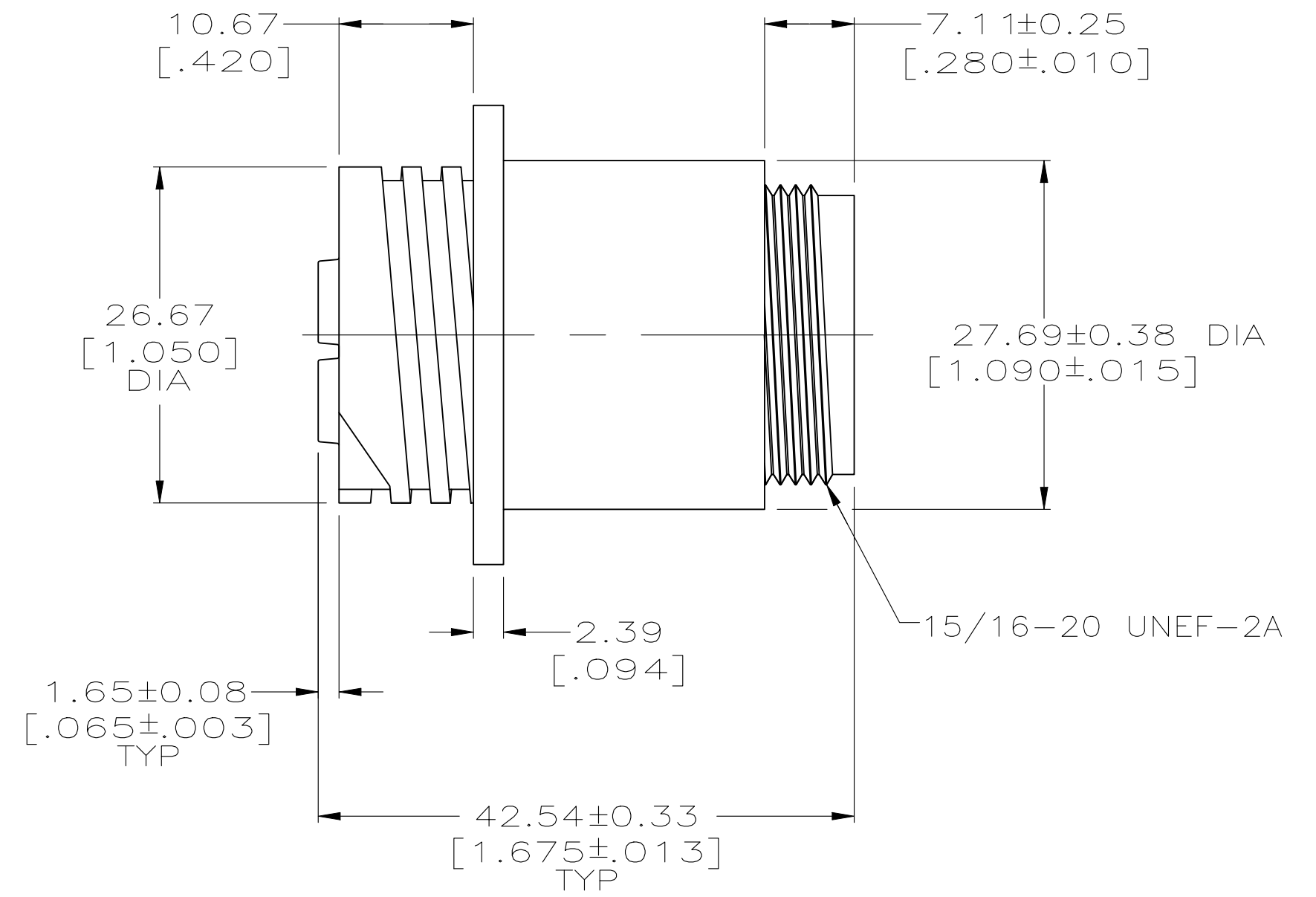
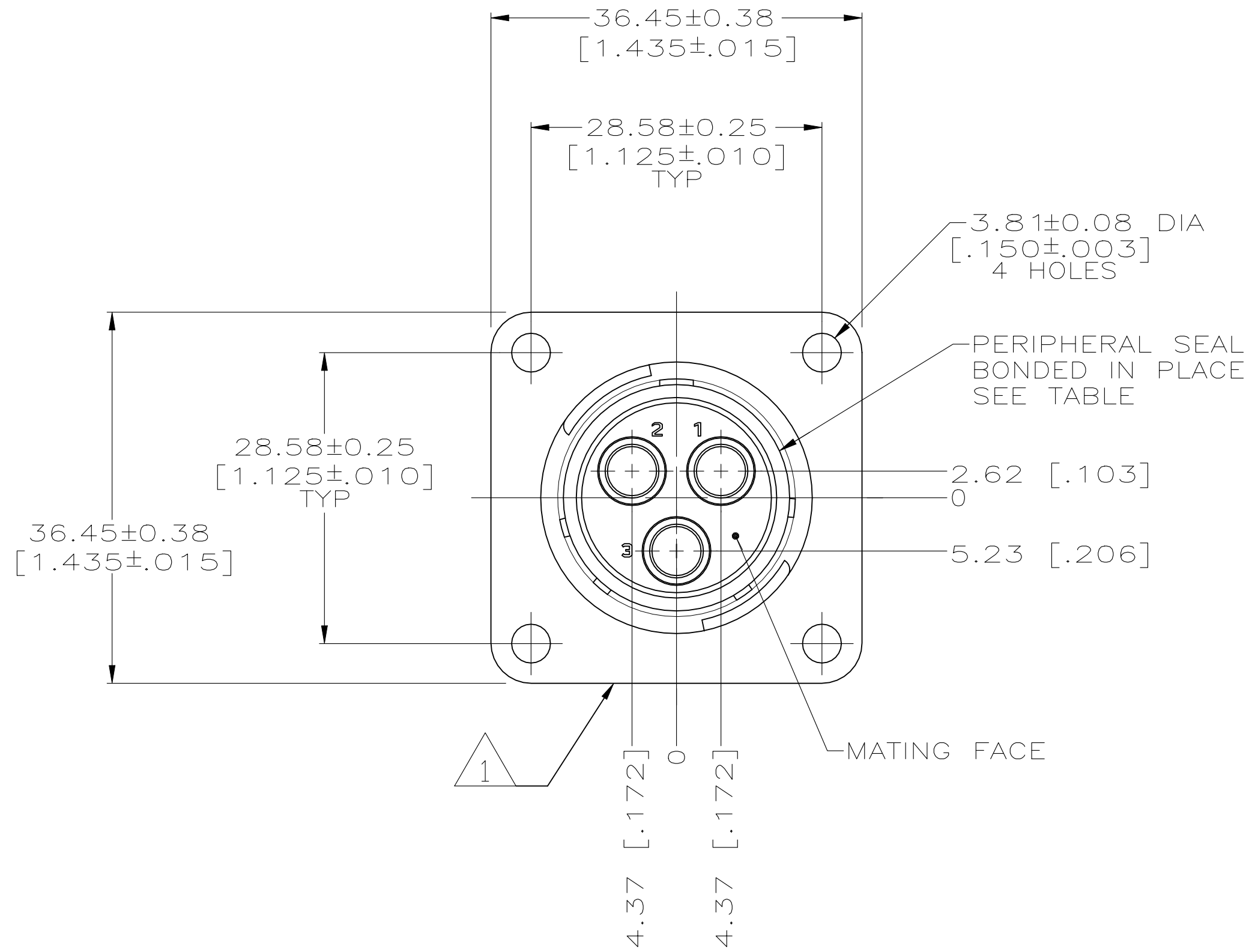


REVISIONS					
P	LTR	DESCRIPTION	DATE	DWN	APVD
C		REVISED PER ECO-21-006943	13OCT2021	RK	MZ



NOTES:

1 TE LOGO AND PART NUMBER MARKED ON ANY FLANGE EDGE

YES	213889-2
NO	213889-1
PERIPHERAL SEAL	PART NUMBER

THIS DRAWING IS A CONTROLLED DOCUMENT.		DWN	D.HARDY	06/23/95	 TE Connectivity
DIMENSIONS: mm [INCHES]		CHK	R.STONE	06/29/95	
TOLERANCES UNLESS OTHERWISE SPECIFIED:		APVD	A.FRANTUM	06/29/95	
0 PLC ± - 1 PLC ± - 2 PLC ± 0.13 [.005] 3 PLC ± - 4 PLC ± - ANGLES ± -		PRODUCT SPEC	108-1579		
MATERIAL	NYLON, BLACK	FINISH	-	WEIGHT	-
CUSTOMER DRAWING		SCALE	2:1	SHEET	1 OF 1
-		REV	C	-	