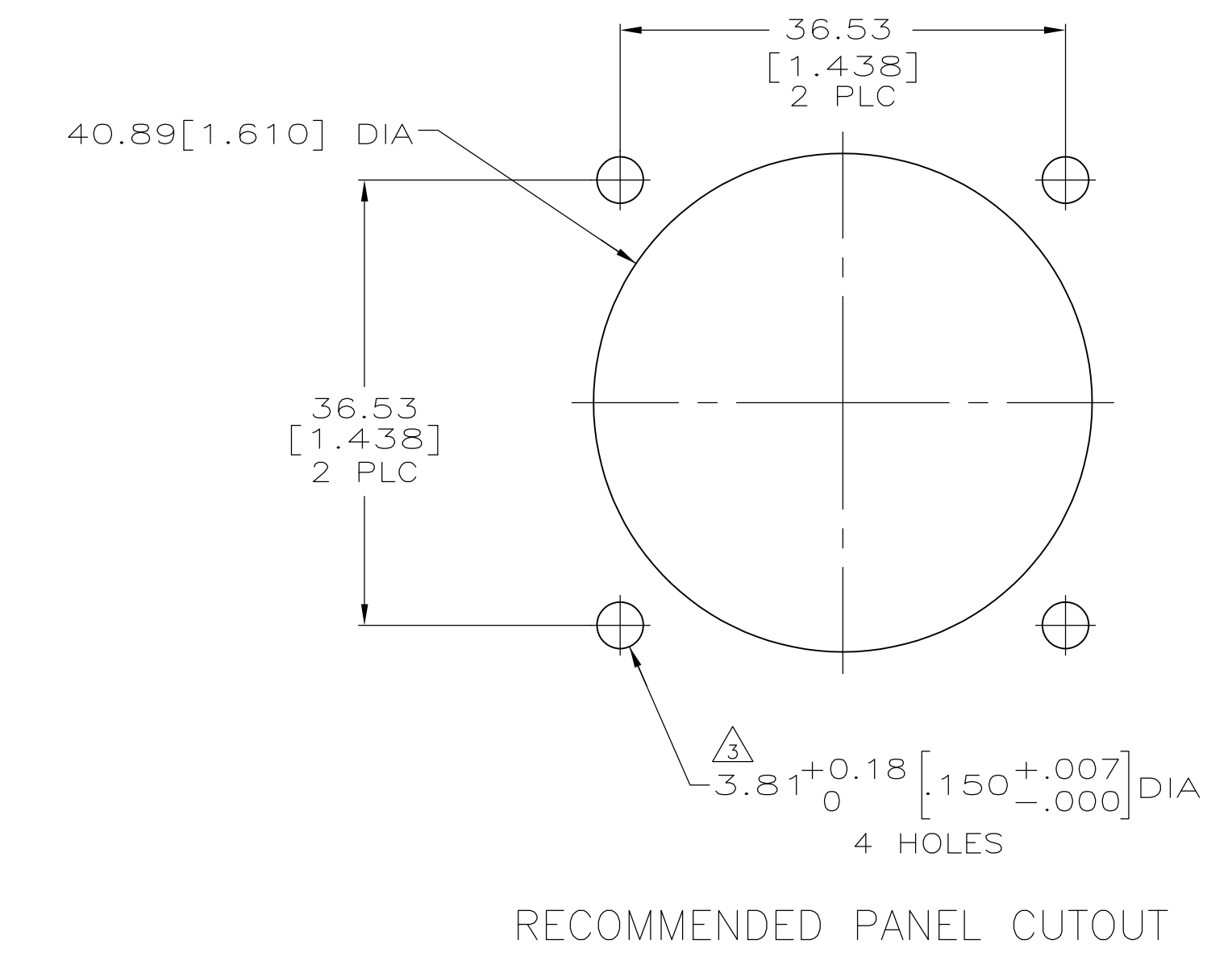
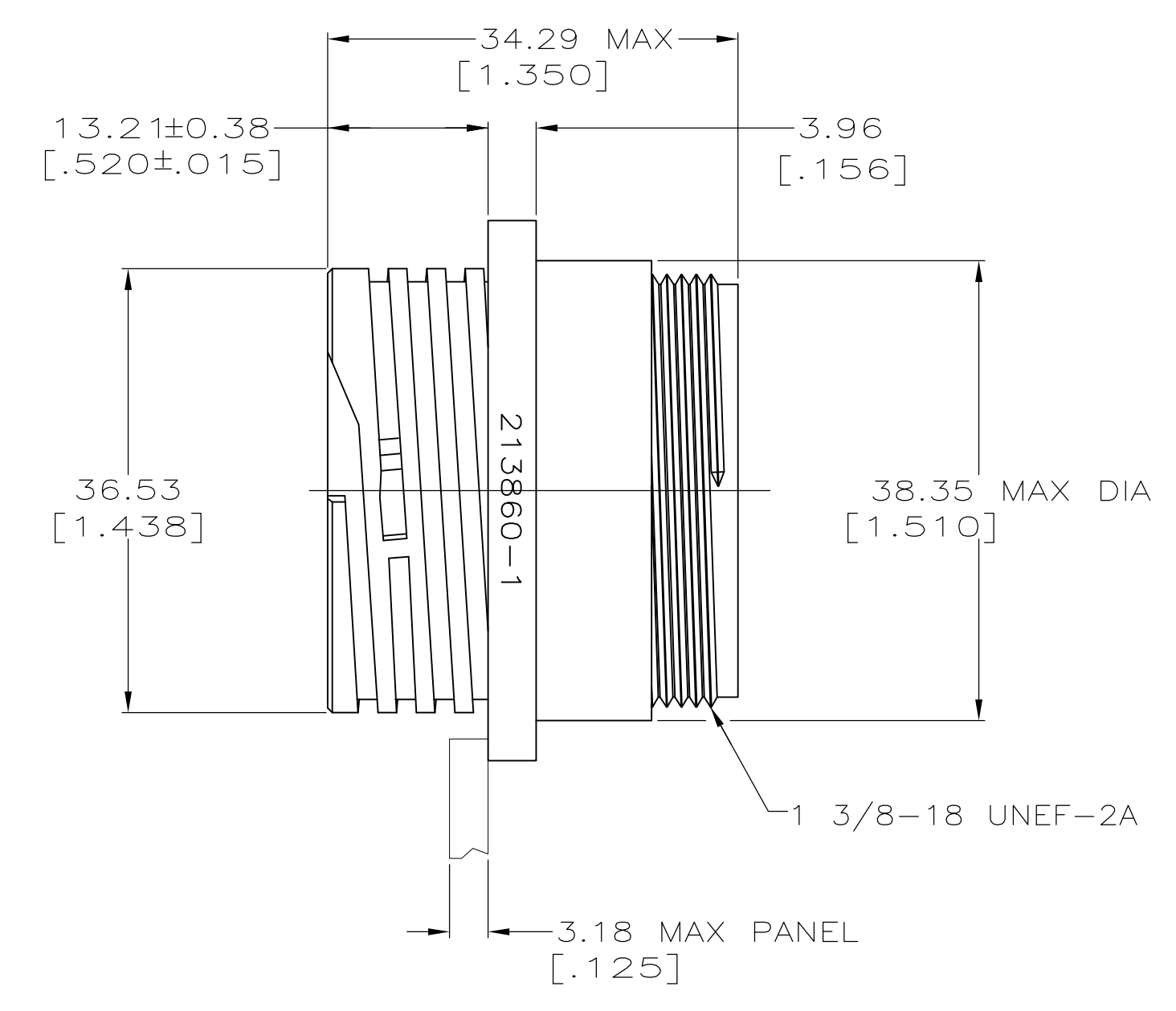
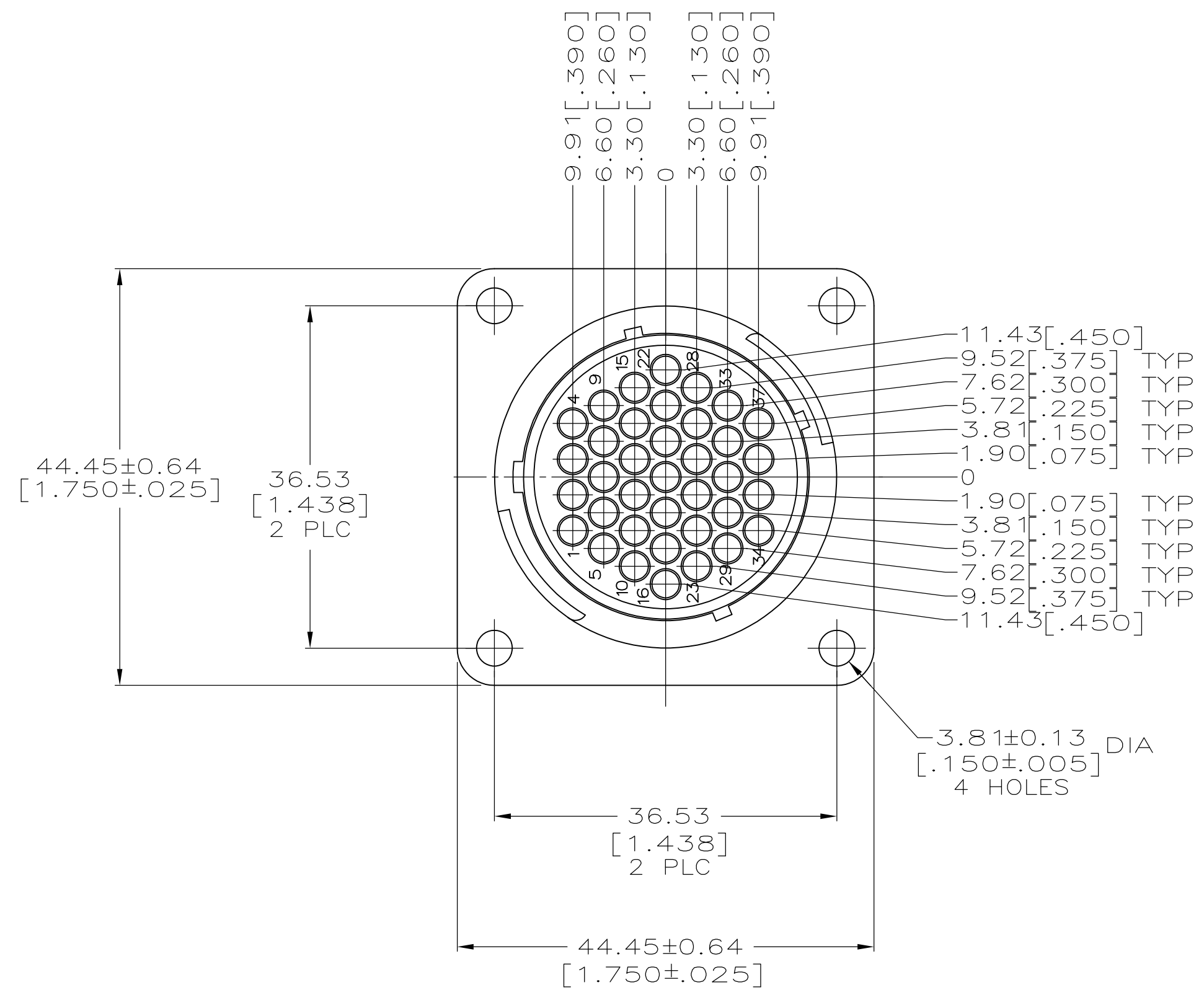


LOC		DIST		REVISIONS			
P	LTR	DESCRIPTION	DATE	DMN	APVD		
A		REVISED PER ECO-12-015521	28SEP12	KH	MZ		

- 1 CAVITY IDENTIFICATION ON FRONT AND REAR FACE.
- 2 WILL ACCEPT THIRTY-SEVEN (37) MULTIMATE PIN CONTACTS.
- 3 NO 4 FASTENER RECOMMENDED FOR MOUNTING.



213860-1  
PART NUMBER

THIS DRAWING IS A CONTROLLED DOCUMENT.		DIN K.FOLTZ 12/20/94	TE Connectivity	
DIMENSIONS: mm(INCHES)		CHK R.STONE 01/05/95	NAME RECEPTACLE HOUSING, STANDARD SEX, SIZE 23, CPC	
TOLERANCES UNLESS OTHERWISE SPECIFIED:		APVD T.COULSON 01/05/95	PRODUCT SPEC 108-10024	
0 PLC ± -		APPLICATION SPEC		
1 PLC ± -		SIZE A1		
2 PLC ± 0.25 [.010]		CAGE CODE 00779		
3 PLC ± -		DRAWING NO 213860		
4 PLC ± -		RESTRICTED TO		
ANGLES ± -		WEIGHT		
MATERIAL NYLON, BLACK		FINISH		
		CUSTOMER DRAWING		
		SCALE 2:1 SHEET 1 OF 1 REV A		