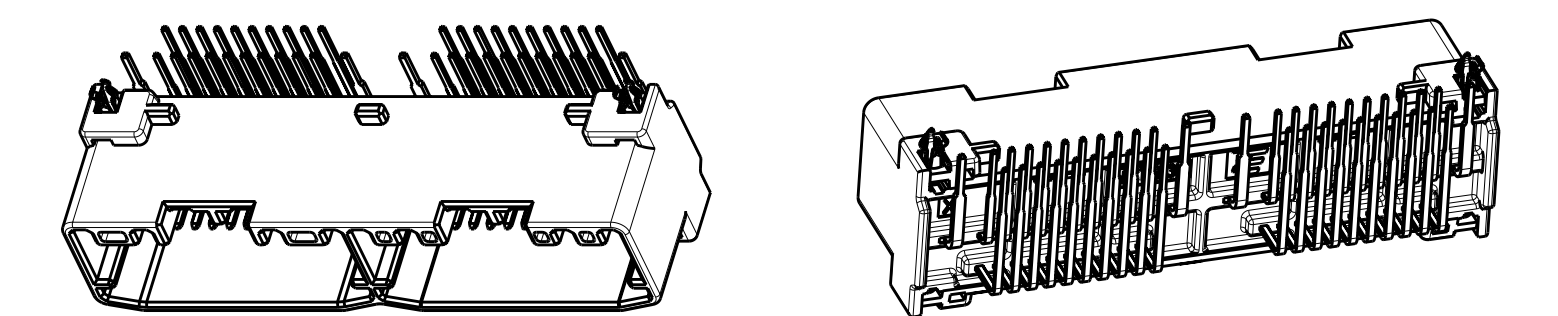
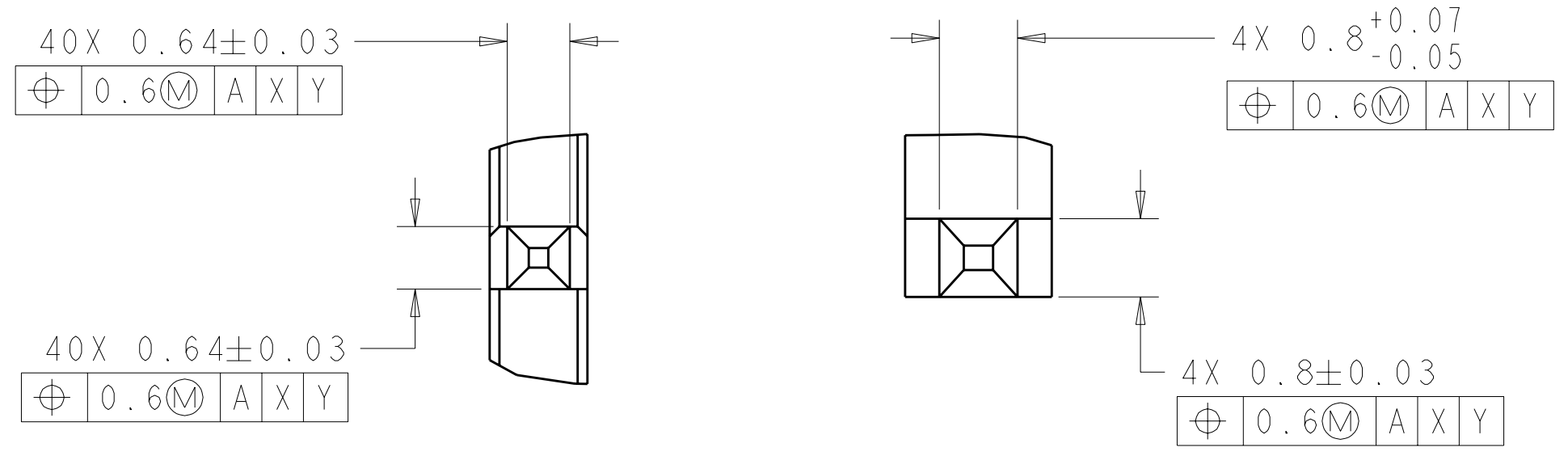
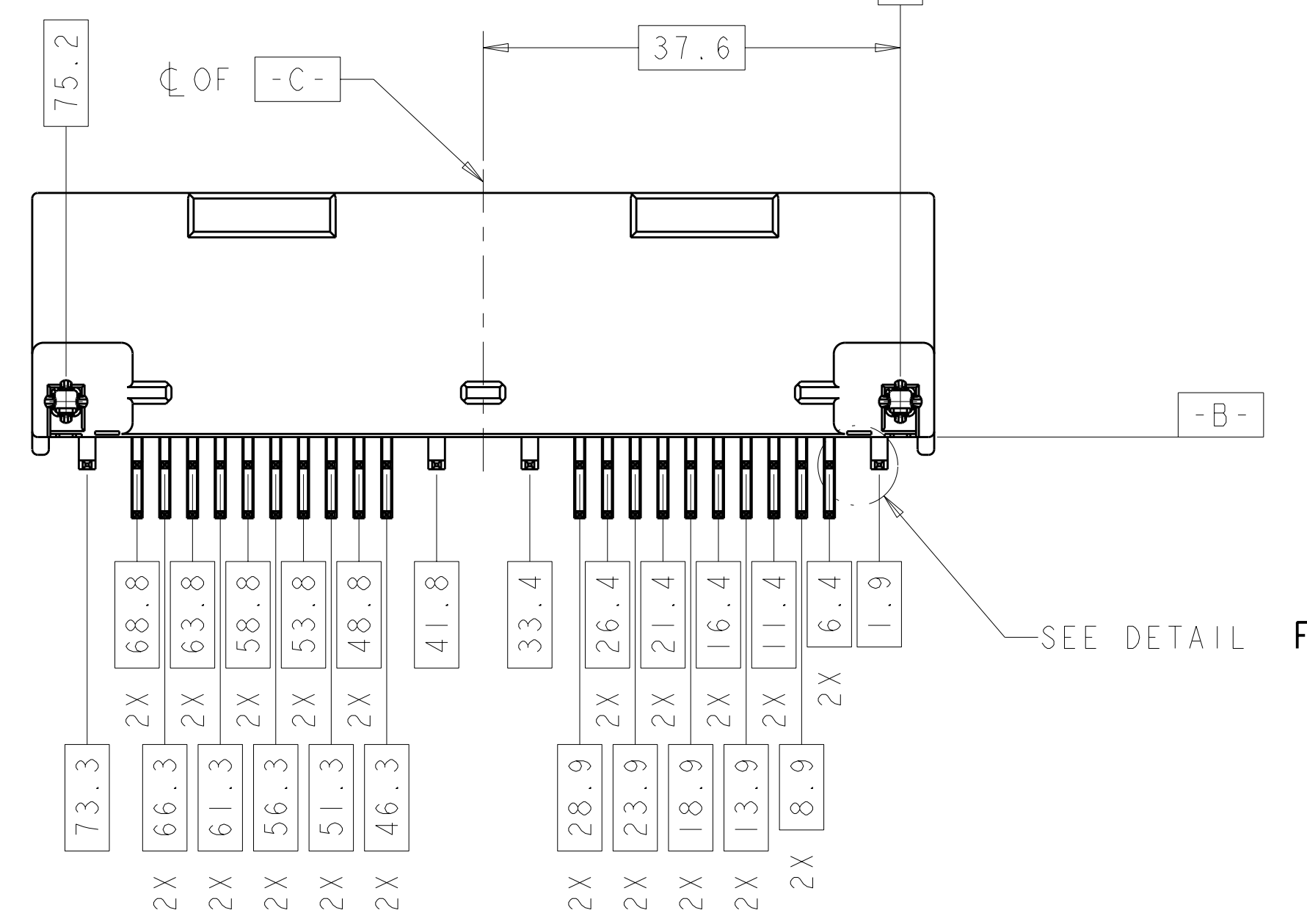
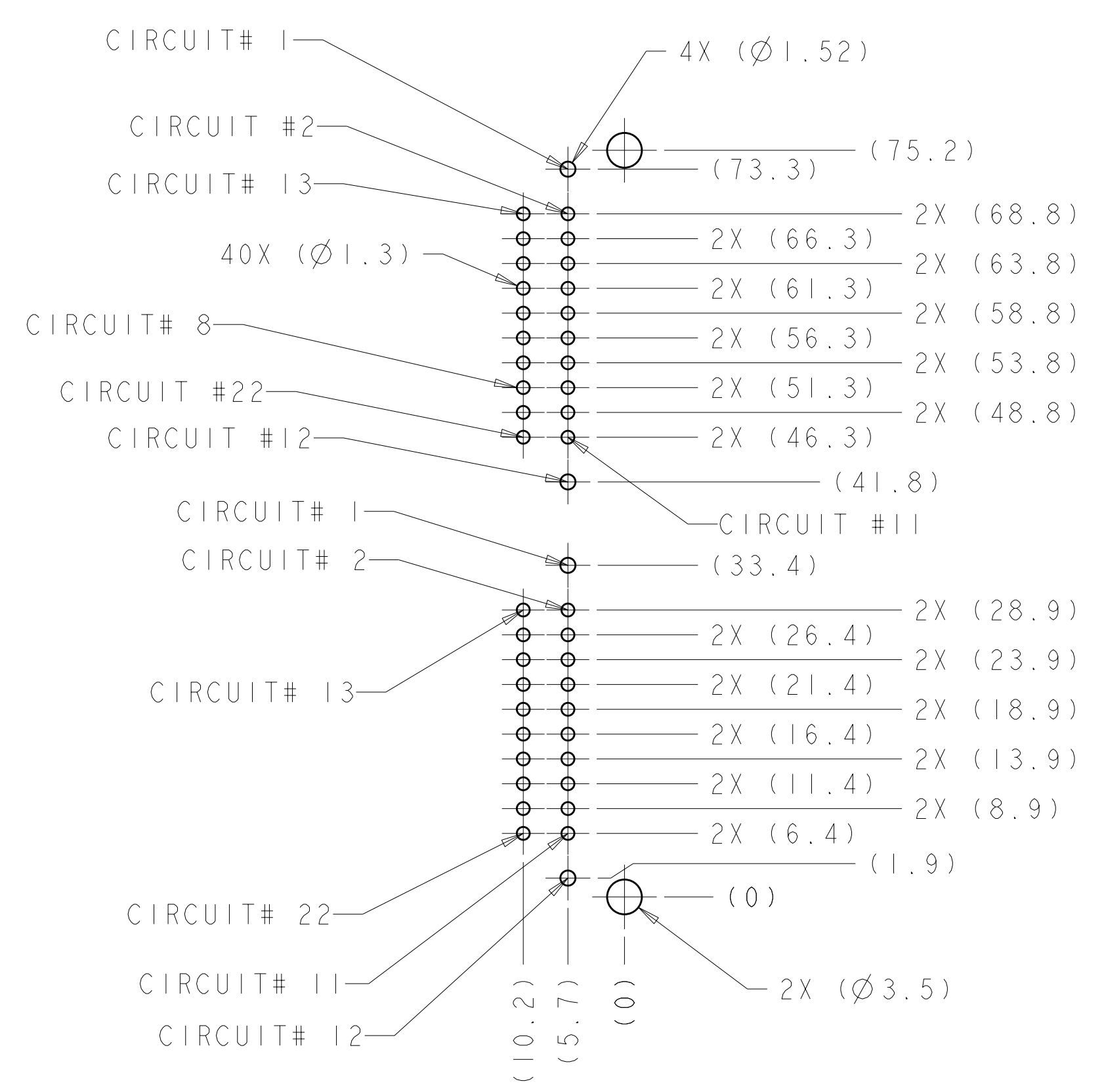
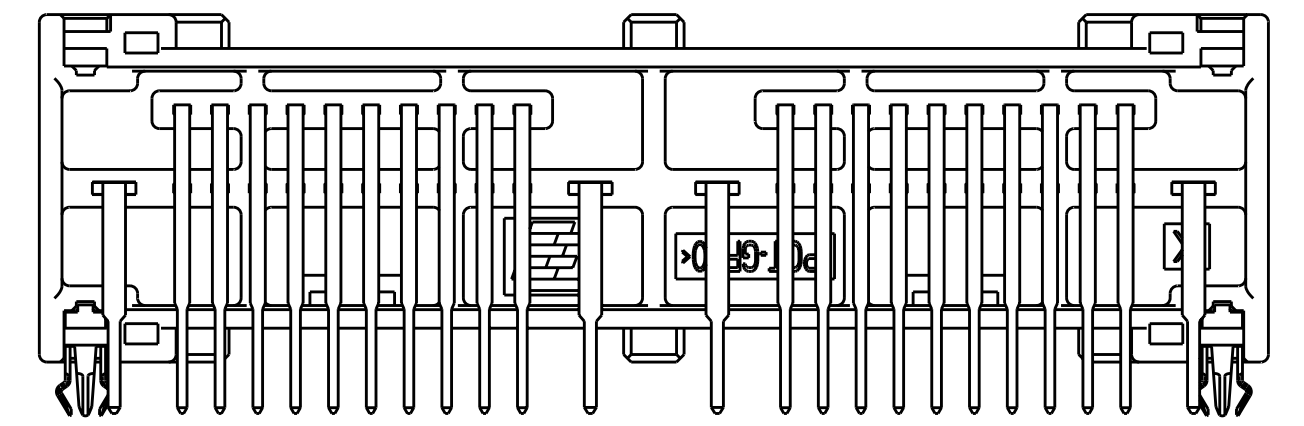
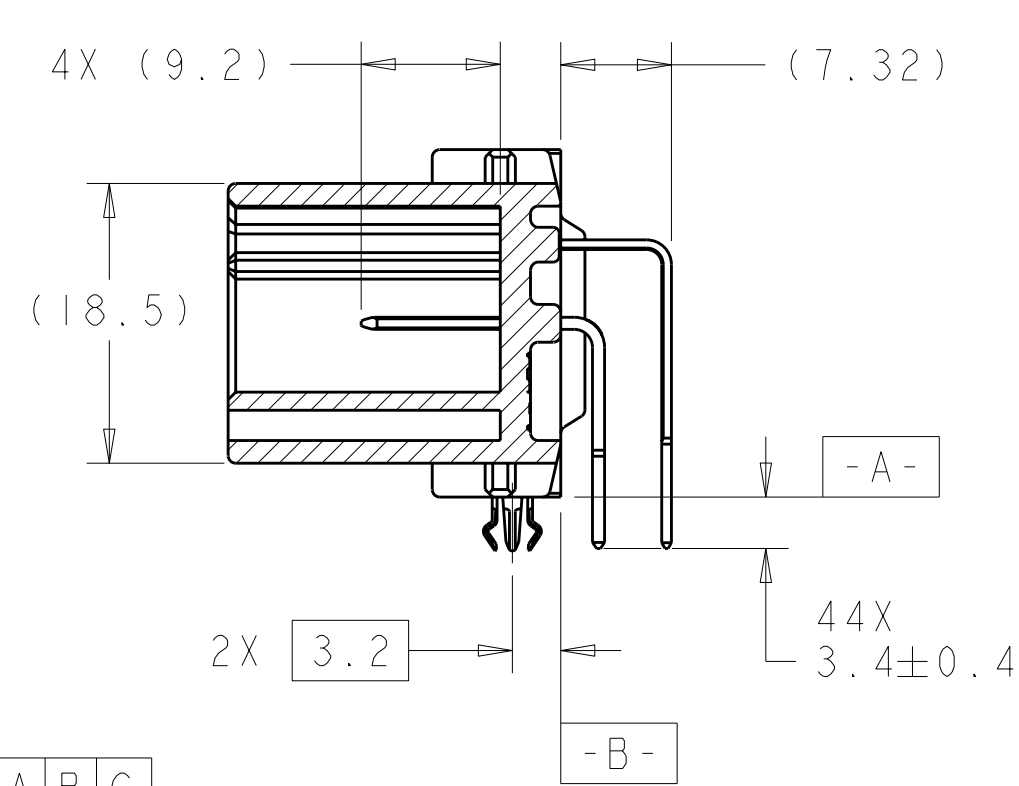
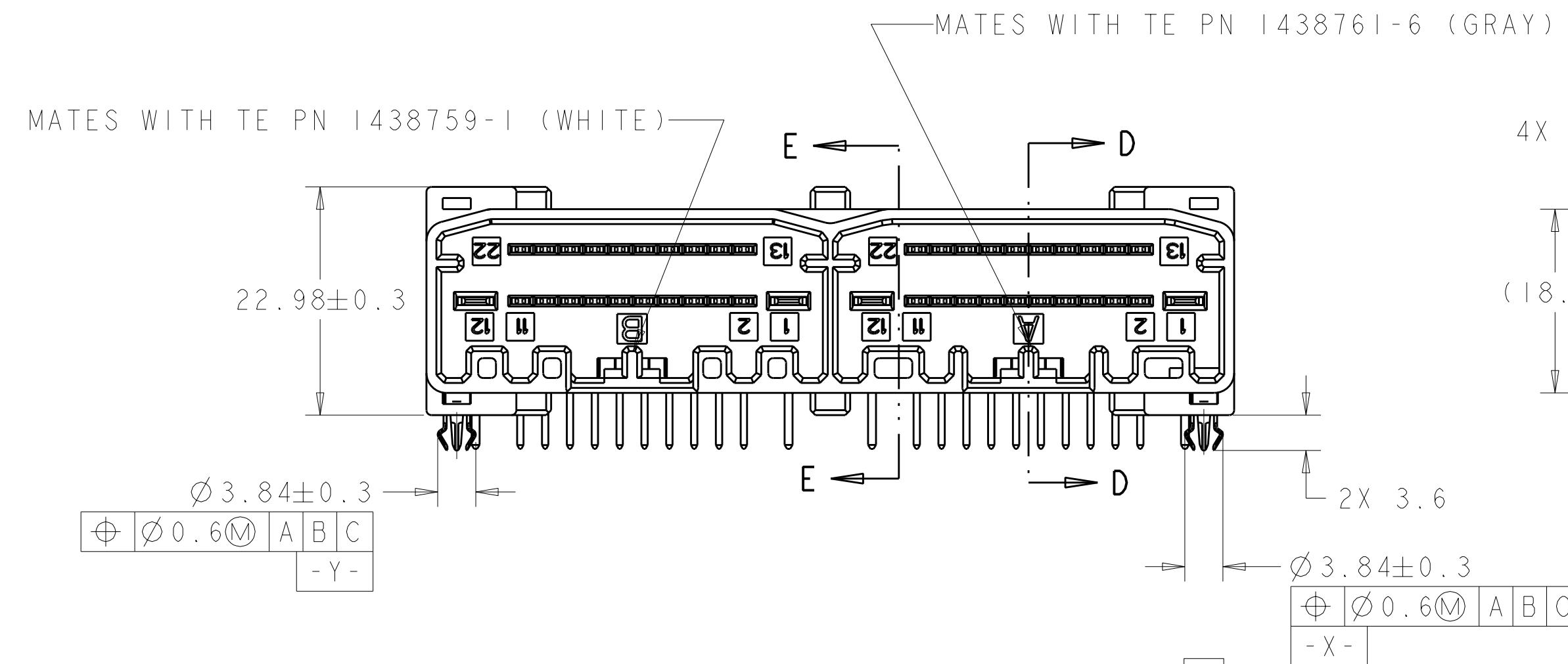
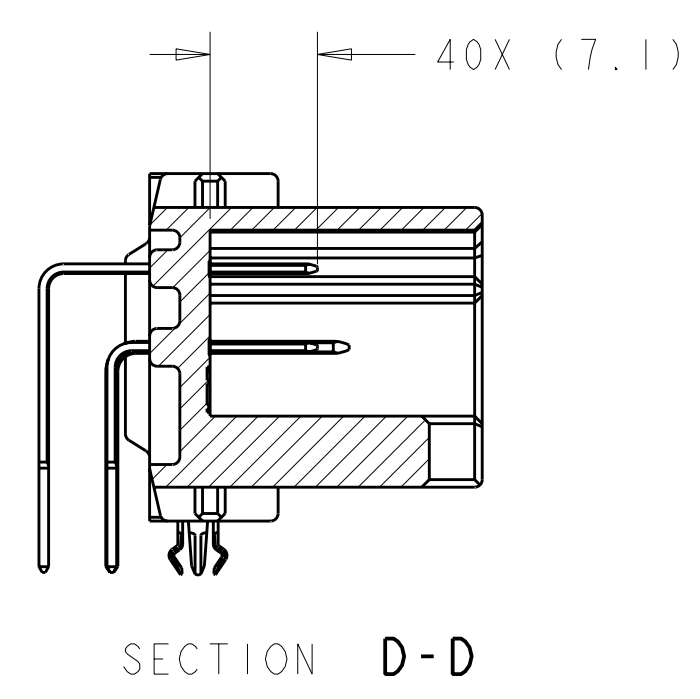
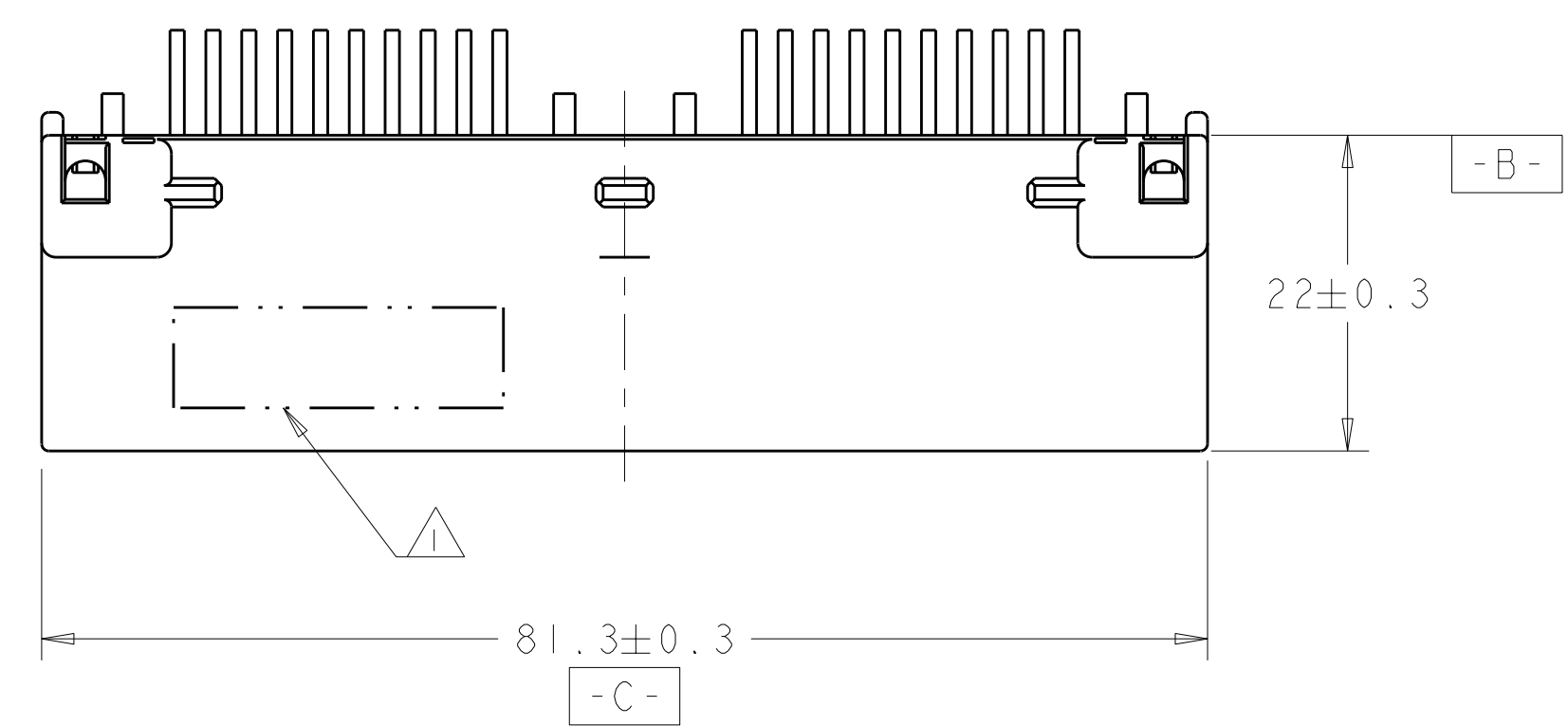


LOC		DIST		REVISIONS			
IN	00	P	LT#	DESCRIPTION	DATE	DWN	APVD
		B		RELEASED PER ECO-10-024673	02DEC2010	DLD	MHB

△ MARK DATE CODE IN APPROXIMATE LOCATION.



9-2138202-6  
SCALE 1:1

RECOMMENDED PCB LAYOUT  
CONNECTOR SIDE  
(RECOMMENDED BOARD THICKNESS 1.57mm)

DETAIL F  
SCALE 16:1

PCT	GRAY	BRASS	POST-TIN	BRASS	POST-TIN	PCT	GRAY	9-2138202-6
MATERIAL	FINISH	MATERIAL	FINISH	MATERIAL	FINISH	MATERIAL	COLOR	PART NUMBER
TINE PLATE		BOARDLOCK		CONTACT		HOUSING		
DIMENSIONS:		TOLERANCES UNLESS OTHERWISE SPECIFIED:		DWN: D. DRUMMOND 02DEC2010		Tyco Electronics Harrisburg, PA 17105-3608		
mm		9 PLC ±.3		CHK: M. BANAS 02DEC2010		NAME: CAP ASSEMBLY, 44 POSITION, 040/2.8 HYBRID (2X- 22P HYBRID) PINS SAME SIDE OF CONNECTOR LATCH		
APVD: M. BANAS 02DEC2010		1 PLC ±0.1		PRODUCT SPEC		SIZE: CAGE CODE: DRAWING NO: RESTRICTED TO		
MATERIAL:		2 PLC ±.1		APPLICATION SPEC		A100779C=2138202		
FINISH:		3 PLC ±.1		WEIGHT		SCALE 2:1 SHEET 1 OF 1 REV B		
		4 PLC ±.1		CUSTOMER DRAWING				
		ANGLES ±°						