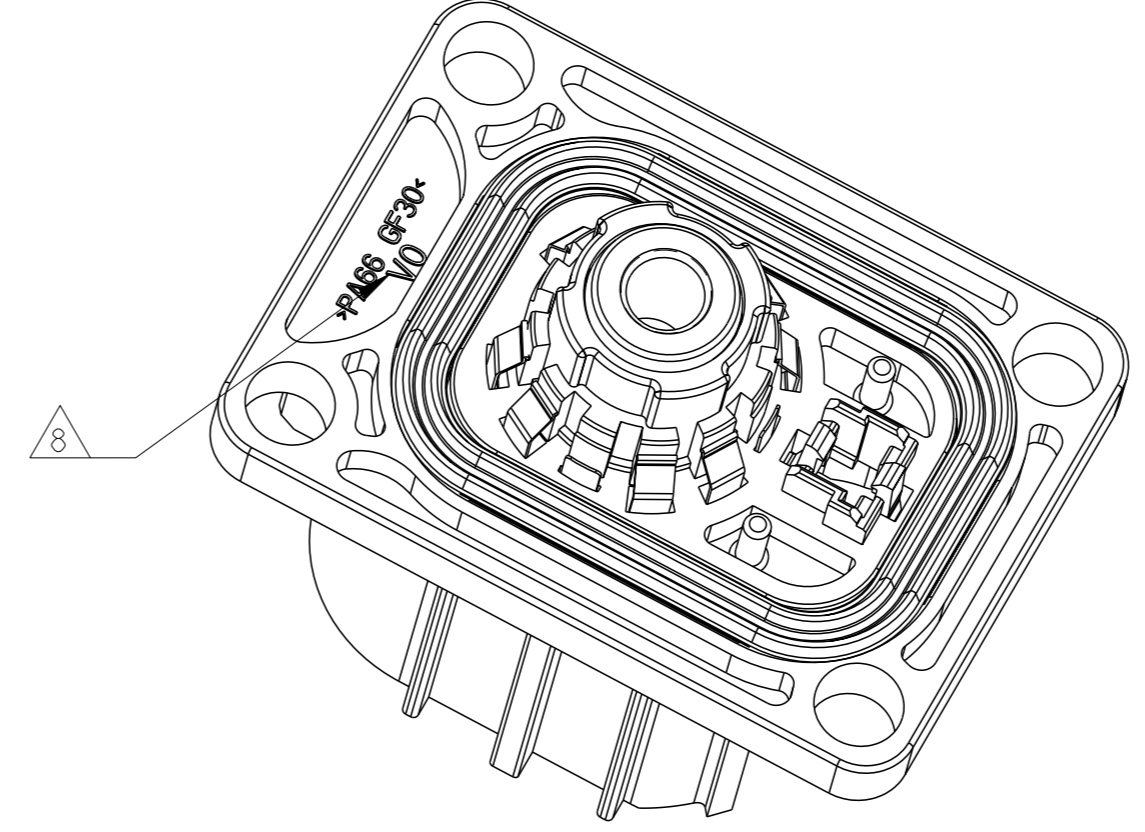
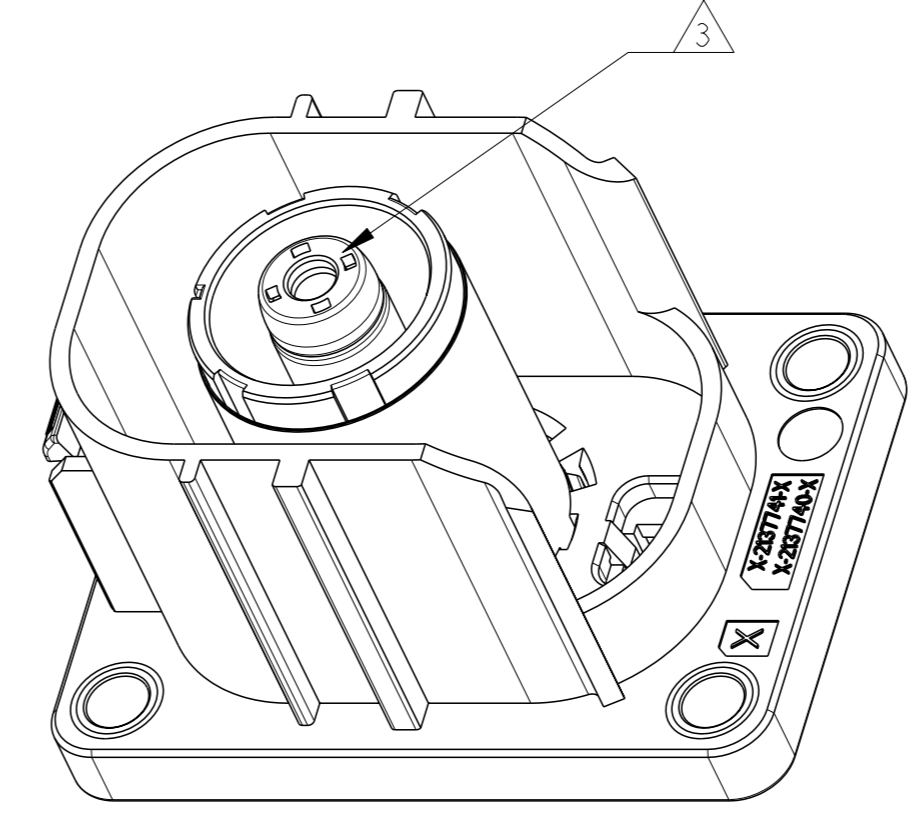
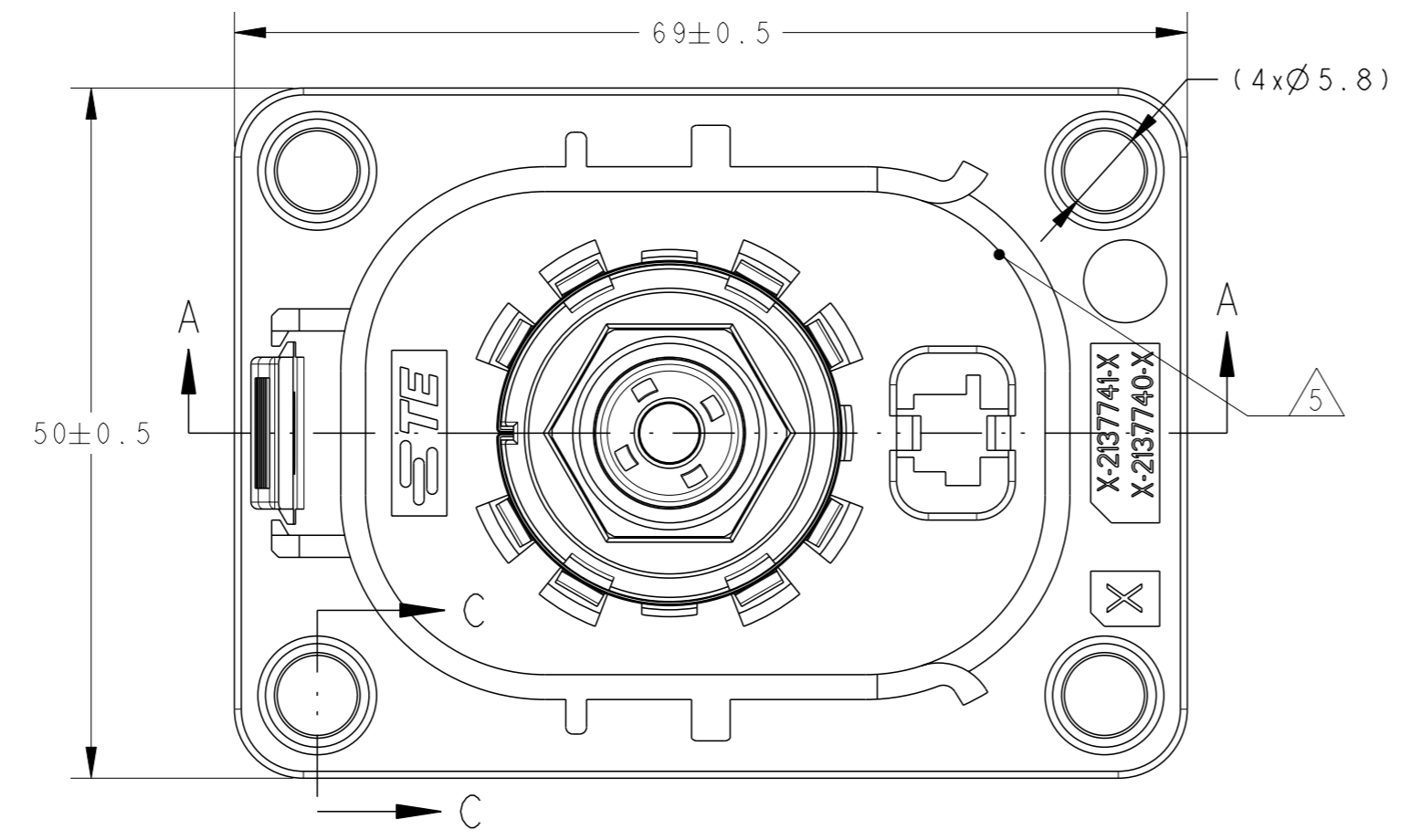


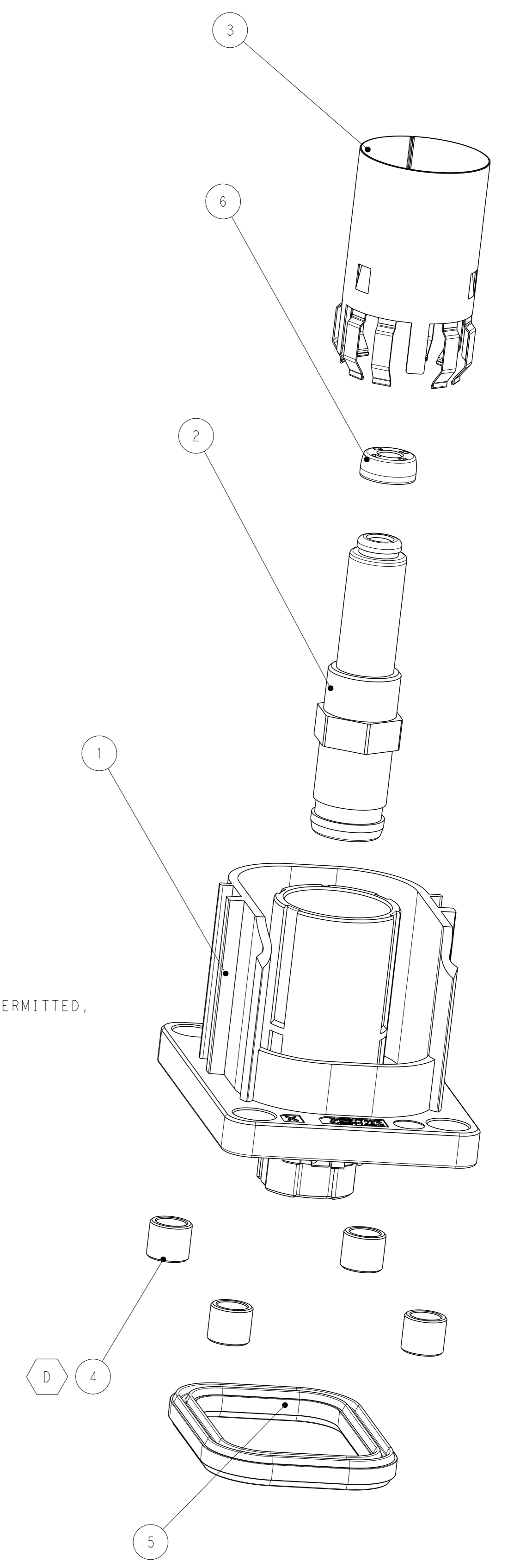
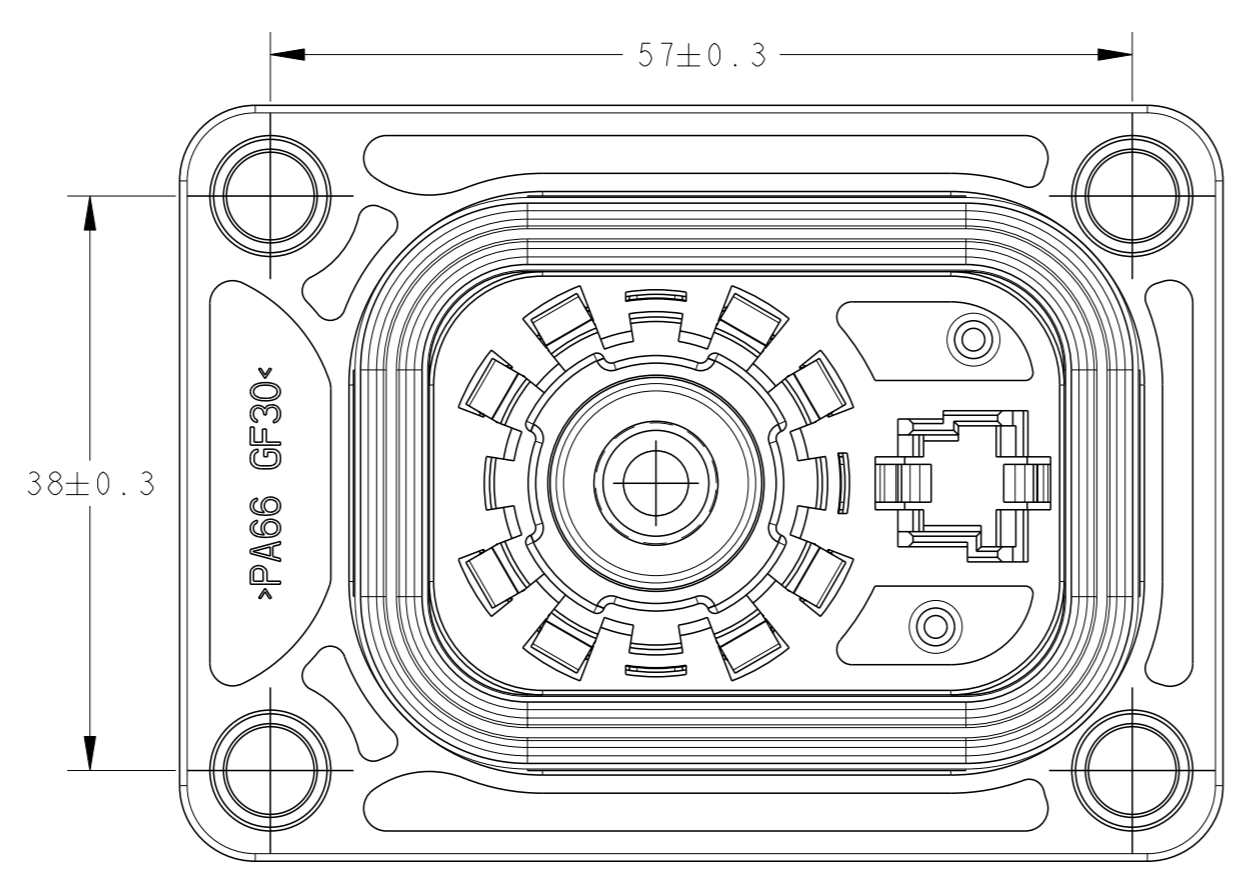
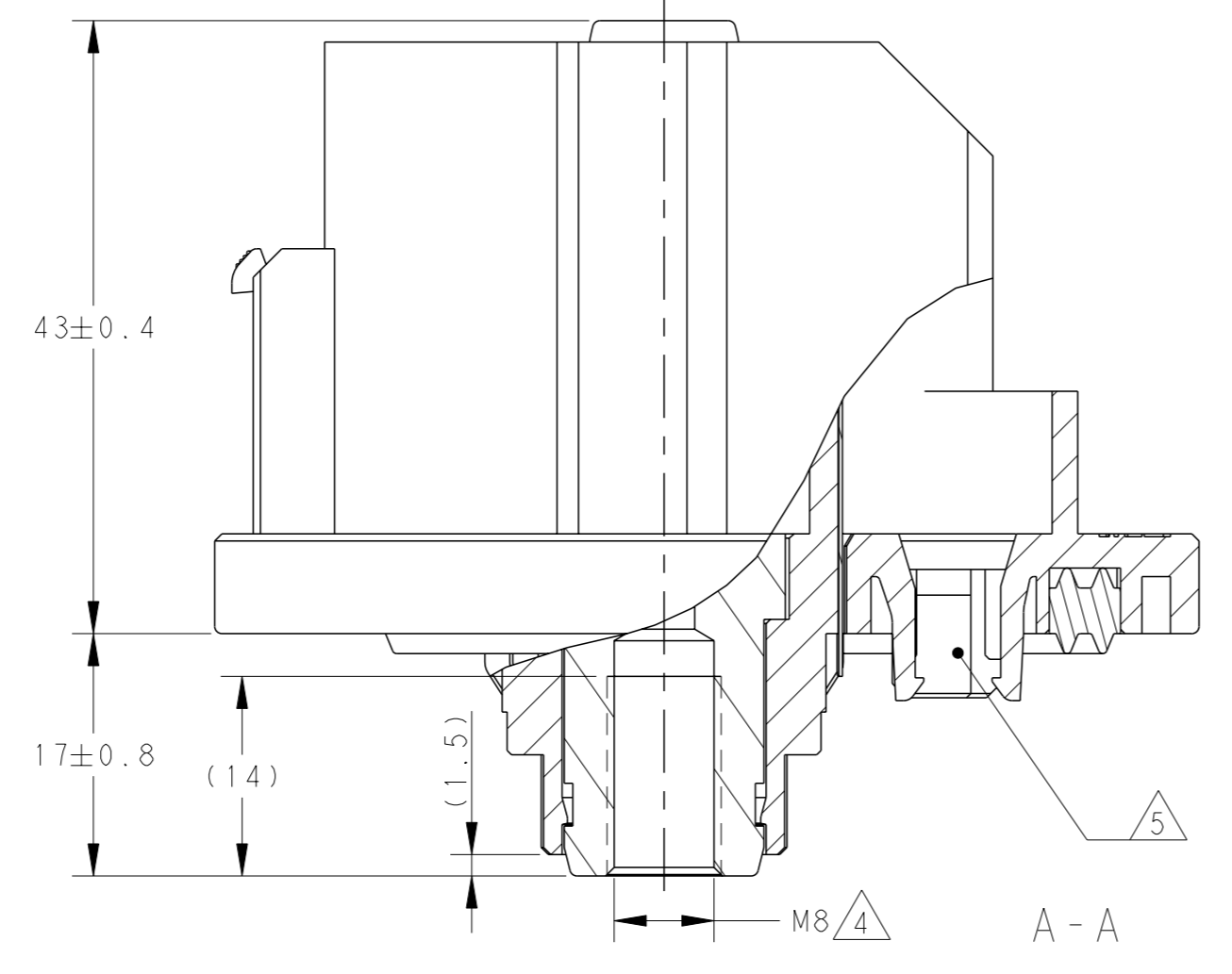
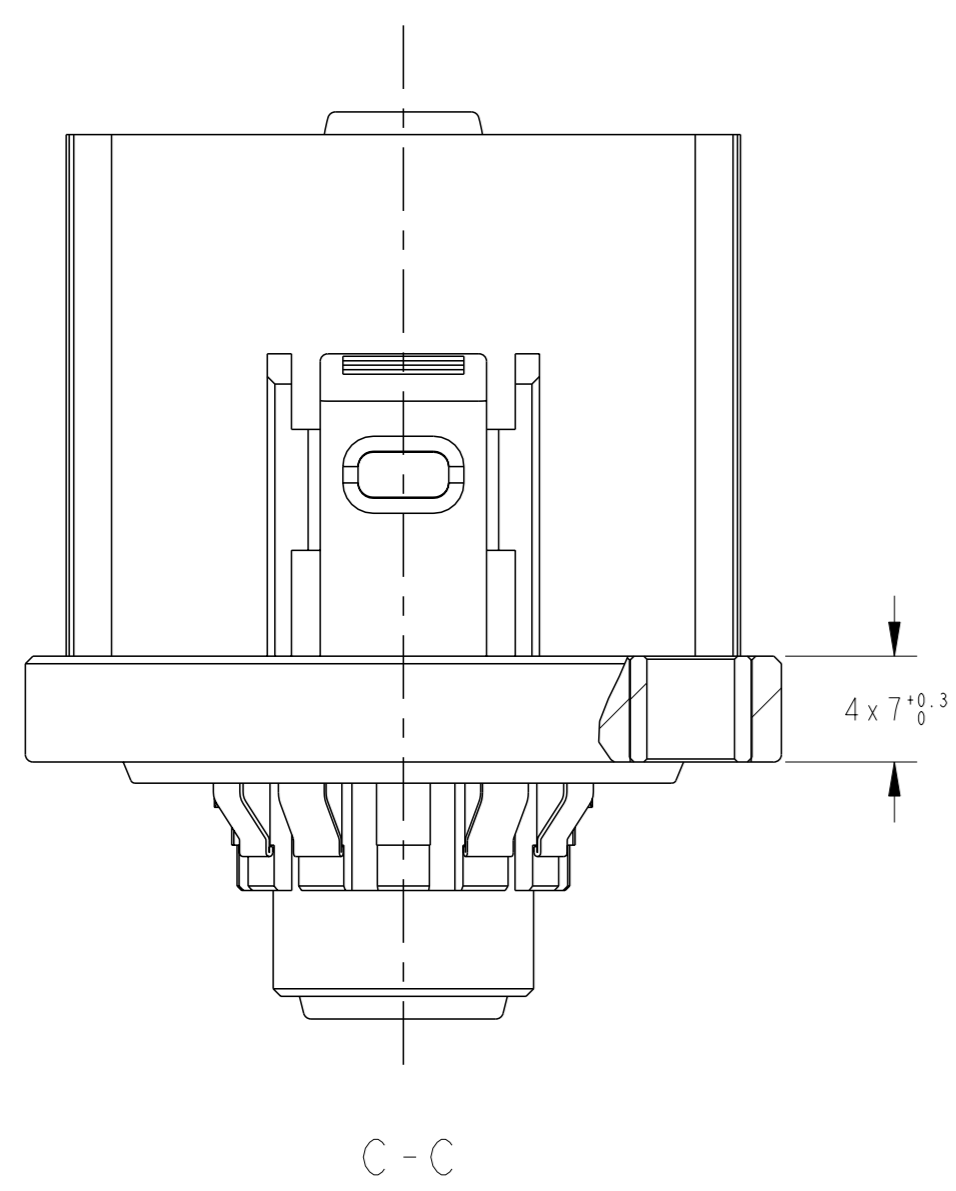
LOC	DIST	REVISIONS			
P	LYR	DESCRIPTION	DATE	OWN	APVD
C2		REVISED ECO-17-016624	06DEC17	DD	E.J
C3		REVISED ECO-18-016296	15DEC2018	DD	E.J
C4		SEAL ADD A NEW MATERIAL AND COLOR	19FEB2024	A.L	E.J
D		BUSHING LOCALIZATION IN CHINA	18JUL2024	A.L	E.J



SCALE 3:2

NOTES

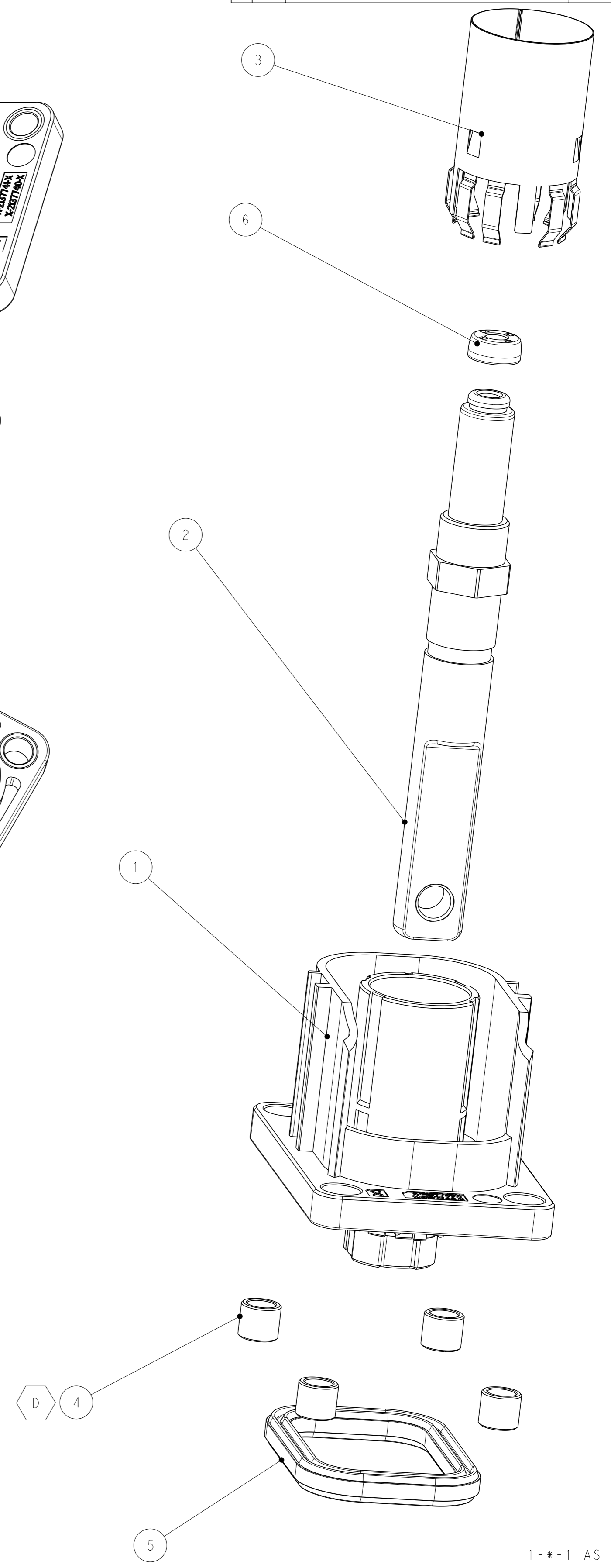
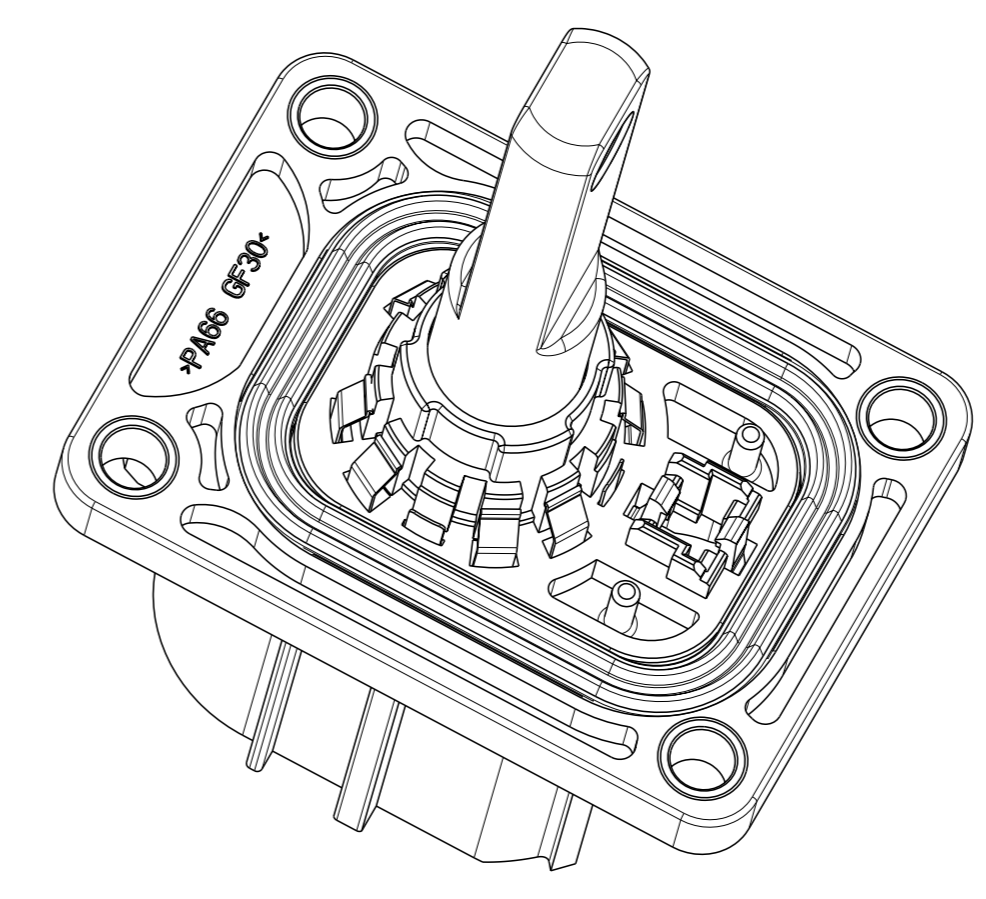
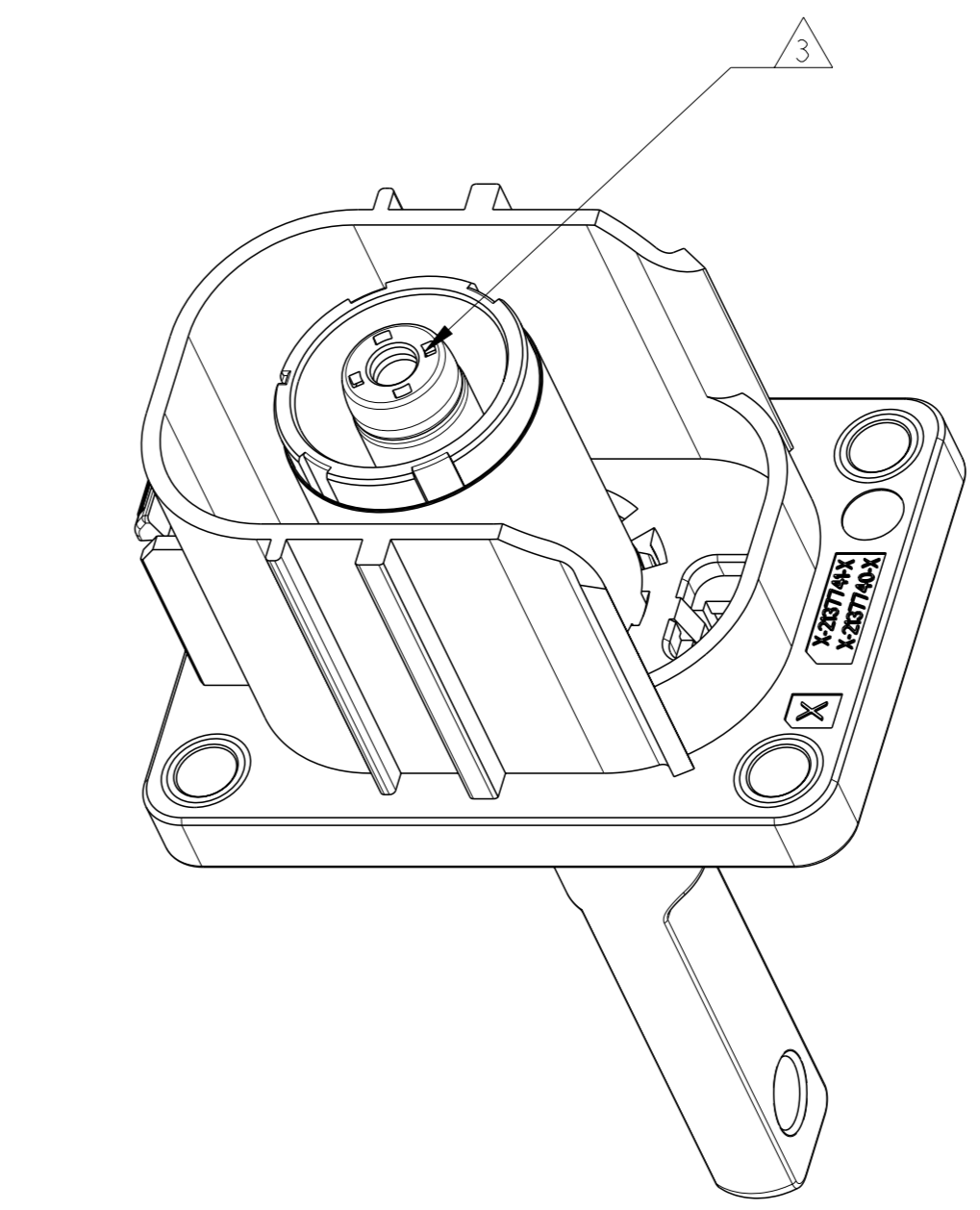
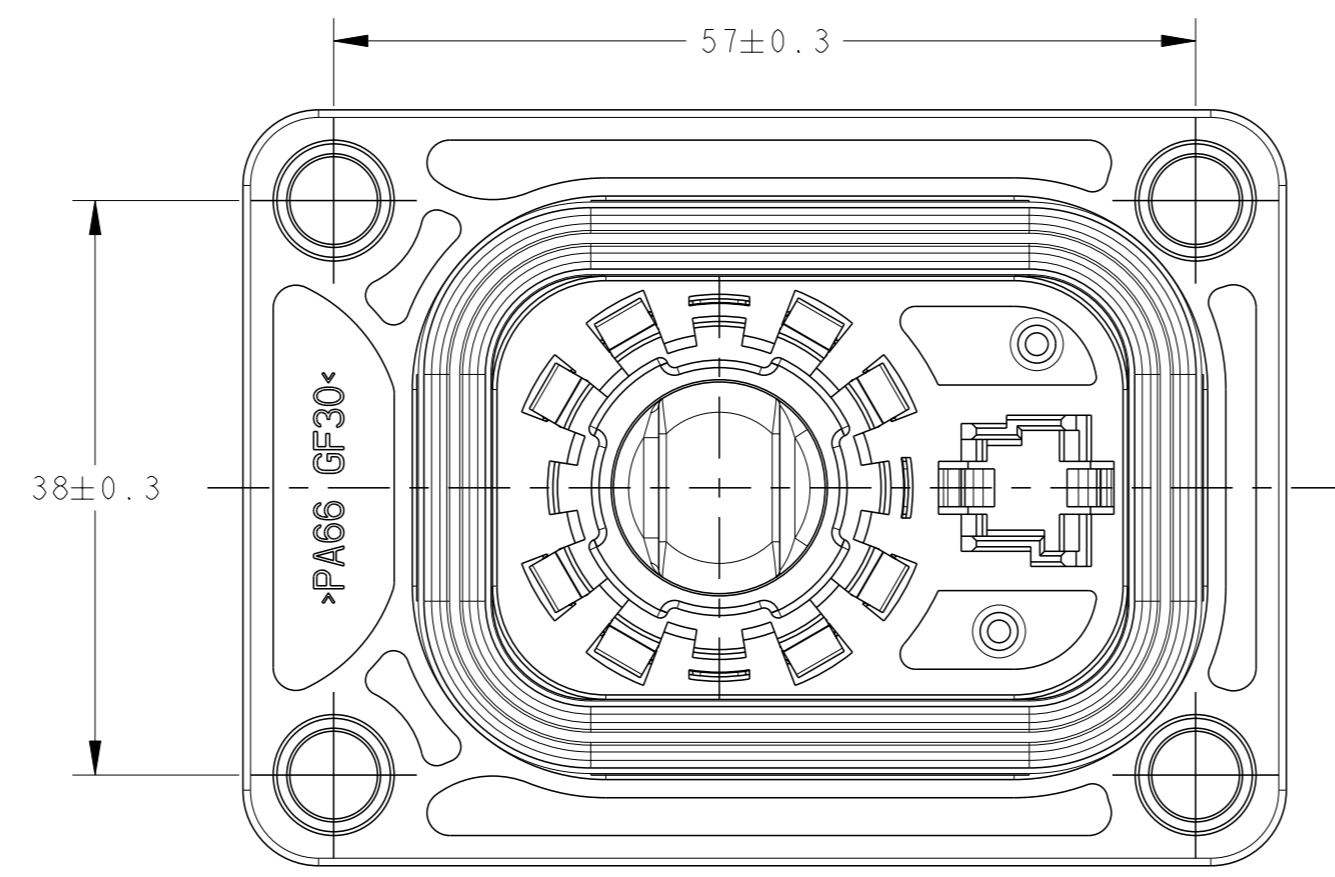
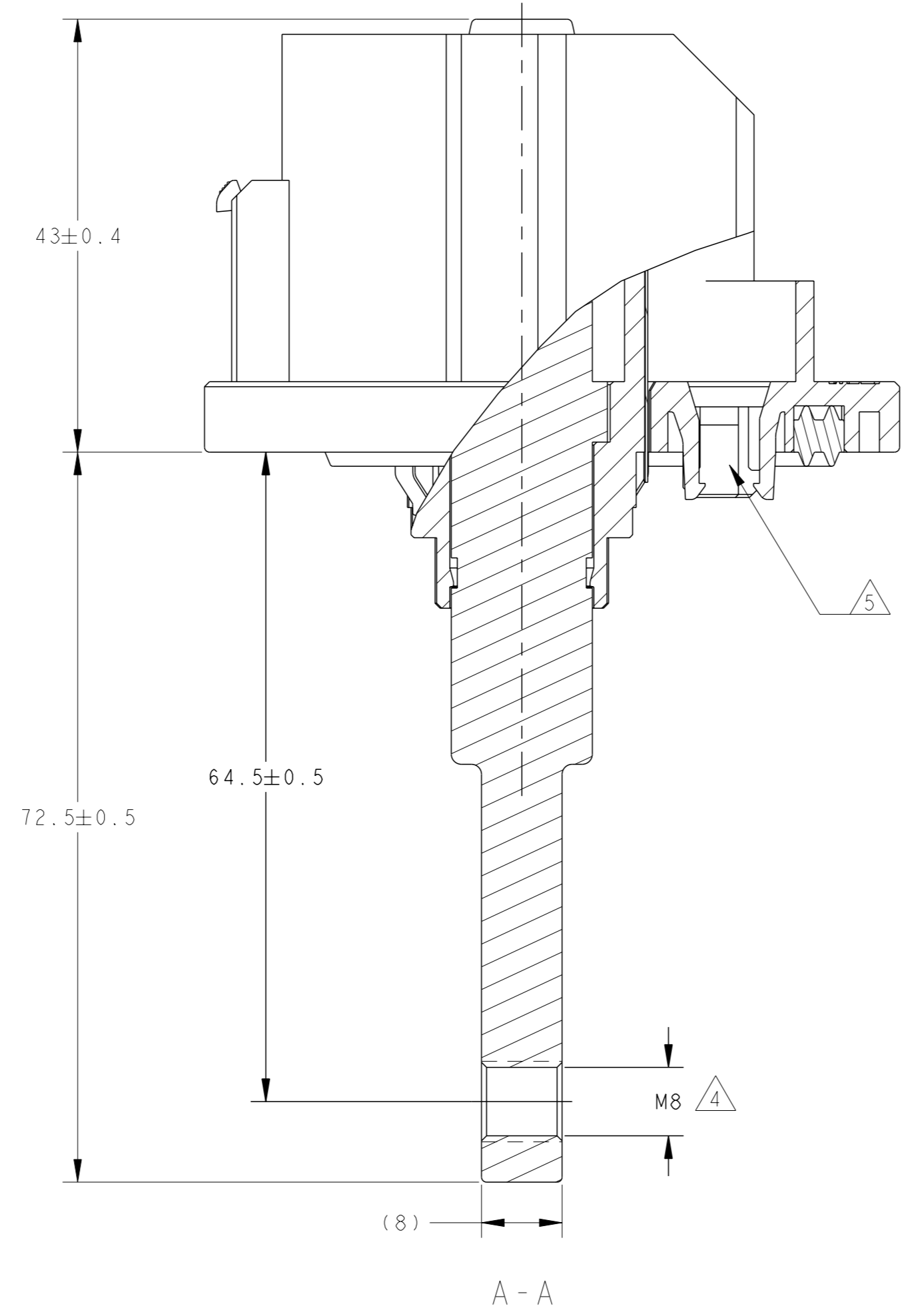
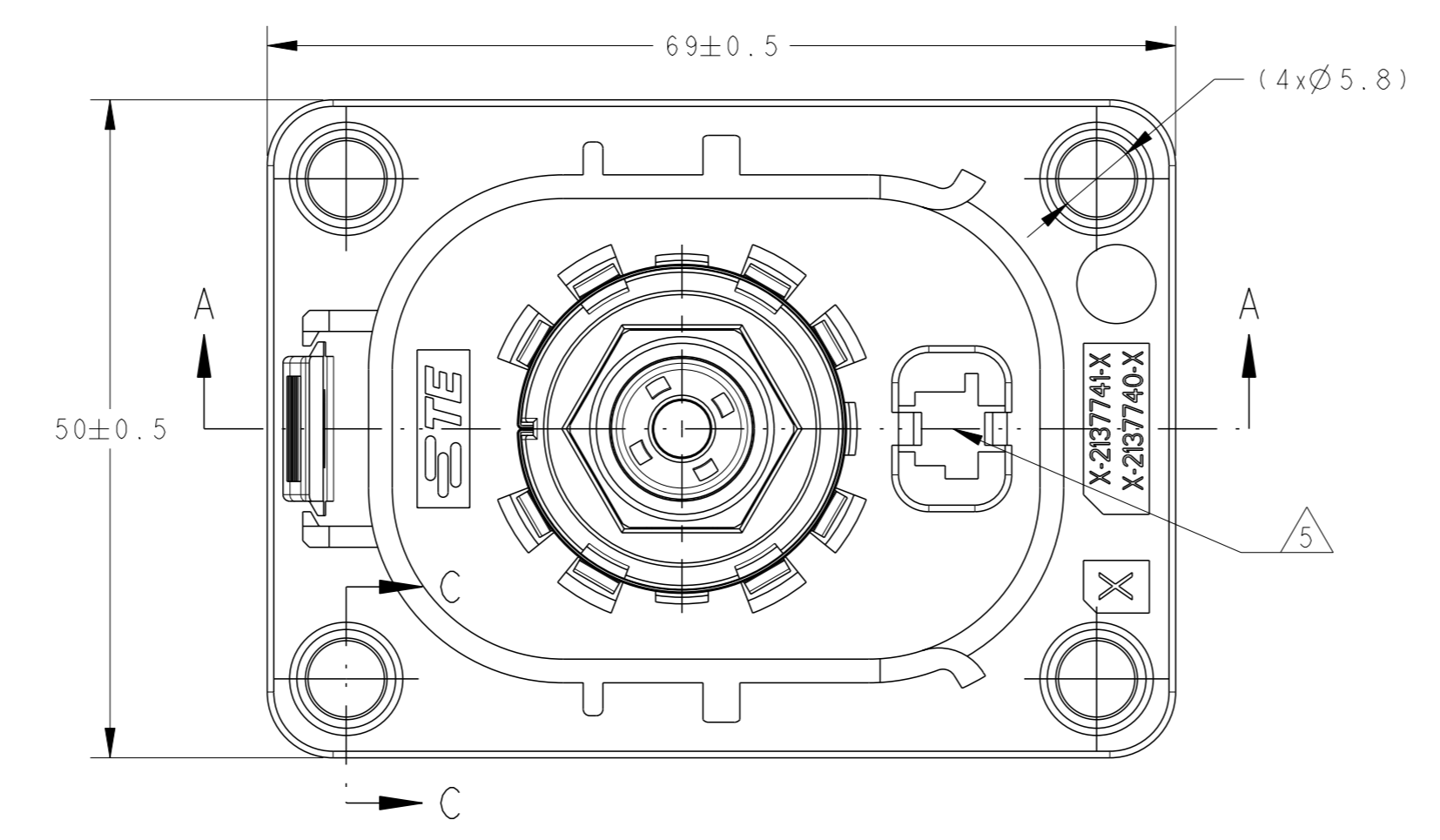
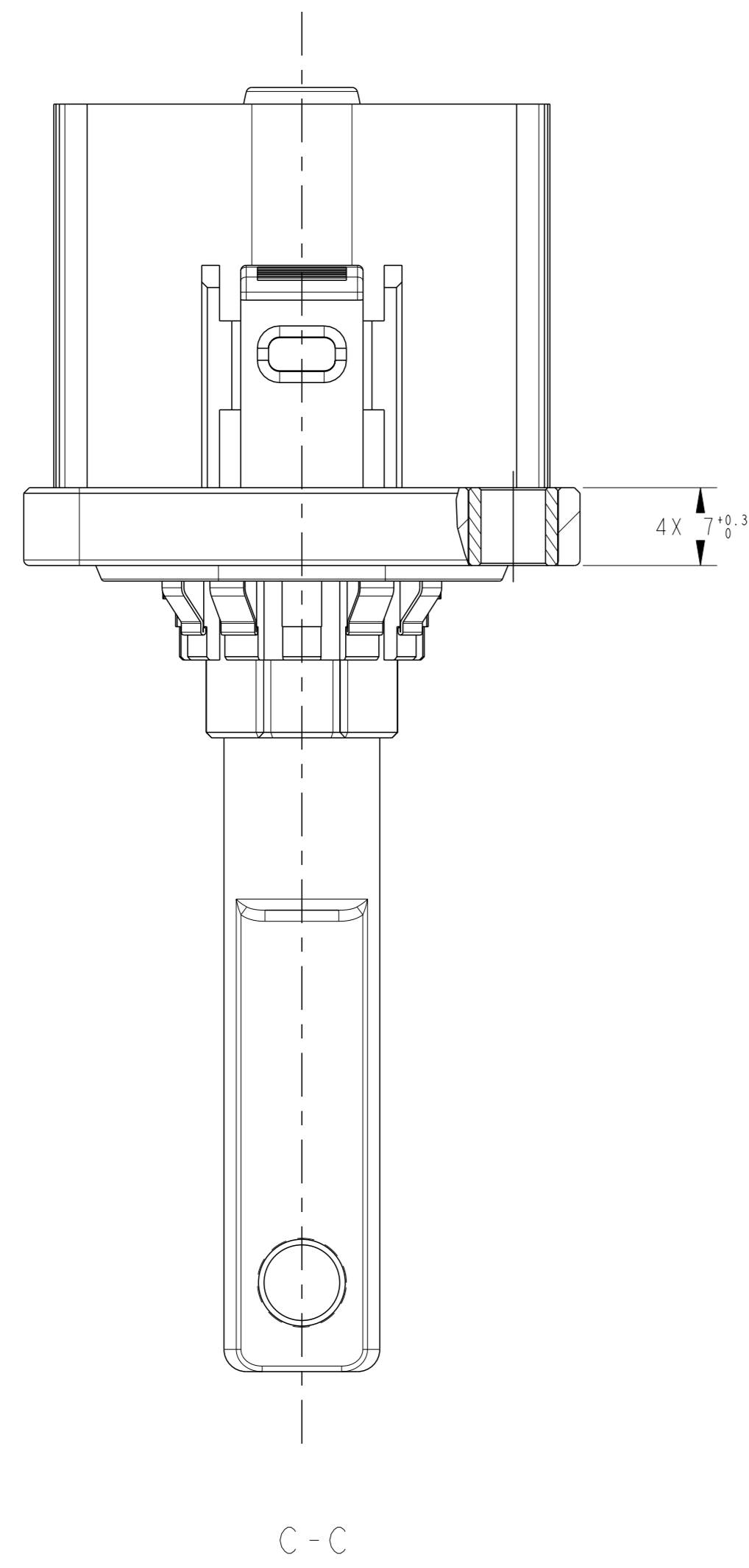
1. FINAL TEST: VISUAL INSPECTION FOR COMPLETENESS
2. LAYER PACKING WITH CORRUGATED
3. MUST MEET TOUCH SAFE REQUIREMENT PER IEC 60529
4. RECOMMENDED TIGHTENING TORQUE OF THE SCREW: M8=10±1NM.
5. USABLE 2P MOS SOCKET HOUSING P/N:1-1718333-1
6. CODING AREA
7. MIN SEALING AREA AROUND, NO BURR, TOOLING PARTING, SHRINKAGE PERMITTED, SURFACE QUALITY: R_a<=0.8um
8. VO MAIRKING ONLY FOR VO PART,P/N:3-2137740-*



(0)-*-1
3-*1 AS SHOWN.

THIS DRAWING IS A CONTROLLED DOCUMENT.		OWN E. WANG	08NOV11	STE TE Connectivity
DIMENSIONS:		CHK N. ZHOU	08NOV11	
mm	TOLERANCES UNLESS OTHERWISE SPECIFIED:	APVD K. ODA	08NOV11	NAME HVP1100 1POS HEADER ASSY
Ø	0-ALC ±0.3	PRODUCT SPEC		SIZE 108-101010
	1-PLC ±0.5	APPLICATION SPEC		RESTRICTED TO
	2-PLC ±0.3			SCALE A1 00779C=2137740
	3-PLC ±0.013			SHEET 1 OF 5
	4-BEC ±0.0001			REV D
	ANGLES ±1°			
MATERIAL	FINISH	WEIGHT		

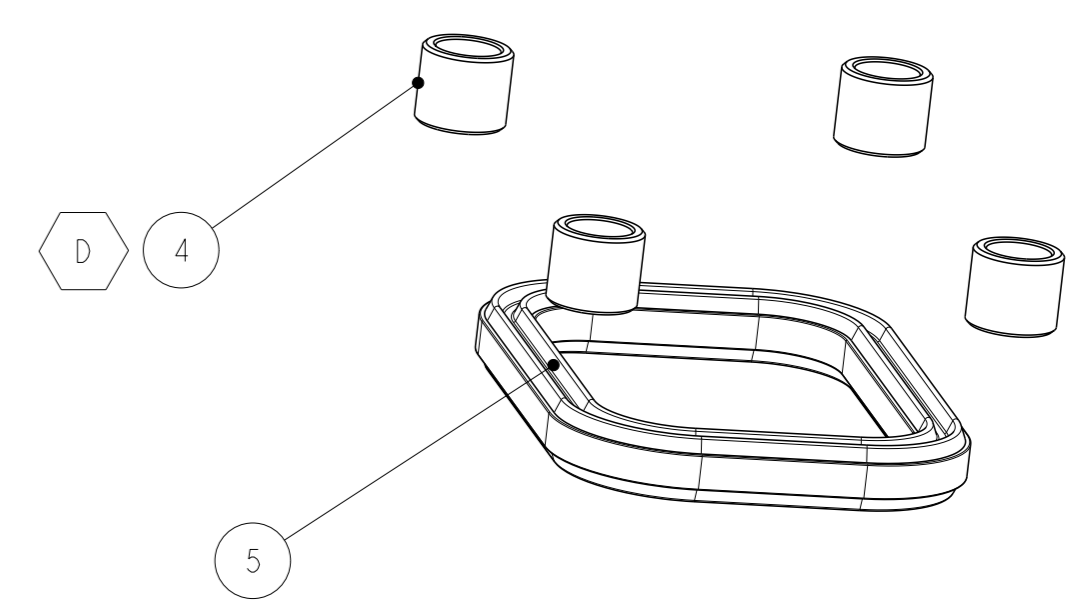
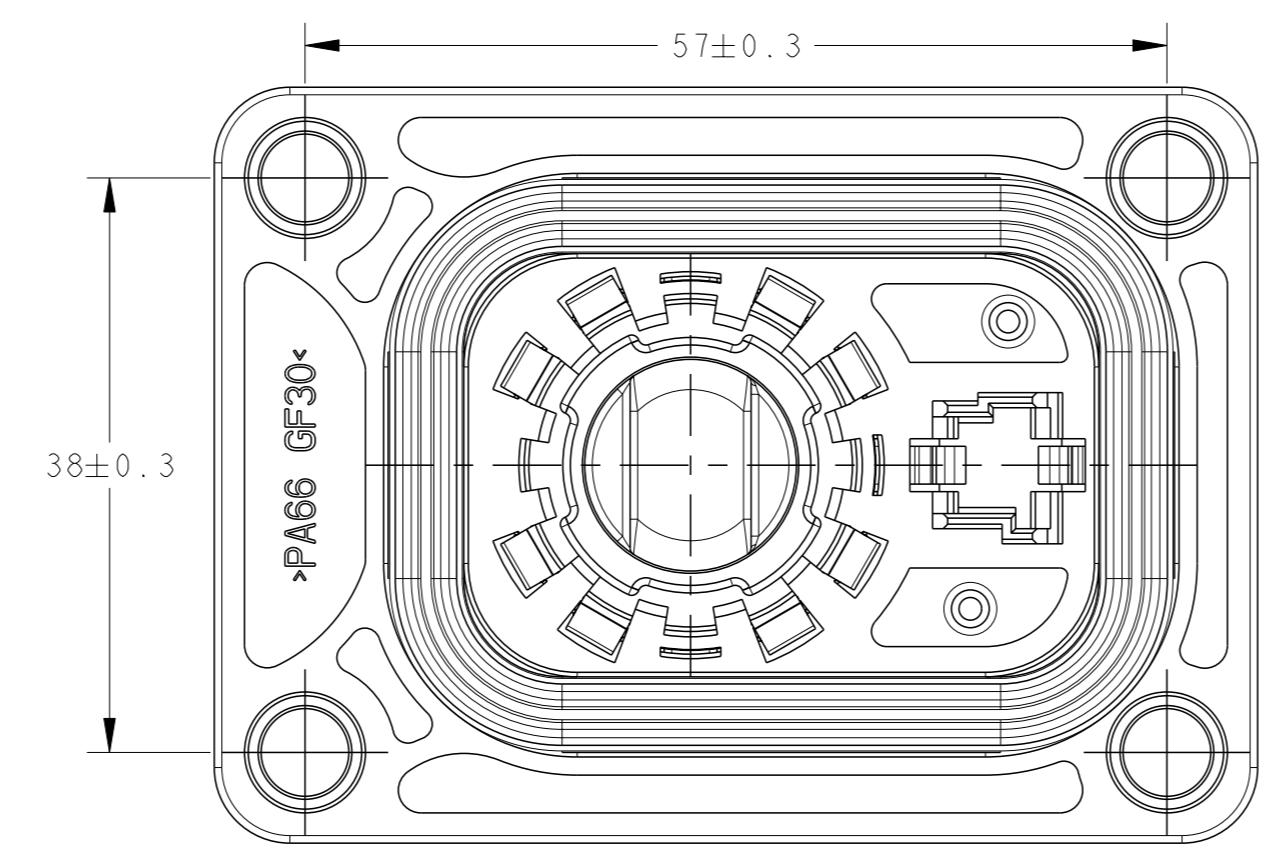
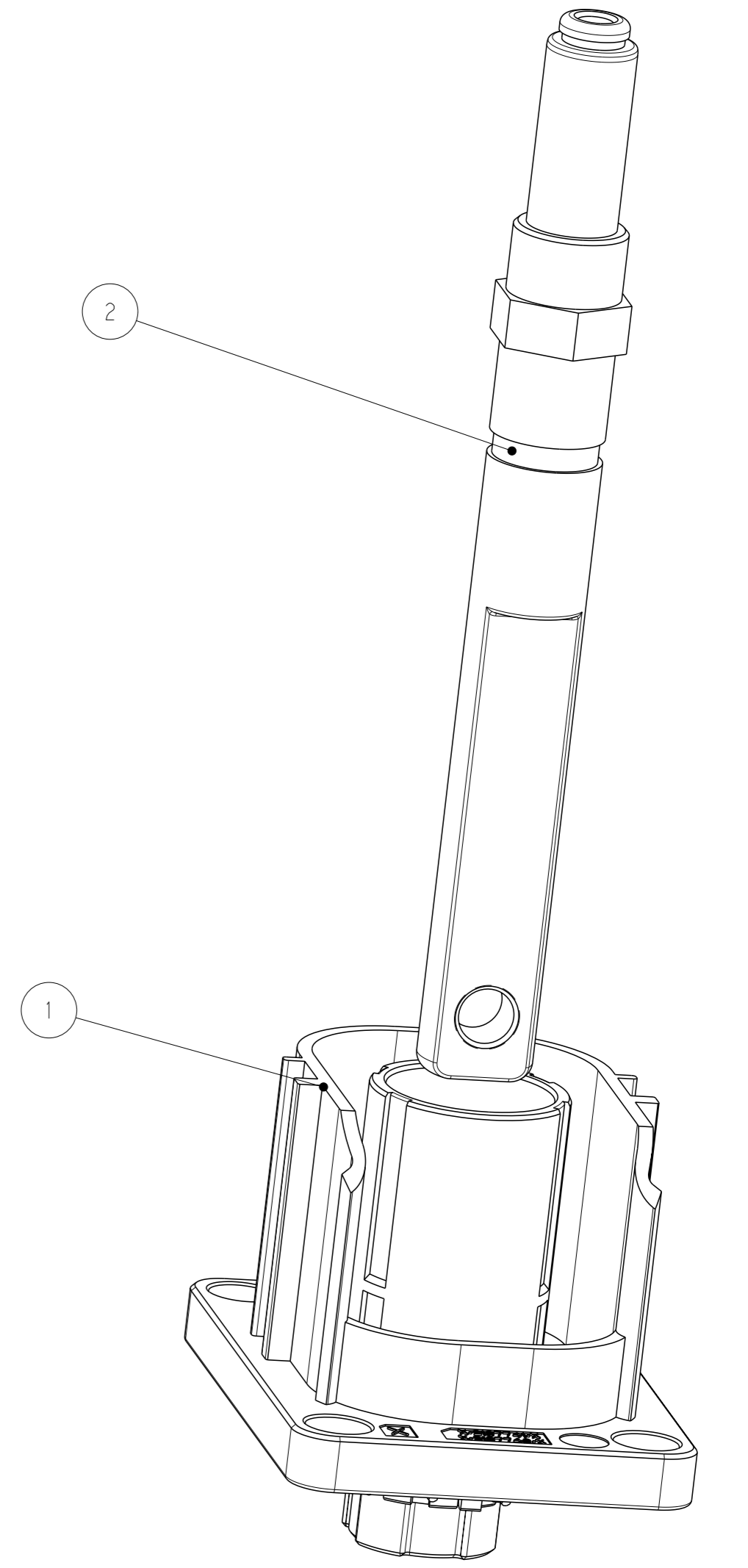
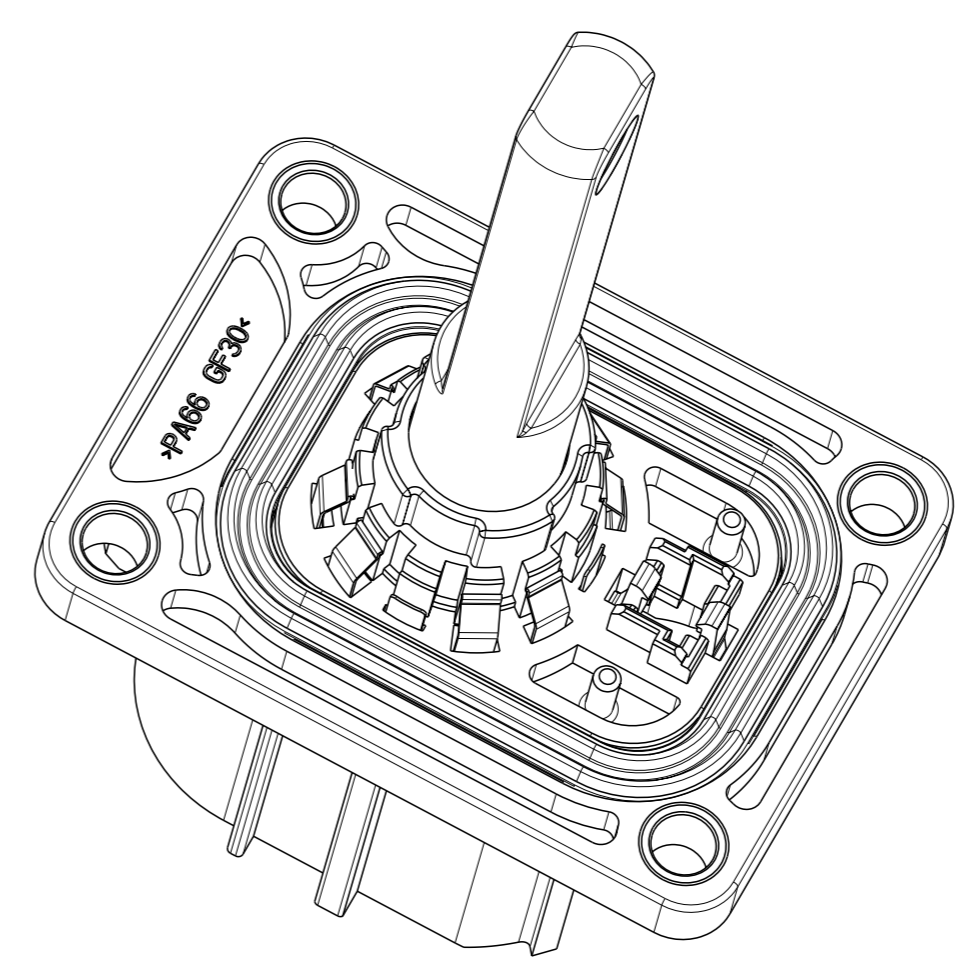
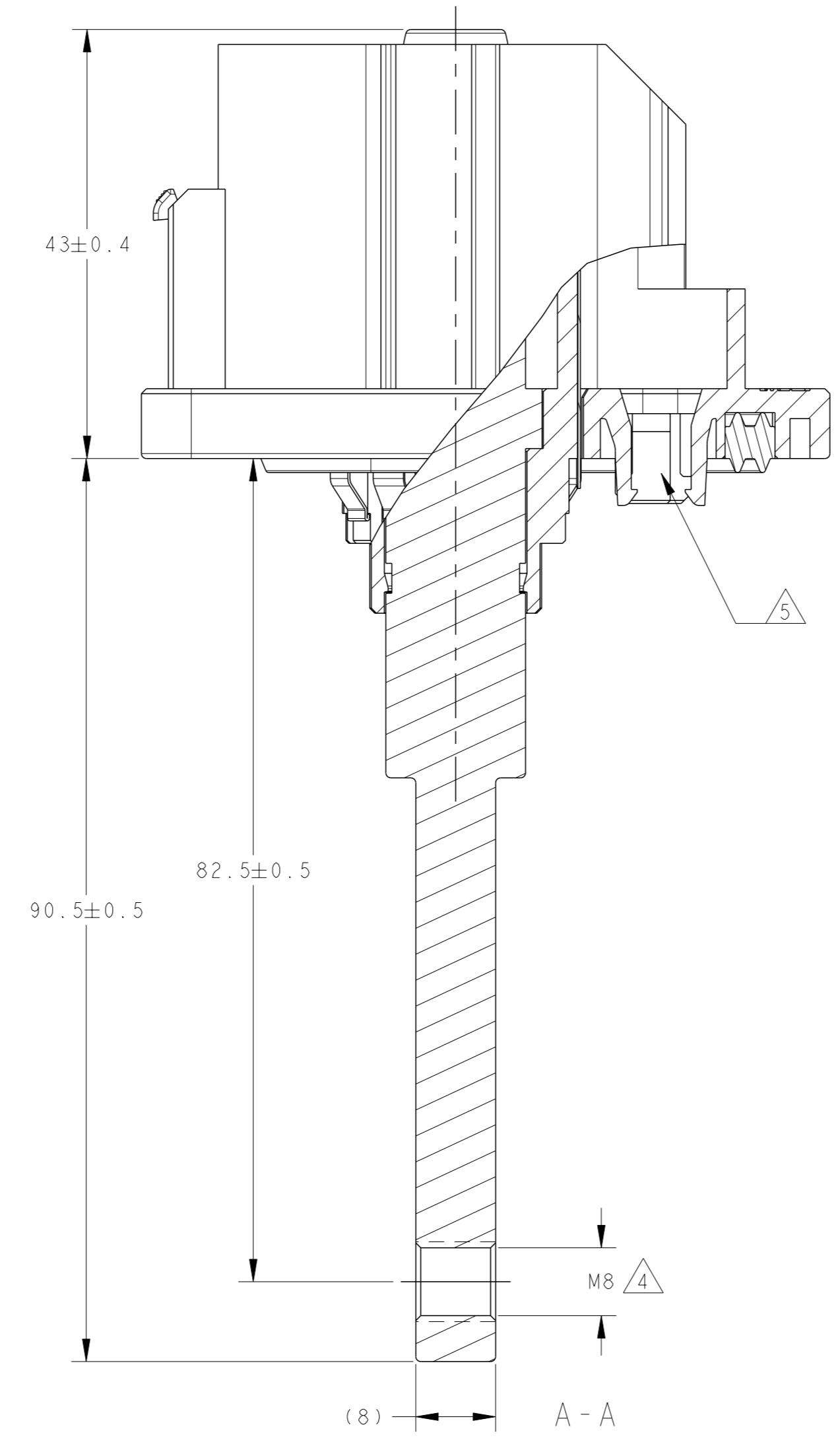
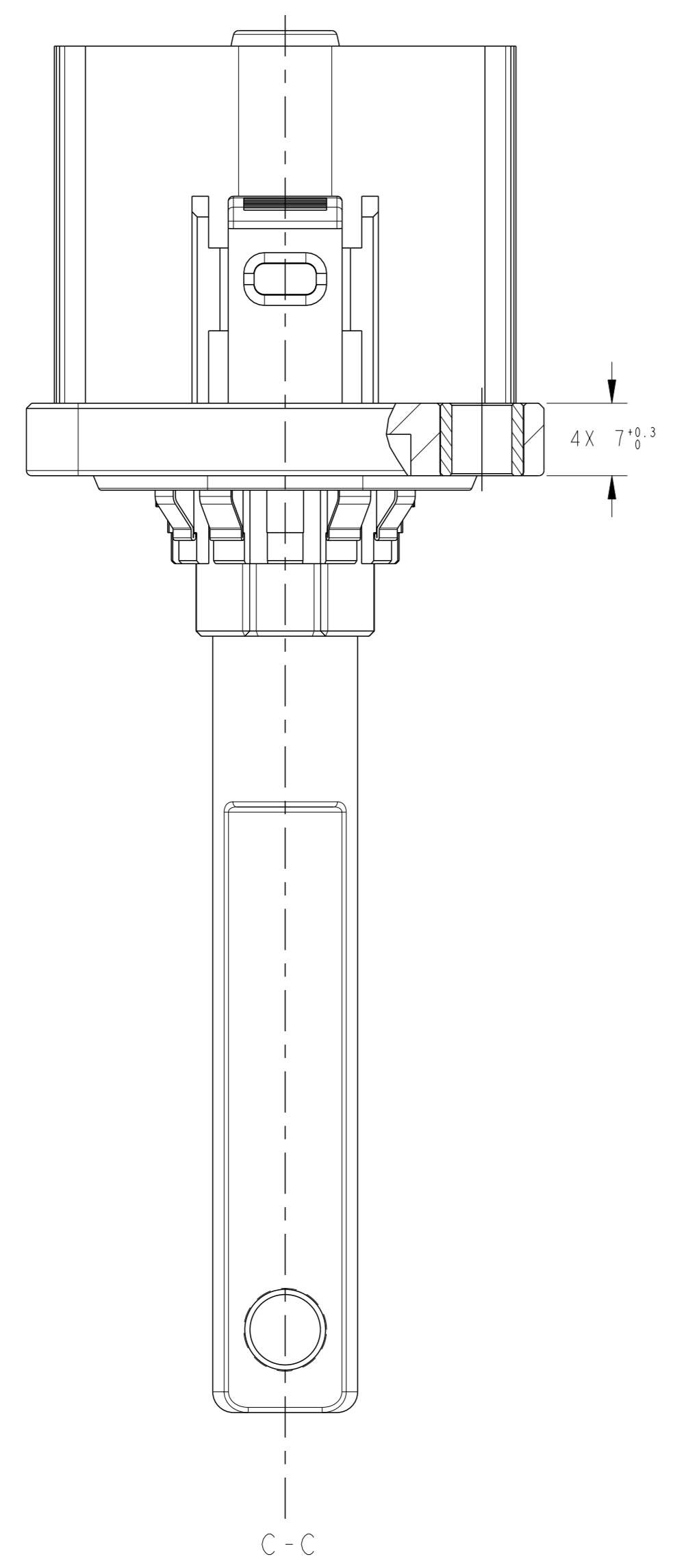
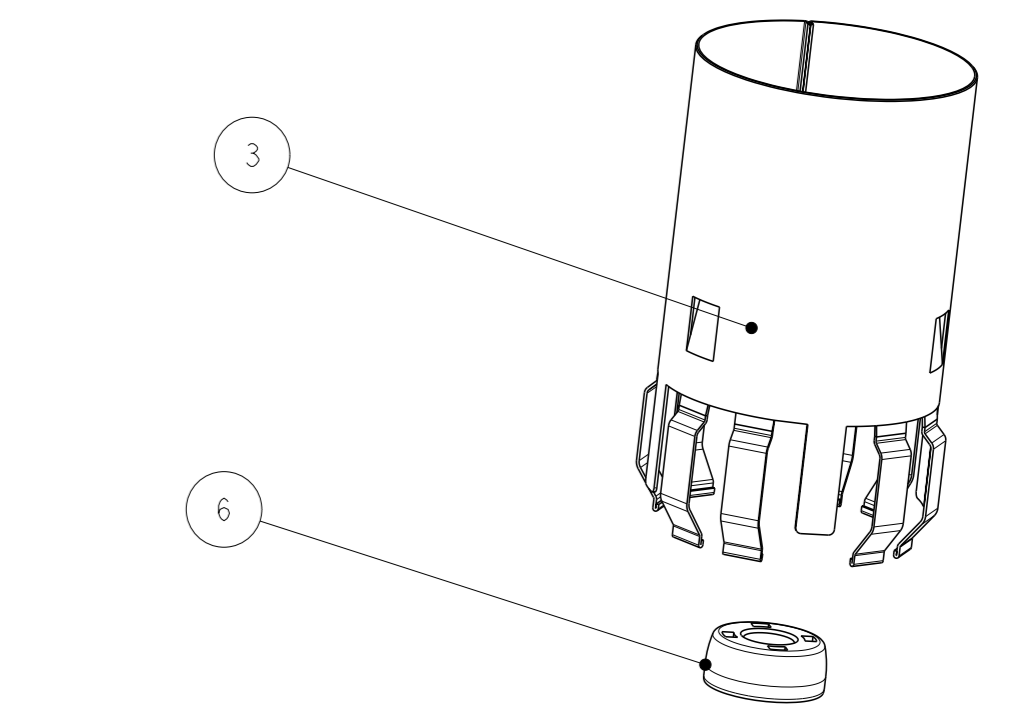
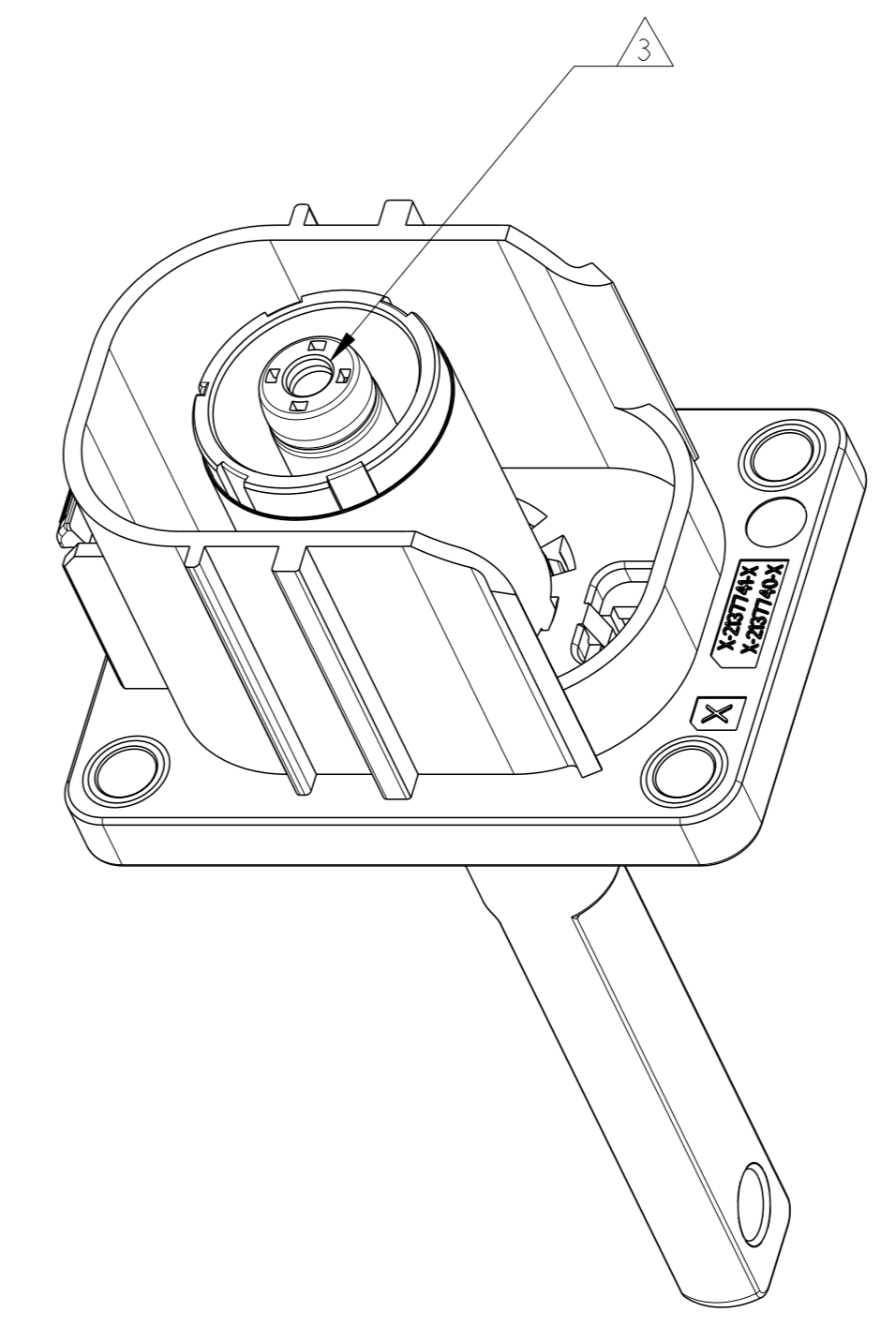
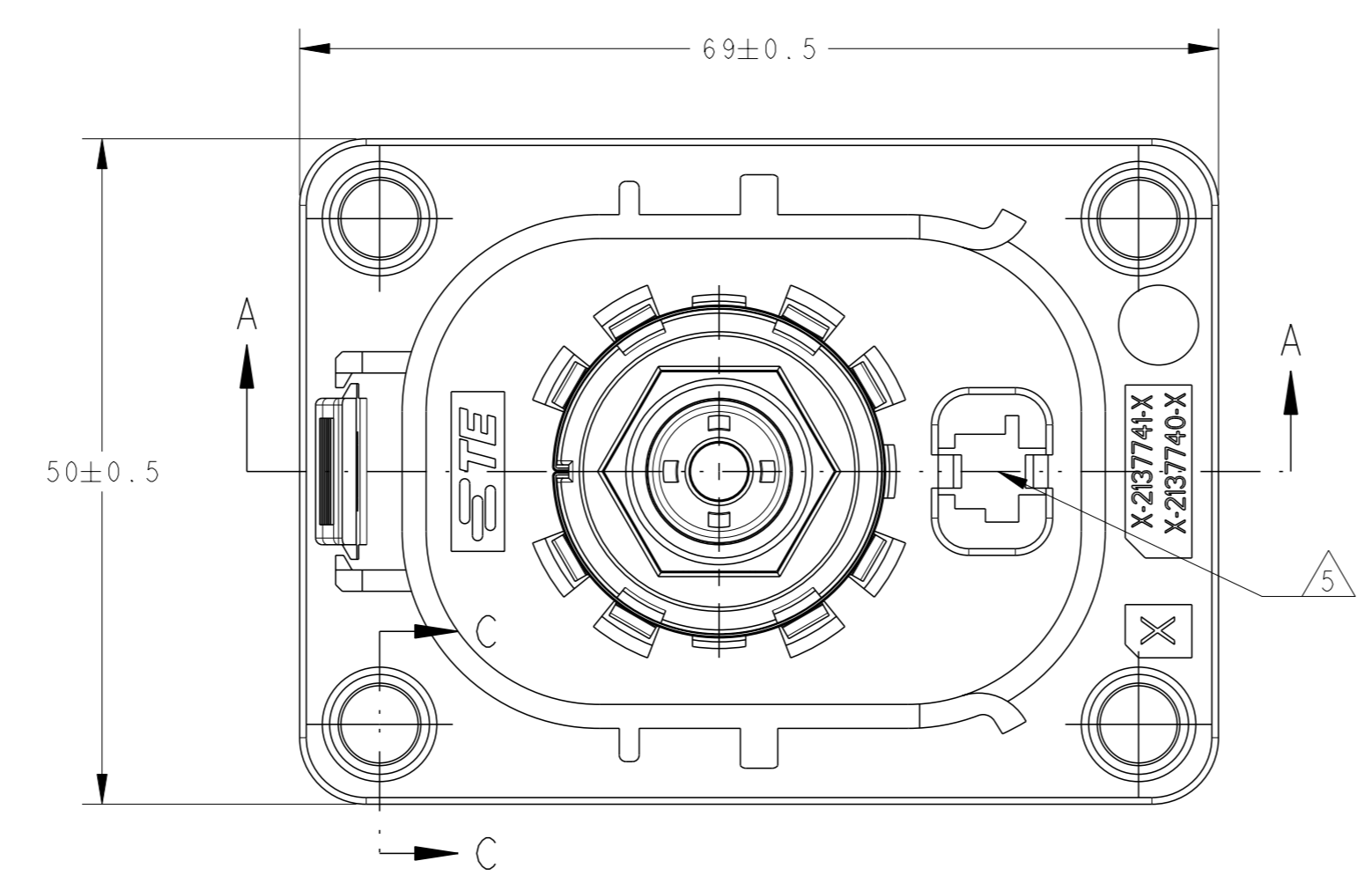
LOC	DIST	REVISIONS			
P	LYR	DESCRIPTION	DATE	OWN	APVD
-	-	SEE SHEET 1	-	-	-
-	-				



THIS DRAWING IS A CONTROLLED DOCUMENT.		OWN	E. WANG	08NOV11	TE Connectivity
DIMENSIONS:		CHK	N. ZHOU	08NOV11	
mm	TOLERANCES UNLESS OTHERWISE SPECIFIED:	APVD	K. ODA	08NOV11	NAME
∅	0-2LC ±0.3	PRODUCT SPEC		108-101010	HVP1100 1POS HEADER ASSY
	1-PLC ±0.5	APPLICATION SPEC		114-101010	SIZE
	2-PLC ±0.3	CUSTOMER DRAWING		A100779C=2137740	CAGE CODE
	3-PLC ±0.001	SCALE		2:1	DRAWING NO
	4-PLC ±0.001*	SHEET		2	OF
	ANGLES ±1°	REV		D	
MATERIAL	FINISH	RESTRICTED TO			

Printed on 29 Aug 2024 16:50 (?????) from TE531150

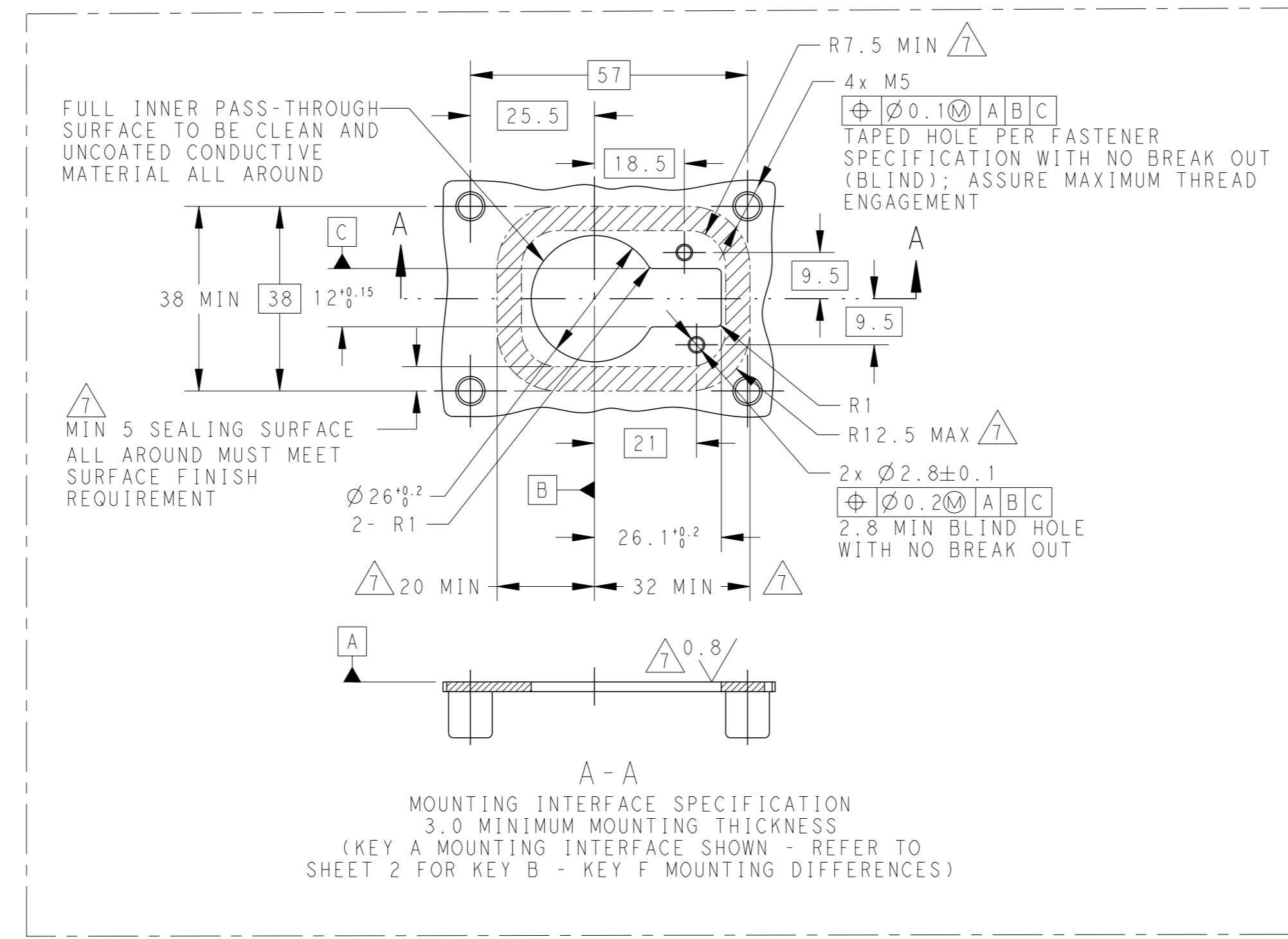
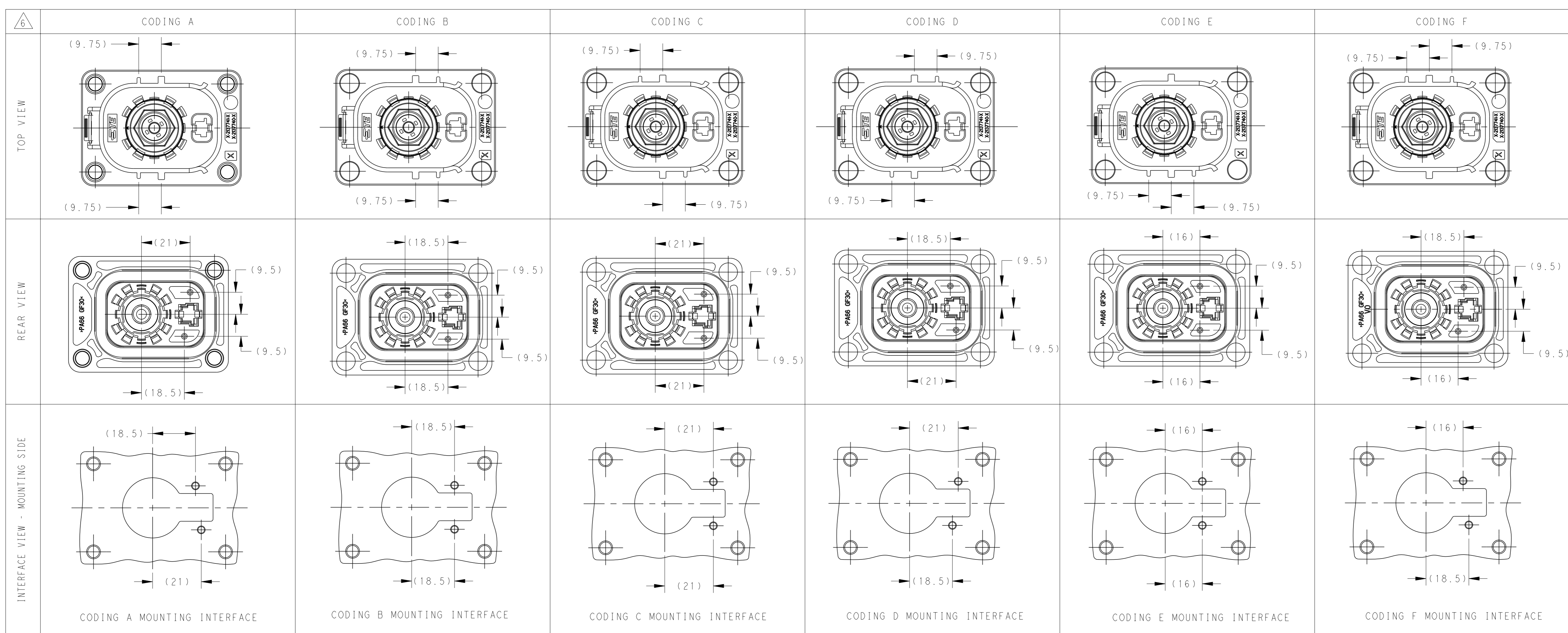
LOC	DIST	REVISIONS			
P	LYR	DESCRIPTION	DATE	OWN	APVD
-	-	SEE SHEET 1	-	-	-



2*-1 AS SHOWN.

THIS DRAWING IS A CONTROLLED DOCUMENT.		OWN E. WANG	08NOV11	STE TE Connectivity
DIMENSIONS: mm		CHK N. ZHOU	08NOV11	
TOLERANCES UNLESS OTHERWISE SPECIFIED:		APVD K. ODA	08NOV11	NAME HVP1100 1POS HEADER ASSY
0-2LC	±0.3	PRODUCT SPEC		SIZE 108-101010
1-PLC	±0.5	APPLICATION SPEC		RESTRICTED TO
2-PLC	±0.013	114-101010		SCALE 2:1
3-PLC	±0.013	WEIGHT		SHEET 3
4-PLC	±0.0001	CUSTOMER DRAWING		OF 5
ANGLES	±1°	A1 00779C=2137740		REV D
FINISH				

LOC		DIST		REVISIONS			
P	LYR	DESCRIPTION	DATE	OWN	APVD		
-	-	SEE SHEET 1	-	-	-		



THIS DRAWING IS A CONTROLLED DOCUMENT.		OWN: E. WANG	08NOV11		TE Connectivity
DIMENSIONS: mm		CHK: N. ZHOU	08NOV11		NAME: HVP1100 1POS HEADER ASSY
TOLERANCES UNLESS OTHERWISE SPECIFIED: ±0.3		APVD: K. ODA	08NOV11	SIZE: -	CAGE CODE: -
0-2LC ±0.5		PRODUCT SPEC: 108-101010		RESTRICTED TO:	
1-PLC ±0.5		APPLICATION SPEC: 114-101010		SCALE: 2:1	SHEET 4 OF 5
2-PLC ±0.013		WEIGHT: A100779C=2137740		REV: D	
3-PLC ±0.013		CUSTOMER DRAWING			
4-PLC ±0.0001					
ANGLES ±1°					
FINISH					

