

THIS DRAWING IS UNPUBLISHED.

RELEASED FOR PUBLICATION

20

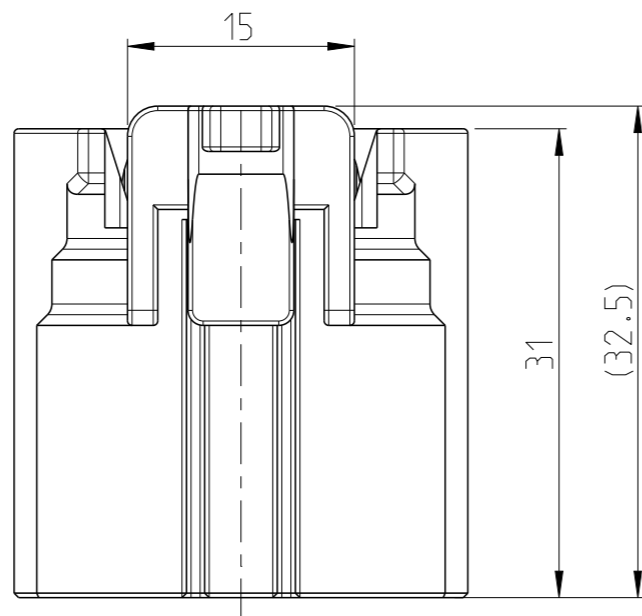
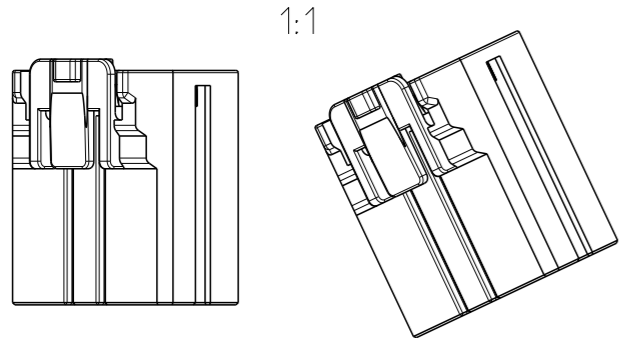
© COPYRIGHT 2012 BY TE CONNECTIVITY

ALL RIGHTS RESERVED.

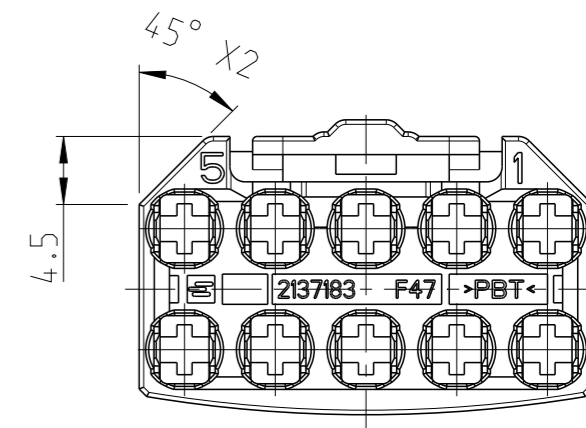
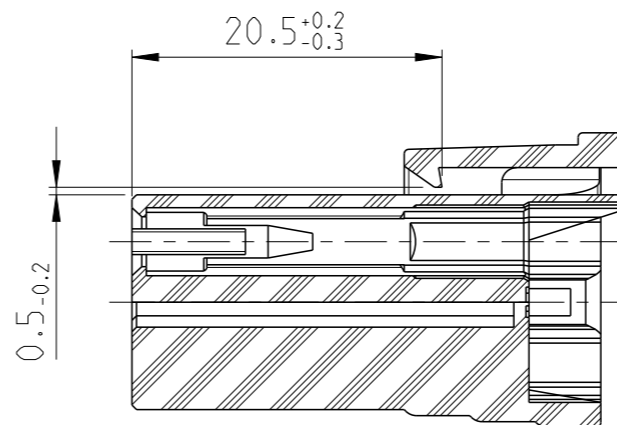
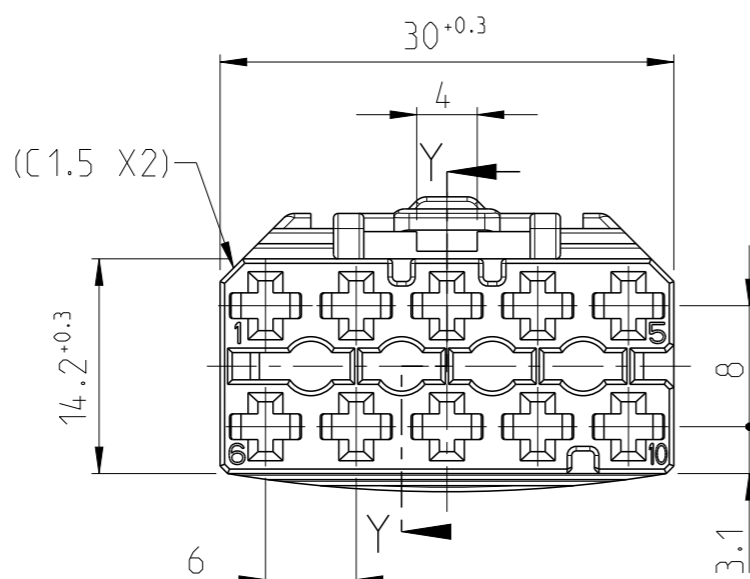
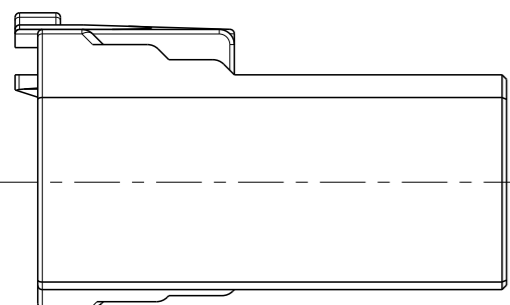
LOC ES DIST 00

REVISIONS

P	LTR	DESCRIPTION	DATE	DWN	APVD
A1	ECR-12-003300		07MAR12	E.C	Y.Y
B	ECR-20-008931		05NOV2020	J.L	J.Z
B1	ECN-22-143668		10MAR2022	D.M	J.Z
B2	ECN-24-271680		20JUN24	W.H	J.Z

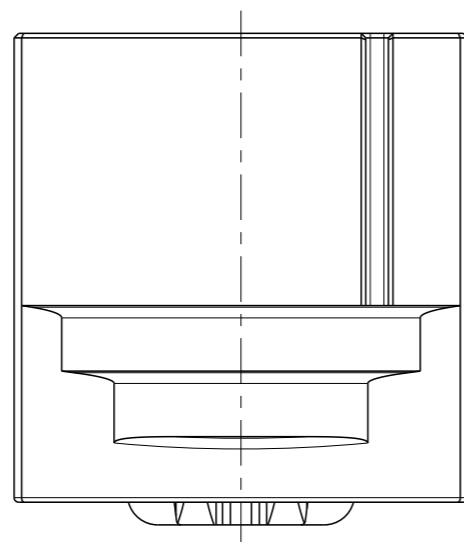


CODING A NATURAL COLOR 2137183-1	CODING B BLUE COLOR 2137183-2	CODING C YELLOW COLOR 2137183-3	CODING D GRAY COLOR 2137183-4



NOTE:
 1.WARPAGE 0.3 MAX
 SHRINKAGE 0.3 MAX
 2.SUITABLE TERMINALS TYPE: MCP2.8
 SUITABLE TERMINALS PART NO REFER TO DRAWING 1355036
 EXAMPLE:2141857,968849,968851 ETC.
 3.INTERFACE DRAWING: 114-160302

...-1 AS SHOWN



THIS DRAWING IS A CONTROLLED DOCUMENT.		DWN Y.YANG 17JAN2011	STE TE Connectivity	
		CHK I.YIN 11FEB2011		
DIMENSIONS: mm		APVD I.YIN 11FEB2011	NAME 10Pos MCP2.8 PLUG HSG	
TOLERANCES UNLESS OTHERWISE SPECIFIED:		PRODUCT SPEC	-	
0 PLC ±0.3		APPLICATION SPEC	-	
1 PLC ±0.2		WEIGHT	-	
2 PLC ±0.2		SIZE A3	CAGE CODE 00779	DRAWING NO C-2137183
3 PLC ±		RESTRICTED TO		
4 PLC ±		SCALE 1:1 SHEET 1 OF 1 REV B2		
ANGLES ±2°		CUSTOMER DRAWING		
FINISH -				