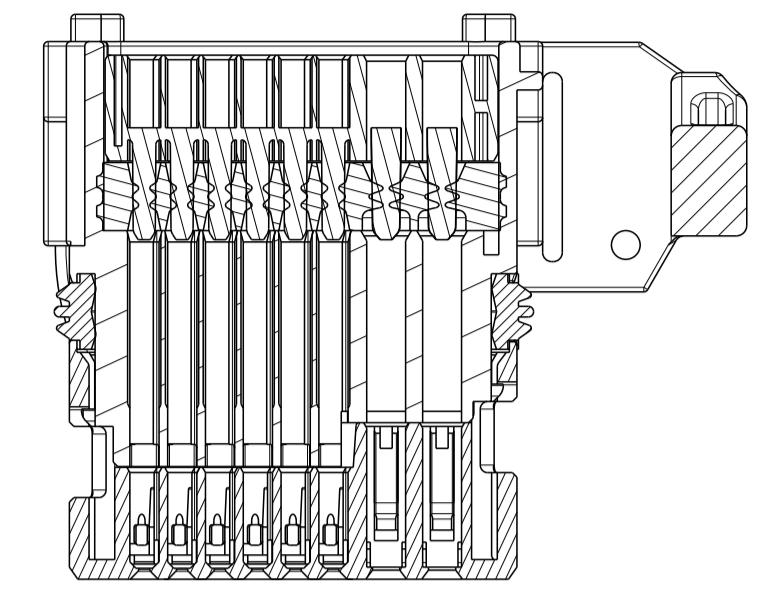
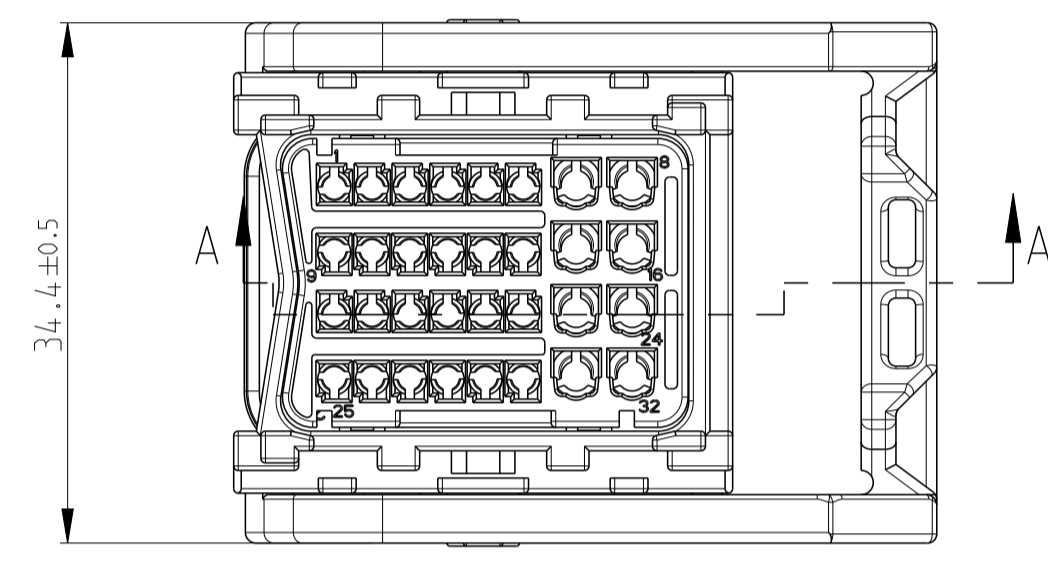


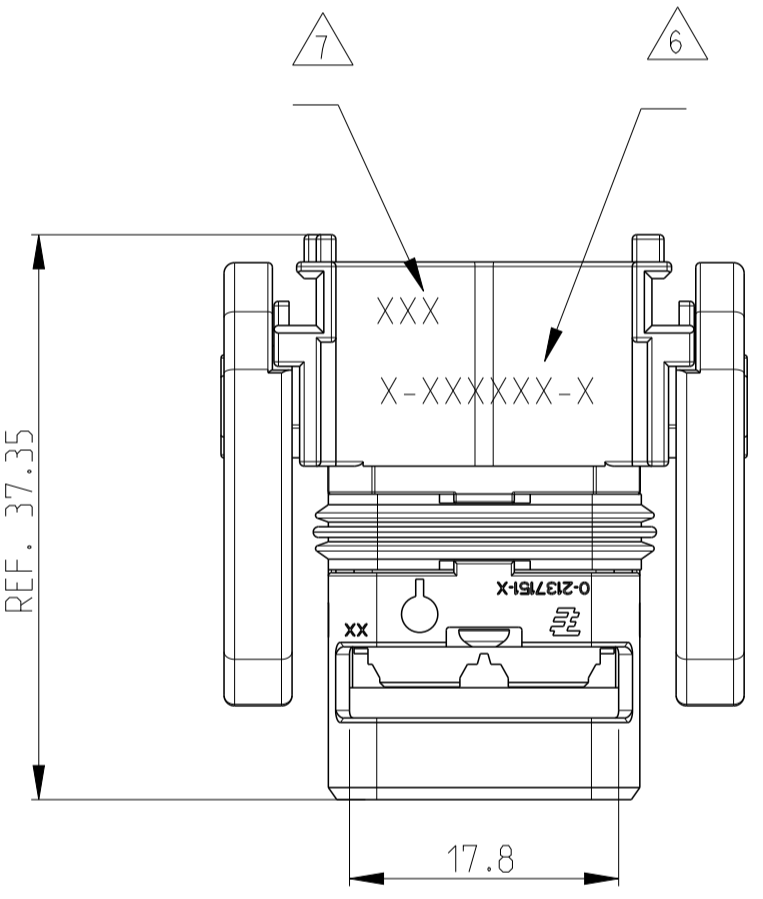
VIEW WITH COVER, LEVER IN END LOCK POSITION. THE COVER IS SEPARATE SALES PART.



A-A

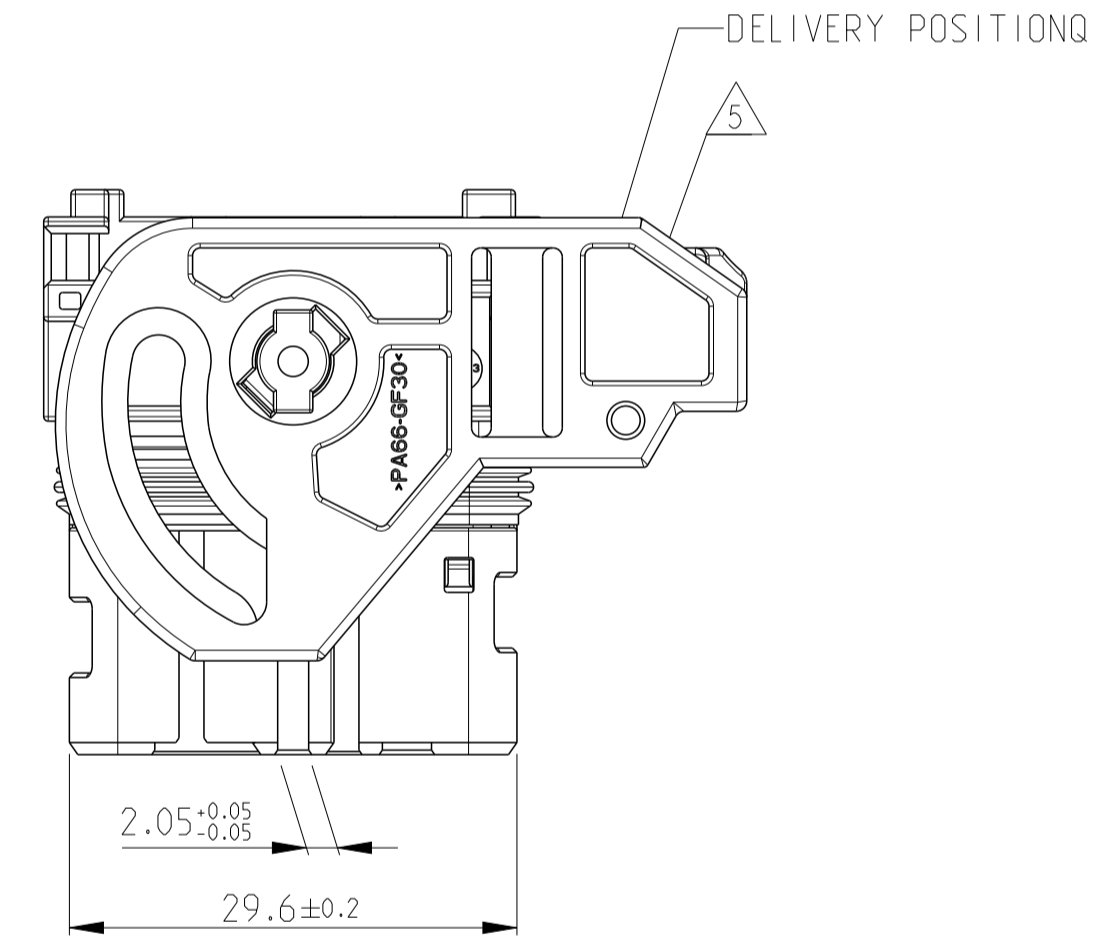


34.4±0.5



REF. 37.35

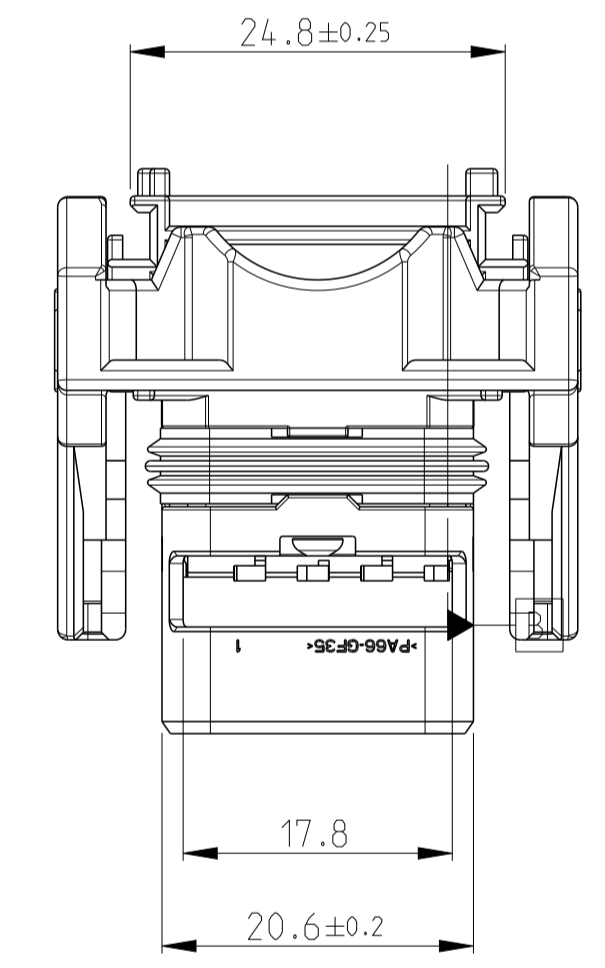
17.8



DELIVERY POSITION

2.05±0.05

29.6±0.2



24.8±0.25

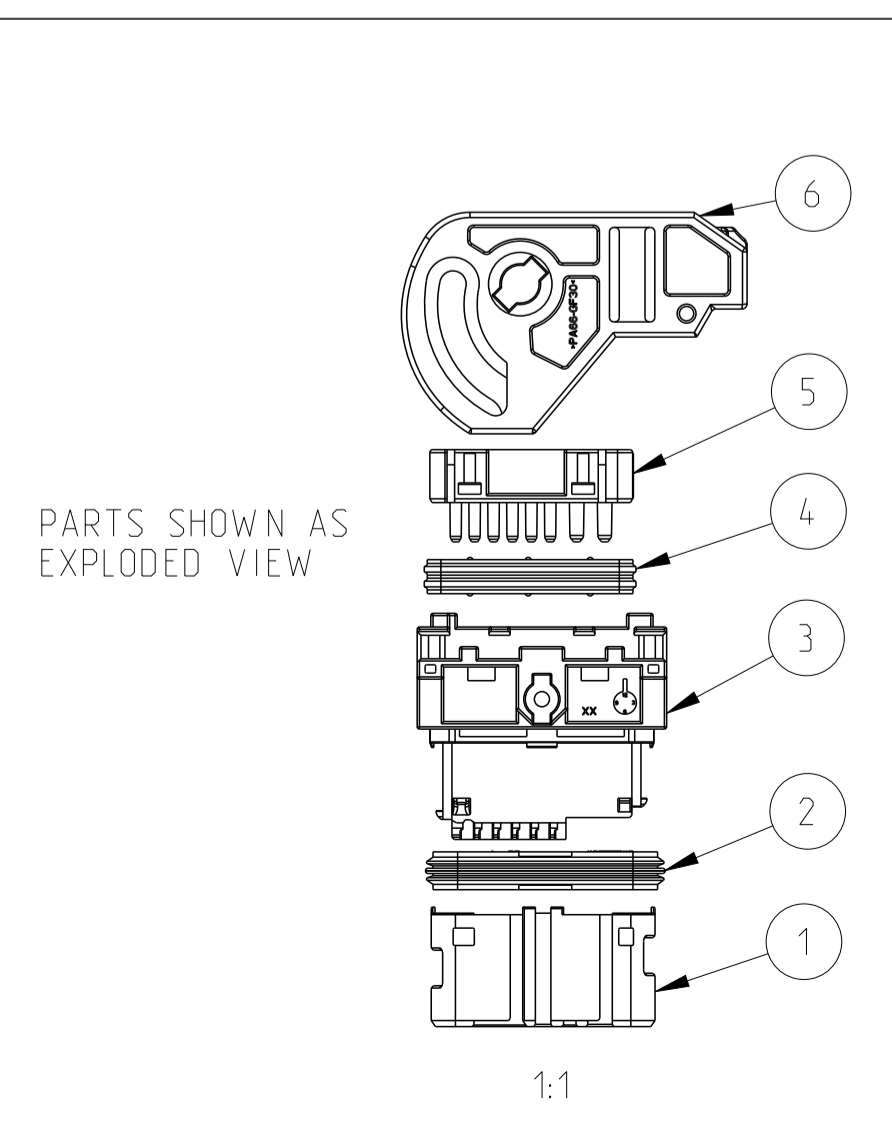
17.8

20.6±0.2

NOTES:

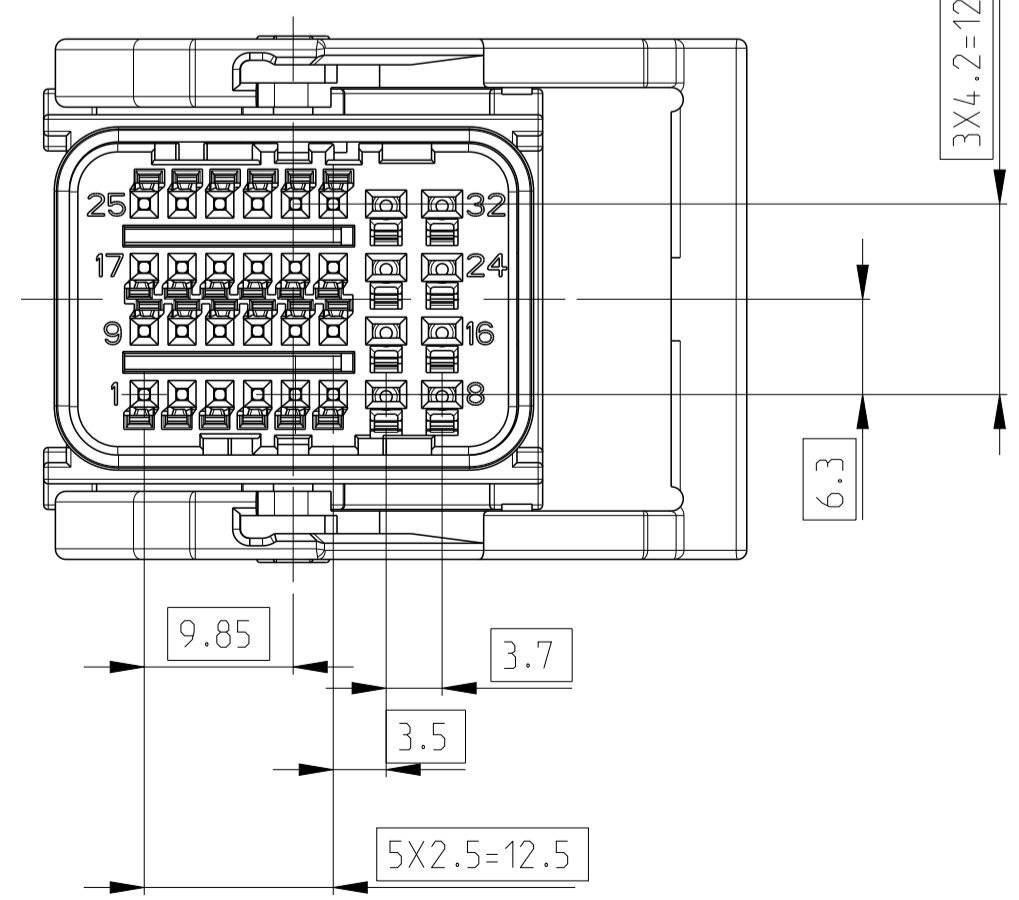
1. PARTS MUST CONFORM TO USCAR 2, REV. 4
2. CONNECTOR MATING / UNMATING FORCES MAX. 75N
3. SEALING FUNCTION REQUIRES ONLY FOLLOWING WIRE SIZE DIAMETERS FOR THE TERMINALS
4. MATED WITH:
COVER 0-2137149-1
2-NDRY LOCK 0-2050989-2
2-NDRY LOCK 0-2050013-1
5. LEVER IN PRE-LOCK POSITION
6. MARKING WITH TYCO ELECTRONICS PN. (OPTIONAL) SEE PINOUTCONFIGURATION ON DRAWING 2137298
7. A THREE DIGIT MARKING ACCORDING TABLE ON DRAWING 2137298 LOCATED ON SIDE OF THE FEMALE HOUSING (OPTIONAL)
8. INTERFACE SPECIFICATION: 114-18761
9. SPECIAL TERMINAL PERFORMANCE SEE RELEVANT SPEC.

APPLICATION TERMINALS					
T0.64	1355900	X-968220-X	0.35	Ø1.2 - 1.3	BLIND PLUG 1394871-1
		X-968221-X	0.5 - 0.75	Ø1.4 - 1.9	
T1.5	2050986	2050986-3/9	0.5-0.75	Ø1.7 - Ø1.9	BLIND PLUG 1670108-1
	638652	638652-2	0.5 - 1.00	Ø1.4 - 2.1	
		638652-1	1.0 - 1.5	Ø1.9 - 2.4	
TERMINALS	REFER TO DRAWING	TE PN	WIRE SIZE (mm ²)	WIRE SIZE DIAMETER	NOTES



PARTS SHOWN AS EXPLODED VIEW

1:1



PIN-OUT CONFIGURATION SEE DRAWING 2137298

9.85

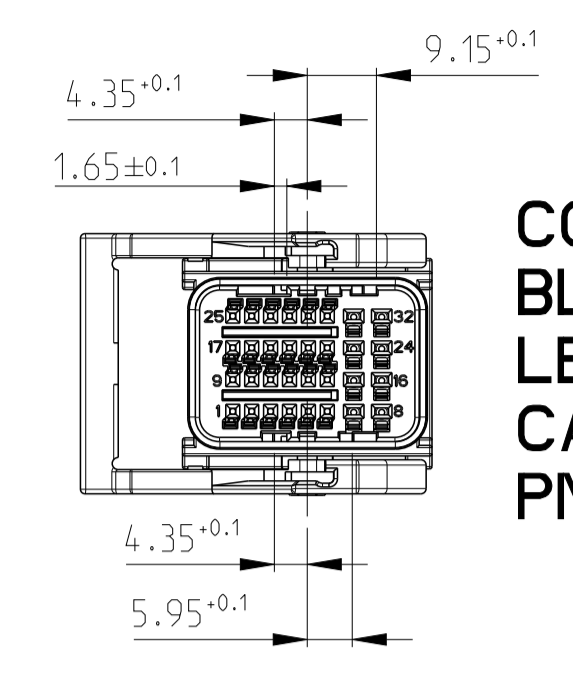
3.7

3.5

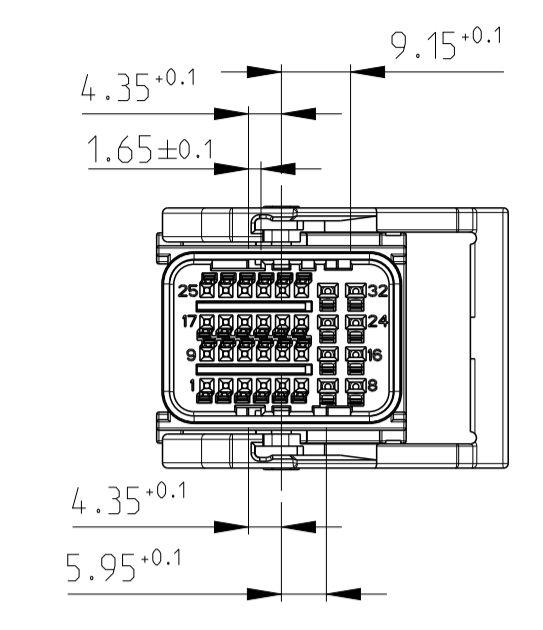
5X2.5=12.5

3X4.2=12.6

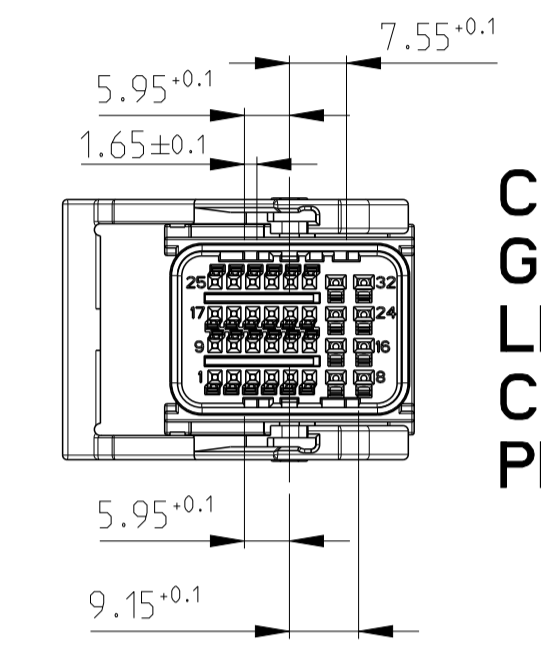
6.3



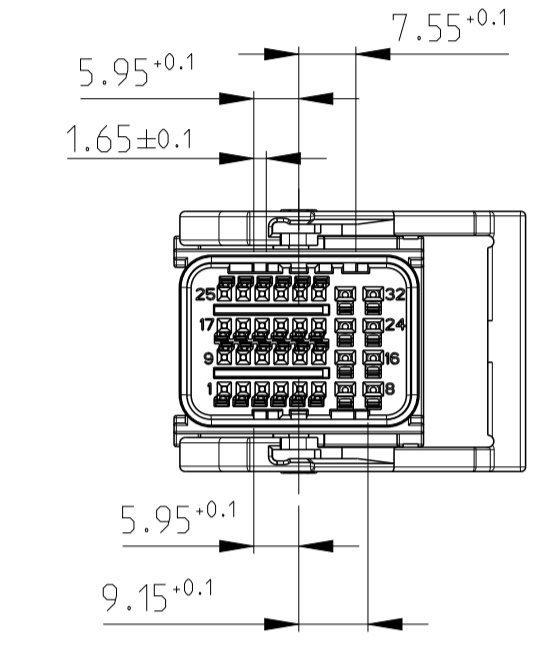
**CODING 1
BLACK
LEVER LEFT
CABLE EXIT RIGHT
PN 2137298**



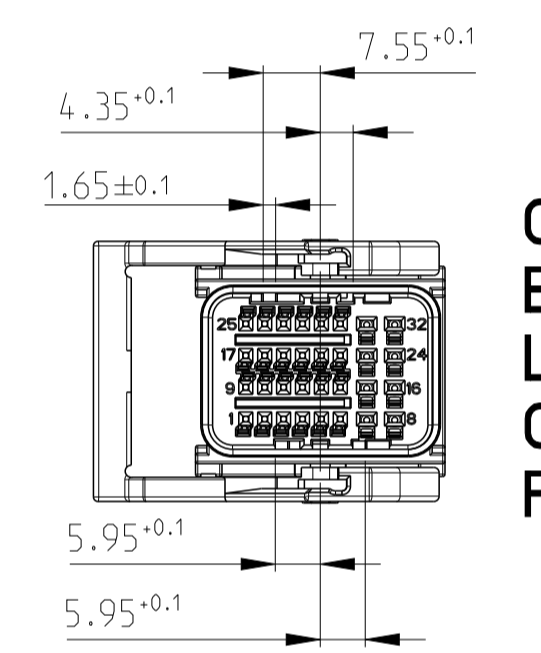
**CODING 1
BLACK
LEVER RIGHT
CABLE EXIT LEFT
PN 2137143**



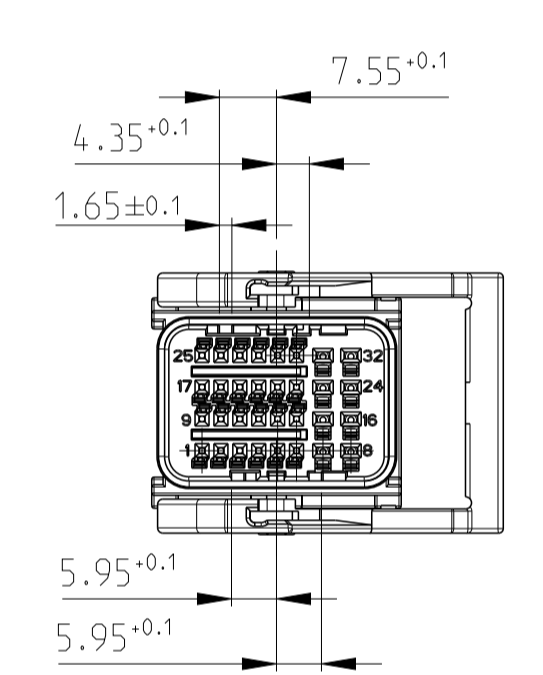
**CODING 2
GREY
LEVER LEFT
CABLE EXIT RIGHT
PN 2137297**



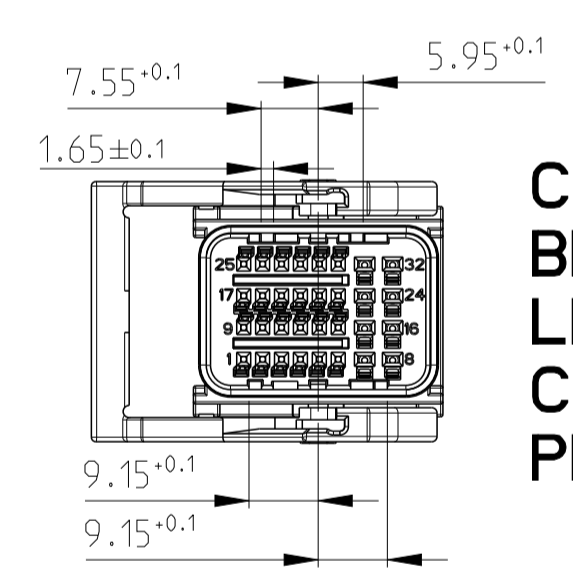
**CODING 2
GREY
LEVER RIGHT
CABLE EXIT LEFT
PN 2137152**



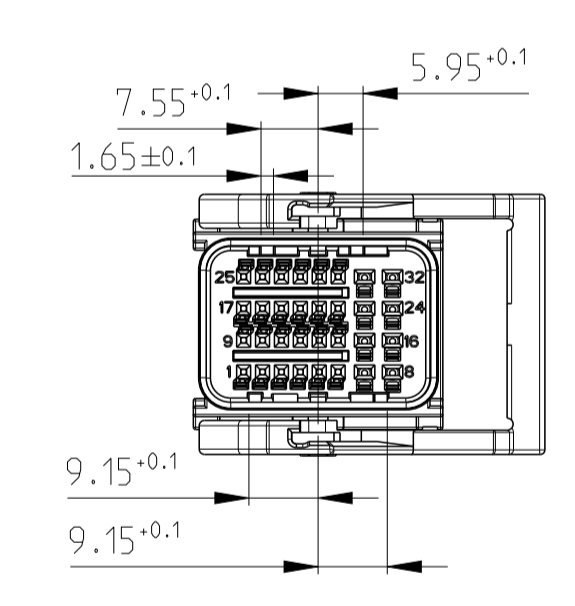
**CODING 5
BLUE
LEVER LEFT
CABLE EXIT RIGHT
PN 2278712**



**CODING 5
BLUE
LEVER RIGHT
CABLE EXIT LEFT
PN 2137296**



**CODING 3
BROWN
LEVER LEFT
CABLE EXIT RIGHT
PN 2300052**



**CODING 3
BROWN
LEVER RIGHT
CABLE EXIT LEFT
PN 2300050**

								PA66	LEVER LEFT SIDE	BLACK	6
1	1	1	1	1	1	1	1	PA66	LEVER RIGHT SIDE	BLACK	6
1	1	1	1	1	1	1	1	PBT	COVER FOR FAMILY SEAL	BLACK	5
1	1	1	1	1	1	1	1	SILICON RUBBER	FAMILY SEAL	LIGHT BLUE	4
1	1	1	1	1	1	1	1	PBT	32 POS. (UPPER PART)	BLACK	3
1	1	1	1	1	1	1	1	SILICON RUBBER	RADIAL SEAL	NATURAL	2
								PA66	32 POS. (LOWER PART) CODING 5	BLUE	1
1	1							PA66	32 POS. (LOWER PART) CODING 3	BROWN	1
					1	1		PA66	32 POS. (LOWER PART) CODING 2	GREY	1
							1	PA66	32 POS. (LOWER PART) CODING 1	BLACK	1
								MATERIAL	DESCRIPTION	COLOR	ITEM NO.
								PART NUMBER OF EACH ASSY			
								CODING LEVER POSITION PARTS LIST			
X-2300050-X	X-2300052-X	X-2278712-X	X-2137296-X	X-2137297-X	X-2137152-X	X-2137298-X	X-2137143-X				
CODING 3 RIGHT	CODING 3 LEFT	CODING 5 LEFT	CODING 5 RIGHT	CODING 2 LEFT	CODING 2 RIGHT	CODING 1 LEFT	CODING 1 RIGHT	BY REQD PER ASSY			

2137143 AS SHOWN

THIS DRAWING IS A CONTROLLED DOCUMENT. OWN: G.ZHAO 120CT2010. CHG: Y.YANG 17DEC2010. APV: L.YIN 22DEC2010. NAME: 32P MIXED RECEPTACLE HOUSING ASSY 24XMS AND 8X1.5. DIMENSIONS: mm. TOLERANCES UNLESS OTHERWISE SPECIFIED: 0 PLC ±0.3, 1 PLC ±0.3, 2 PLC ±0.3, 3 PLC ±0.3, 4 PLC ±0.3. ANGLES: ±1.5°. MATERIAL: FINISH: CUSTOMER DRAWING. SCALE: 2:1. SHEET: 1 OF 1. REV: B3.