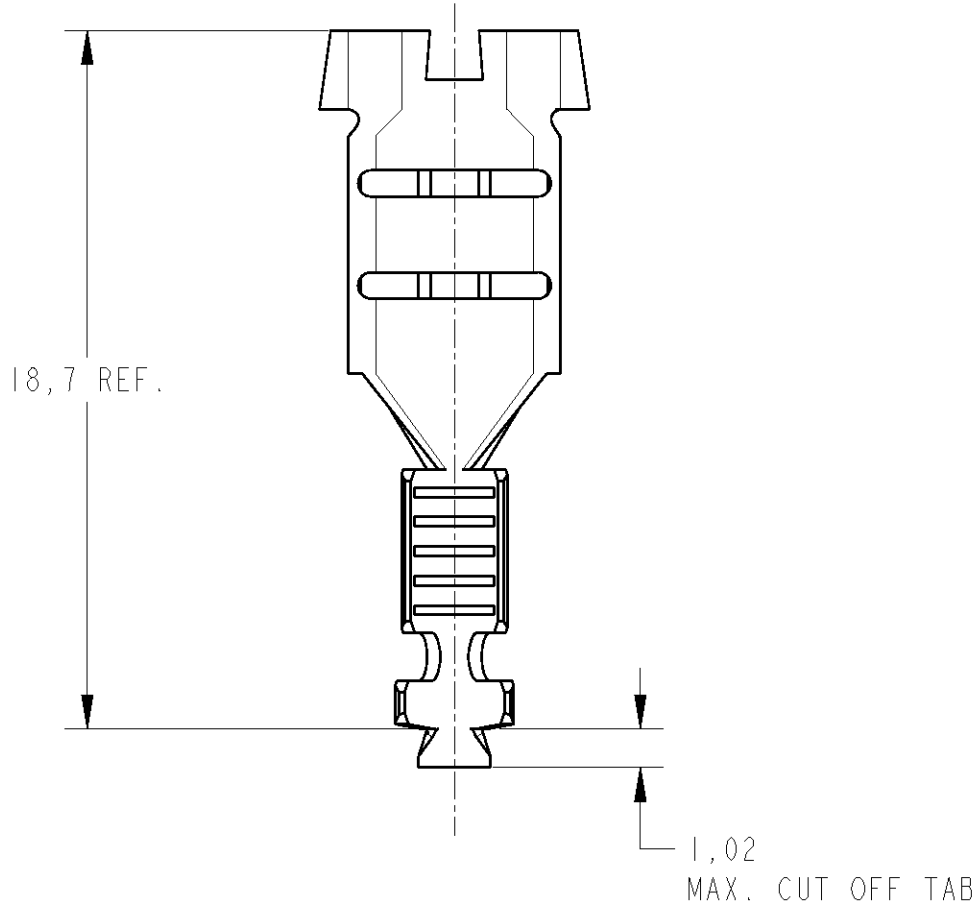


LOC	DIST	REVISIONS					
AP	-	P	LTR	DESCRIPTION	DATE	DWN	APVD
			A	RELEASED	05OCT2010	HC	WLS



1- STRIP FORM PN-1478484-1.

THIS DRAWING IS UNPUBLISHED.  
 RELEASED FOR PUBLICATION  
 COPYRIGHT © BY TYCO ELECTRONICS CORPORATION. ALL INTERNATIONAL RIGHTS RESERVED.

Ø 0,45/1,32mm. (25/16AWG)	—	BRASS/LATÃO	2133159-1
WIRE RANGE	FINISH	MATERIAL	PART NUMBER

DIMENSIONS: mm	DWN H. CANTERI	05OCT2010	MATERIAL	-	FINISH	-
	CHK W.L. STEFANI	05OCT2010	TYCO ELECTRONICS Do Brasil LTDA. São Paulo - Brasil			
TOLERANCES UNLESS OTHERWISE SPECIFIED:	APVD	-	NAME STATOR TERMINAL 4,75 SRS. LOOSE PIECE			
	PRODUCT SPEC	-	SIZE	A 4	CAGE CODE	-
0 PLC ± -	APPLICATION SPEC	-	DRAWING NO	C= 2133159		RESTRICTED TO
1 PLC ± -	WEIGHT	-	SCALE		5/1	SHEET 1 OF 1
2 PLC ± 0,5		CUSTOMER DRAWING	REV		A	
3 PLC ± -						
4 PLC ± -						
ANGLES ± -						