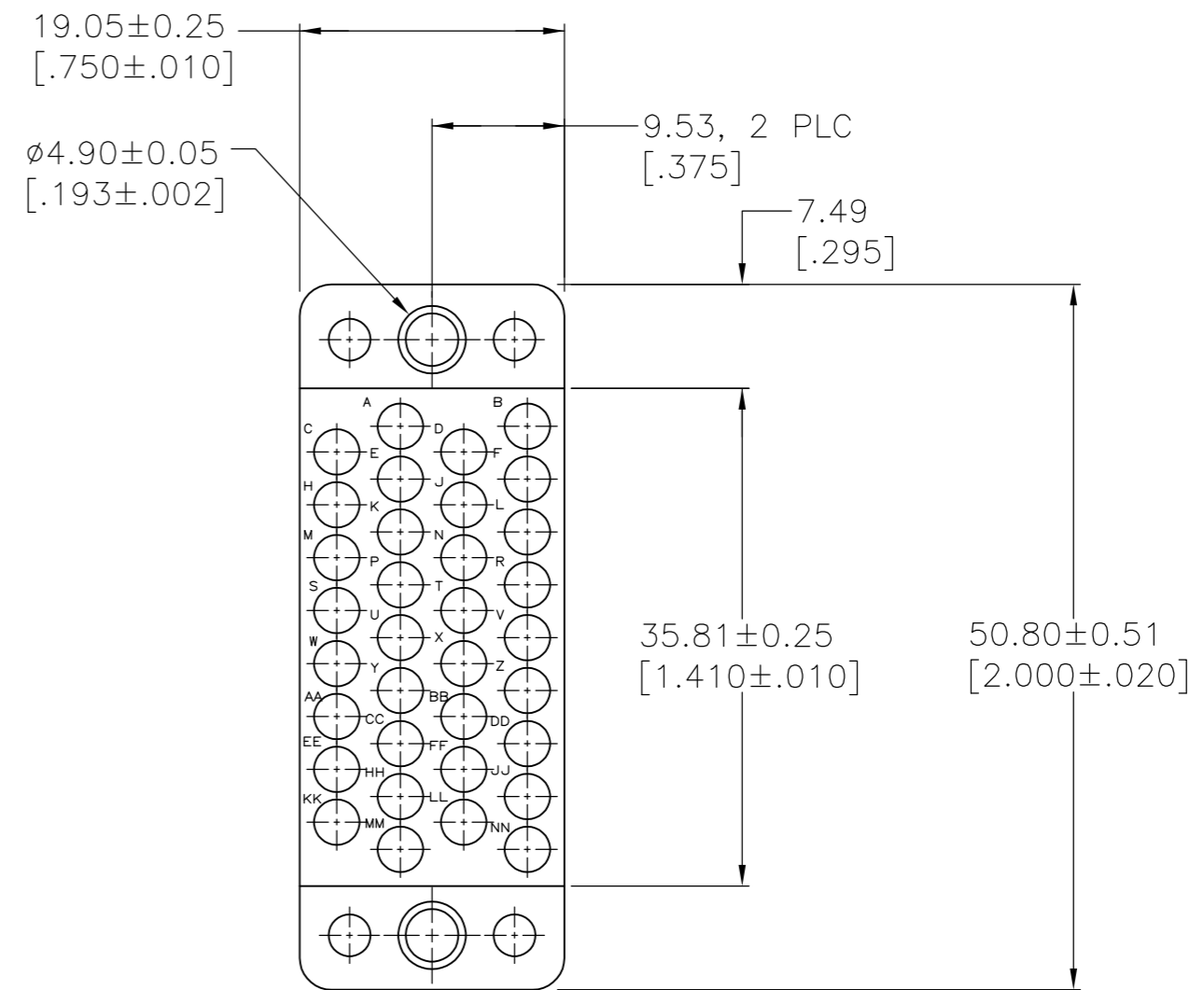
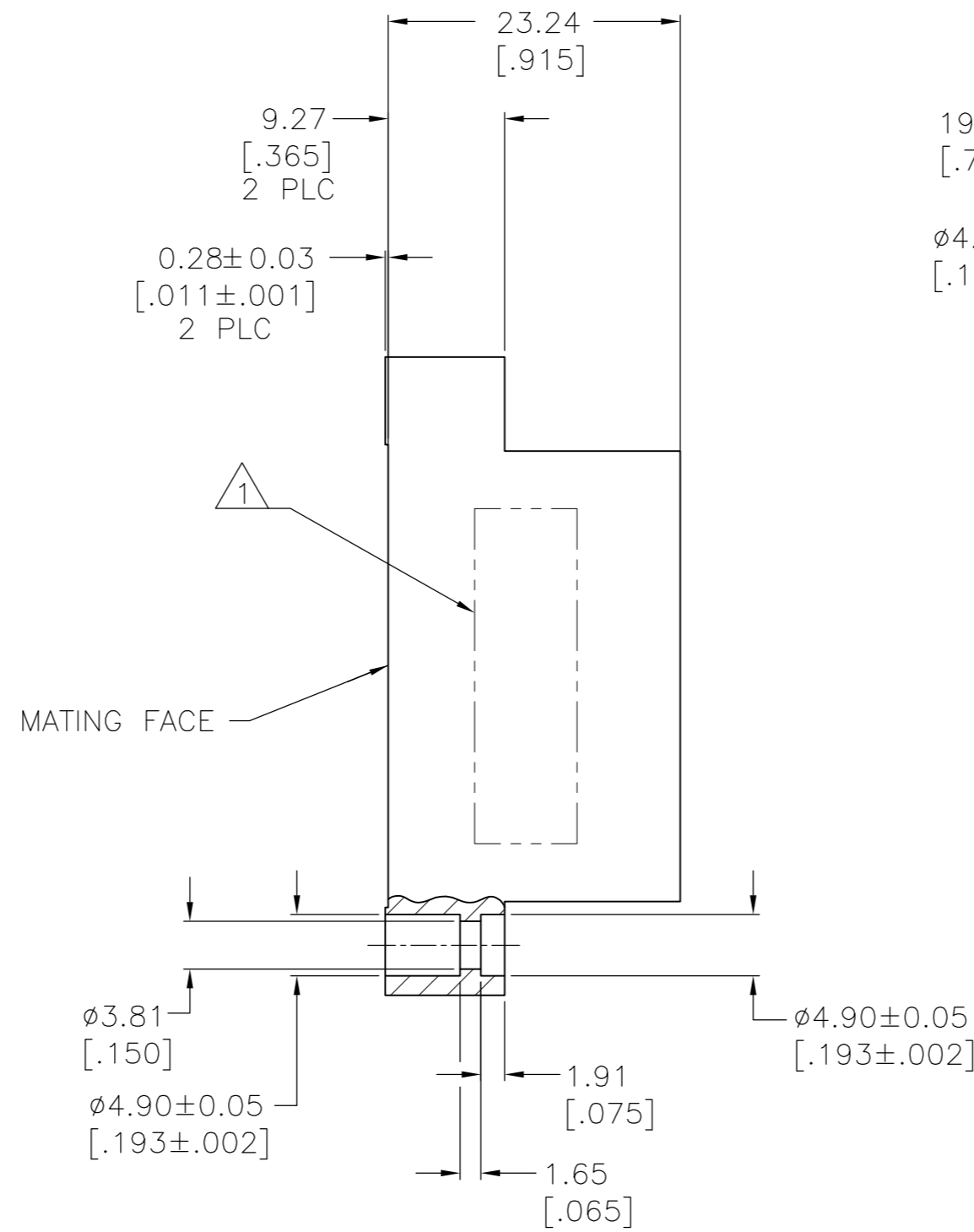
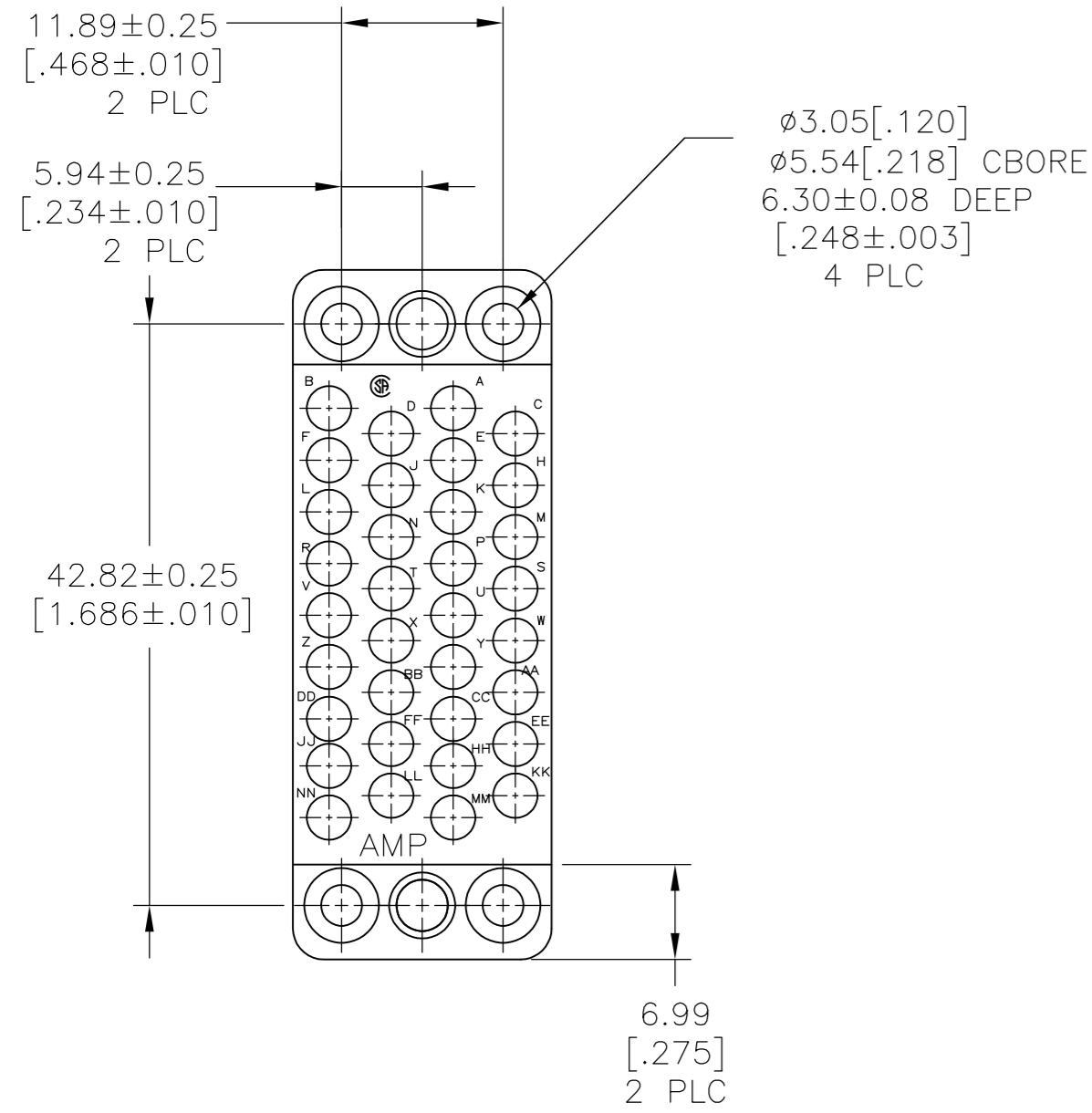


THIS DRAWING IS UNPUBLISHED. RELEASED FOR PUBLICATION
 © COPYRIGHT - By - ALL RIGHTS RESERVED.

REVISIONS				
P	LTR	DESCRIPTION	DATE	APVD
A1		REVISED PER ECO-16-001847	19JUL2016	NK MZ



△ 213294-2 MARKED AT THIS APPROX LOCATION ON EITHER SIDE, SEE TABLE.

OBSOLETE	△	—213294-2—
		213294-1
	MARKING	PART NO.

THIS DRAWING IS A CONTROLLED DOCUMENT.		DWN	L.SIPE	01/21/91																
DIMENSIONS: mm [INCHES]		CHK	W G LENKER	1-25-91																
TOLERANCES UNLESS OTHERWISE SPECIFIED:		APVD	R WALTER	1-28-92																
<table border="1"> <tr><td>0 PLC</td><td>± -</td></tr> <tr><td>1 PLC</td><td>± -</td></tr> <tr><td>2 PLC</td><td>± 0.13 [0.005]</td></tr> <tr><td>3 PLC</td><td>± -</td></tr> <tr><td>4 PLC</td><td>± -</td></tr> <tr><td>ANGLES</td><td>± -</td></tr> <tr><td>FINISH</td><td>-</td></tr> </table>		0 PLC	± -	1 PLC				± -	2 PLC	± 0.13 [0.005]	3 PLC	± -	4 PLC	± -	ANGLES	± -	FINISH	-	PRODUCT SPEC	-
0 PLC	± -																			
1 PLC	± -																			
2 PLC	± 0.13 [0.005]																			
3 PLC	± -																			
4 PLC	± -																			
ANGLES	± -																			
FINISH	-																			
MATERIAL: PHENOLIC PER MIL-M-14, TYPE CFG, BLACK		APPLICATION SPEC	-	SIZE	A2	CAGE CODE	00779													
		WEIGHT	-	DRAWING NO	C=213294		RESTRICTED TO													
		CUSTOMER DRAWING		SCALE	2:1	SHEET	1 OF 1													
				REV	A1															