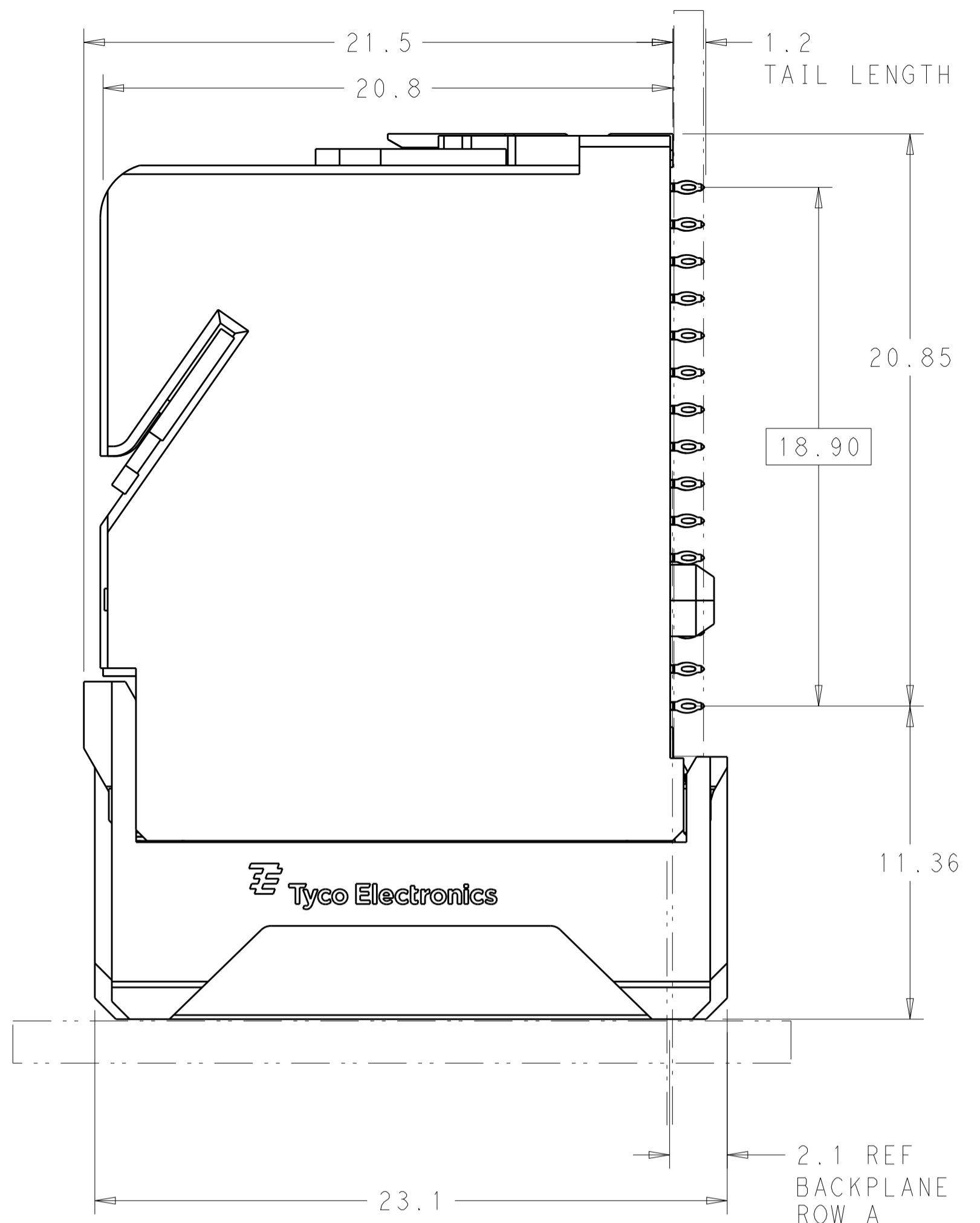
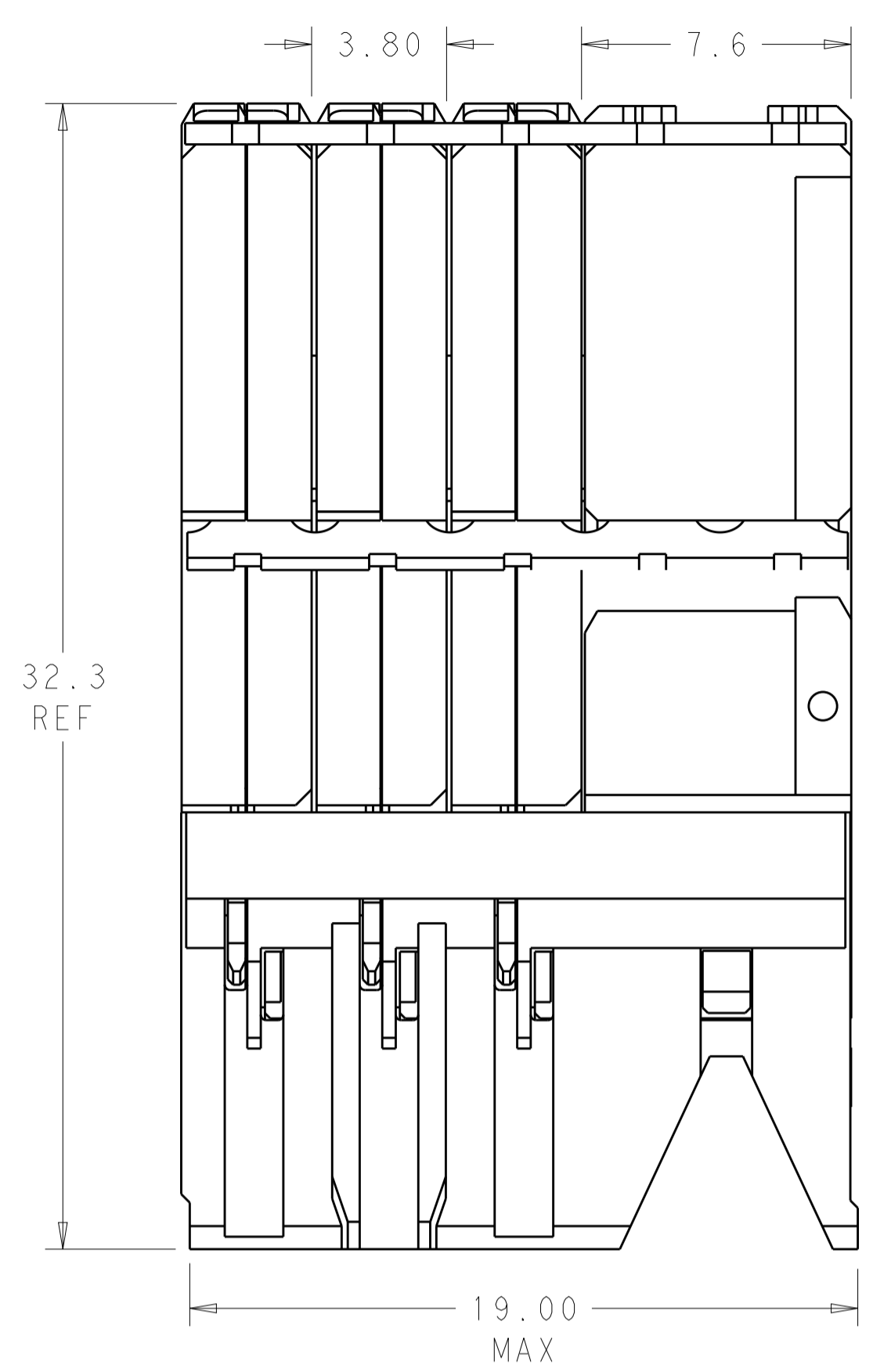
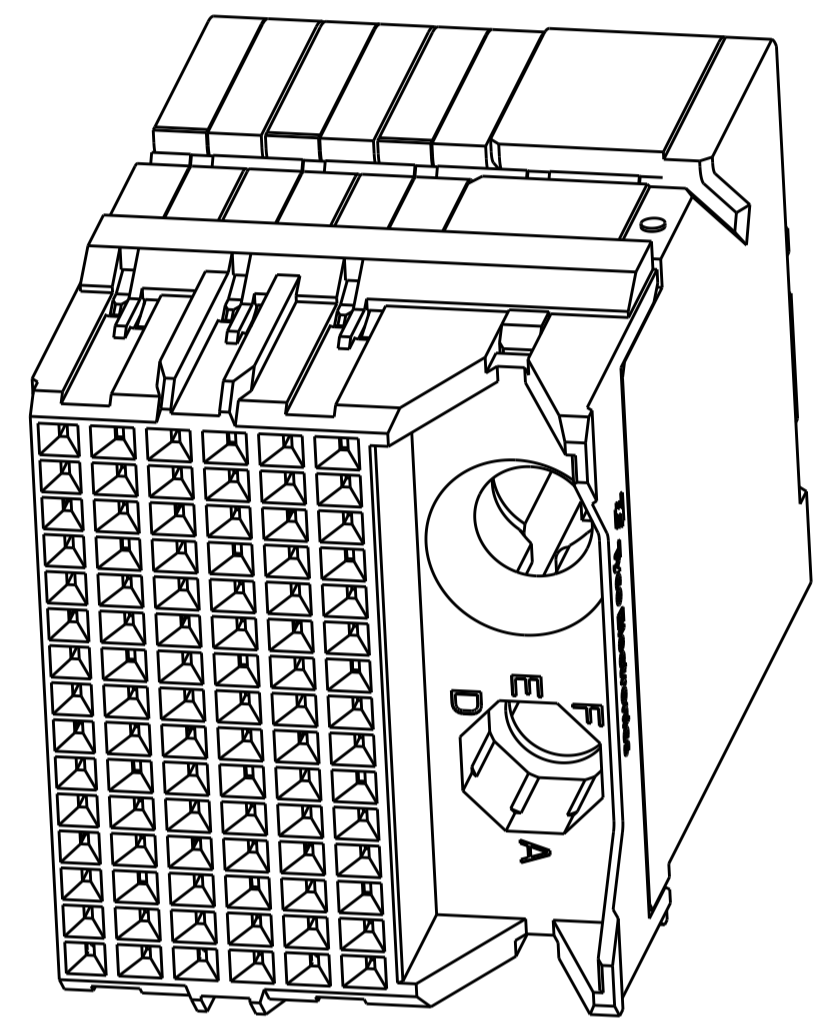


REVISIONS				
P.	LTN	DESCRIPTION	DATE	APVD
B		REVISED PER ECO-15-004915	13APR2015	AP DD

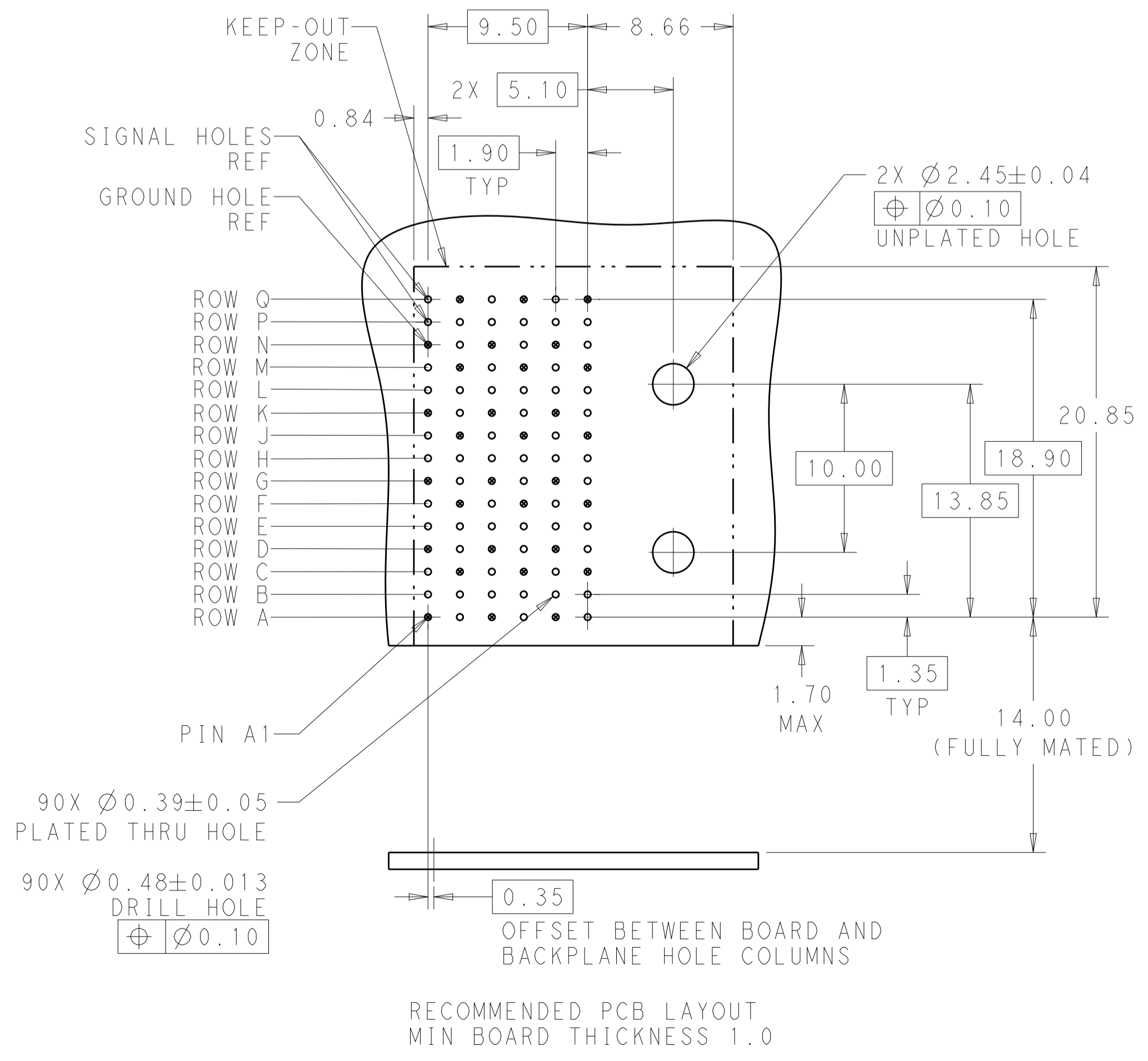
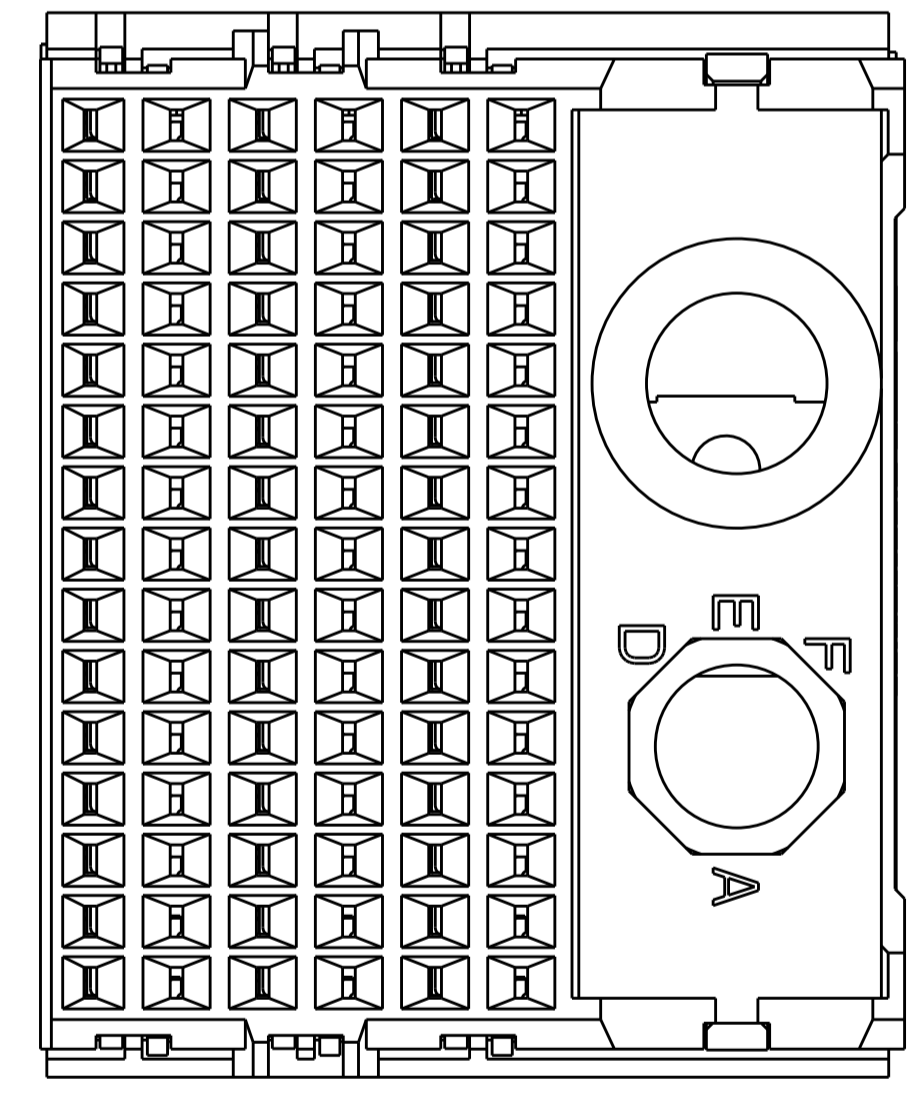


- ⚠ MATERIAL:
HOUSING: LCP, GLASS FILLED, UL94V-0.
TERMINALS: HIGH PERFORMANCE COPPER ALLOY.
- ⚠ FINISH:
30μ" SELECTIVE GOLD IN CONTACT AREA. SELECTIVE TIN ON PCB TAILS, NICKEL OVERALL.
- 3. CONNECTORS SUPPLIED WITH MOUNTING SCREWS.



SCALE 4:1

REFER TO WWW.TE.COM FOR PRODUCT AVAILABILITY



KEY POSITION CHART	
	NONE
	A
	B
	C
	D
	E
	F
	G
	H

KEY POSITION	FINISH	PART NUMBER
H	⚠	8-2132747-1
G	⚠	7-2132747-1
F	⚠	6-2132747-1
E	⚠	5-2132747-1
D	⚠	4-2132747-1
C	⚠	3-2132747-1
B	⚠	2-2132747-1
A	⚠	1-2132747-1
NONE	⚠	2132747-1

THIS DRAWING IS A CONTROLLED DOCUMENT.

OWN: B. CARBO 06JAN2011
 CHK: D. DIXON 06JAN2011
 APVD: D. DIXON 06JAN2011

DIMENSIONS: mm

TOLERANCES UNLESS OTHERWISE SPECIFIED:
 0 PLC ±
 1 PLC ±0.2
 2 PLC ±0.13
 3 PLC ±
 4 PLC ±
 ANGLES ±

MATERIAL: SEE TABLE

FINISH: SEE TABLE

NAME: IMPACT, 5 PAIR, DAUGHTERCARD 6 COLUMN, RIGHT GUIDED, SIGNAL MODULE, 0.39 EYELET

SIZE: A1
 CAGE CODE: 00779
 DRAWING NO: C=2132747

RESTRICTED TO: -

Customer Drawing

SCALE: 6:1 SHEET 1 OF 1 REV B