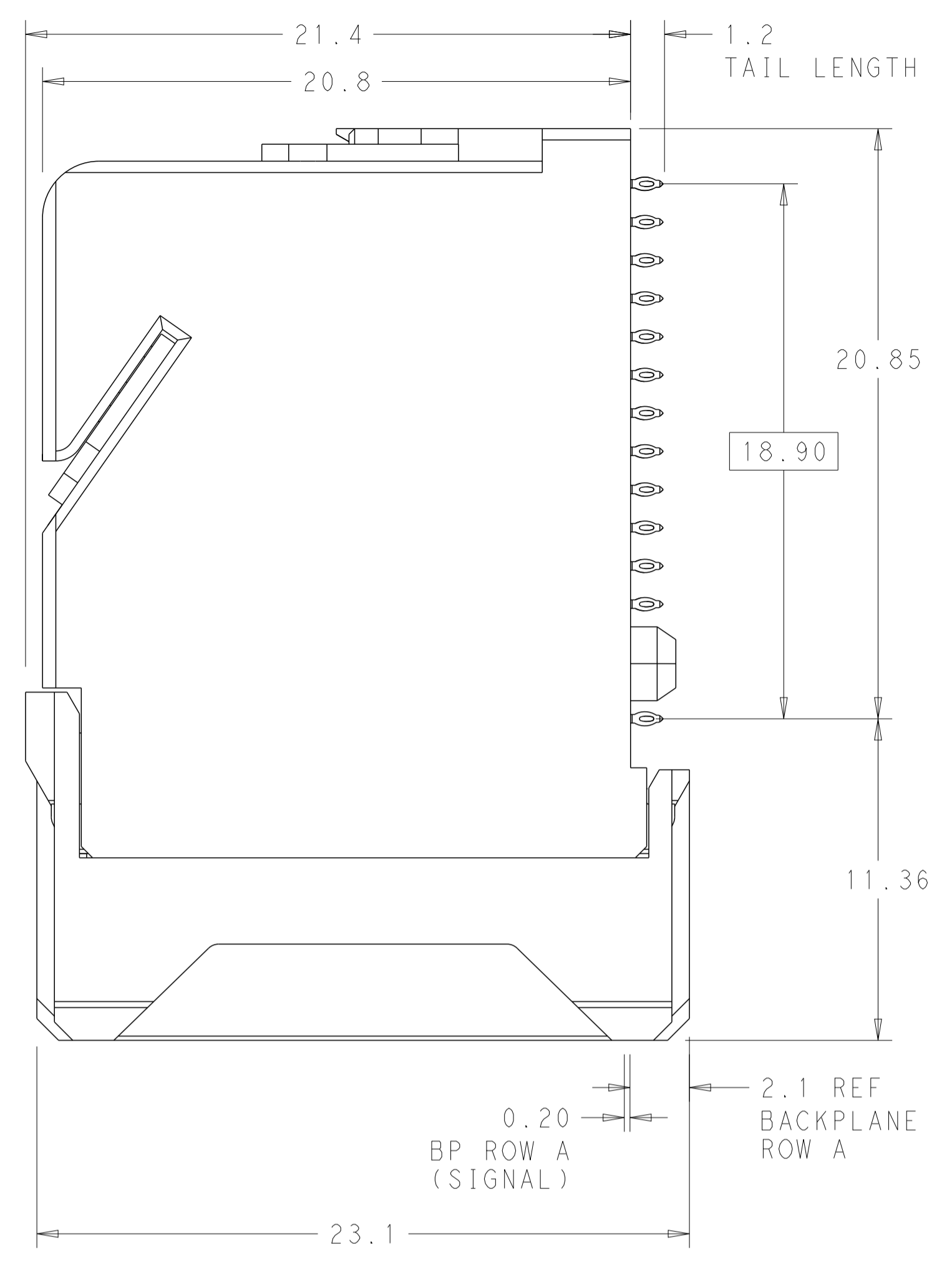
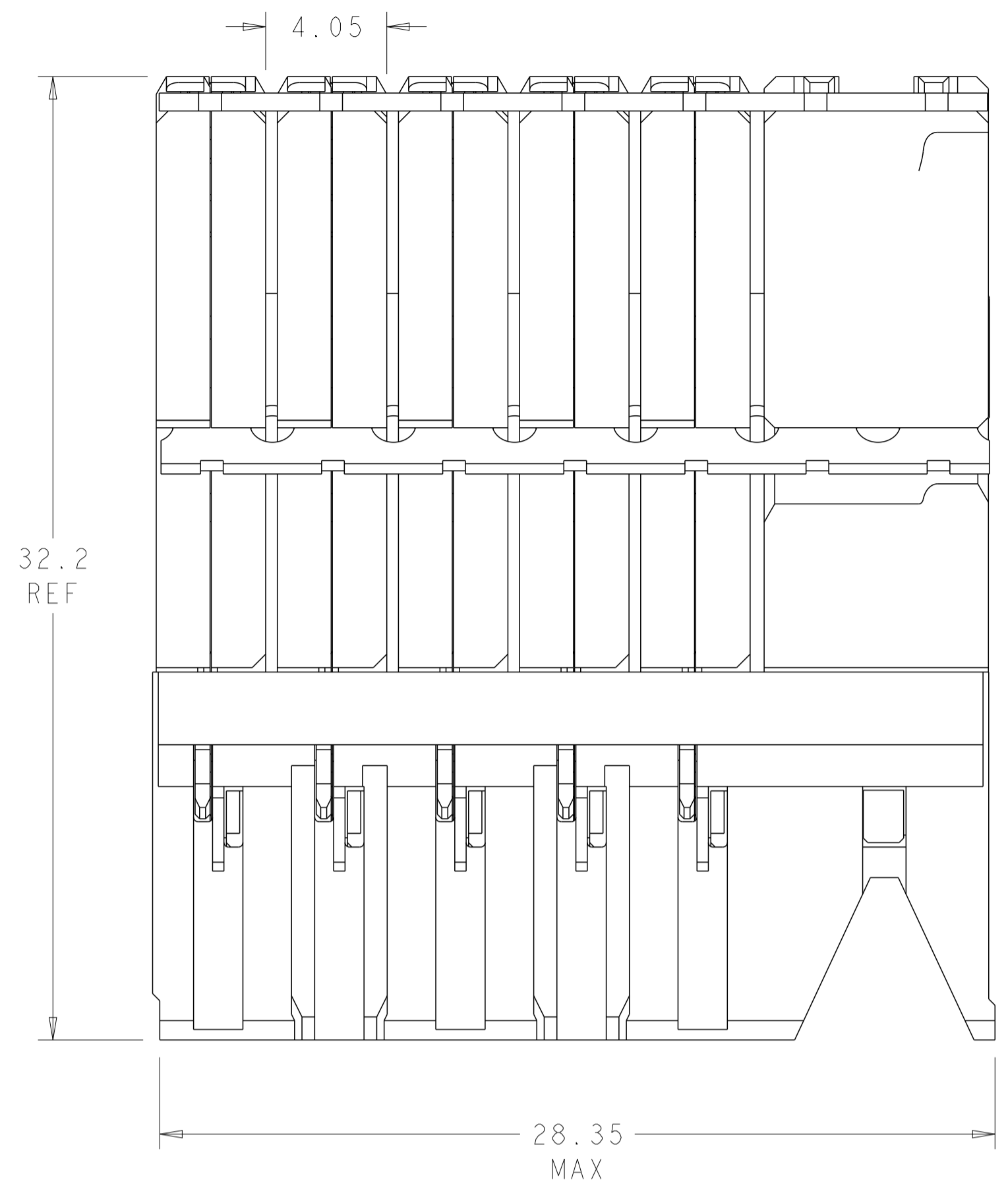
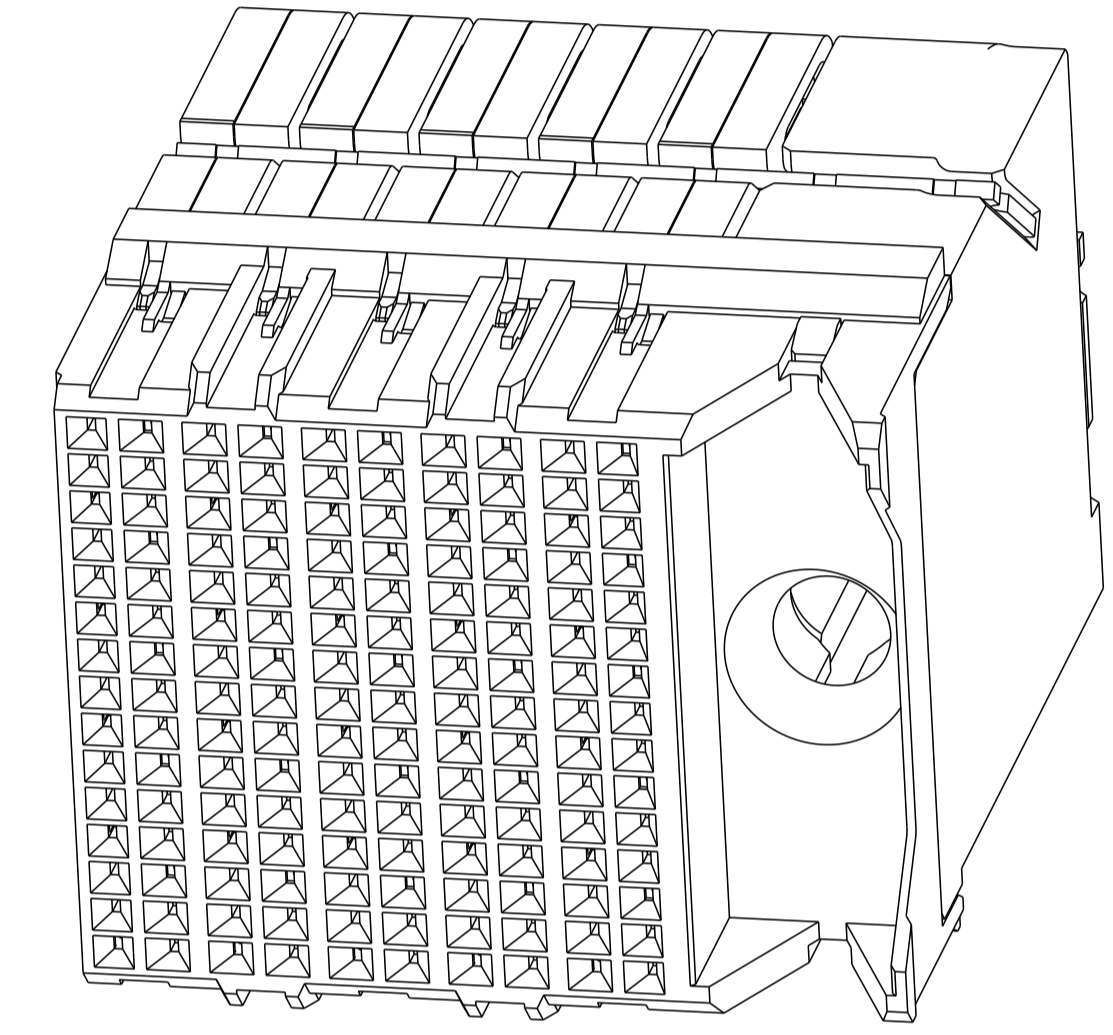


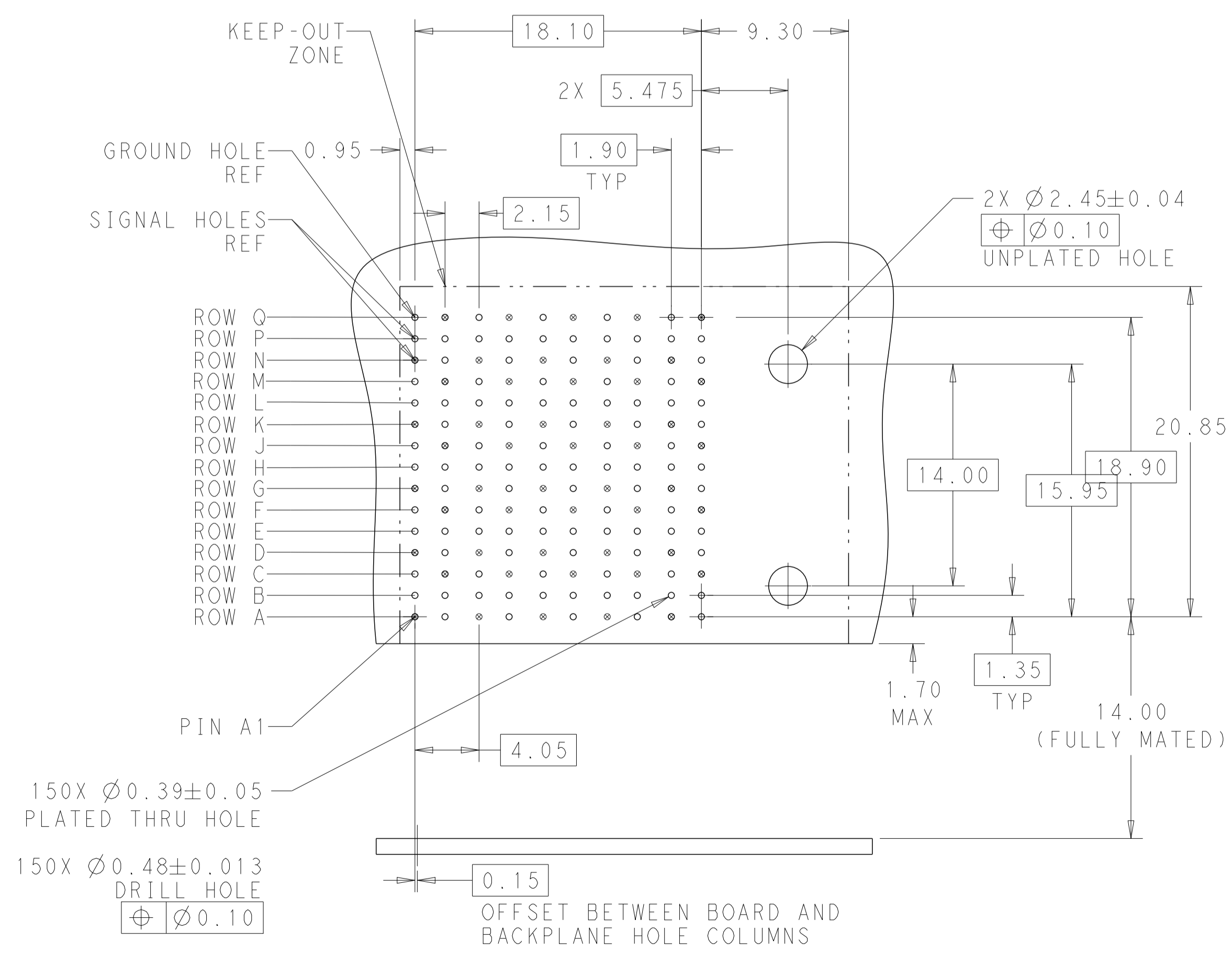
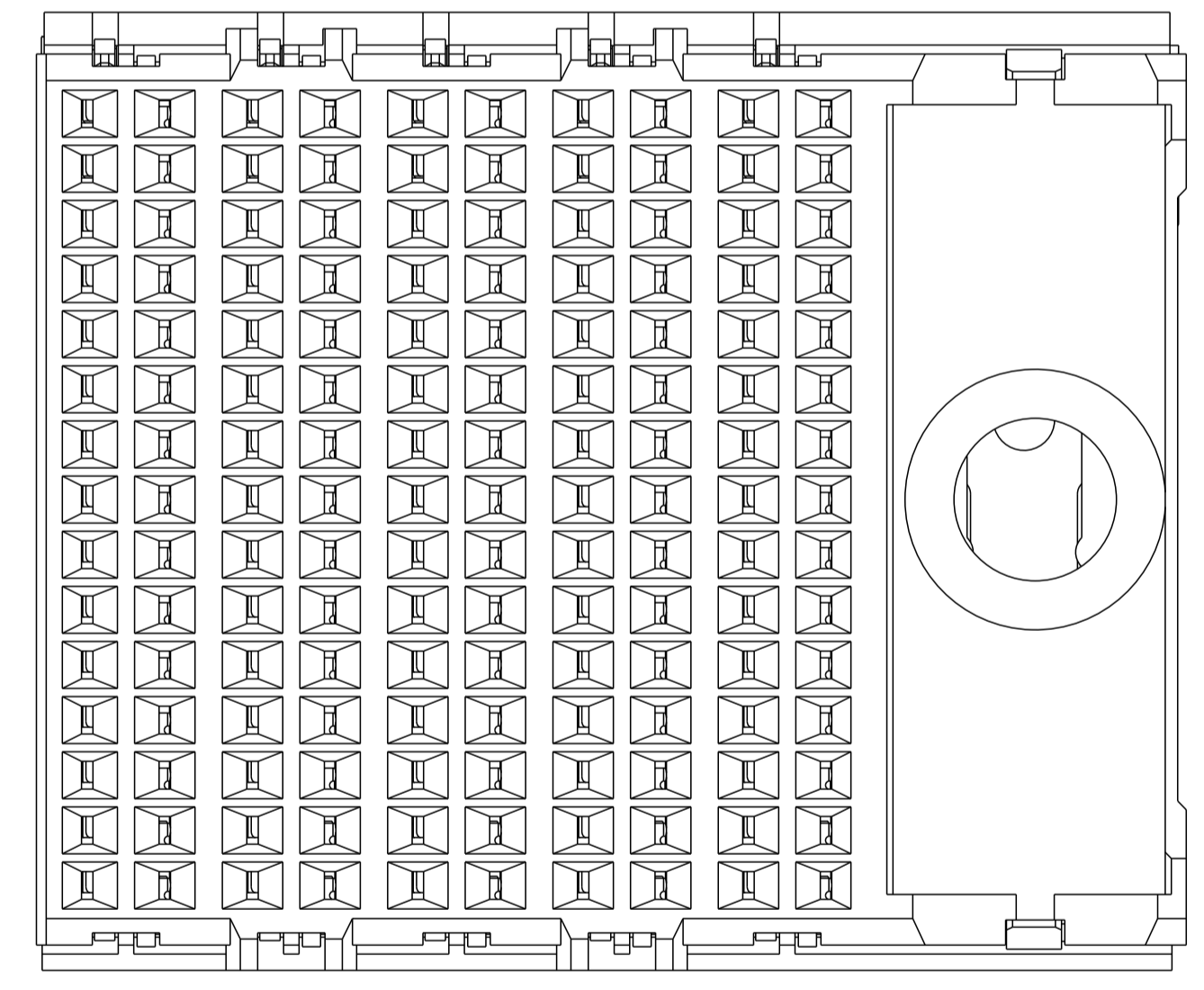
LOC		DIST		REVISIONS			
AD	00	P	LTN	DESCRIPTION	DATE	DWN	APVD
		C		REVISED PER ECO-15-004915	10APR2015	AP	DD
		C1		REVISED PER ECN-24-252036	20MAR2024	AP	RS



- ⚠ MATERIAL:
 HOUSING: LCP, GLASS FILLED, UL94V-0.
 TERMINALS: HIGH PERFORMANCE COPPER ALLOY.
- ⚠ FINISH:
 30µ" SELECTIVE GOLD IN CONTACT AREA. SELECTIVE TIN ON PCB TAILS, NICKEL OVERALL.
- 3. CONNECTORS SUPPLIED WITH MOUNTING SCREWS.



REFER TO WWW.TE.COM FOR PRODUCT AVAILABILITY



RECOMMENDED PCB LAYOUT
 MIN BOARD THICKNESS 1.0

NONE	⚠	2132694-1
KEY POSITION	FINISH	PART NUMBER
TE TE Connectivity		
DIMENSIONS: mm TOLERANCES UNLESS OTHERWISE SPECIFIED: 0 PLC ± 1 PLC ±0.25 2 PLC ±0.15 3 PLC ± 4 PLC ± ANGLES ± MATERIAL ⚠ SEE TABLE		NAME: IMPACT, ORTHOGONAL, 5 PAIR, DAUGHTERCARD, 10 COLUMN, RIGHT GUIDED, SIGNAL MODULE, 0.39 EYELET SIZE: A1 CAGE CODE: 00779 DRAWING NO: 2132694 WEIGHT: - CUSTOMER DRAWING
SCALE 6:1		SHEET 1 OF 1 REV C1