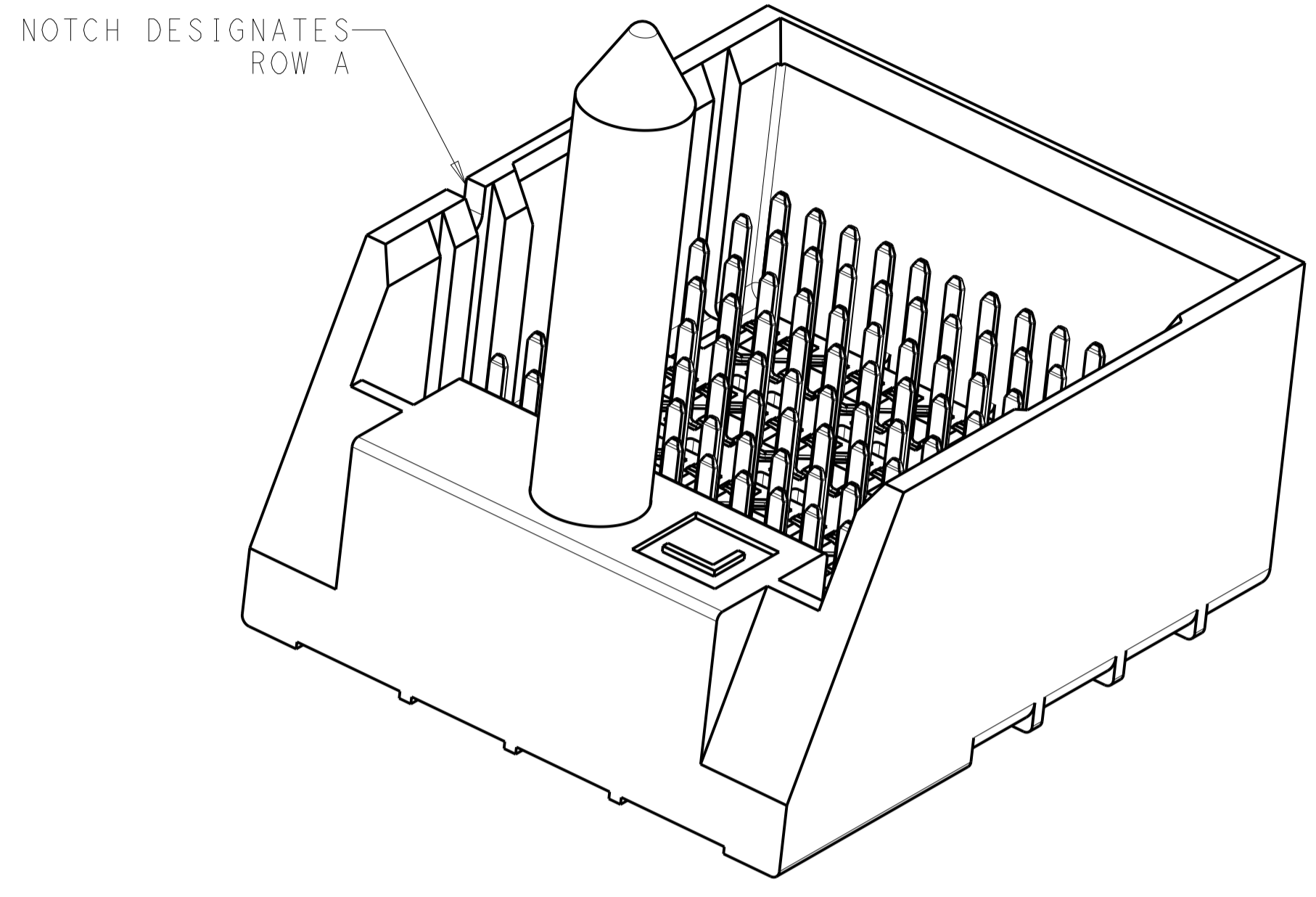
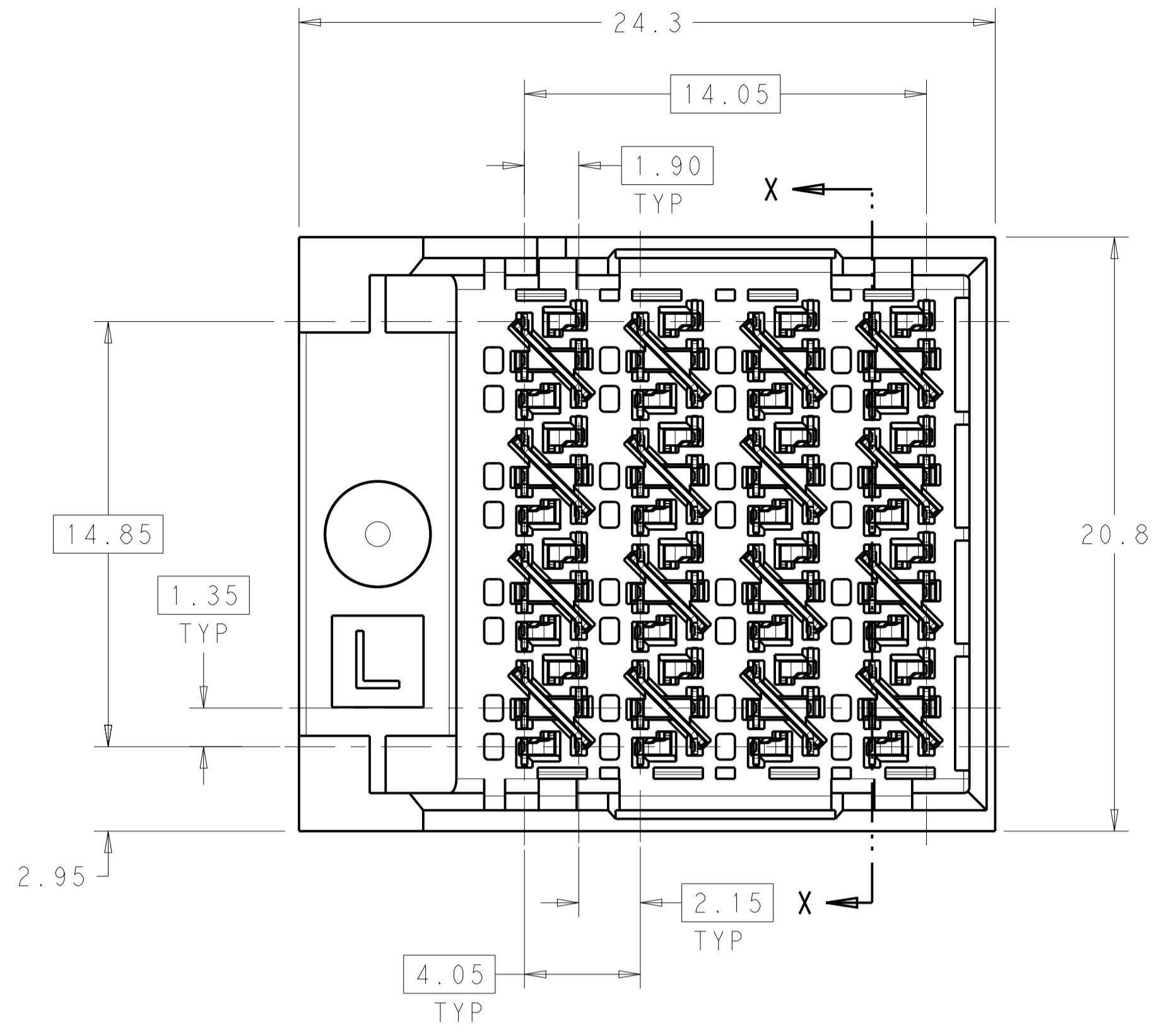
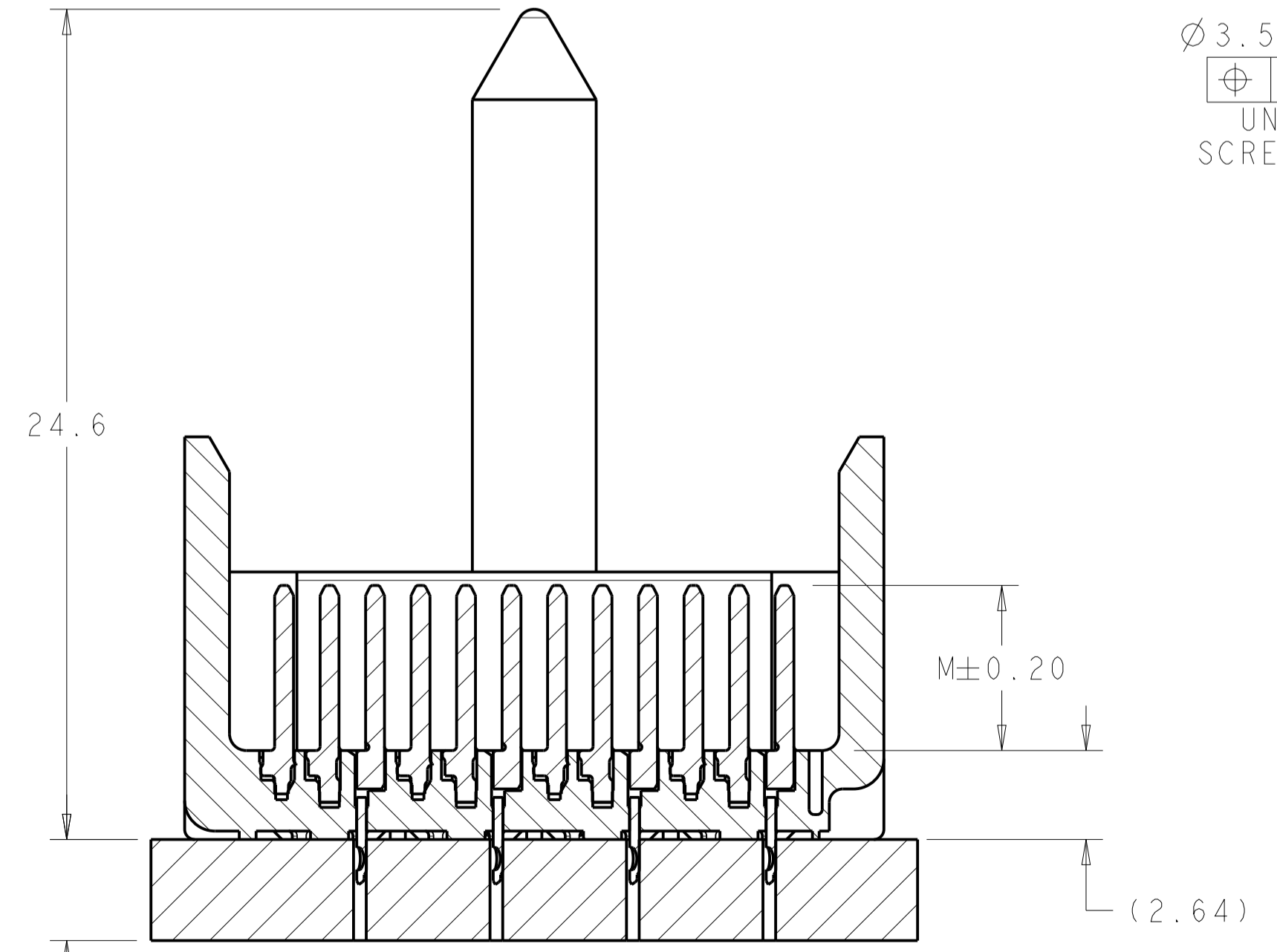
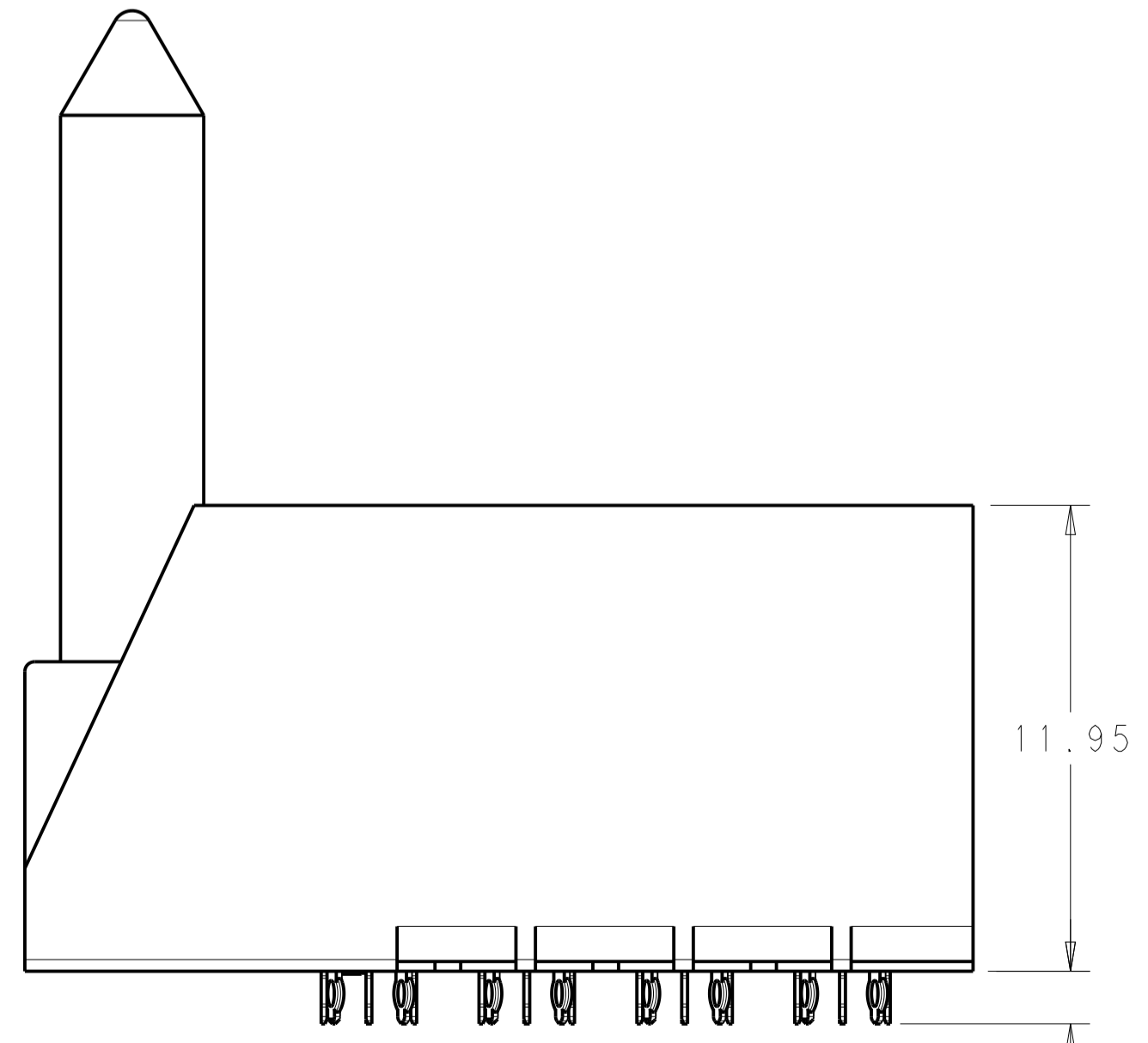
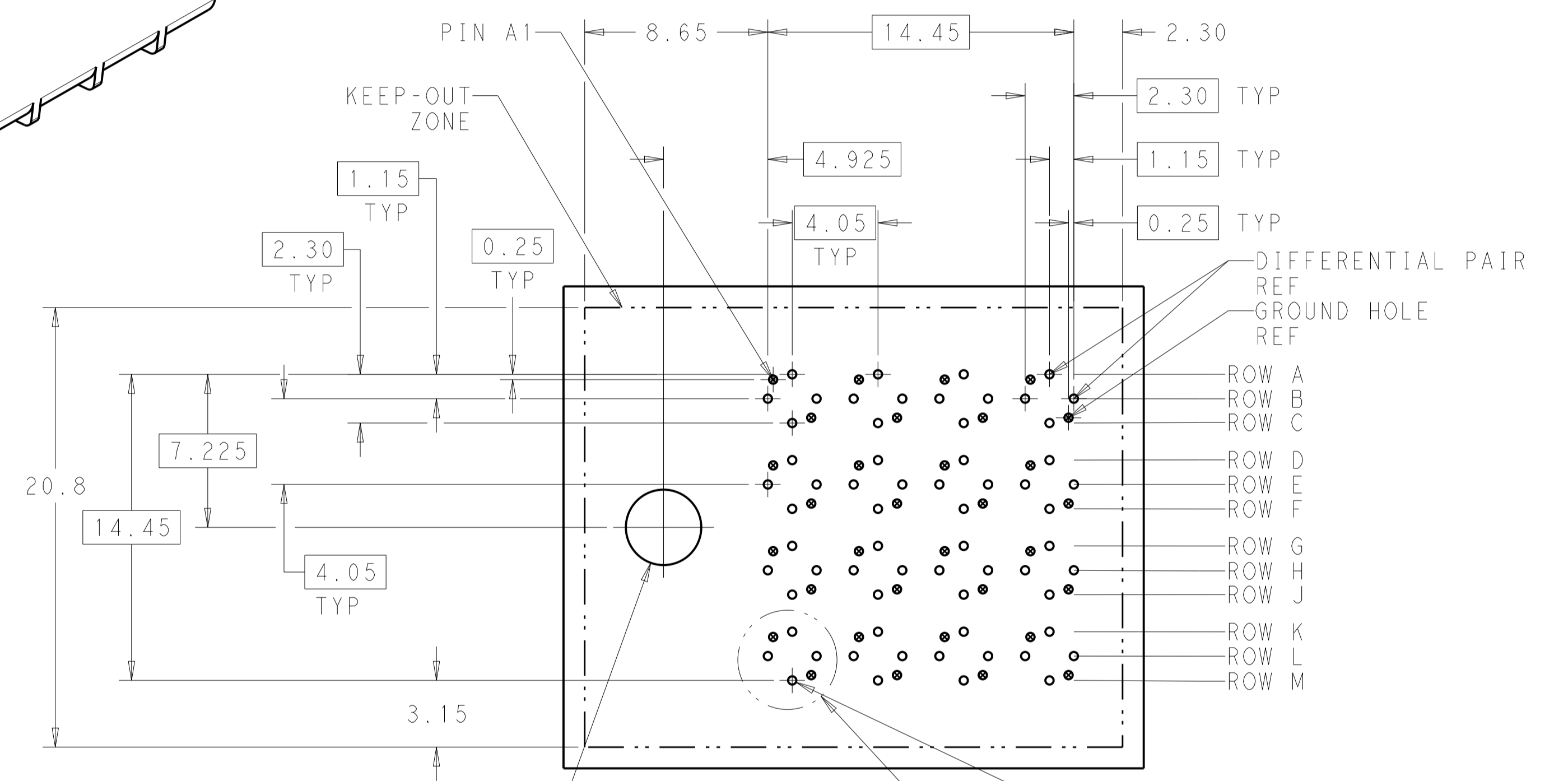
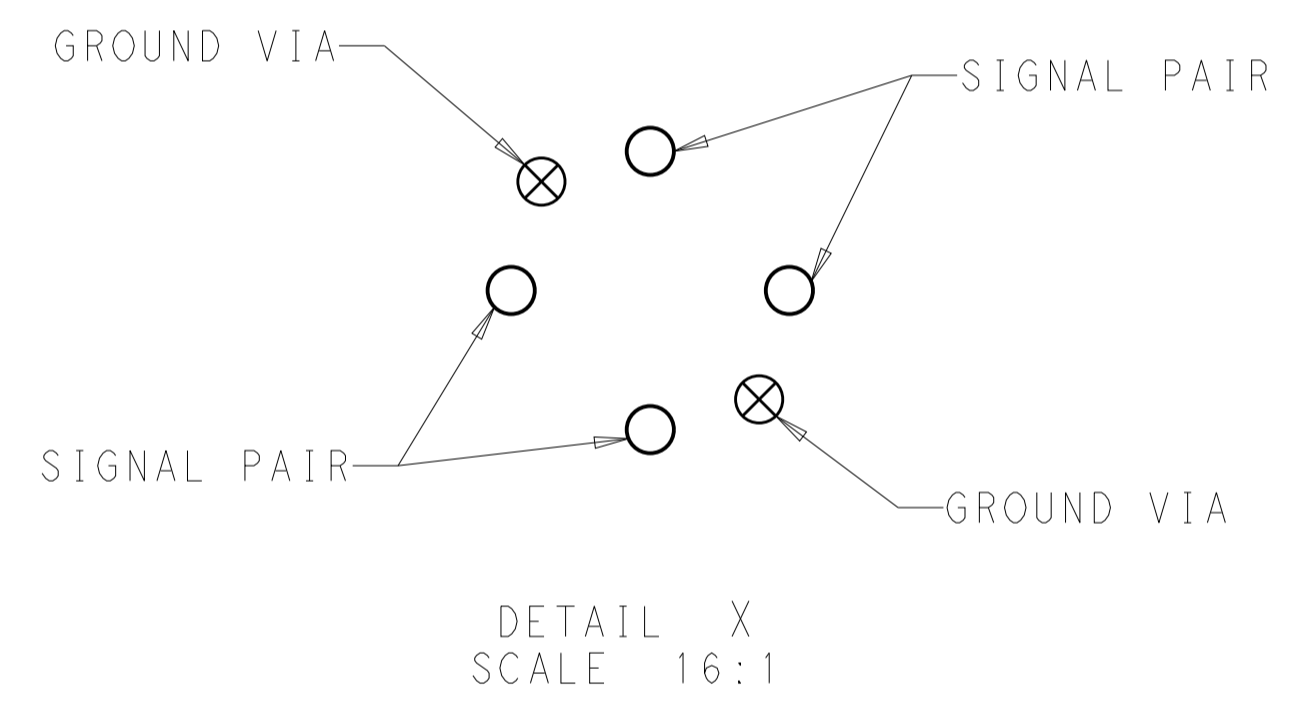


REVISIONS				
P.	LTN.	DESCRIPTION	DATE	APVD.
C		REVISED PER ECO-14-013271	06SEP2014	AP DD



- 1 MATERIAL:
HOUSING: LCP, GLASS FILLED, UL94V-0.
TERMINALS: HIGH PERFORMANCE COPPER ALLOY.
- 2 FINISH:
30µ" MIN GOLD IN CONTACT AREA. SELECTIVE TIN ON PCB TAILS, NICKEL OVERALL.
- 3. SCREWS PACKAGED IN END OF PACKAGING TUBE.
- 4 FOR GROUNDED GUIDE PIN USE $\varnothing 3.56 \pm 0.08$ PTH, $\varnothing 3.66$ DRILL, AND $\varnothing 6.5$ PAD.



LEFT GUIDED BACKPLANE HOLE PATTERN (CONNECTOR SIDE)

REFER TO WWW.TE.COM FOR PRODUCT AVAILABILITY

2	5.5	2132610-2
2	4.9	2132610-1
FINISH	DIM M	PART NUMBER

THIS DRAWING IS A CONTROLLED DOCUMENT.		OWN: J. SHOBER 07DEC2010	
DIMENSIONS: mm		CHK: J. EARY 07DEC2010	
TOLERANCES UNLESS OTHERWISE SPECIFIED:		APVD: J. EARY 07DEC2010	IMPACT, ORTHOGONAL, 4 PAIR, 8 COLUMN HEADER, LEFT GUIDED, RIGHT END WALL SIGNAL MODULE, 0.39 PTH
0 PLC ±0.25		PRODUCT SPEC	
1 PLC ±0.13		APPLICATION SPEC	SIZE: CAGE CODE DRAWING NO. RESTRICTED TO A100779C=2132610
2 PLC ±0.10		WEIGHT	
3 PLC ±0.08		FINISH	CUSTOMER DRAWING SCALE: 6:1 SHEET 1 OF 1 REV C
4 PLC ±0.05		ANGLES	
MATERIAL		SEE TABLE	