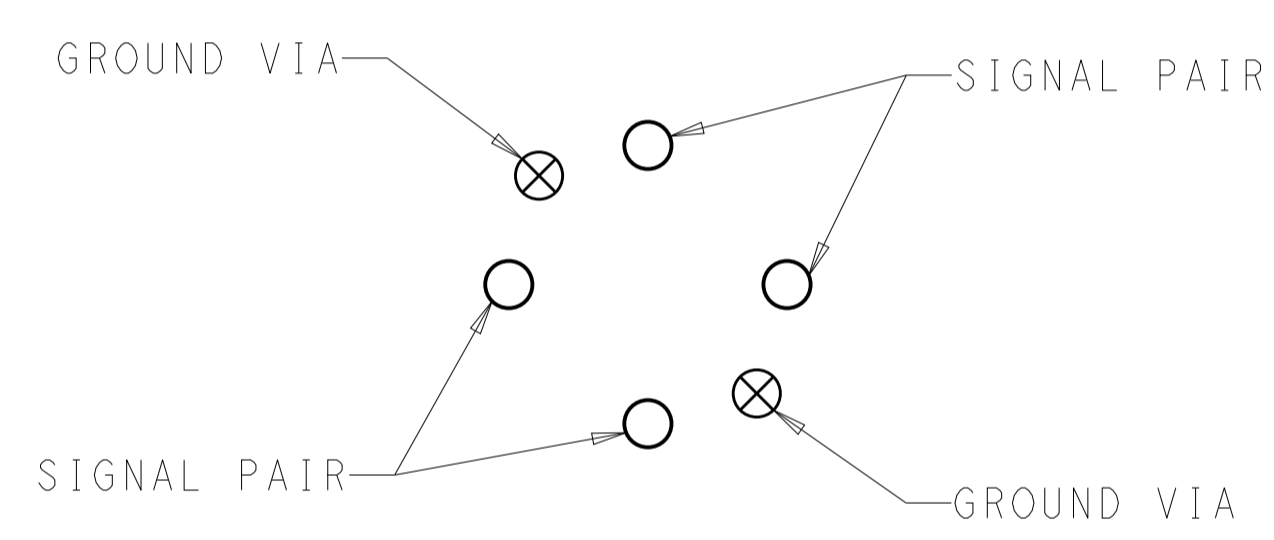
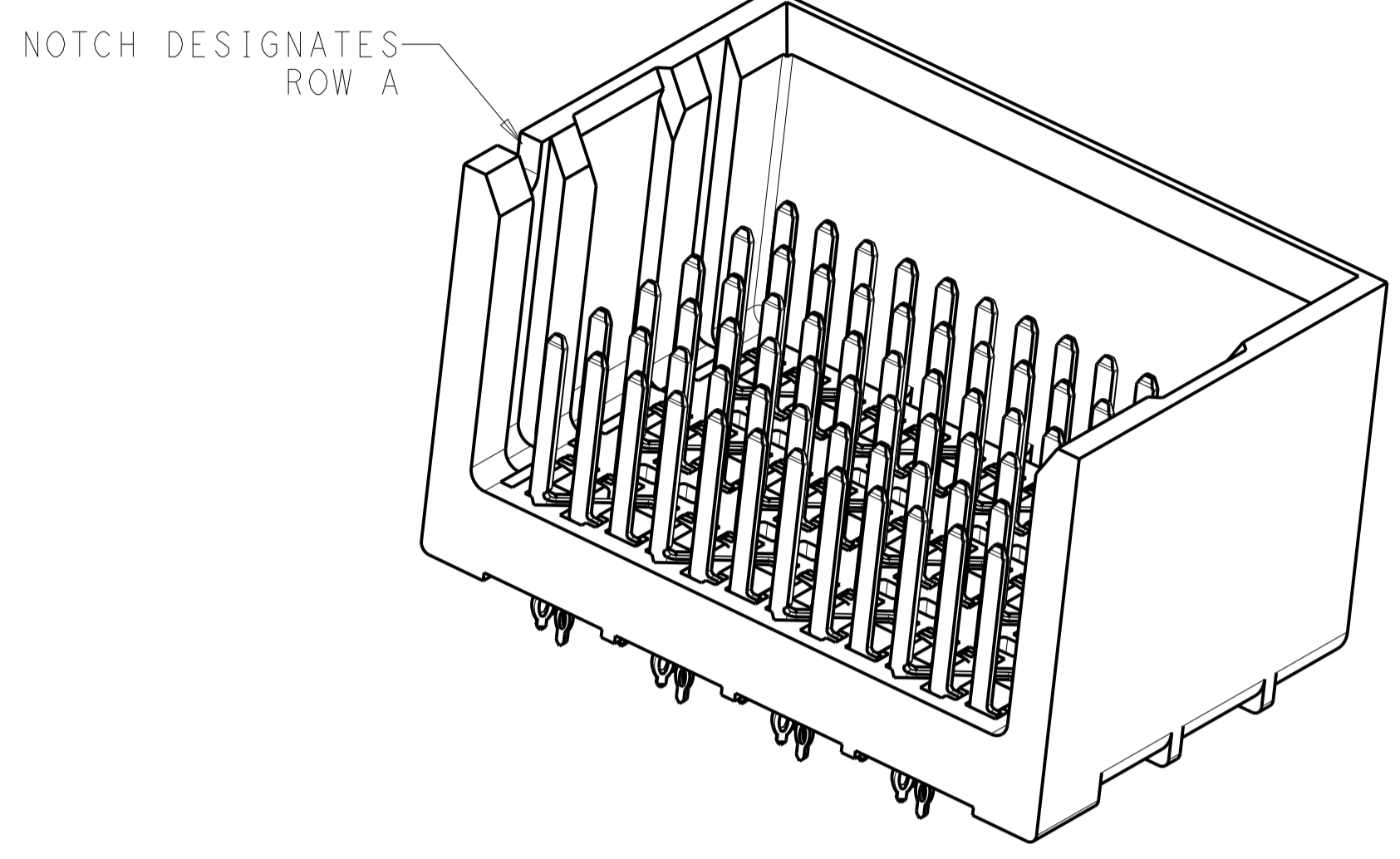
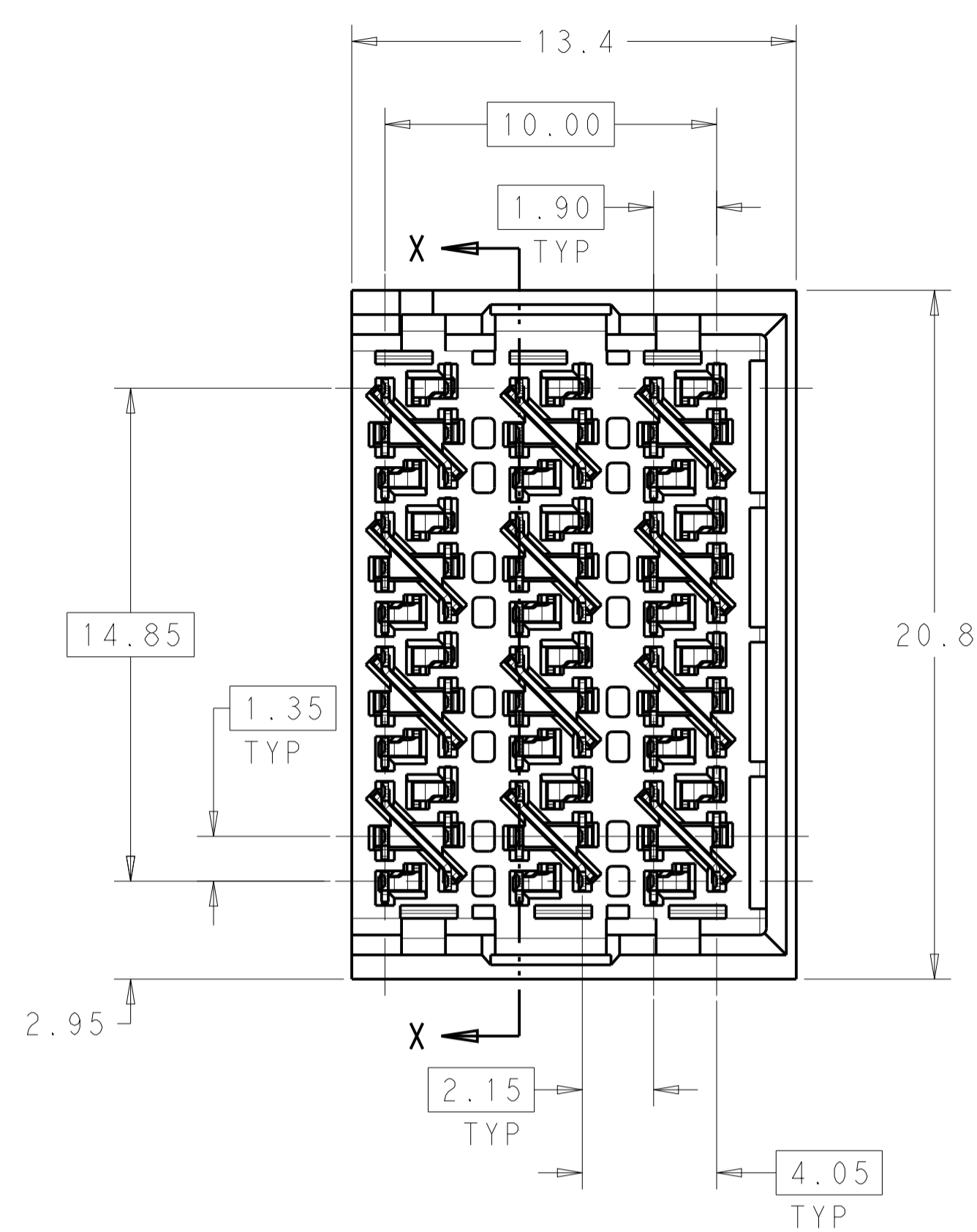
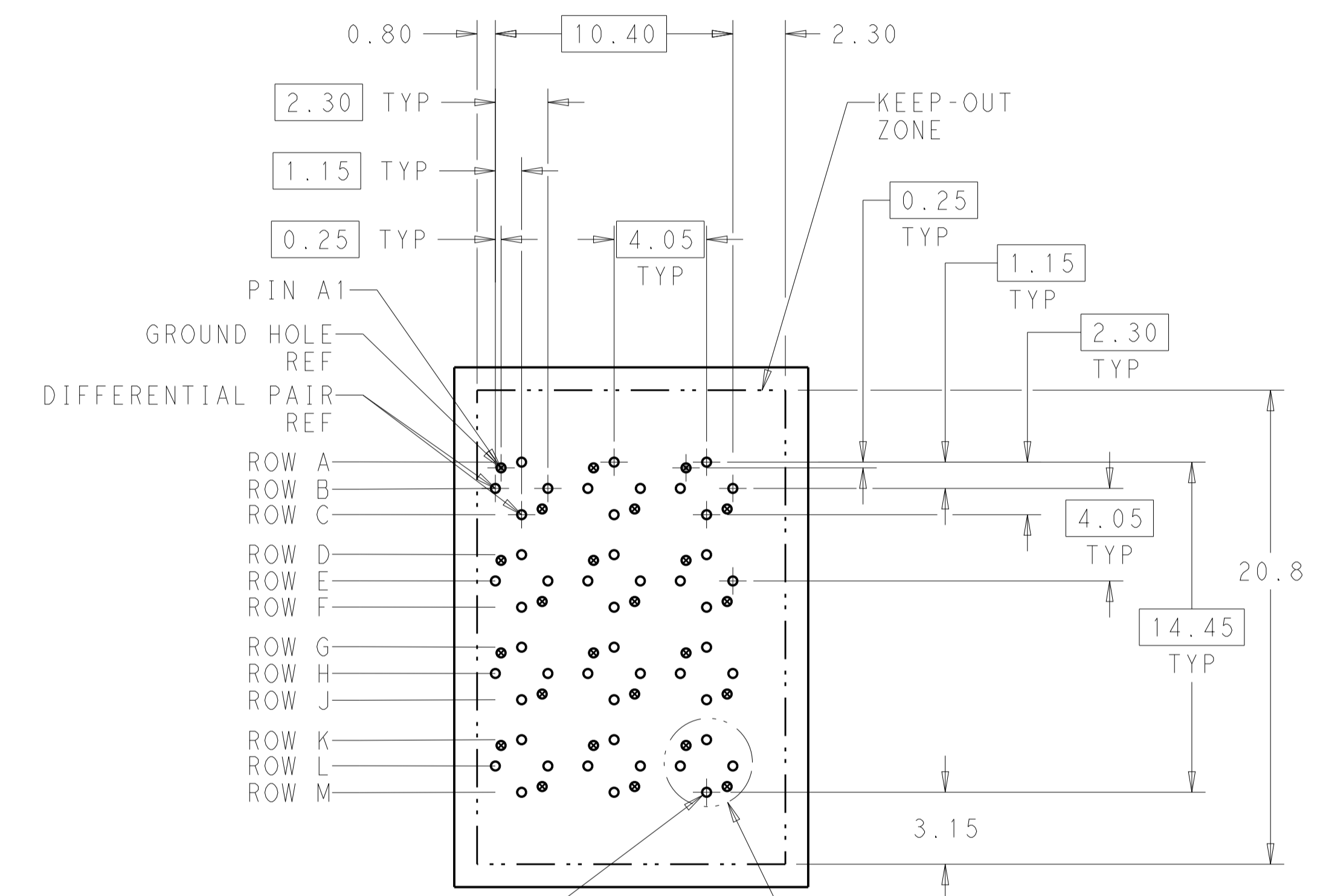


REVISIONS				
REV	DATE	DESCRIPTION	BY	APP'D
C	06SEP2014	REVISED PER ECO-14-013271	AP	DD



DETAIL X
SCALE 16:1

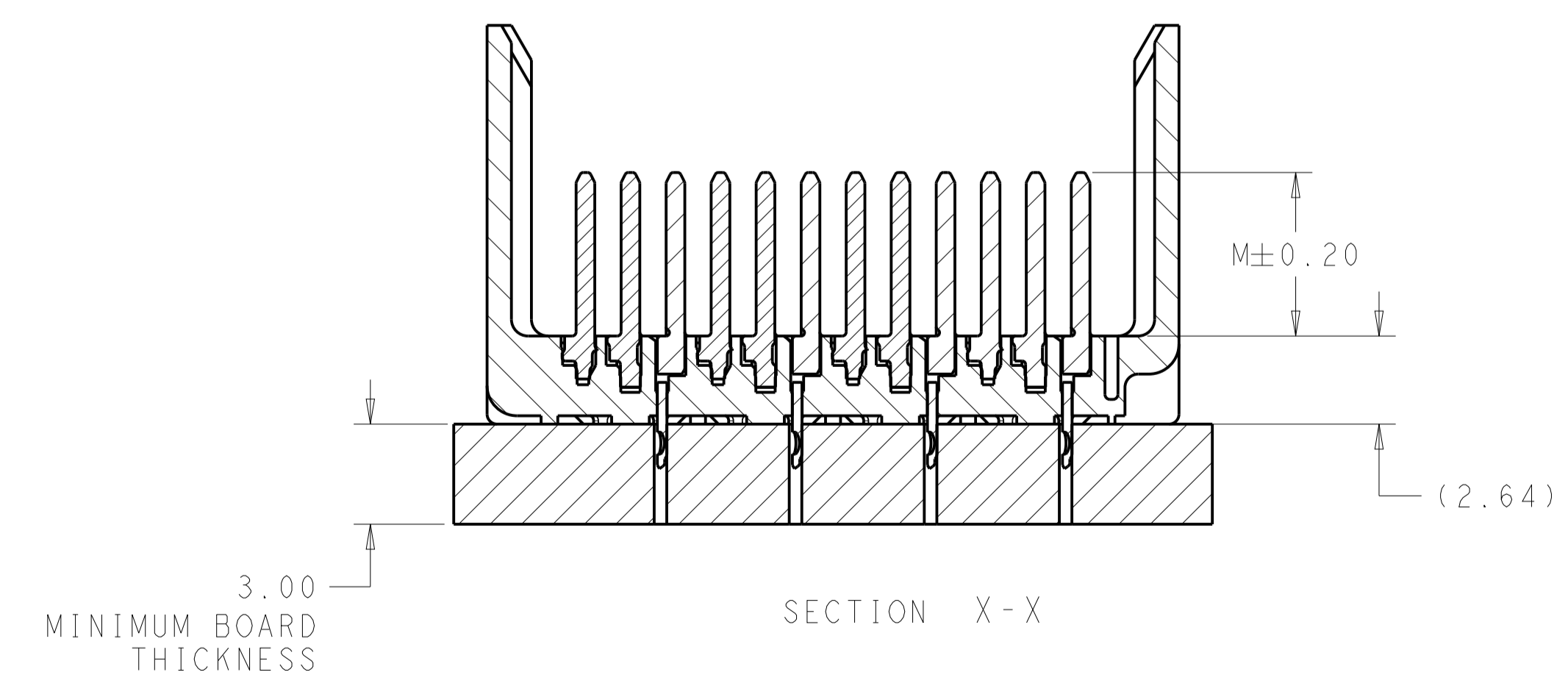
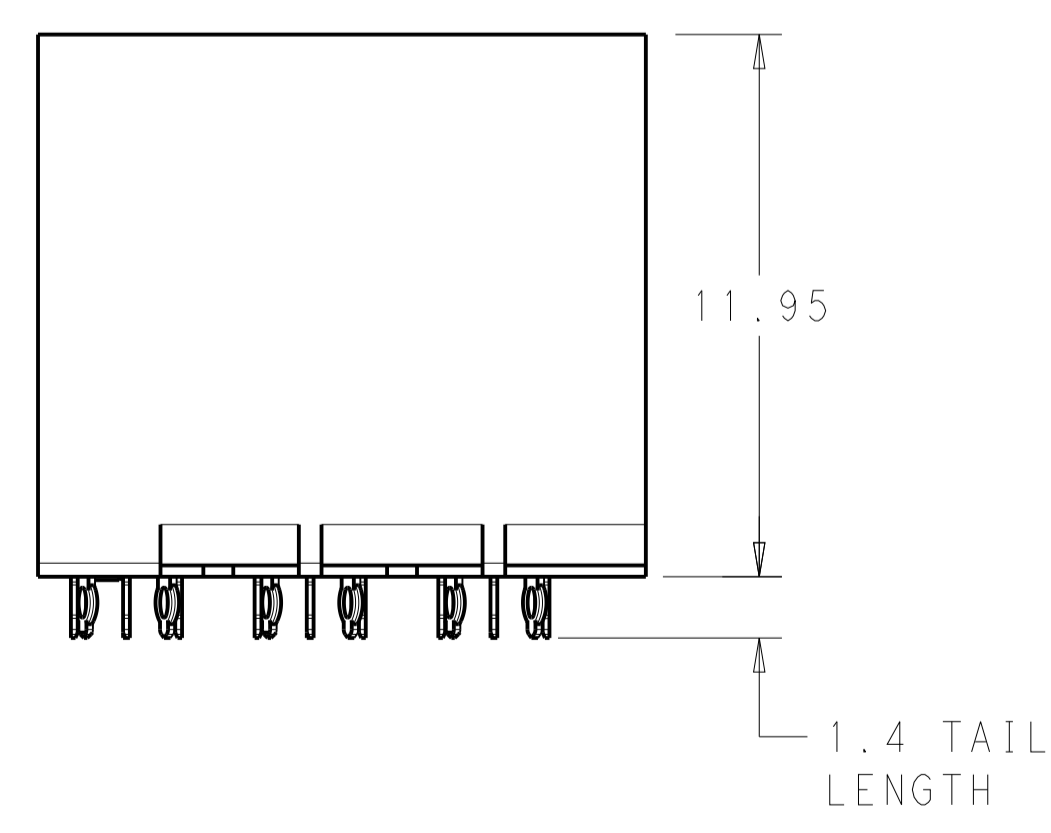
- 1 MATERIAL:
HOUSING: LCP, GLASS FILLED, UL94V-0.
TERMINALS: HIGH PERFORMANCE COPPER ALLOY.
- 2 FINISH:
30μ" MIN GOLD IN CONTACT AREA. SELECTIVE TIN ON PCB TAILS, NICKEL OVERALL.



72X $\varnothing 0.39 \pm 0.08$
PLATED THRU HOLE

72X $\varnothing 0.48 \pm 0.013$
DRILL HOLE
 $\varnothing 0.10$

UNGUIDED
BACKPLANE HOLE PATTERN
(CONNECTOR SIDE)



REFER TO WWW.TE.COM
FOR PRODUCT AVAILABILITY

FINISH	5.5	2132600-2
DIM M	4.9	2132600-1
PART NUMBER		

THIS DRAWING IS A CONTROLLED DOCUMENT.		OWN: HIRAN HOLLAND 05APR2013	NAME: IMPACT, ORTHOGONAL, 4 PAIR, 6 COLUMN HEADER, UNGUIDED, RIGHT END WALL SIGNAL MODULE, 0.39 PTH
DIMENSIONS: mm		CHK: D. DIXON 05APR2013	PRODUCT SPEC
TOLERANCES UNLESS OTHERWISE SPECIFIED:		APVD: D. DIXON 05APR2013	APPLICATION SPEC
0 PLC ±		SIZE: CAGE CODE DRAWING NO	RESTRICTED TO
1 PLC ±0.25		WEIGHT	A100779C=2132600
2 PLC ±0.13		CUSTOMER DRAWING	SCALE 6:1 SHEET 1 OF 1 REV C
3 PLC ±			
4 PLC ±			
ANGLES ±			
FINISH: SEE TABLE			