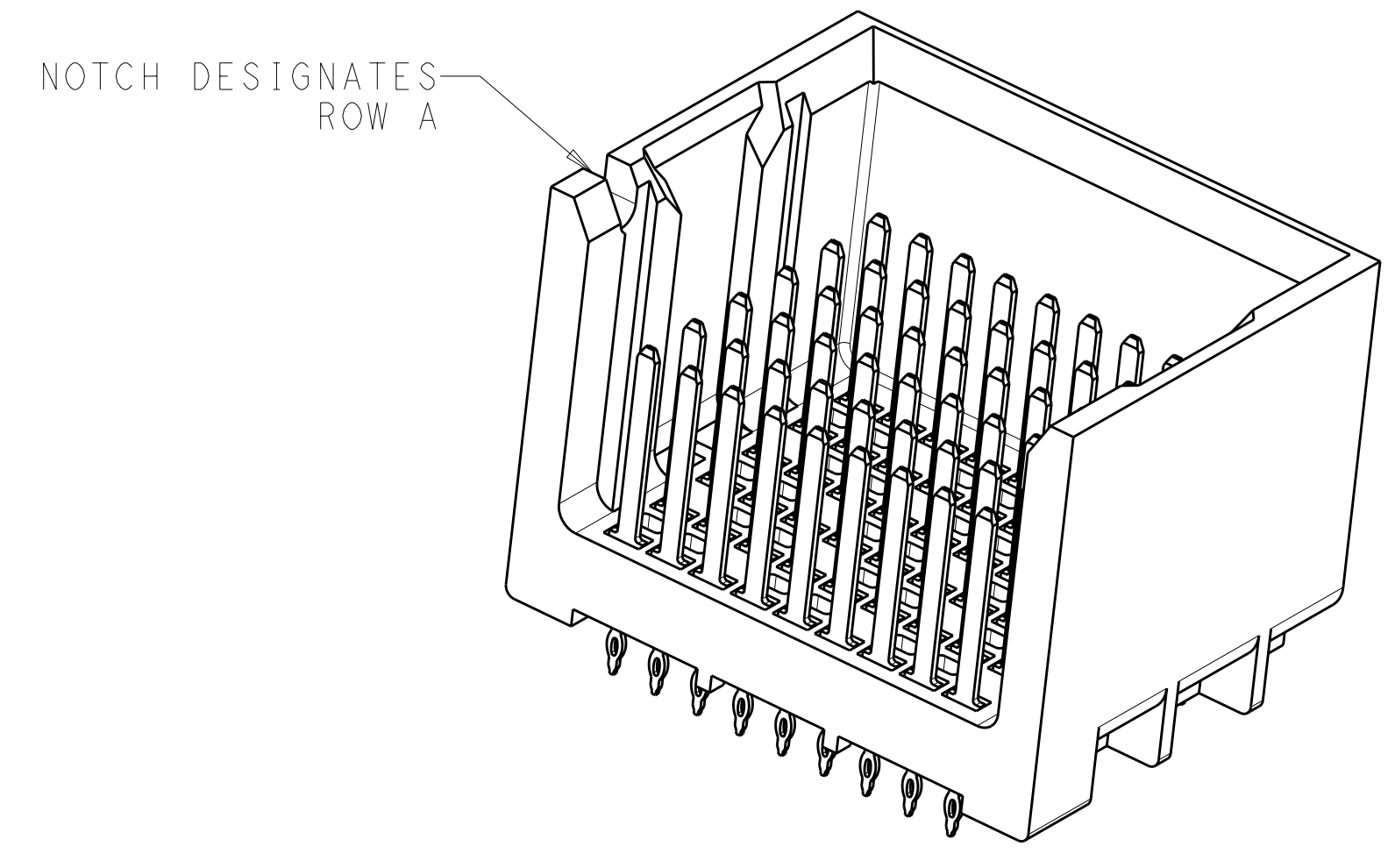
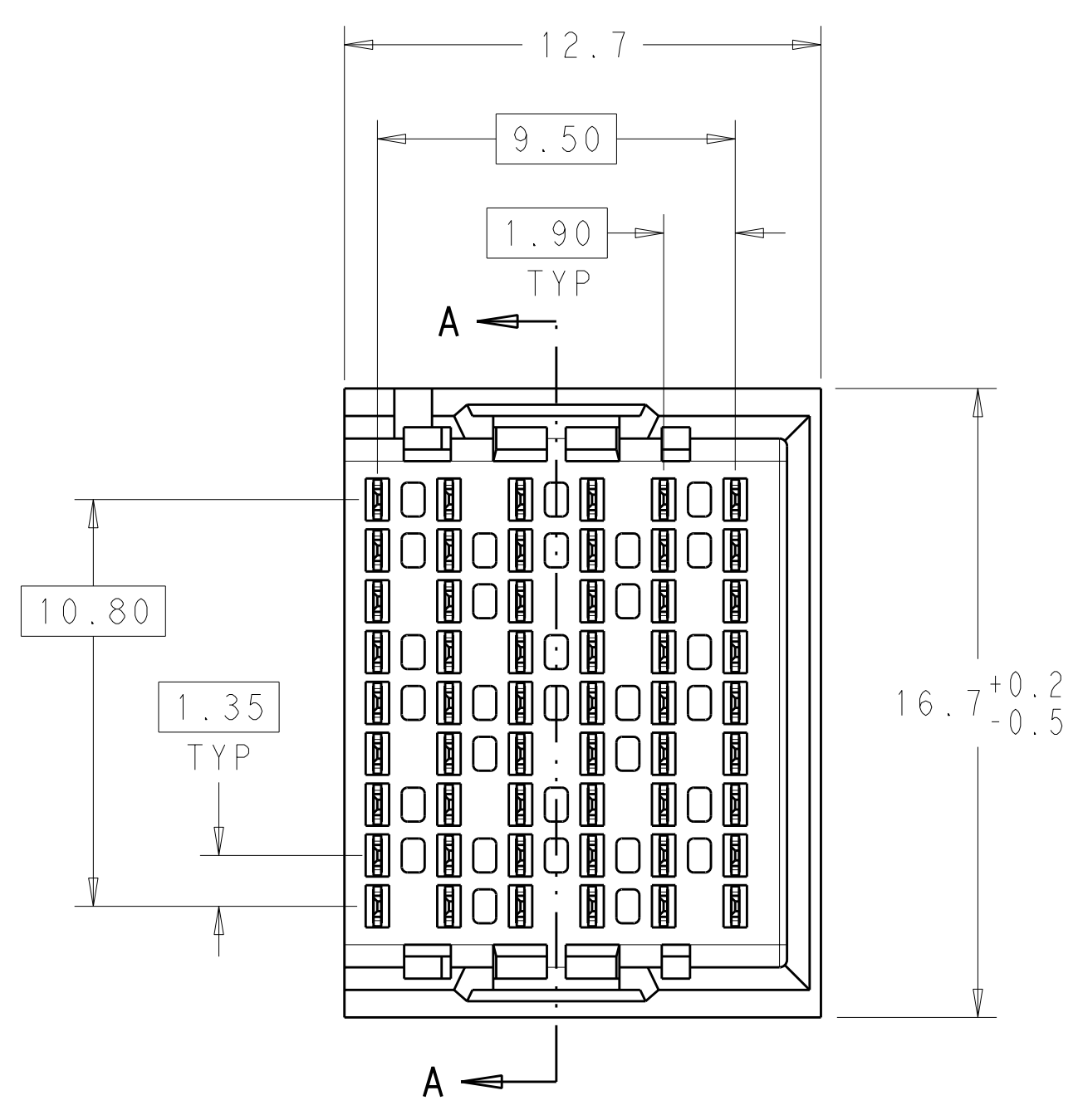
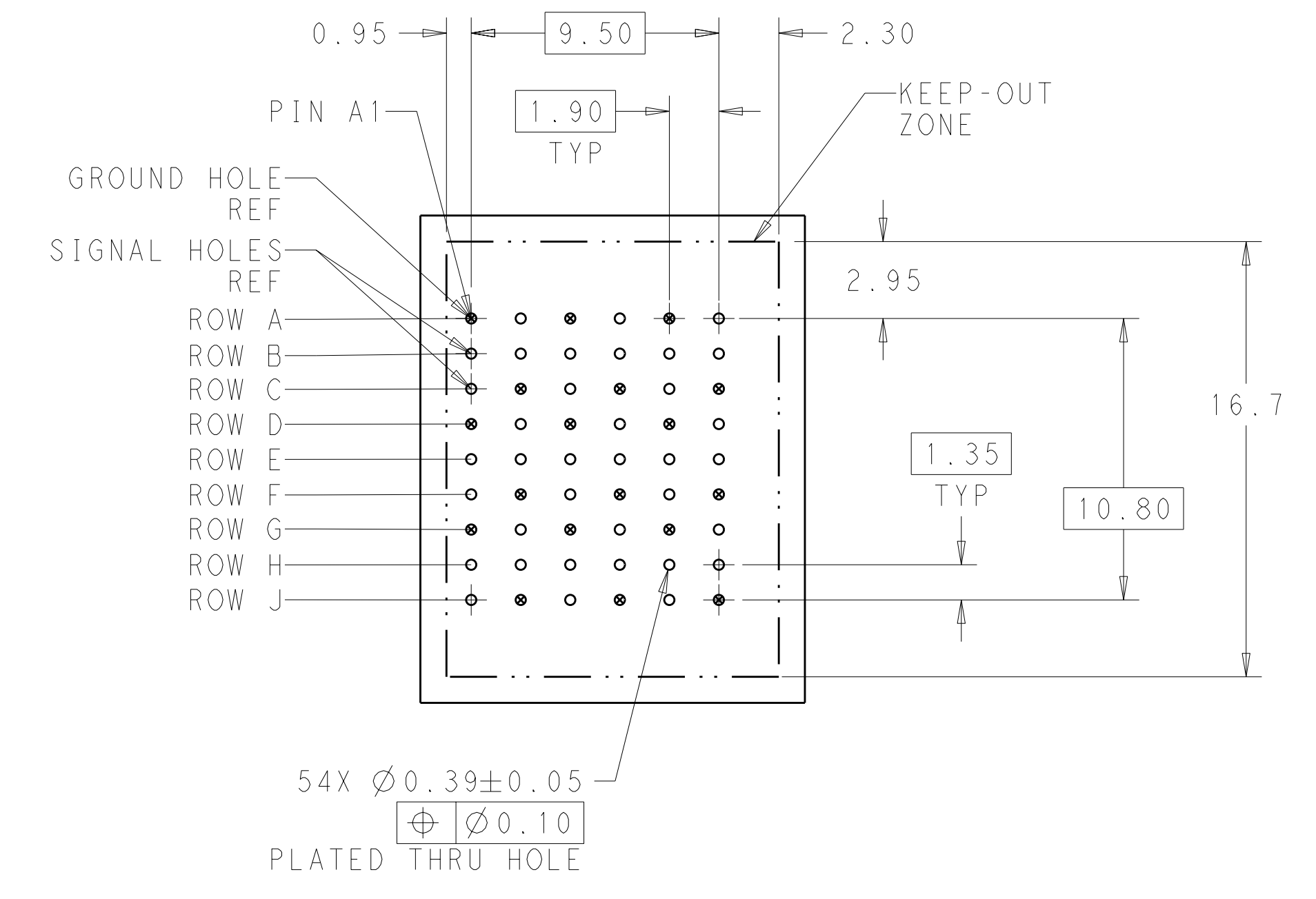


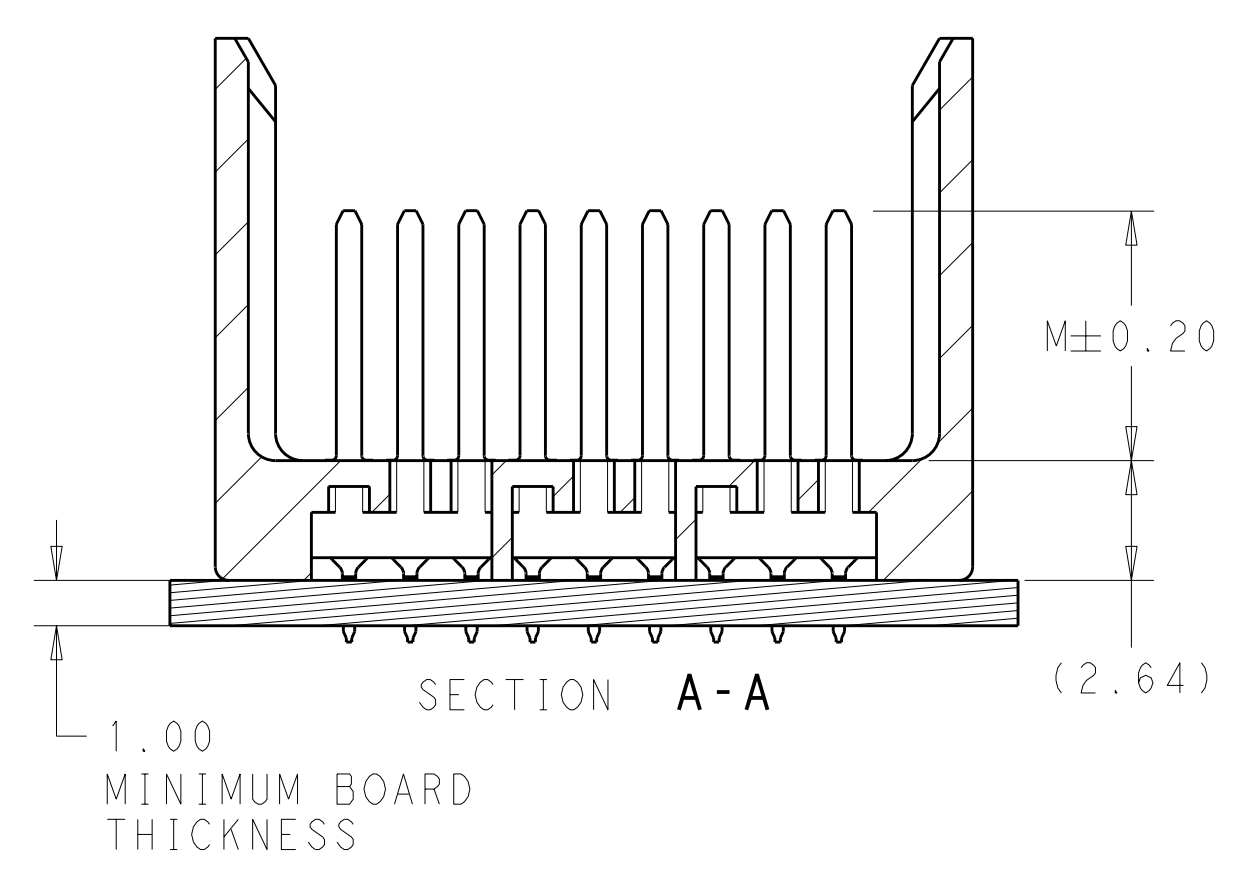
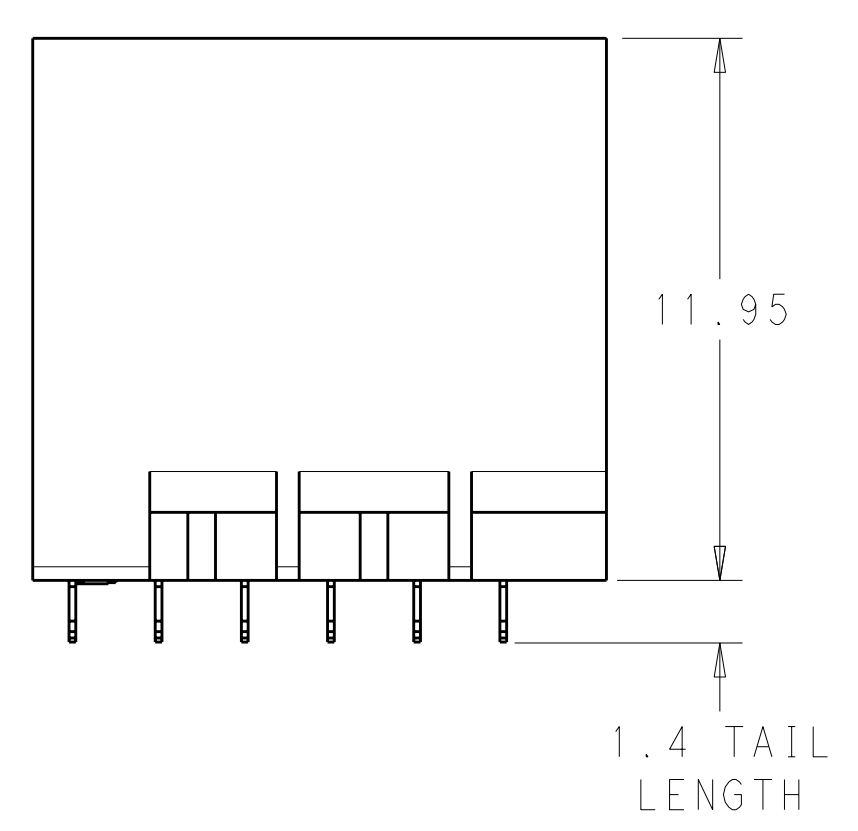
LOC	DIST	REVISIONS			
AD	00	REV	DATE	BY	APPD
		2	05JAN2011	JKS	JE
		A	28FEB2012	BC	DY



- 1 MATERIAL:
HOUSING: LCP, GLASS FILLED, UL94V-0.
TERMINALS: HIGH PERFORMANCE COPPER ALLOY.
- 2 FINISH:
30μ" MIN GOLD IN CONTACT AREA. SELECTIVE TIN
ON PCB TAILS, NICKEL OVERALL.
- 3 FINISH:
30μ" MIN GOLD IN CONTACT AREA. SELECTIVE TIN-LEAD
ON PCB TAILS, NICKEL OVERALL.



UNGUIDED
 BACKPLANE HOLE PATTERN
 (CONNECTOR SIDE)



THIS DRAWING IS A CONTROLLED DOCUMENT.		DWN J. K. SHOBER	05JAN2011	TE Connectivity
DIMENSIONS:		CHK J. EABY	05JAN2011	
mm	TOLERANCES UNLESS OTHERWISE SPECIFIED:	APVD J. EABY	05JAN2011	NAME IMPACT, 3 PAIR, 6 COLUMN, HEADER UNGUIDED, RIGHT END WALL SIGNAL MODULE, 0.39 PTH
0 PLC ± 1 PLC ±0.25 2 PLC ±0.13 3 PLC ± 4 PLC ± ANGLES ± FINISH SEE TABLE		PRODUCT SPEC	APPLICATION SPEC	SIZE CAGE CODE DRAWING NO A1100779C=2132541
MATERIAL		WEIGHT	CUSTOMER DRAWING	RESTRICTED TO
			SCALE 6:1	SHEET 1 OF 2

THIS DRAWING IS UNPUBLISHED. RELEASED FOR PUBLICATION 20
 © COPYRIGHT 20 BY . ALL RIGHTS RESERVED.

LOC	DIST	REVISIONS				
AD	00	P	LTG	DATE	DWN	APVD
		-	-	SEE SHEET 1	-	-

FINISH	DIM M	PART NUMBER
\triangle_3	5.5	2132541-6
\triangle_3	4.9	2132541-5
\triangle_3	4.5	2132541-4
\triangle_2	5.5	2132541-3
\triangle_2	4.9	2132541-2
\triangle_2	4.5	2132541-1

REFER TO WWW.TE.COM
FOR PRODUCT AVAILABILITY

THIS DRAWING IS A CONTROLLED DOCUMENT.		DWN J. K. SHOBER 05JAN2011	
DIMENSIONS: mm		CHK J. EABY 05JAN2011	
TOLERANCES UNLESS OTHERWISE SPECIFIED: 9 PLC ± 7 PLC ±0.25 5 PLC ±0.13 4 PLC ± ANGLES ± FINISH SEE TABLE		APVD J. EABY 05JAN2011	NAME IMPACT, 3 PAIR, 6 COLUMN, HEADER UNGUIDED, RIGHT END WALL SIGNAL MODULE, 0.39 PTH
MATERIAL -	SEE TABLE	PRODUCT SPEC -	APPLICATION SPEC -
CUSTOMER DRAWING		WEIGHT -	RESTRICTED TO -
SCALE 5:1		SHEET 2 OF 2	REV A