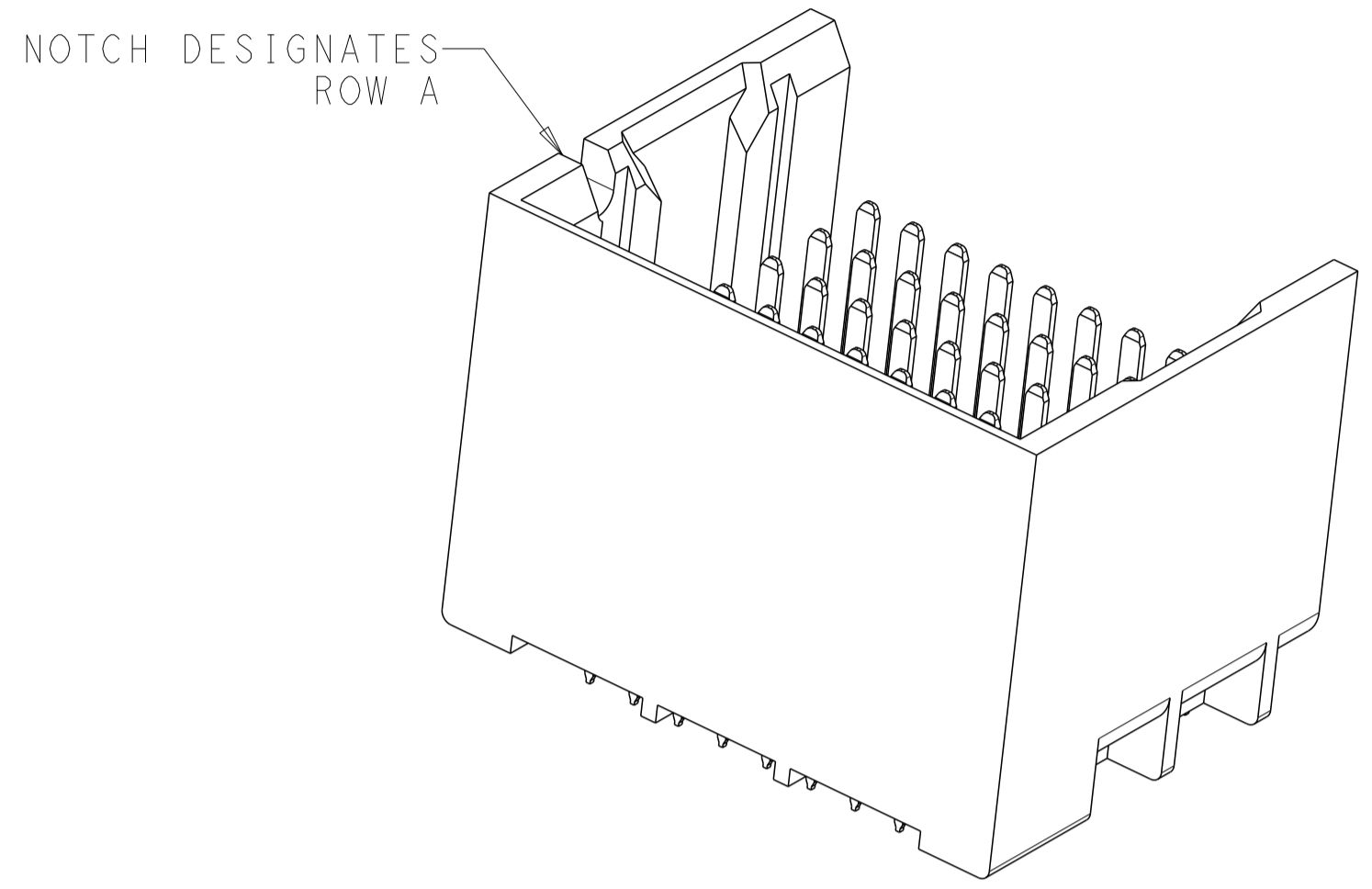
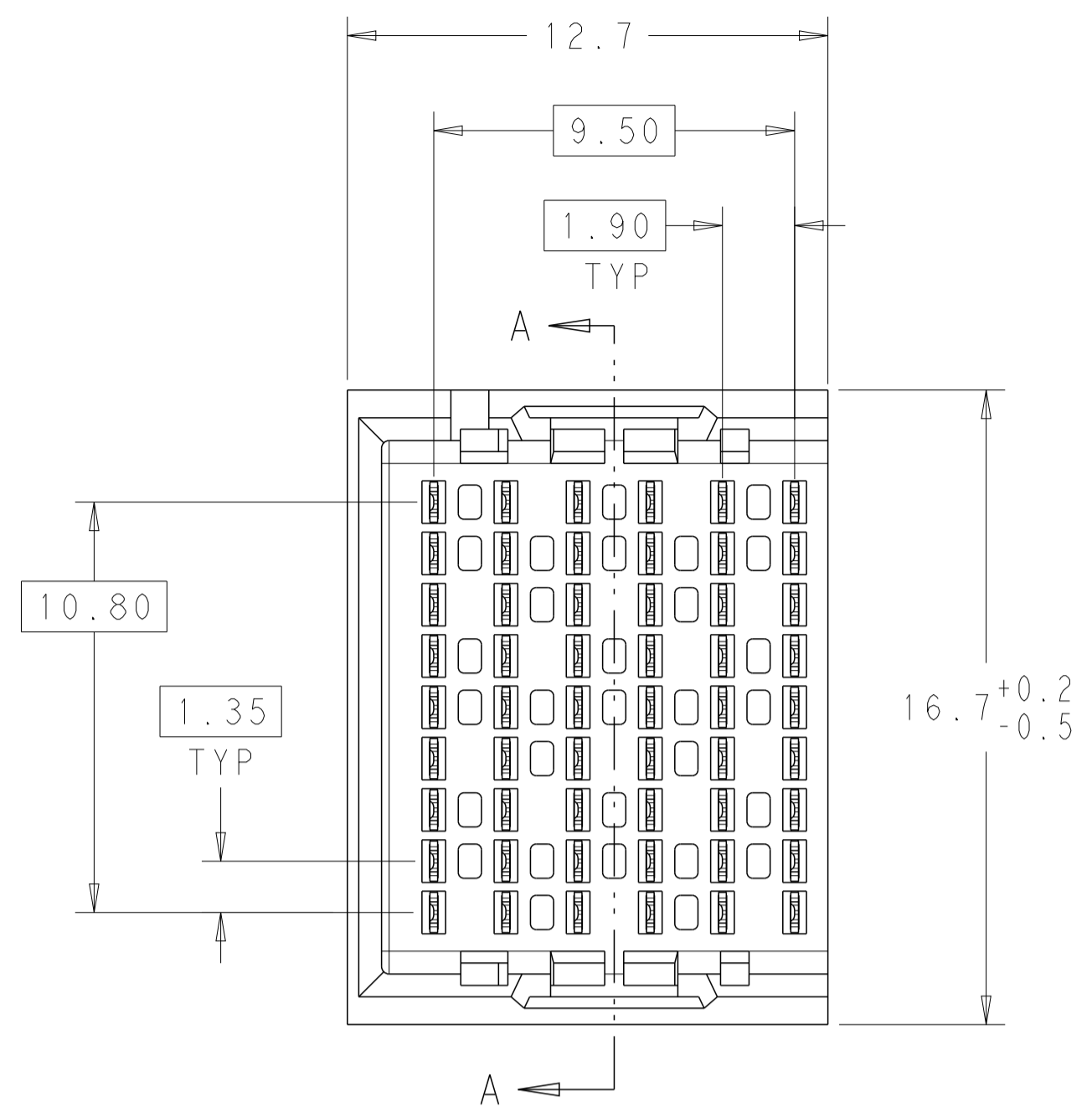
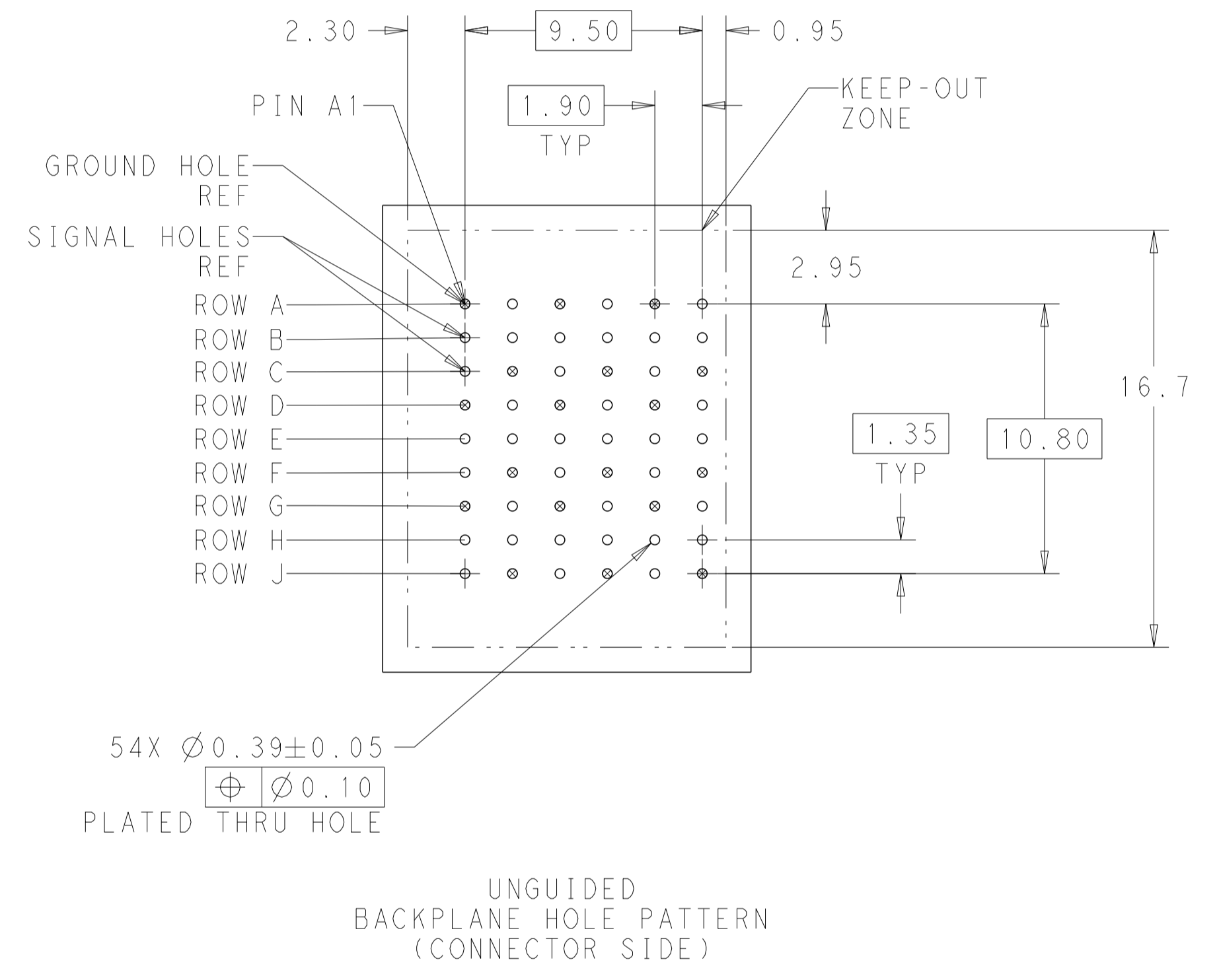


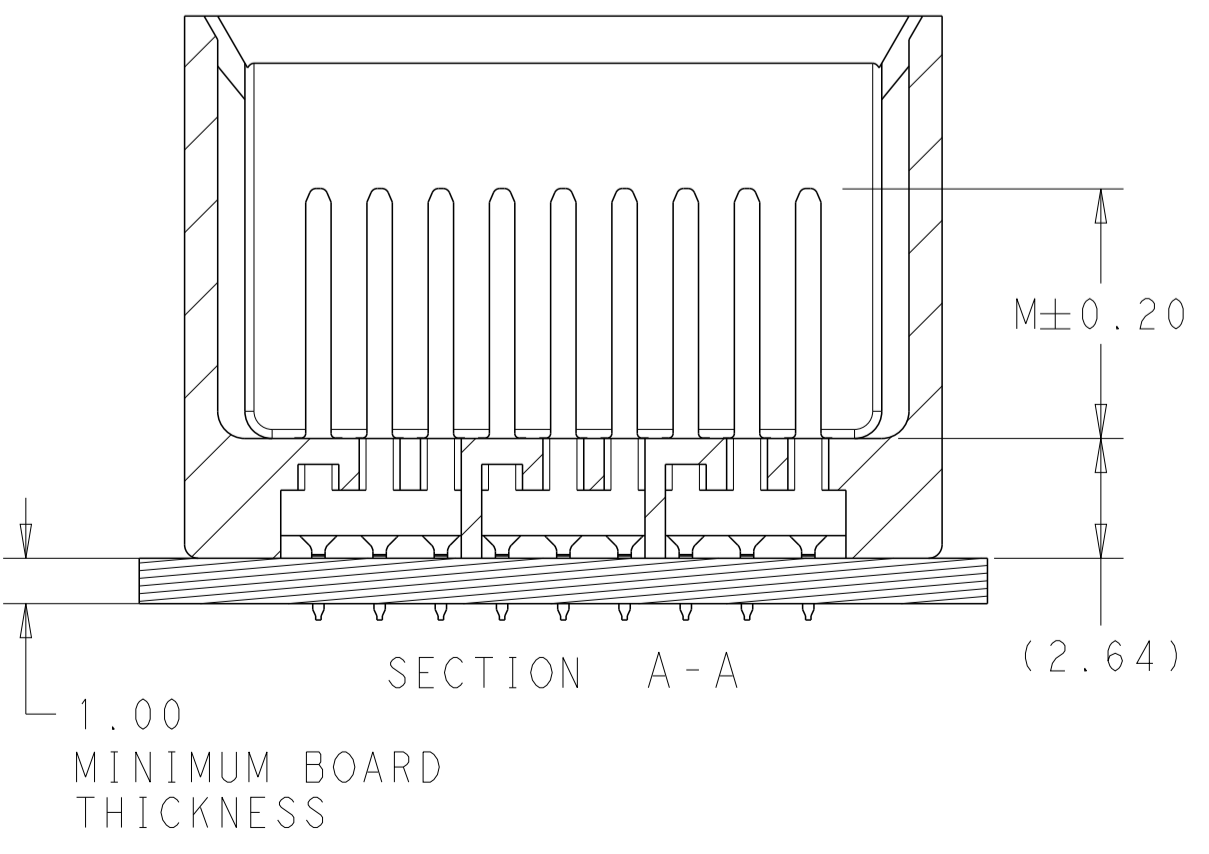
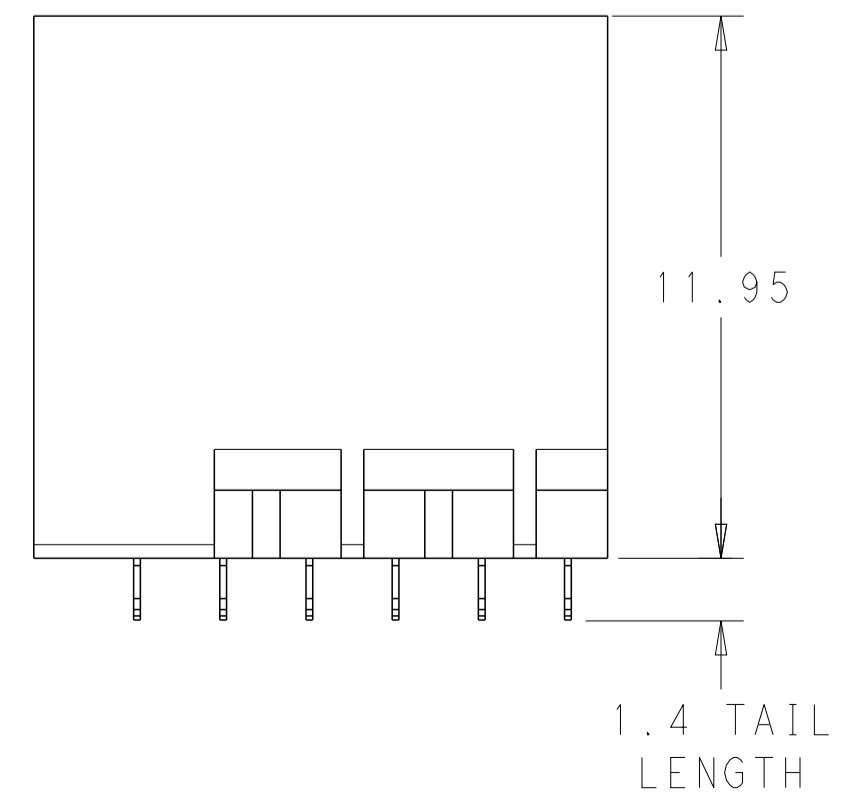
LOC	DIST	REVISIONS			
P	LTN	DESCRIPTION	DATE	DWN	APVD
B		REVISED PER ECO-12-020318	21NOV2012	KH	DD
B1		REVISED PER ECN-24-252171	22FEB2024	AP	RS



- ⚠ MATERIAL:  
HOUSING: LCP, GLASS FILLED, UL94V-0.  
TERMINALS: HIGH PERFORMANCE COPPER ALLOY.
- ⚠ FINISH:  
30μ" MIN GOLD IN CONTACT AREA. SELECTIVE TIN ON PCB TAILS, NICKEL OVERALL.
- ⚠ FINISH:  
30μ" MIN GOLD IN CONTACT AREA. SELECTIVE TIN-LEAD ON PCB TAILS, NICKEL OVERALL.



UNGUIDED  
BACKPLANE HOLE PATTERN  
(CONNECTOR SIDE)



THIS DRAWING IS A CONTROLLED DOCUMENT.		DWN J.K.SHOBER 05JAN2011	TE Connectivity
DIMENSIONS: mm		CHK J. EARY 05JAN2011	
TOLERANCES UNLESS OTHERWISE SPECIFIED:		APVD J. EARY 05JAN2011	NAME IMPACT, 3 PAIR, 6 COLUMN, HEADER UNGUIDED, LEFT END WALL SIGNAL MODULE, 0.39 PTH
0 PLC ±0.25	1 PLC ±0.13	PRODUCT SPEC	SIZE CAGE CODE DRAWING NO RESTRICTED TO
2 PLC ±0.13	3 PLC ±0.13	APPLICATION SPEC	A100779C=2132539
4 PLC ±0.13	ANGLES ±0.13	WEIGHT	SCALE 6:1 SHEET 1 OF 2 REV B1
MATERIAL SEE TABLE		CUSTOMER DRAWING	

THIS DRAWING IS UNPUBLISHED. RELEASED FOR PUBLICATION 20  
 © COPYRIGHT 20 BY - ALL RIGHTS RESERVED.

LOC	DIST	REVISIONS					
		P	LTN	DESCRIPTION	DATE	DWN	APVD
AD	00	-		SEE SHEET 1	-	-	-

FINISH	DIM M	PART NUMBER	
3	5.5	2132539-6	OBSOLETE
3	4.9	2132539-5	
3	4.5	2132539-4	
2	5.5	2132539-3	OBSOLETE
2	4.9	2132539-2	
2	4.5	2132539-1	

REFER TO WWW.TE.COM  
FOR PRODUCT AVAILABILITY

THIS DRAWING IS A CONTROLLED DOCUMENT.		DWN J. K. SHOBER 05JAN2011	
DIMENSIONS: mm		CHK J. EARY 05JAN2011	
TOLERANCES UNLESS OTHERWISE SPECIFIED: 0 PLC ± 1 PLC ±0.25 2 PLC ±0.13 3 PLC ± 4 PLC ± ANGLES ± FINISH SEE TABLE		APVD J. EARY 05JAN2011	NAME IMPACT, 3 PAIR, 6 COLUMN, HEADER UNGUIDED, LEFT END WALL SIGNAL MODULE, 0.39 PTH
MATERIAL -		PRODUCT SPEC -	APPLICATION SPEC -
-		WEIGHT -	RESTRICTED TO -
CUSTOMER DRAWING		SCALE 5:1	SHEET 2 OF 2
		REV B1	