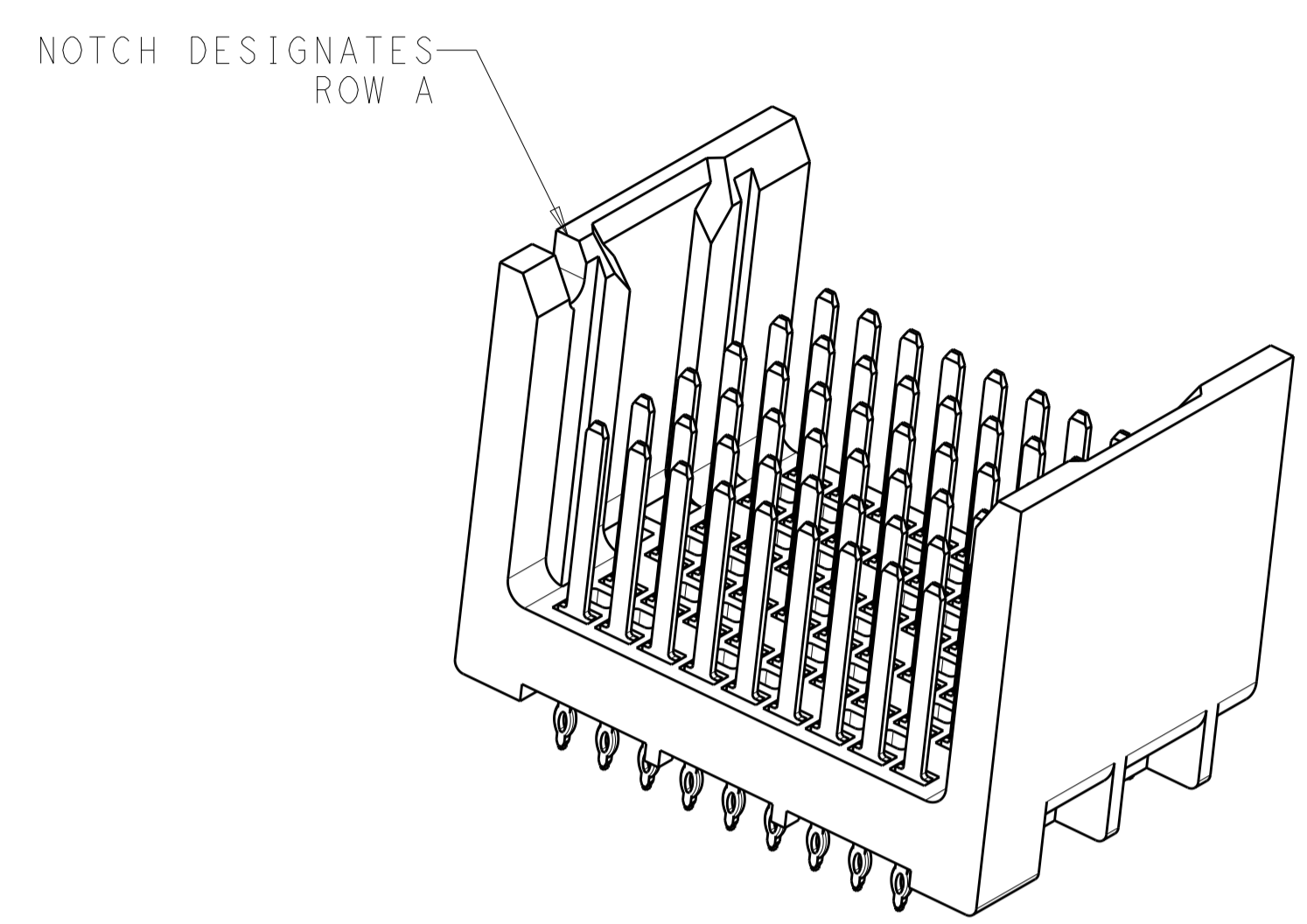
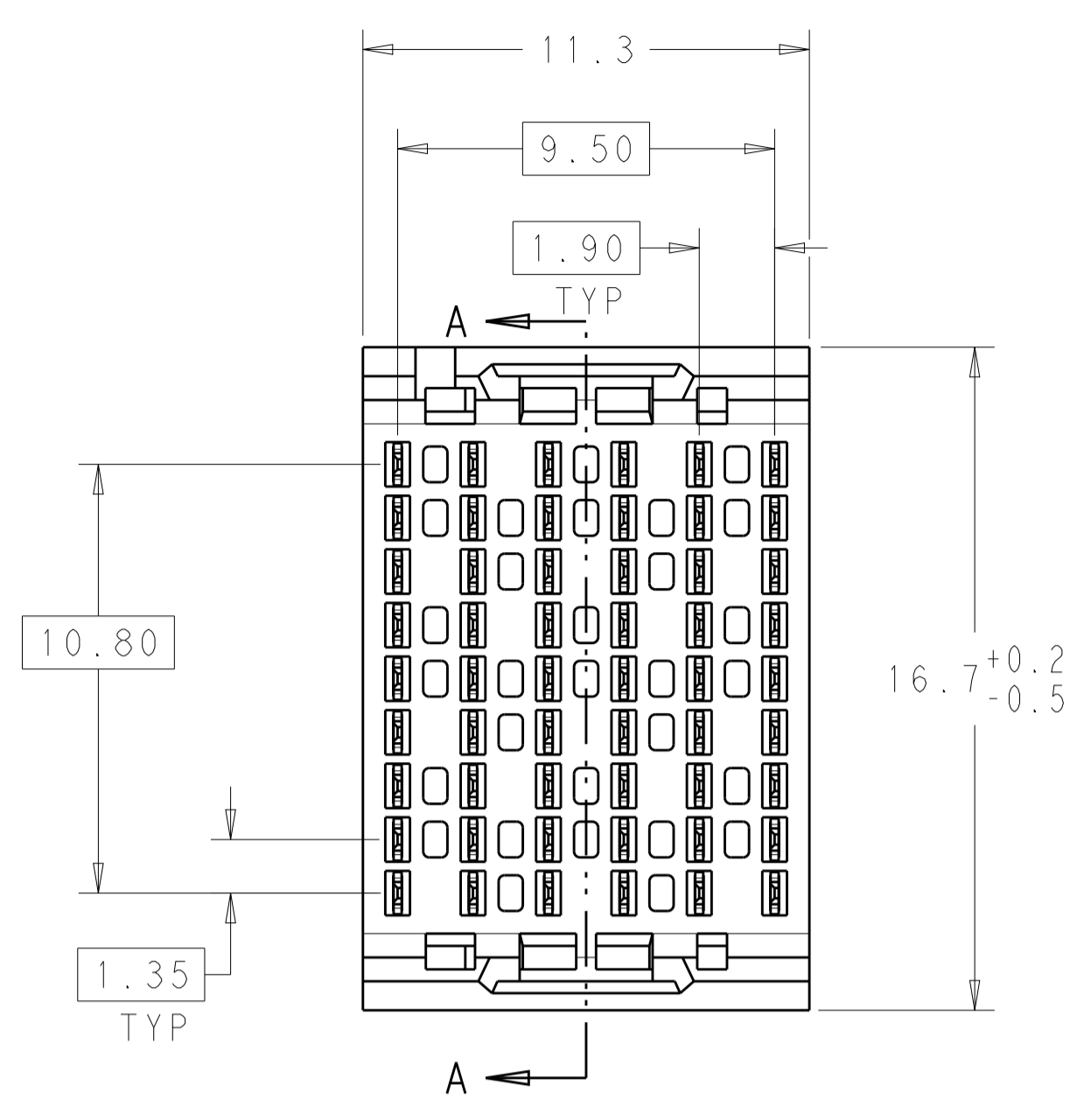
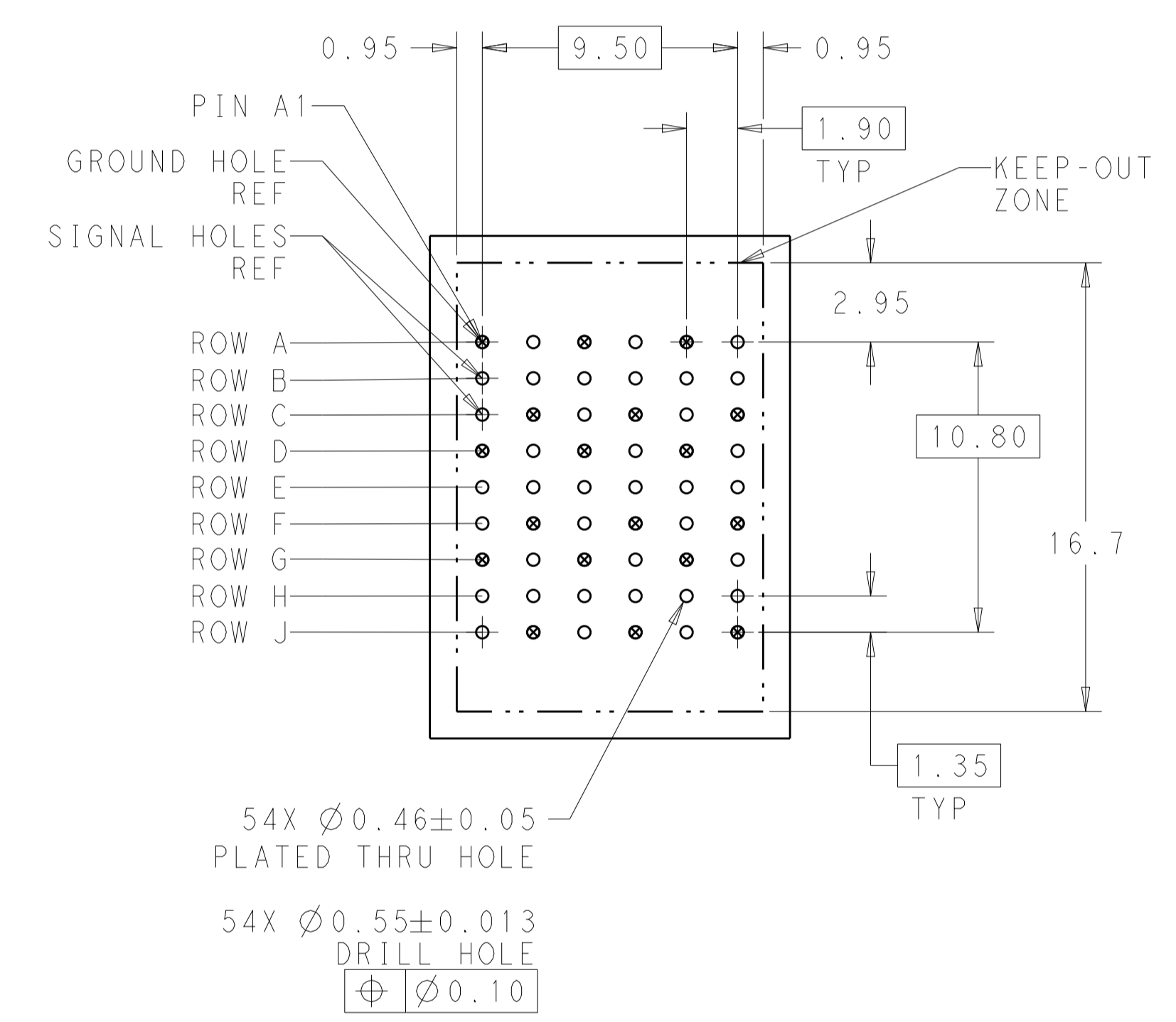


LOC		DIST		REVISIONS			
AD	00	P	LTN	DESCRIPTION	DATE	DWN	APVD
		C1		REVISED PER ECO-13-009968	21JUN2013	KH	DD

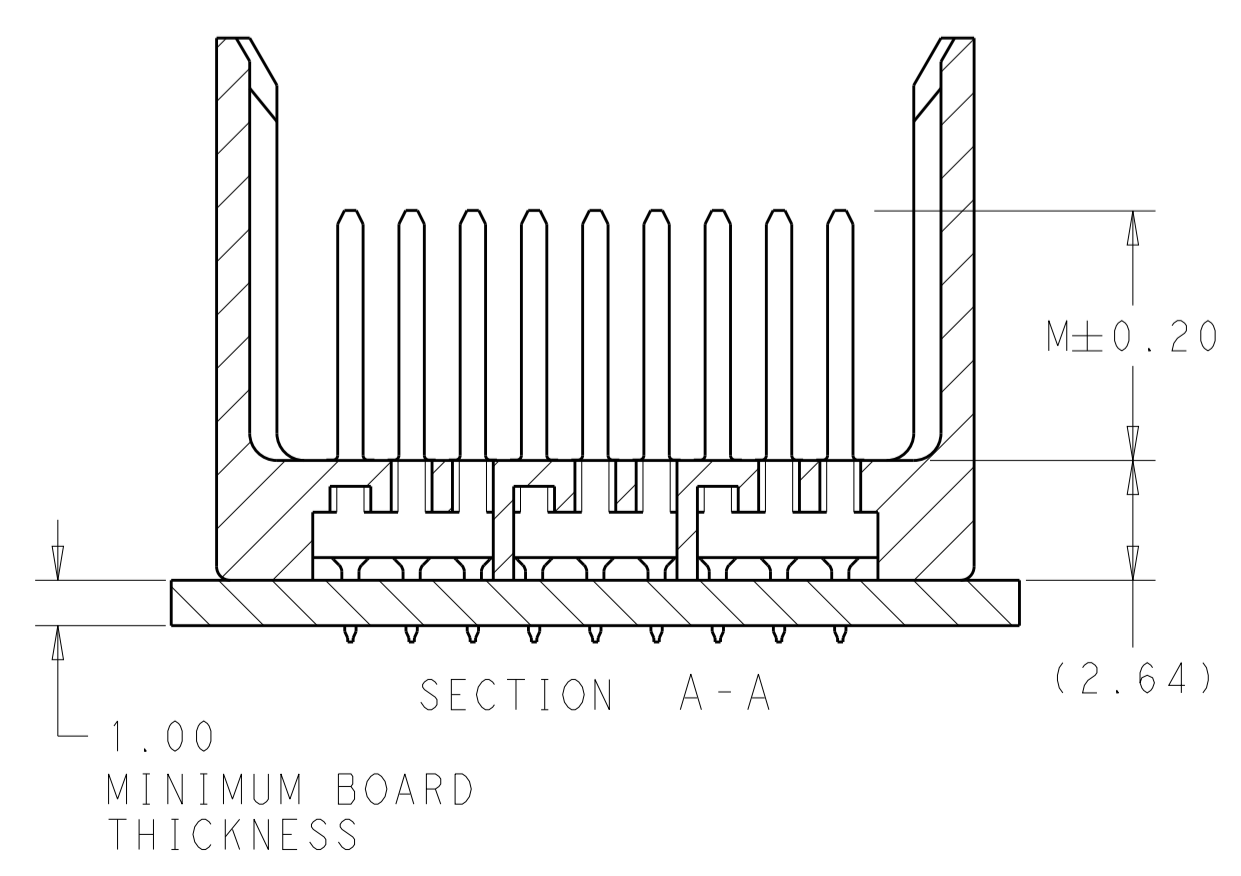
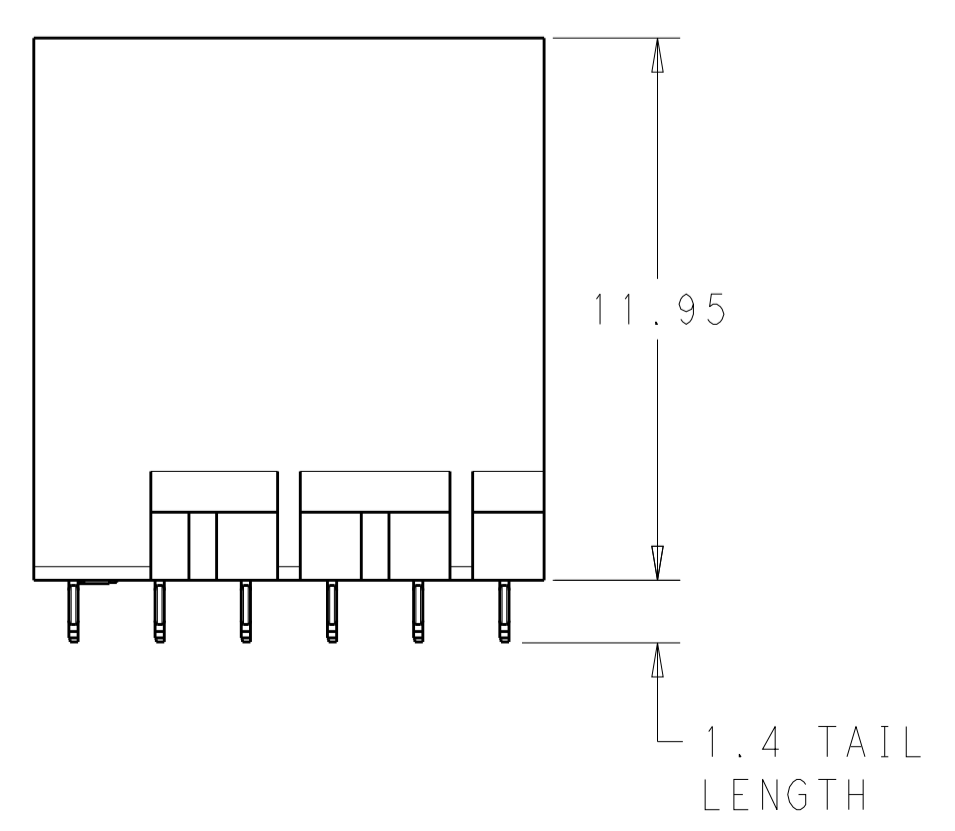


- ⚠ MATERIAL:  
HOUSING: LCP, GLASS FILLED, UL94V-0.  
TERMINALS: HIGH PERFORMANCE COPPER ALLOY.
- ⚠ FINISH:  
30μ" MIN GOLD IN CONTACT AREA. SELECTIVE TIN ON PCB TAILS, NICKEL OVERALL.
- ⚠ FINISH:  
30μ" MIN GOLD IN CONTACT AREA. SELECTIVE TIN-LEAD ON PCB TAILS, NICKEL OVERALL.



54X Ø0.46±0.05  
PLATED THRU HOLE  
 54X Ø0.55±0.013  
DRILL HOLE  
 ⊕ Ø0.10

UNGUIDED  
BACKPLANE HOLE PATTERN  
(CONNECTOR SIDE)




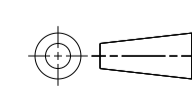
THIS DRAWING IS A CONTROLLED DOCUMENT.		DWN R. COELLO 04MAY2011	TE Connectivity
DIMENSIONS: mm		CHK J. EARY 04MAY2011	
TOLERANCES UNLESS OTHERWISE SPECIFIED:		APVD J. EARY 04MAY2011	NAME IMPACT, 3 PAIR, 6 COLUMN, HEADER UNGUIDED, OPEN END WALL SIGNAL MODULE, 0.46 PTH
0 PLC ± 1 PLC ±0.25 2 PLC ±0.13 3 PLC ± 4 PLC ± ANGLES ±		PRODUCT SPEC	SIZE A100779C=2132534
MATERIAL SEE TABLE		APPLICATION SPEC	RESTRICTED TO
FINISH SEE TABLE		WEIGHT	SCALE 6:1 SHEET 1 OF 2 REV C1
		Customer Drawing	

THIS DRAWING IS UNPUBLISHED. RELEASED FOR PUBLICATION 20  
 © COPYRIGHT 20 BY - ALL RIGHTS RESERVED.

LOC	DIST	REVISIONS					
		P	LTN	DESCRIPTION	DATE	DMN	APVD
AD	00	-		SEE SHEET 1	-	-	-

FINISH	DIM M	PART NUMBER
△3	5.5	2132534-6
△3	4.9	2132534-5
△3	4.5	2132534-4
△2	5.5	2132534-3
△2	4.9	2132534-2
△2	4.5	2132534-1

REFER TO WWW.TE.COM  
 FOR PRODUCT AVAILABILITY

THIS DRAWING IS A CONTROLLED DOCUMENT.		DMN R. COELLO 04MAY2011	 TE Connectivity
DIMENSIONS: mm		CHK J. EARY 04MAY2011	
 0 PLC ± 1 PLC ±0.25 2 PLC ±0.13 3 PLC ± 4 PLC ± ANGLES ±		APVD J. EARY 04MAY2011	
MATERIAL	FINISH SEE TABLE	PRODUCT SPEC	NAME IMPACT, 3 PAIR, 6 COLUMN, HEADER UNGUIDED, OPEN END WALL SIGNAL MODULE, 0.46 PTH
		APPLICATION SPEC	SIZE CAGE CODE DRAWING NO. RESTRICTED TO
		WEIGHT	A100779C=2132534
		Customer Drawing	SCALE 5:1 SHEET 2 OF 2 REV C1