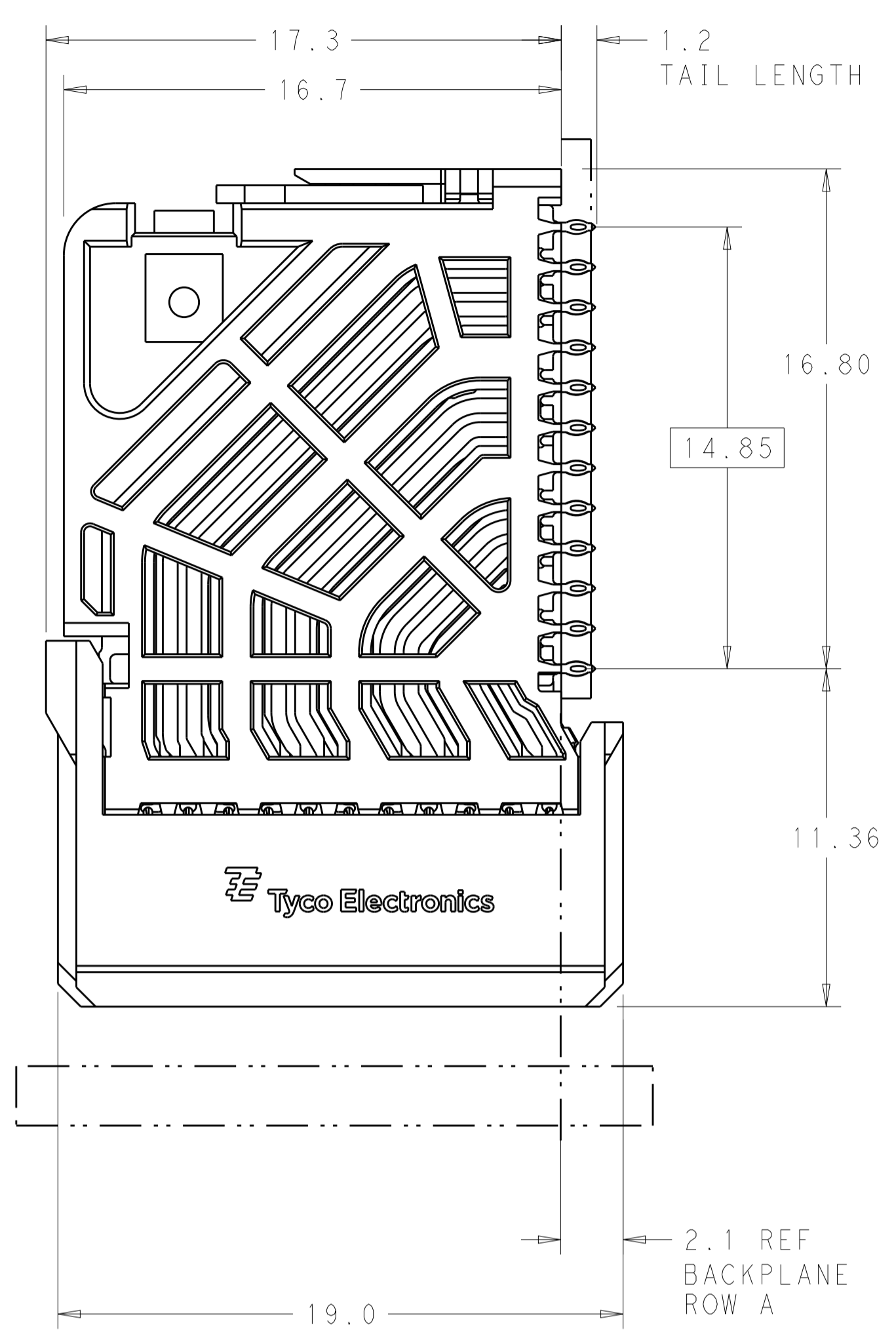
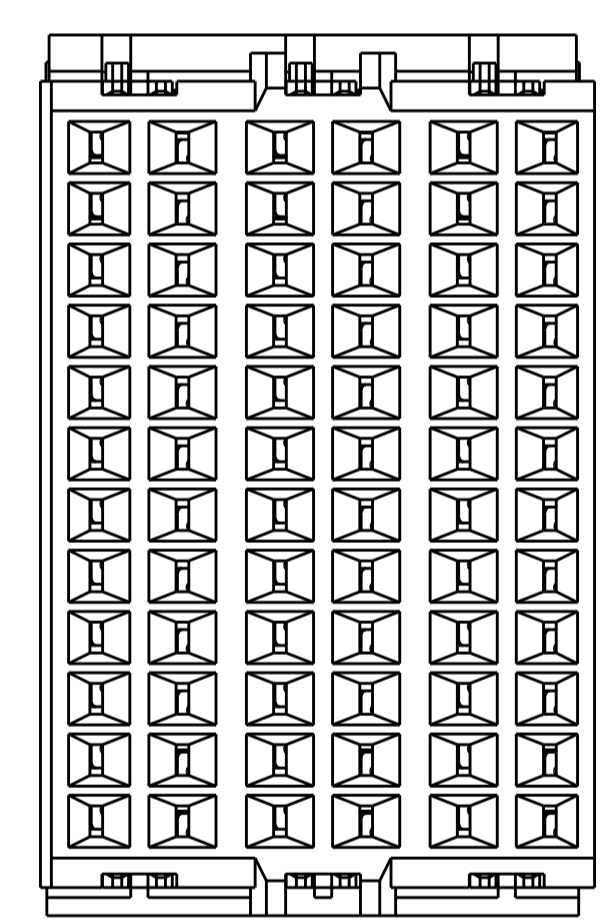
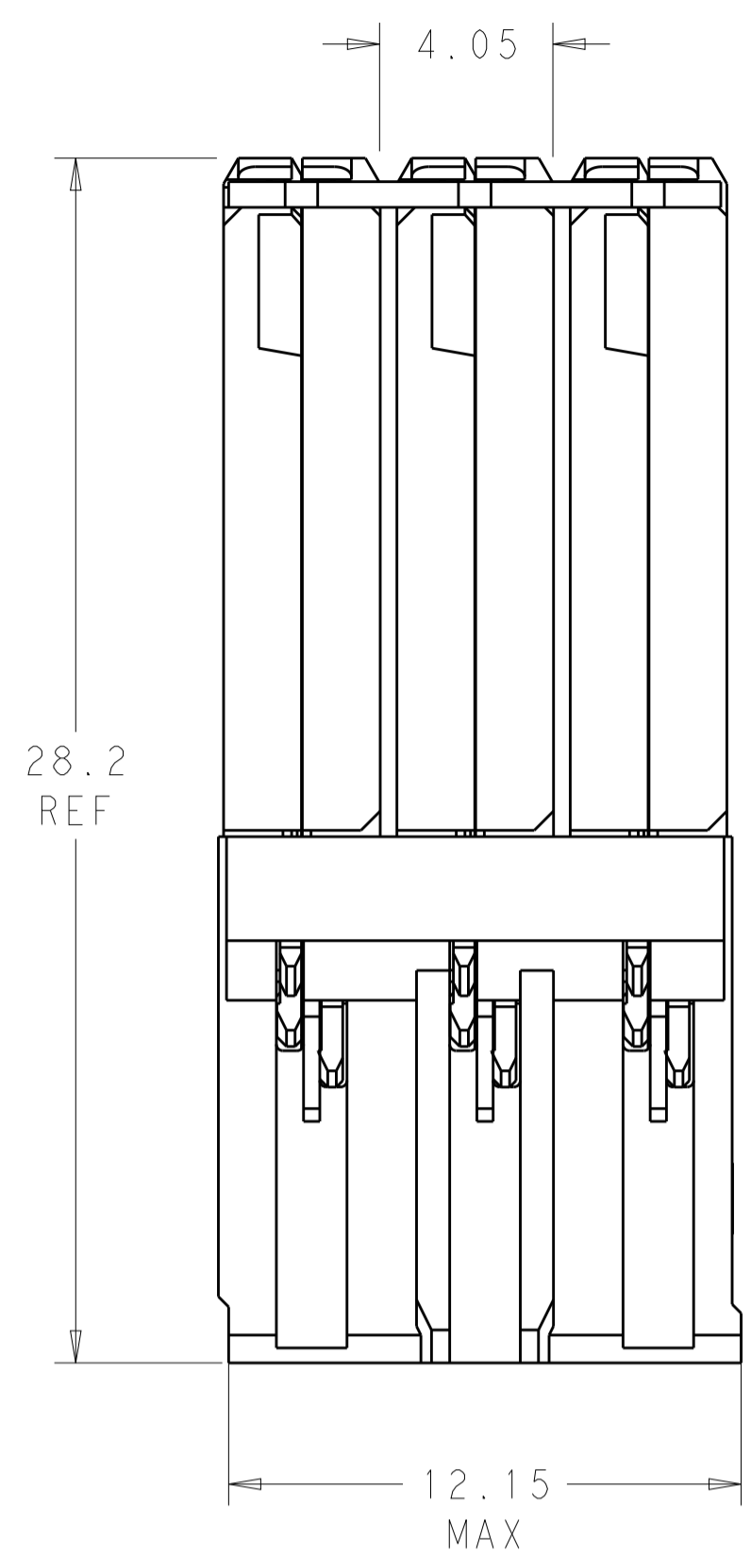
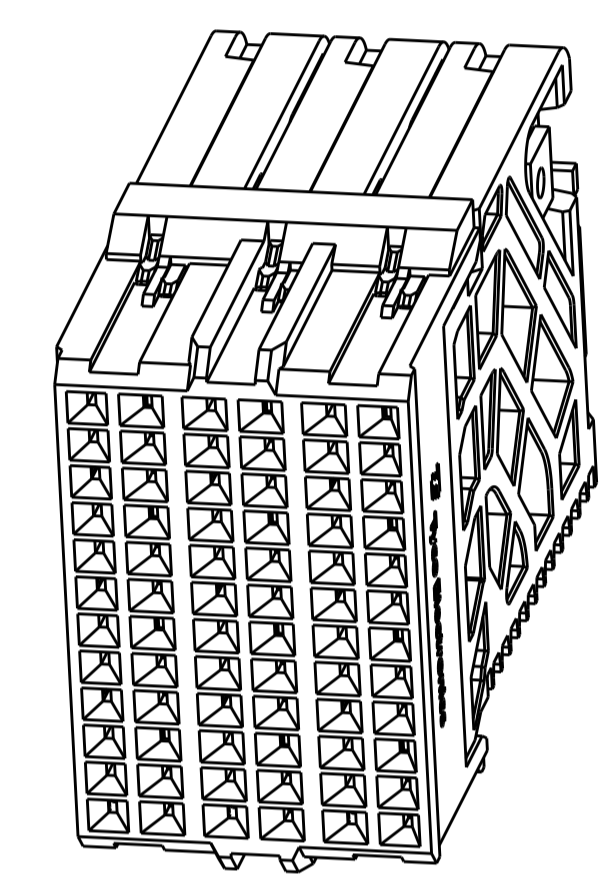


LOC	DIST	REVISIONS			
P	LTN	DESCRIPTION	DATE	DWN	APVD
A		DRAWING CREATED BY AUTOMATION PROGRAM	23MAY2015	AP	DD



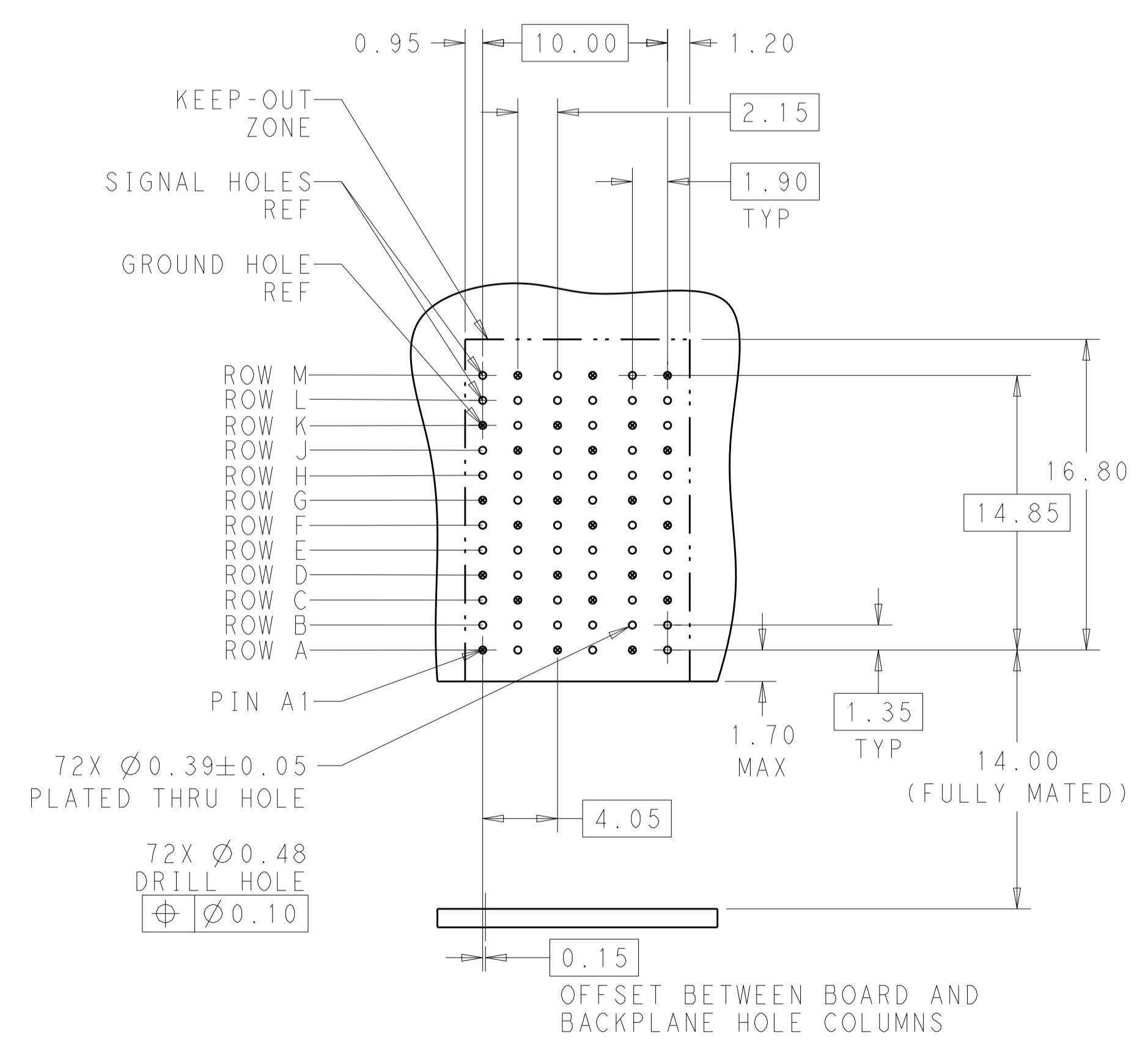
⚠ MATERIAL:  
 HOUSING: LCP, GLASS FILLED, UL94V-0.  
 TERMINALS: HIGH PERFORMANCE COPPER ALLOY.

⚠ FINISH:  
 30μ" SELECTIVE GOLD IN CONTACT AREA. SELECTIVE TIN  
 ON PCB TAILS, NICKEL OVERALL.



SCALE 4:1

REFER TO WWW.TE.COM  
 FOR PRODUCT AVAILABILITY



RECOMMENDED PCB LAYOUT  
 MIN BOARD THICKNESS 1.0

NONE	⚠	2132463-1
KEY POSITION	FINISH	PART NUMBER

THIS DRAWING IS A CONTROLLED DOCUMENT.		DWN AJITH PAI 23MAY2015		NAME	
DIMENSIONS:		CHK D. DIXON 23MAY2015		IMPACT, ORTHOGONAL, 4 PAIR, DAUGHTERCARD, 6 COLUMN, UNGUIDED SIGNAL MODULE, 0.39 EYELET.	
TOLERANCES UNLESS OTHERWISE SPECIFIED:		APVD D. DIXON 23MAY2015		SIZE CAGE CODE DRAWING NO	
mm		PRODUCT SPEC		RESTRICTED TO	
0 PLC ± 1 PLC ±0.25 2 PLC ±0.15 3 PLC ± 4 PLC ± ANGLES ±		APPLICATION SPEC	A100779C=2132463		
MATERIAL		WEIGHT	Customer Drawing		
SEE TABLE		SCALE 6:1	SHEET 1 OF 1 REV A		