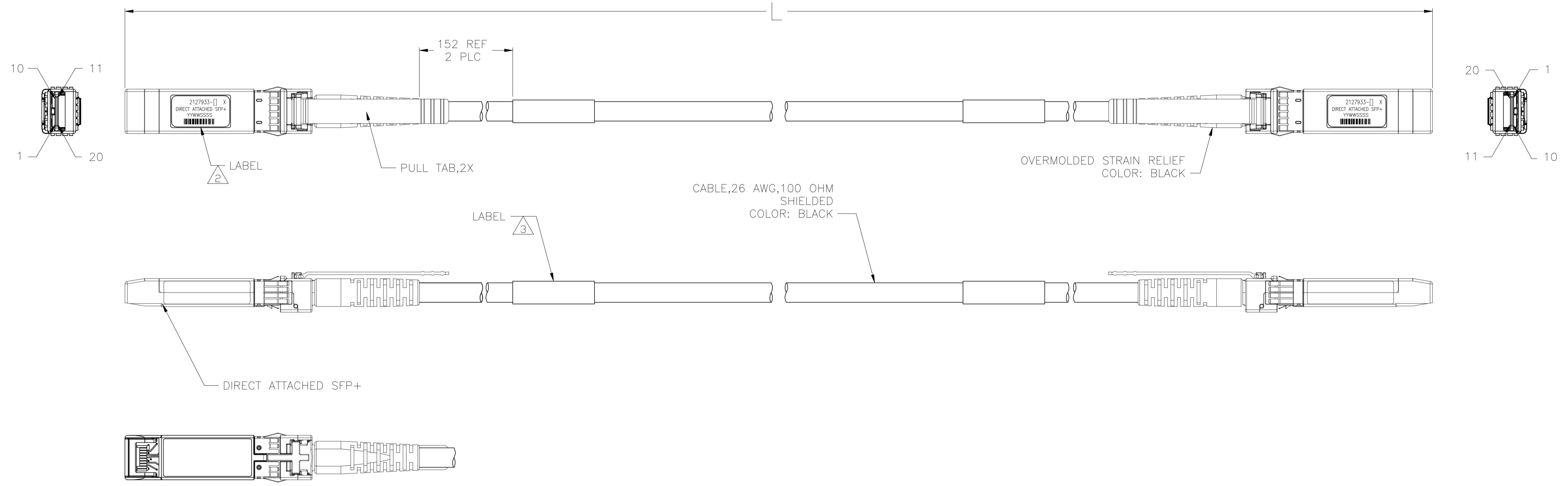
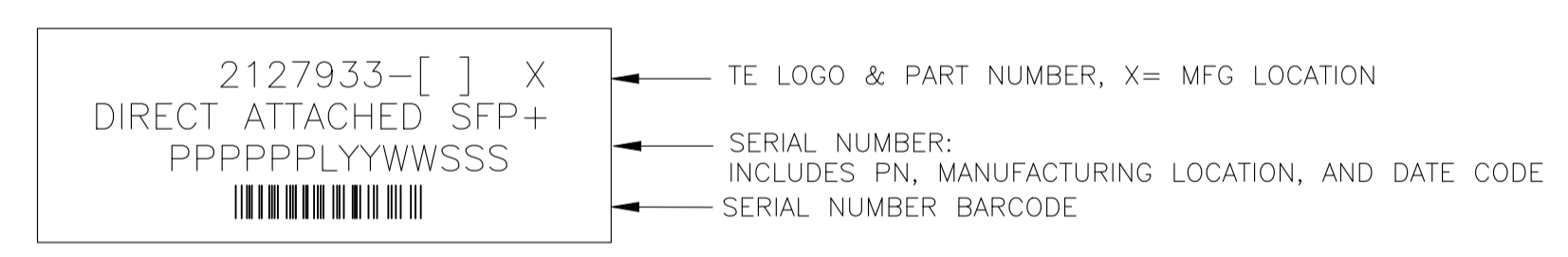


REVISIONS				
REV	DESCRIPTION	DATE	BY	APP'D
E	REVISED AS PER ECN-22-161399	28JUN2022	KK	AK

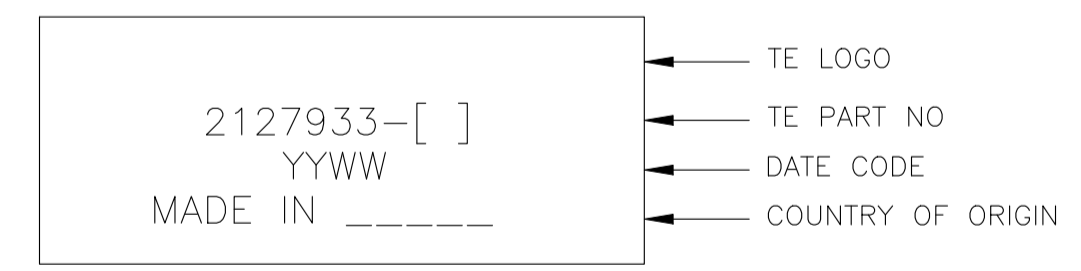


1. CHARACTERISTIC IMPEDANCE: 100±10 OHMS (MEASURED DIFFERENTIALLY).

2 LABEL INFORMATION:



3 LABEL INFORMATION:



4. SEE SHEET 2 FOR WIRING SCHEMATIC.

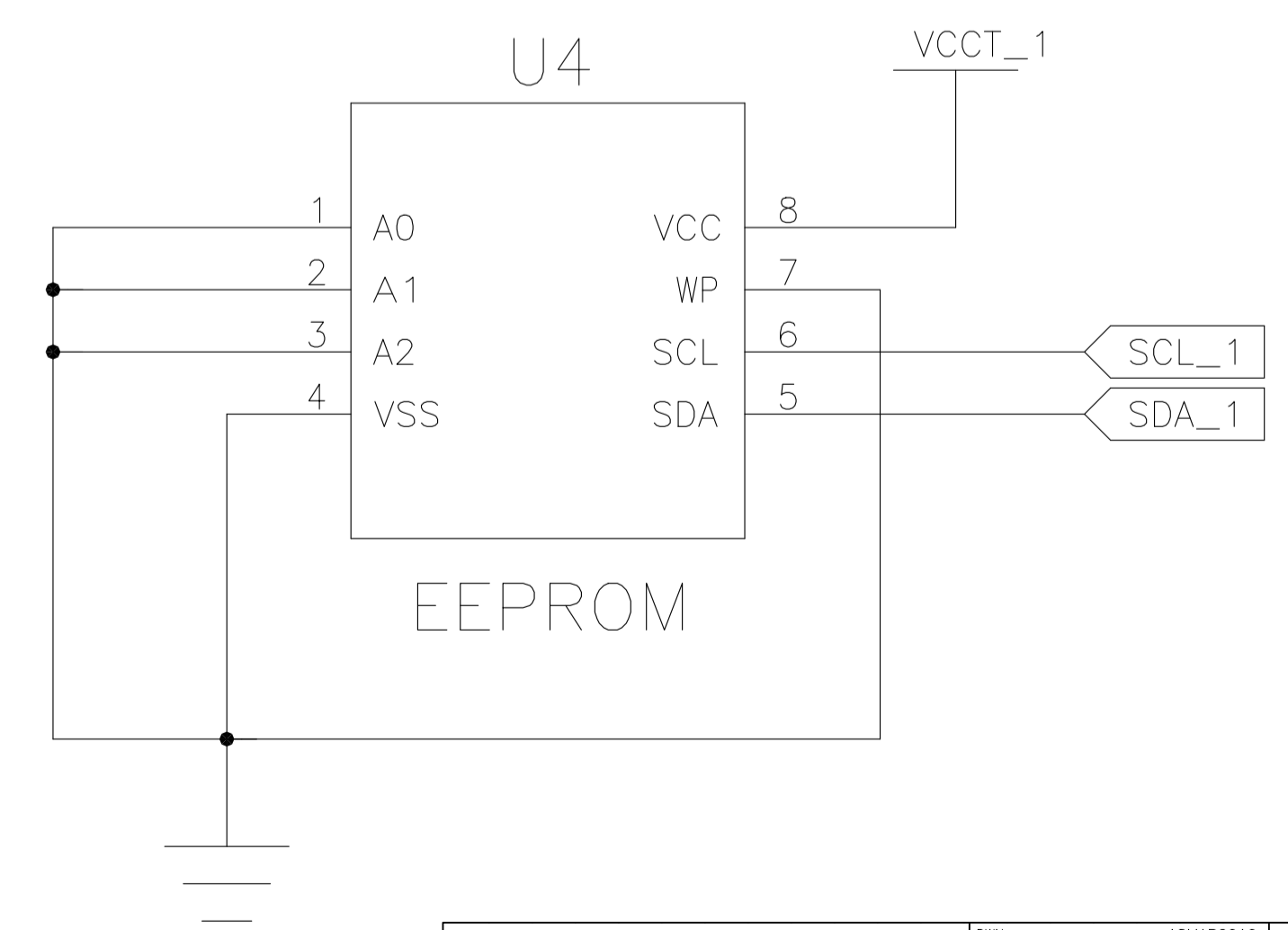
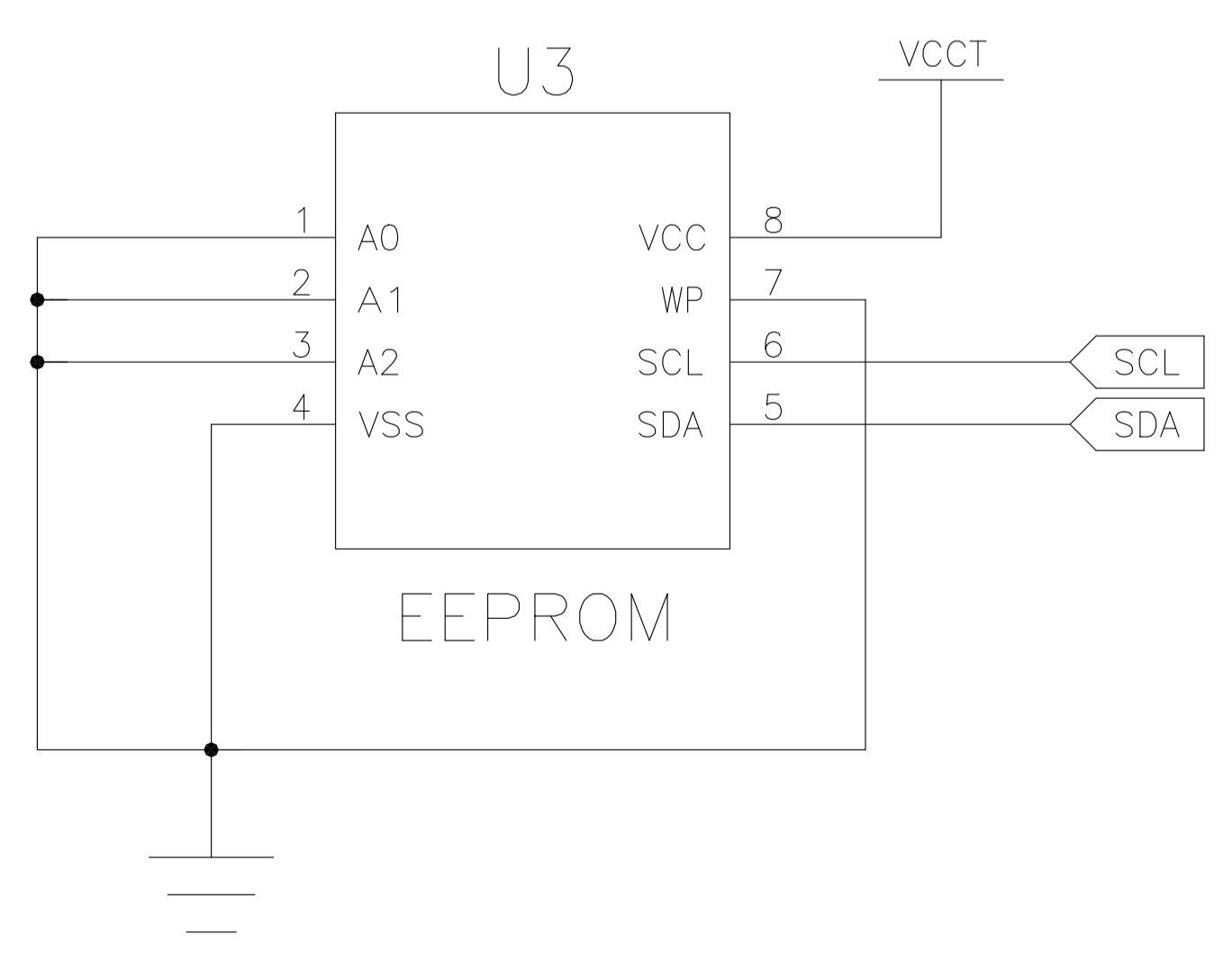
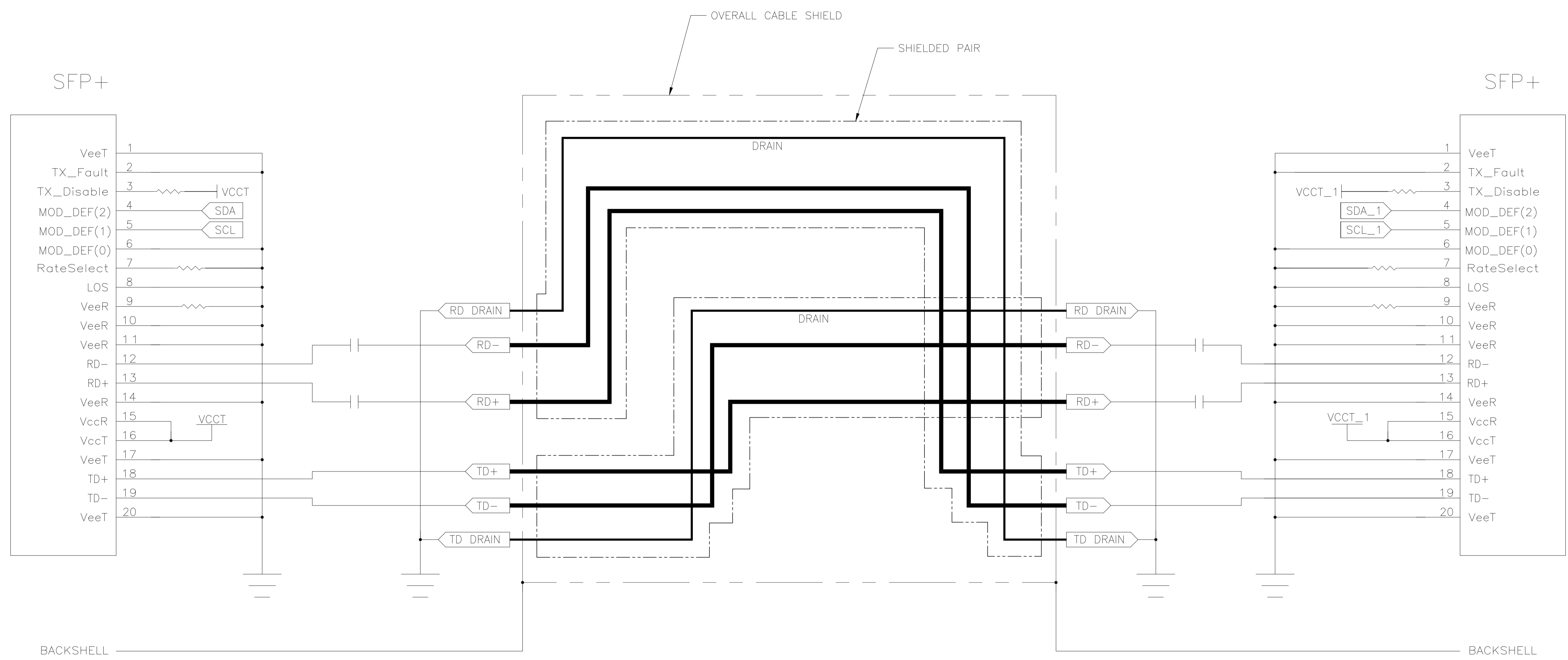
5. ROHS COMPLIANCE: PRODUCT AND PROCESSING MEETS REQUIREMENTS OF TYCO ELECTRONICS SPECIFICATION TEC-138-702.

6	+0.1 - 0	METERS	2127933-7
5	+0.1 - 0	METERS	2127933-6
4	+0.08 - 0	METERS	2127933-5
3	+0.08 - 0	METERS	2127933-4
2	+0.08 - 0	METERS	2127933-3
1	+0.05 - 0	METERS	2127933-2
0.5	+0.05 - 0	METERS	2127933-1
L			PART NO

THIS DRAWING IS A CONTROLLED DOCUMENT.

DIN	T.SMITH	18MAR2010	TE Connectivity Ltd.
CHK	C.ADAMS	18MAR2010	
APP'D	C.ADAMS	18MAR2010	
NAME	CABLE ASSY, 26 AWG, SFP+ TO SFP+ NI_PLATED		
PRODUCT SPEC	-		
APPLICATION SPEC	-		
SIZE	A1	CAGE CODE	00779
DRAWING NO	C=2127933		RESTRICTED TO
WEIGHT	-		SCALE 1:1 SHEET 1 OF 2 REV E
CUSTOMER DRAWING	-		

REVISIONS					
REV	DATE	DESCRIPTION	BY	CHK	APPD
-	-	SEE SHEET 1	-	-	-



THIS DRAWING IS A CONTROLLED DOCUMENT.		DIN T.SMITH 18MAR2010	TE Connectivity Ltd.
DIMENSIONS: mm		CHK C.ADAMS 18MAR2010	
TOLERANCES UNLESS OTHERWISE SPECIFIED: 0. PLC ± . 1. PLC ± . 2. PLC ± . 3. PLC ± . 4. PLC ± . ANGLES ± .		APPD C.ADAMS 18MAR2010	NAME CABLE ASSY,26 AWG,SFP+ TO SFP+ NI_PLATED
MATERIAL: - FINISH: -		APPLICATION SPEC	RESTRICTED TO
		WEIGHT	SIZE A1
		CUSTOMER DRAWING	CAGE CODE 00779
			DRAWING NO 2127933
			SCALE 1:1
			SHEET 2 OF 2
			REV E