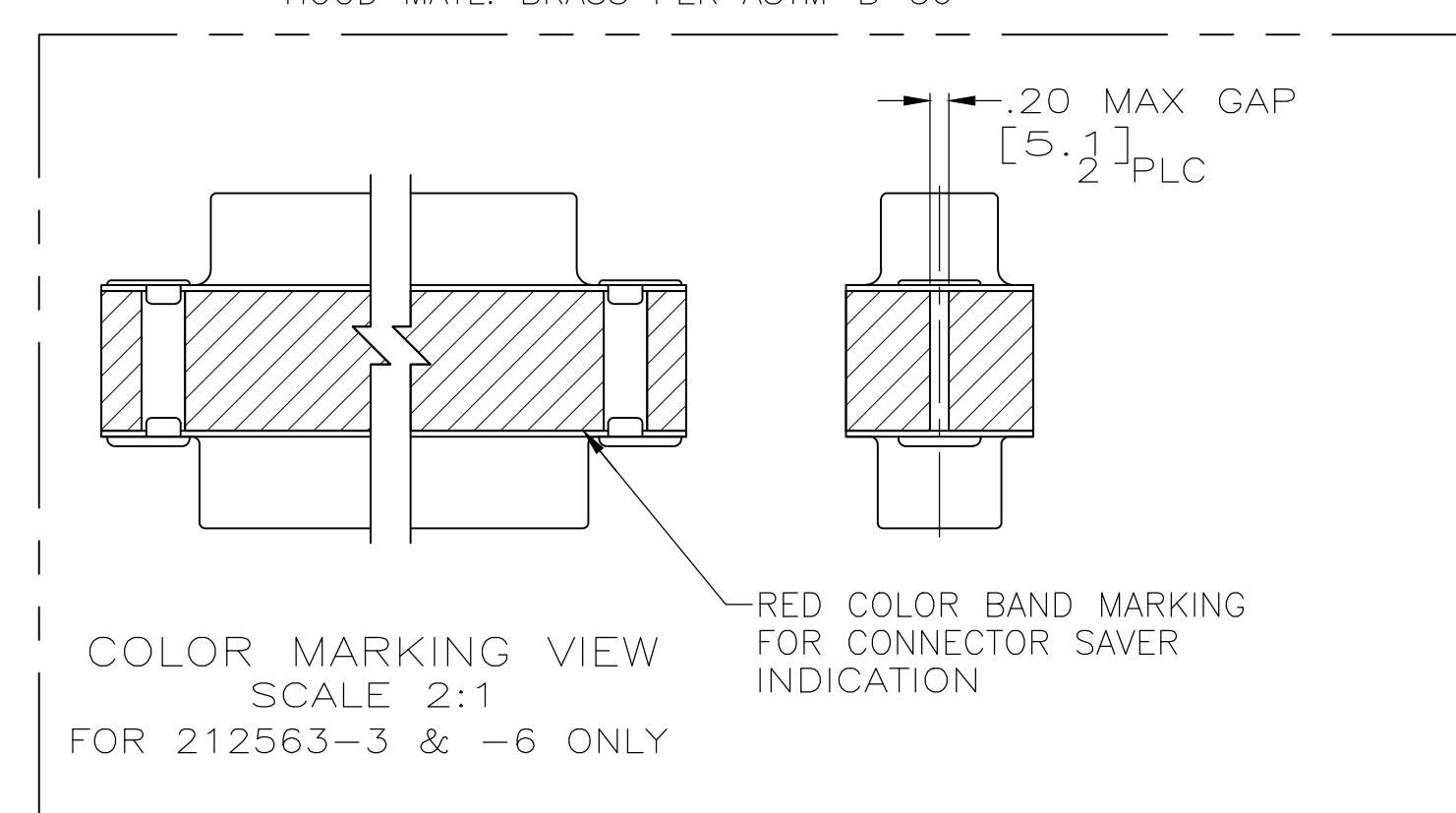
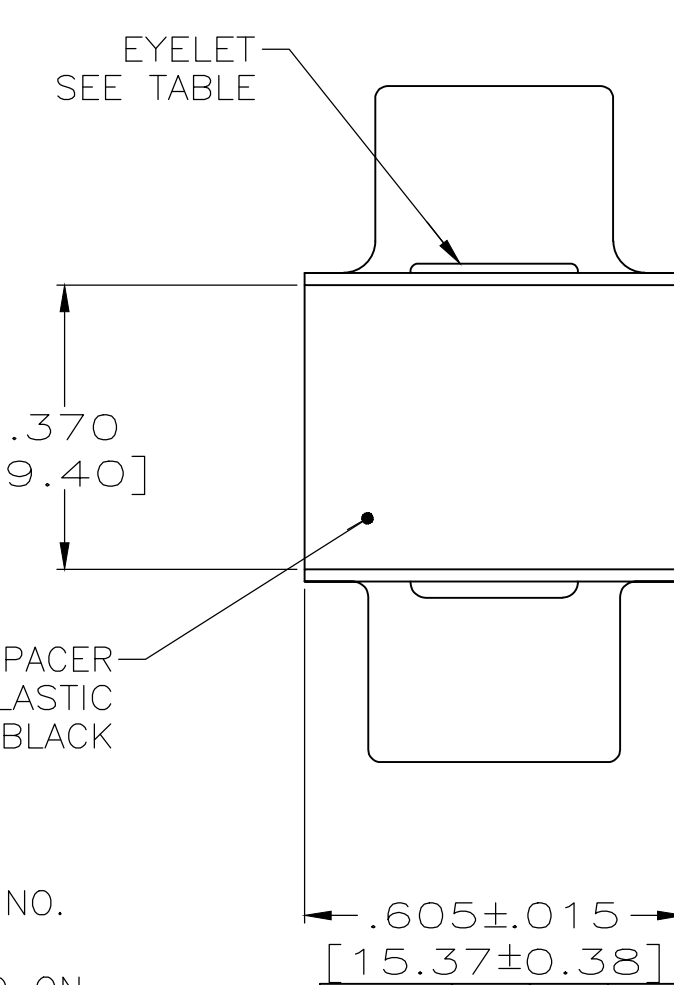
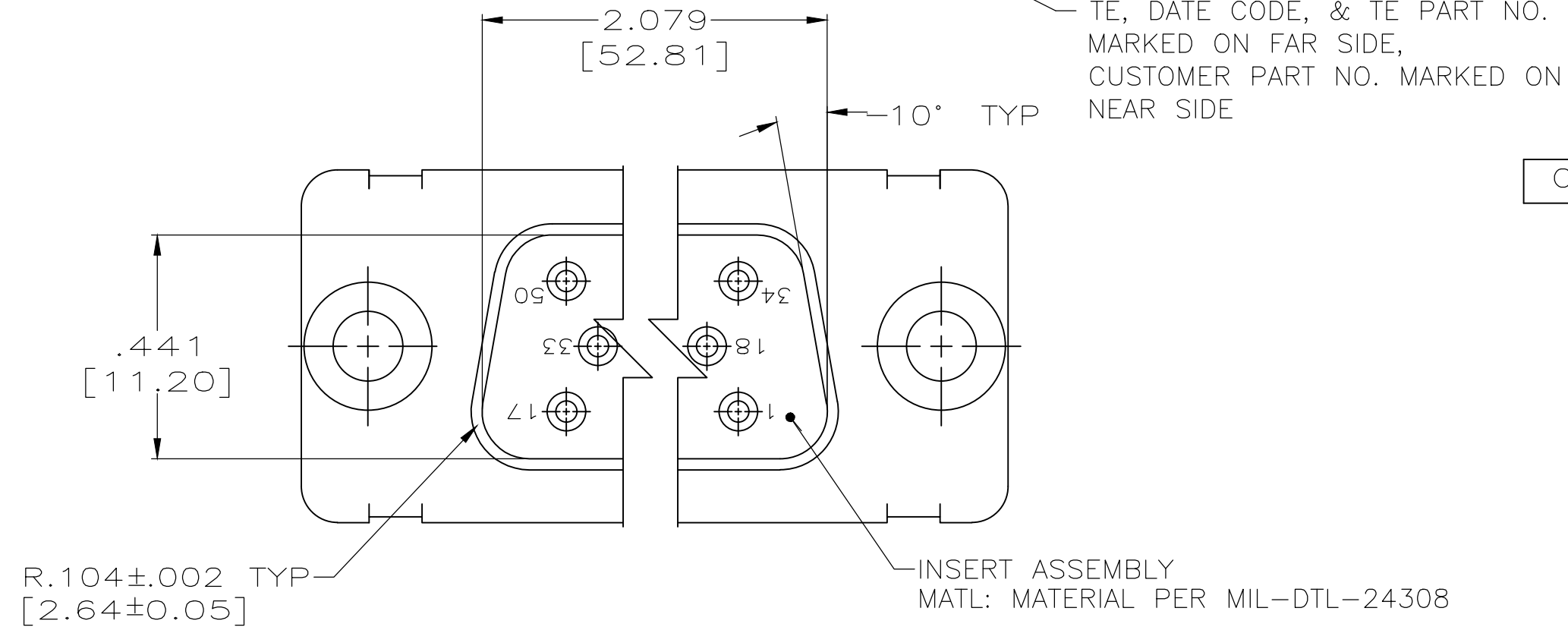
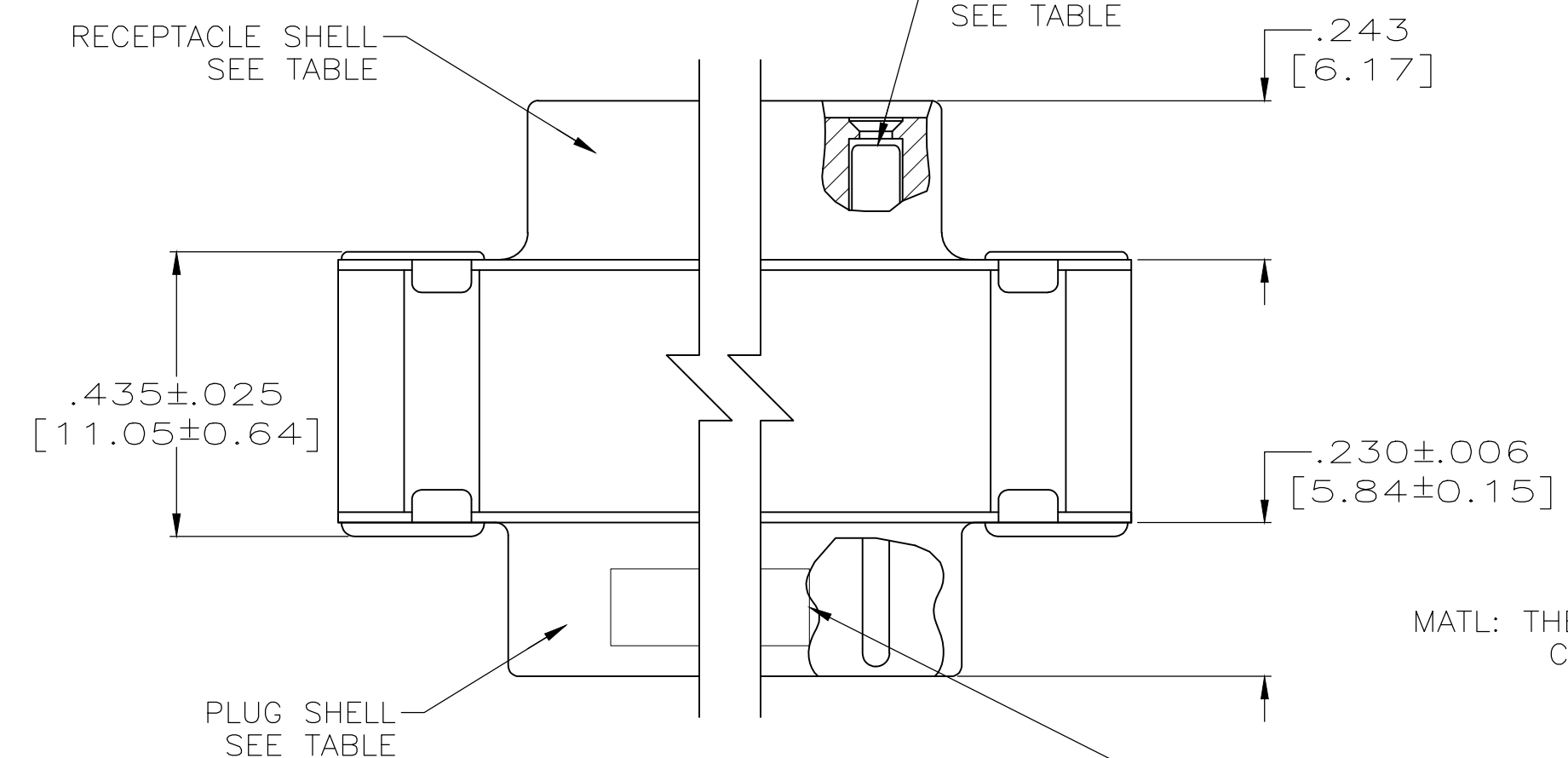
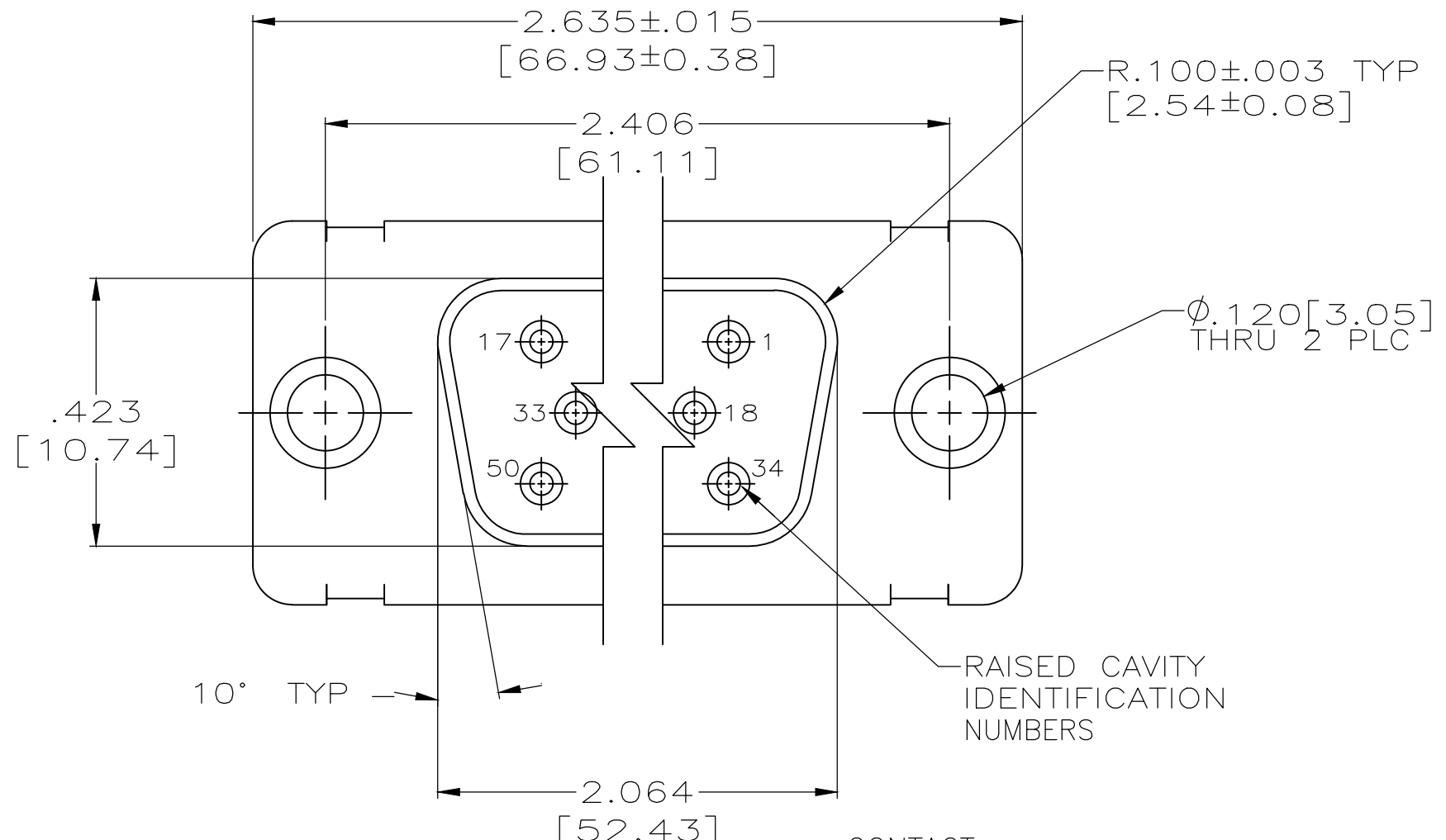


REVISIONS					
P	LTR	DESCRIPTION	DATE	DWN	APVD
Y		REV PER ECO 19-019228	4-17-20	CT	DM



- CONTACTS INCLUDED IN ASSEMBLY.
 - △ MATL: STEEL, PER ASTM-A-109.
 - △ FINISH: CADMIUM PER QQ-P-416.
 - △ CONTACT
 - BODY MATL: BERYLLIUM COPPER PER ASTM-B-197.
 - BODY FINISH: PLATED GOLD, .000050 MIN THK PER MIL-G-45204 OVER NICKEL, .000050 MIN THK PER QQ-N-290.
 - △ HOOD MATL: STAINLESS STEEL PER ASTM-A-167.
 - △ HOOD FINISH: PASSIVATED PER ASTM-A-380.
 - △ FINISH: PLATED ZINC .00020 MIN THK PER ASTM-B-633. YELLOW CHROMATE FINISH.
 - △ MATL: BRASS PER ASTM-B-36.
 - △ FINISH: PLATED GOLD, .000050 MIN THK PER MIL-G-45204 OVER COPPER, .000100 MIN THK PER MIL-C-14550.
 - △ CONTACT
 - BODY MATL: BERYLLIUM COPPER PER ASTM-B-197.
 - BODY AND HOOD FINISH: PLATED GOLD, .000050 MIN THK PER MIL-G-45204 OVER COPPER, .000100 MIN THK PER MIL-C-14550.
 - HOOD MATL: BRASS PER ASTM-B-36

△	△	△	△	△	4U884 SOCN R10002677-0105	212563-6
△	△	△	△	△	PT2-111-11	212563-5
△	△	△	△	△	-	212563-4
△	△	△	△	△	(1J02-105)	212563-3
△	△	△	△	△	-	212563-2
△	△	△	△	△	-	212563-1
EYELET	SHELLS	CONTACT	CUSTOMER P/N		PART NO.	

OBSOLETE

THIS DRAWING IS A CONTROLLED DOCUMENT.

DIMENSIONS: INCHES	TOLERANCES UNLESS OTHERWISE SPECIFIED:	DWN 27-May-15 MANJUNATH G M	TE Connectivity
		CHK 27-May-15 CHARLES THOMAS	
		APVD 27-May-15 CHARLES THOMAS	CONNECTOR SAVER, AMPLIMITE 50 POSITION, SIZE 5, SERIES 109
		MATERIAL	SIZE A2 CAGE CODE 00779 DRAWING NO. C=212563
		FINISH	RESTRICTED TO
		WEIGHT 0.000000	SCALE 4:1 SHEET 1 OF 1 REV Y
		CUSTOMER DRAWING	

212563 212563