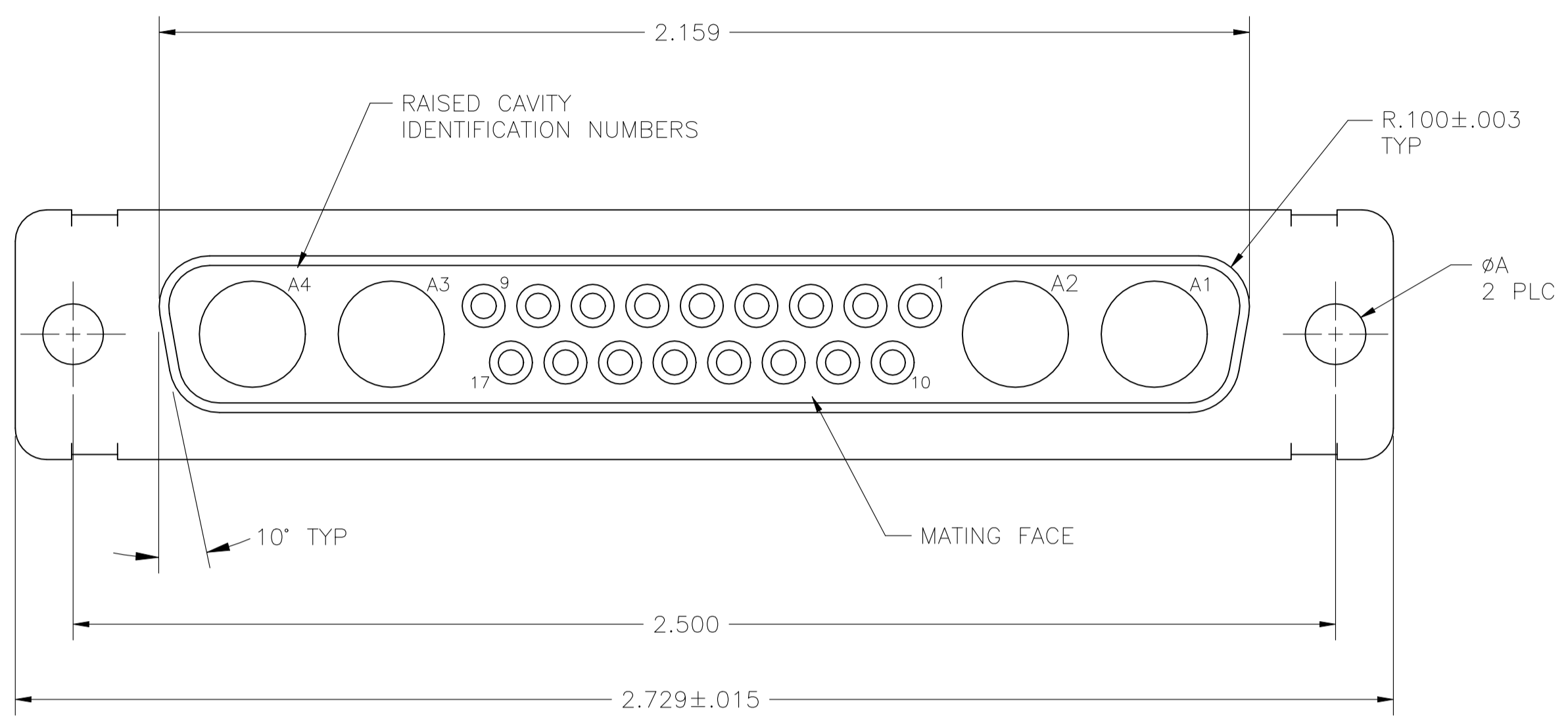
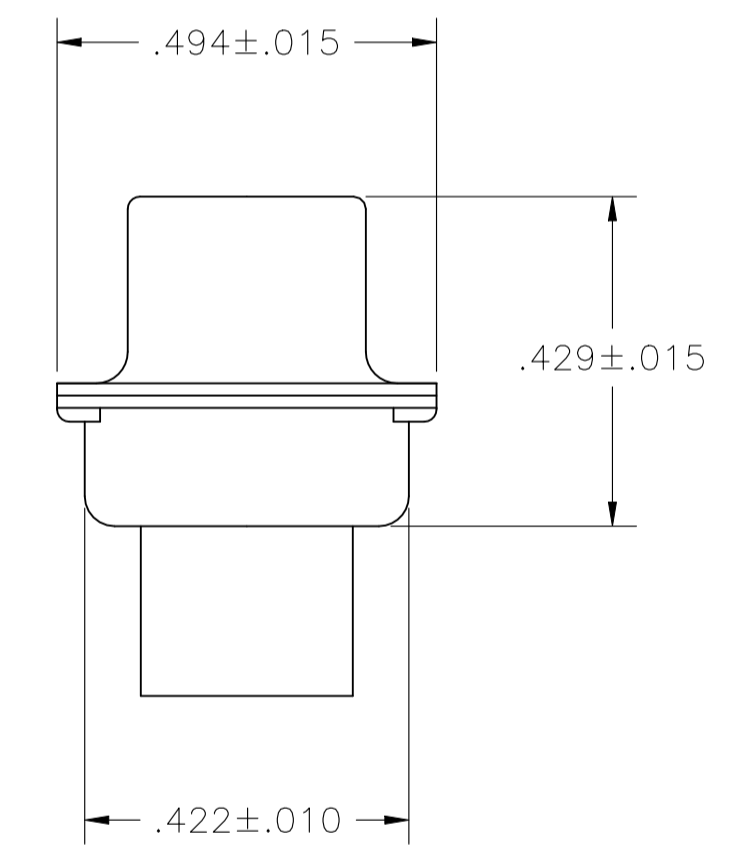
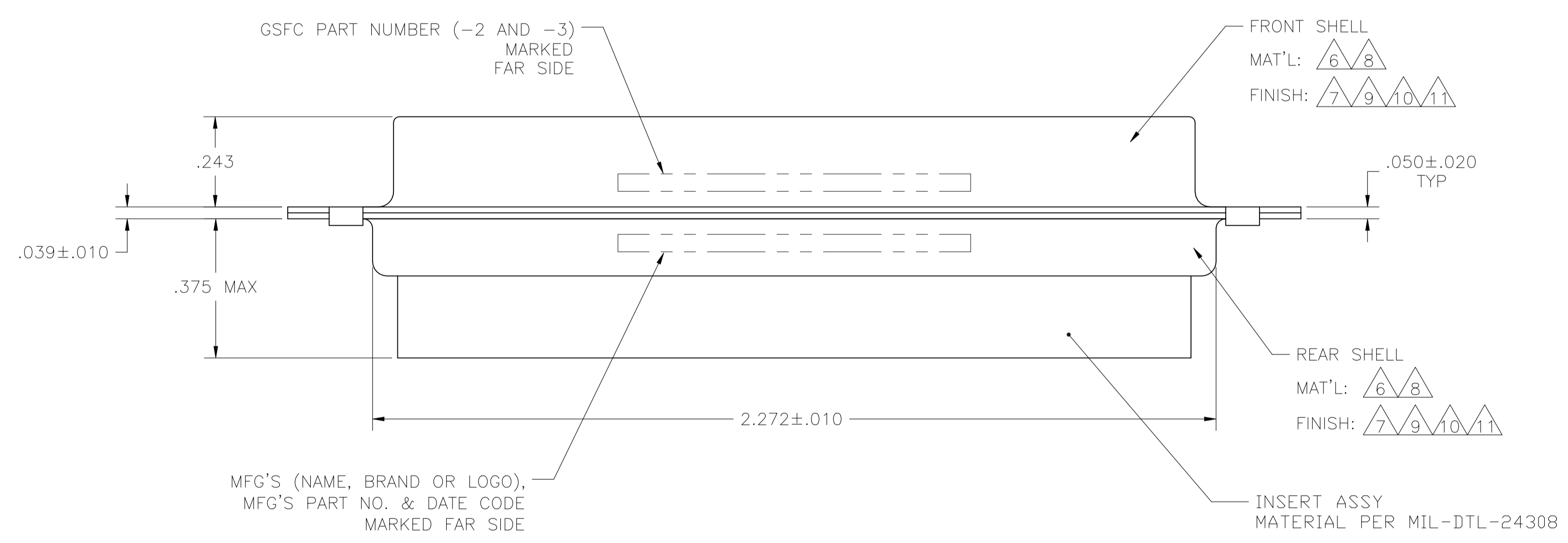


REVISIONS					
P	LTR	DESCRIPTION	DATE	DN	APVD
T		REVISED PER ECN-24-272186	24JUN2024	PE	DS

WARNING - THIS DOCUMENT CONTAINS TECHNOLOGY WHOSE EXPORT IS RESTRICTED BY THE EXPORT ADMINISTRATION REGULATIONS ("EAR") PURSUANT TO 15 C.F.R. PARTS 730-774. VIOLATIONS OF THE EAR ARE SUBJECT TO SEVERE CRIMINAL PENALTIES UNDER THE EXPORT CONTROL REFORM ACT, AS AMENDED (TITLE 50, U.S.C., SEC. 4801, ET SEQ.).



- THIS RECEPTACLE WILL MATE WITH ANY 21C4, SIZE 4 PLUG IN AMPLIMITE SERIES.
  - MAXIMUM WIRE INSULATION TO BE USED WITH THIS RECEPTACLE IS  $\phi.072$ .
  - RETENTION CLIPS (17) ARE INCLUDED IN INSERT ASSEMBLY.
  - THIS CONNECTOR ACCEPTS SIZE 20 SOCKET CONTACTS, NOT PROVIDED, IN CAVITIES 1 THRU 17.
  - CAVITIES A1 THRU A4 ACCEPTS SIZE 8 POWER, OR COAX SOCKET CONTACTS, NOT PROVIDED. RIGHT ANGLE COAX CONTACTS WILL NOT SEAT IN THIS CONNECTOR.
- ⑥ MATERIAL: STEEL PER ASTM-A-109.
  - ⑦ FINISH: CADMIUM PLATED PER QQ-P-416, TYPE II, CLASS 2.
  - ⑧ MATERIAL: BRASS PER ASTM-B-36.
  - ⑨ FINISH: GOLD PER MIL-G-45204 TYPE II, GRADE C, CLASS 1 OVER COPPER PER MIL-C-14550, CLASS IV.
  - ⑩ FINISH: TIN PER ASTM-B-545 .000400 MIN THK OVER COPPER PER AMS2418 .000050 MIN THK.
  - ⑪ FINISH: ZINC PLATE PER ASTM-B-633 .000200-.000400 THK WITH SUPPLEMENTARY CHROMATE (Cr3+).



5-212534-4 OBSOLETE	⑥√10	.120	-	5-212534-4
	⑥√11	.120	-	5-212534-1
	⑥√10	.120	-	212534-5
212534-4 OBSOLETE	⑥√10	.120	-	212534-4
212534-3 OBSOLETE	⑧√9	.154	311P405-18S-B-15	212534-3
212534-2 OBSOLETE	⑧√9	.120	311P405-18S-B-12	212534-2
	⑥√7	.120	-	212534-1
REMARKS	ØA	GSFC P/N	PART NO.	

THIS DRAWING IS A CONTROLLED DOCUMENT.

DIMENSIONS: INCHES	TOLERANCES UNLESS OTHERWISE SPECIFIED:	DIN C.C.THOMAS 21JAN88	APVD A.EMADI 27JAN88	NAME
0 PLC ± -	1 PLC ± -	2 PLC ± -	3 PLC ± .005(0.13)	4 PLC ± -
ANGLES ± -	± 0° 30'	TE Connectivity RECEPTACLE ASSEMBLY AMPLIMITE 21C4 SIZE 4, SERIES 109, COAX MIX		
MATERIAL	FINISH	WEIGHT	SIZE A1	CAGE CODE 00779
CUSTOMER DRAWING		SCALE 4:1	SHEET 1 of 1	REV T