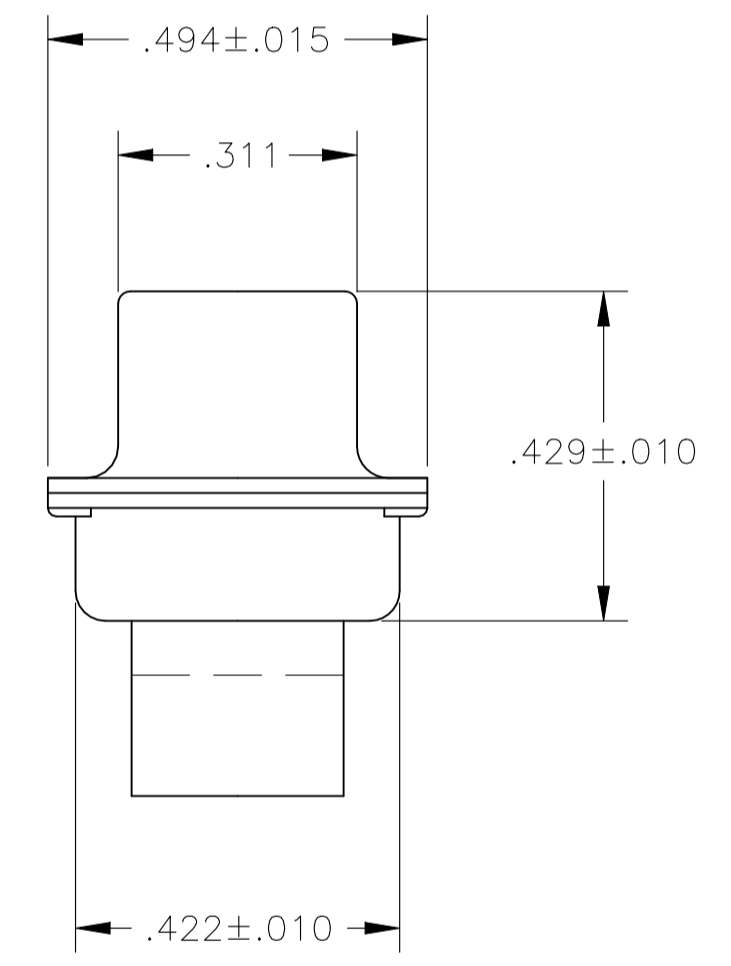
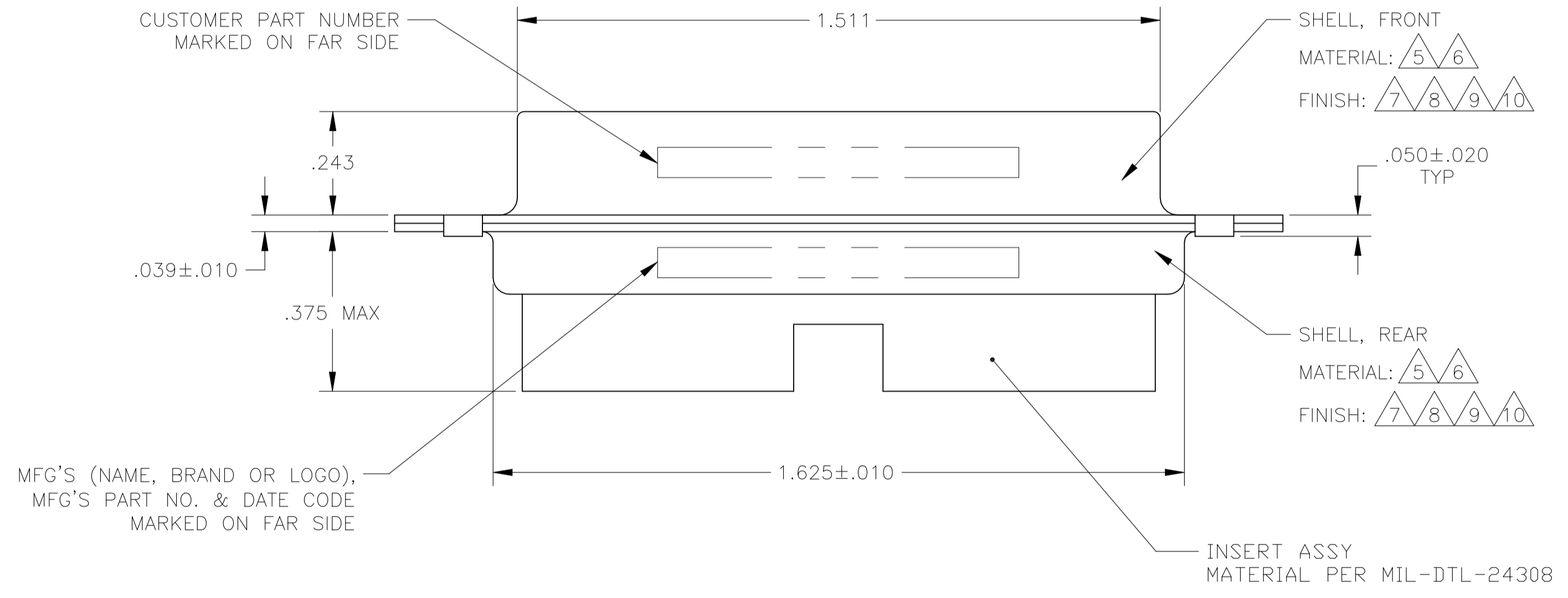
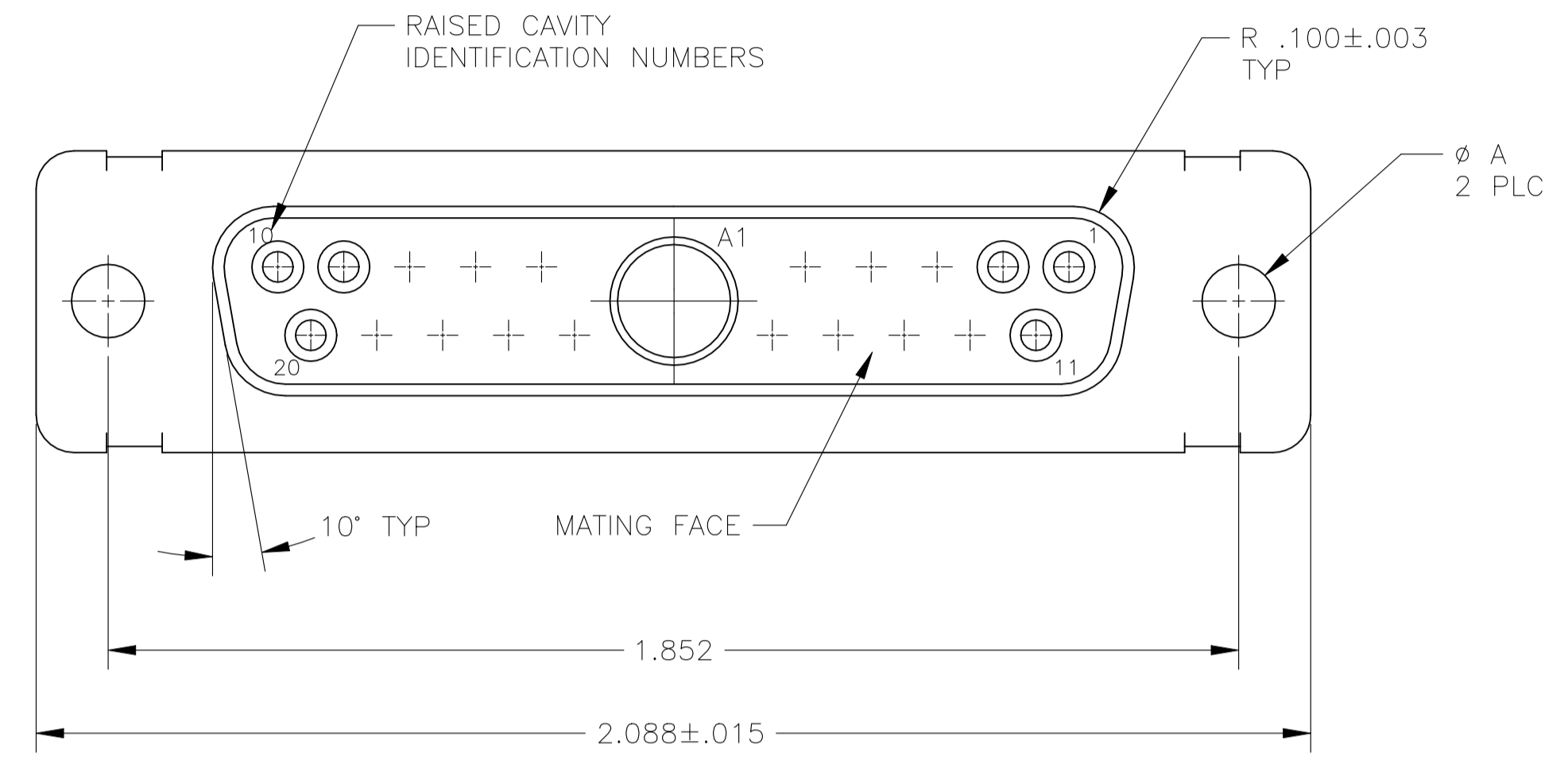


REVISIONS				
P	LTR	DESCRIPTION	DATE	BY
W		REVISED PER ECN-24-273296	01JUL2024	PE DS

- THIS RECEPTACLE WILL MATE WITH ANY 21C1, SIZE 3 PLUG IN AMPLIMITE SERIES.
- MAXIMUM WIRE INSULATION TO BE USED WITH THIS RECEPTACLE IS  $\phi$ .068.
- THIS CONNECTOR ACCEPTS (1) SIZE 8 POWER OR COAX SOCKET CONTACT IN POSITION A1, PURCHASED SEPARATELY.
- THIS CONNECTOR ACCEPTS SIZE 20 SOCKET SIGNAL CONTACTS IN POSITIONS 1 THRU 20, PURCHASED SEPARATELY.
- STEEL PER ASTM-A-109.
- BRASS PER MIL-C-50 AND ASTM-B-36 UNS NO. C26000.
- FINISH: CADMIUM PLATED PER QQ-P-416.
- FINISH: GOLD PLATED PER MIL-G-45204 TYPE II, GRADE C, CLASS 1 OVER COPPER PER MIL-C-14550, CLASS IV.
- FINISH: TIN PER ASTM-B-545 .000400 MIN THK OVER COPPER PER AMS2418 .000050 MIN THK.
- FINISH: ZINC PLATE PER ASTM-B-633 .000200-.000400 THK WITH SUPPLEMENTARY CHROMATE (Cr3+).



WARNING - THIS DOCUMENT CONTAINS TECHNOLOGY WHOSE EXPORT IS RESTRICTED BY THE EXPORT ADMINISTRATION REGULATIONS ("EAR") PURSUANT TO 15 C.F.R. PARTS 730-774. VIOLATIONS OF THE EAR ARE SUBJECT TO SEVERE CRIMINAL PENALTIES UNDER THE EXPORT CONTROL REFORM ACT, AS AMENDED (TITLE 50, U.S.C., SEC. 4801, ET SEQ.).

5-212526-2 OBSOLETE	$\triangle 5 \triangle 9$	.120	-	5-212526-2
	$\triangle 5 \triangle 10$	.120	-	5-212526-1
	$\triangle 5 \triangle 9$	.120	-	212526-6
212526-5 OBSOLETE	$\triangle 6 \triangle 8$	.120	B010942-0040	212526-5
212526-4 OBSOLETE	$\triangle 6 \triangle 8$	.154	311P405-14S-B-15	212526-4
212526-3 OBSOLETE	$\triangle 6 \triangle 8$	.120	311P405-14S-B-12	212526-3
212526-2 OBSOLETE	$\triangle 5 \triangle 9$	.120	-	212526-2
	$\triangle 5 \triangle 7$	.120	-	212526-1
REMARKS	$\phi$ A	CUSTOMER P/N	PART NO.	

THIS DRAWING IS A CONTROLLED DOCUMENT.

DIMENSIONS: INCHES	TOLERANCES UNLESS OTHERWISE SPECIFIED:	DIN C.C.THOMAS 05FEB05	APPROVED A.FMADI 08FEB05
0 PLC ± -	1 PLC ± -	2 PLC ± -	3 PLC ± .005
4 PLC ± -	ANGLES ± 0° 30'	NAME: RECEIPTACLE ASSEMBLY, AMPLIMITE, 21C1 SIZE 3, SERIES 109, COAX MIX	
MATERIAL SEE CALLOUTS	FINISH SEE CALLOUTS	WEIGHT	SIZE: A1 00779 C=212526
CUSTOMER DRAWING		SCALE: 4:1	SHEET 1 OF 1 REV W