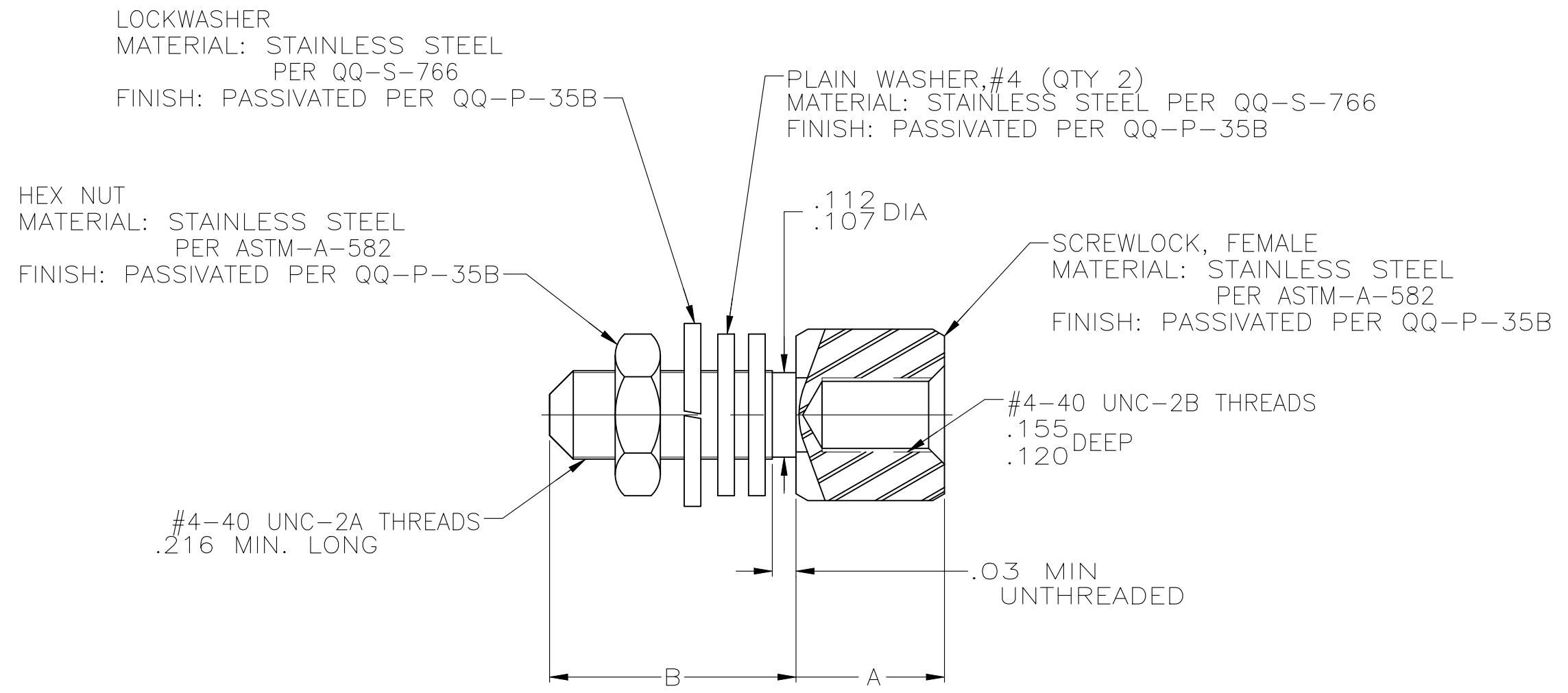


WARNING - THIS DOCUMENT CONTAINS TECHNOLOGY WHOSE EXPORT IS RESTRICTED BY THE EXPORT ADMINISTRATION REGULATIONS ("EAR") PURSUANT TO 15 C.F.R. PARTS 730-774. VIOLATIONS OF THE EAR ARE SUBJECT TO SEVERE CRIMINAL PENALTIES UNDER THE EXPORT CONTROL REFORM ACT, AS AMENDED (TITLE 50, U.S.C., SEC. 4801, ET SEQ.).

REVISIONS				
P	LTR	DESCRIPTION	DATE	APVD
G		REV PER ECN-23-243382	13DEC2023	JAB JW



1. PACKAGED UNASSEMBLED.
 2. EACH KIT INCLUDES ONE SCREWLOCK, ONE NUT, ONE LOCKWASHER AND TWO FLAT WASHERS
- 3 WHEN A CLINCH TAB TYPE CONNECTOR IS FRONT MOUNTED, ONE FLAT WASHER SHALL BE USED AS A SPACER BETWEEN THE MOUNTING SURFACE AND THE CONNECTOR.

.560	.223	-	212447-2
.312	.188	M24308/26-1P	212447-1
B	A	MILITARY PART NO	PART NO

THIS DRAWING IS A CONTROLLED DOCUMENT.		DWN J.LINDERMAN 1-6-93	STE TE Connectivity	
DIMENSIONS: INCHES		CHK F.KINSEY 1-8-93		
TOLERANCES UNLESS OTHERWISE SPECIFIED:		APVD F.KINSEY 1-8-93	NAME	
0 PLC ± -		PRODUCT SPEC	KIT, SCREWLOCK ASSEMBLY, FEMALE	
1 PLC ± -		APPLICATION SPEC	STAINLESS STEEL, AMPLIMITE	
2 PLC ± -		WEIGHT 0.000000	SIZE A3	CAGE CODE 00779
3 PLC ± -		CUSTOMER DRAWING	DRAWING NO C-212447	RESTRICTED TO -
4 PLC ± -		SCALE 6:1	SHEET 1 OF 1	REV G
ANGLES ± -				
FINISH SEE CALLOUTS				
MATERIAL SEE CALLOUTS				