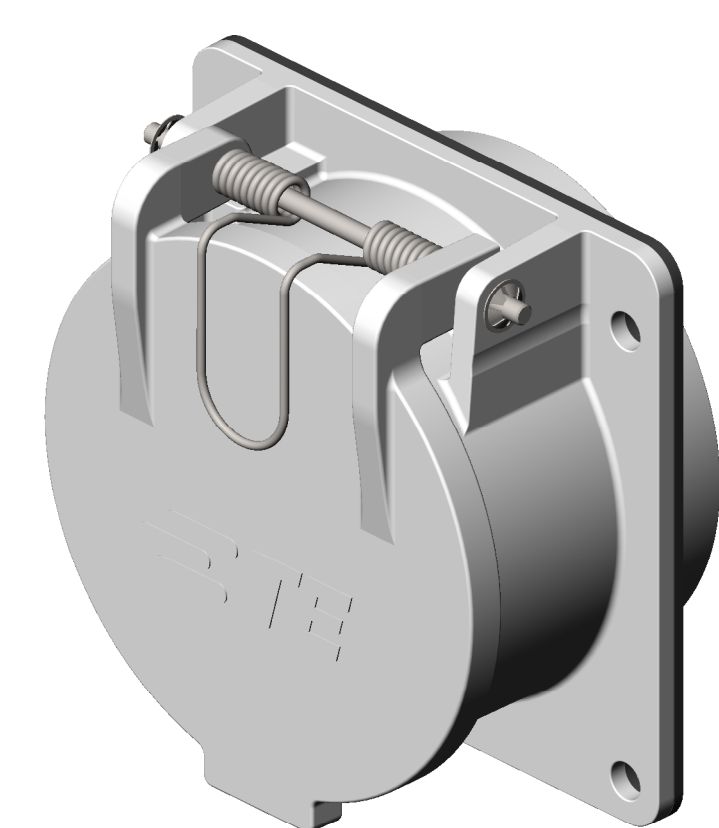
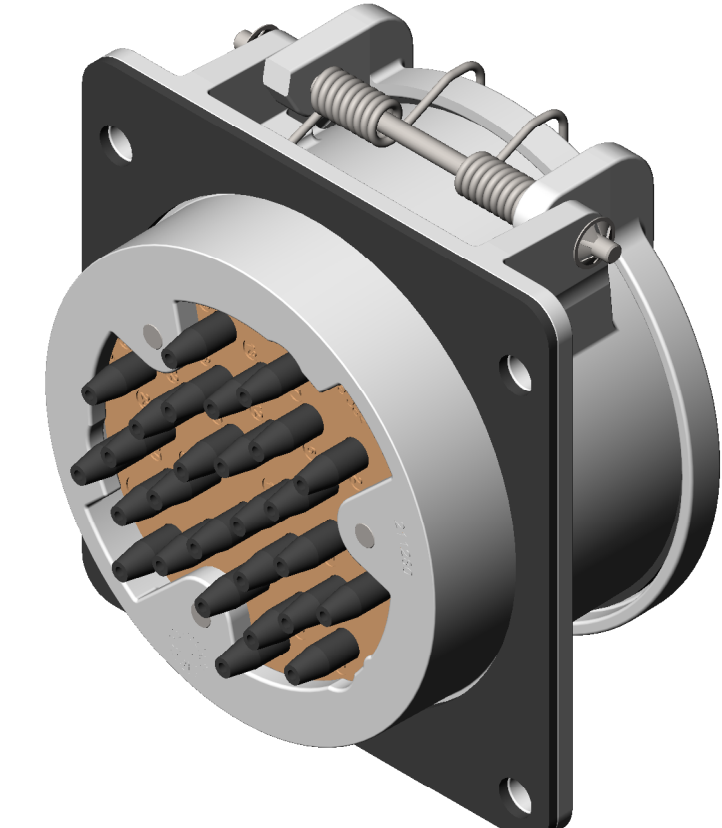


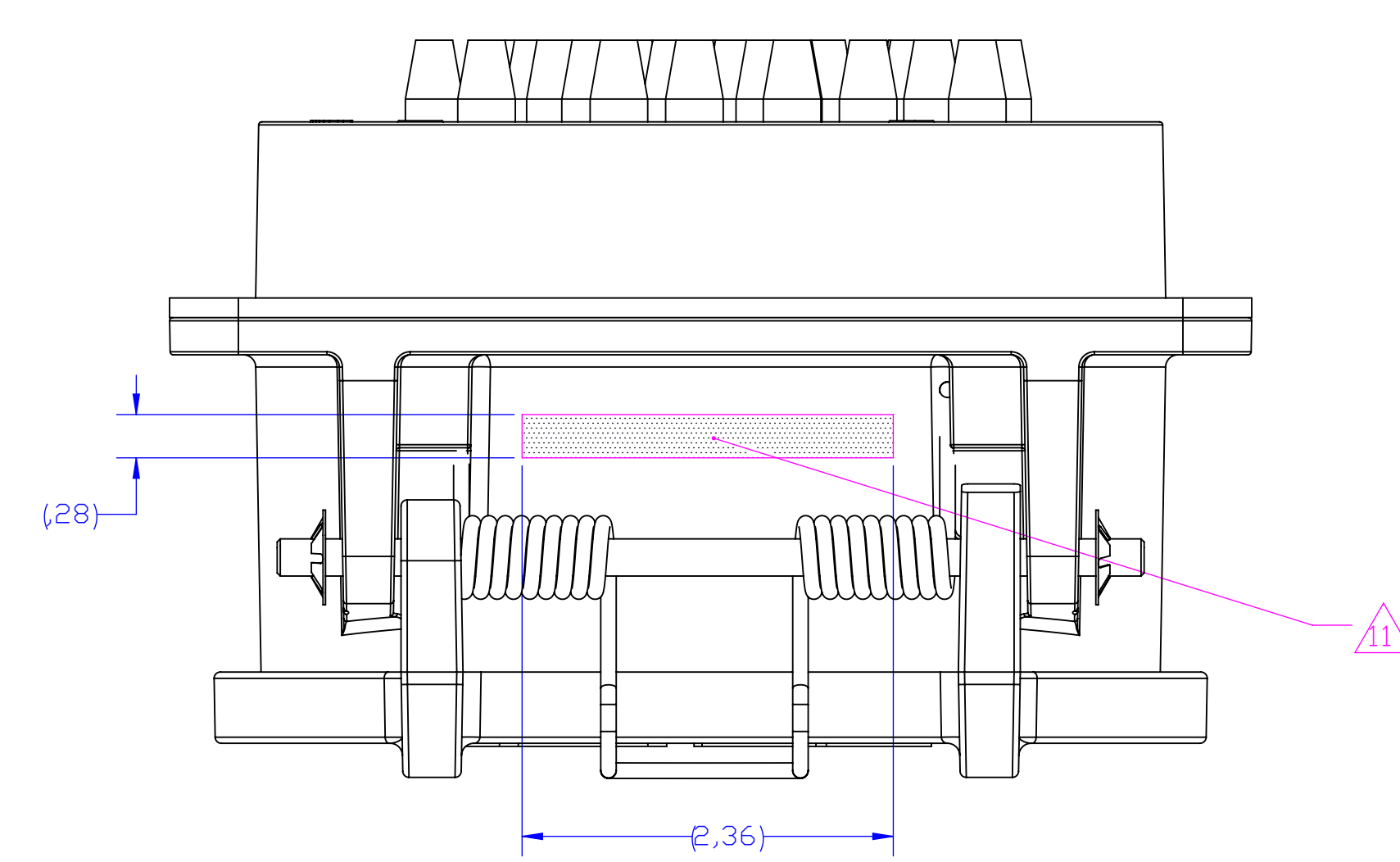
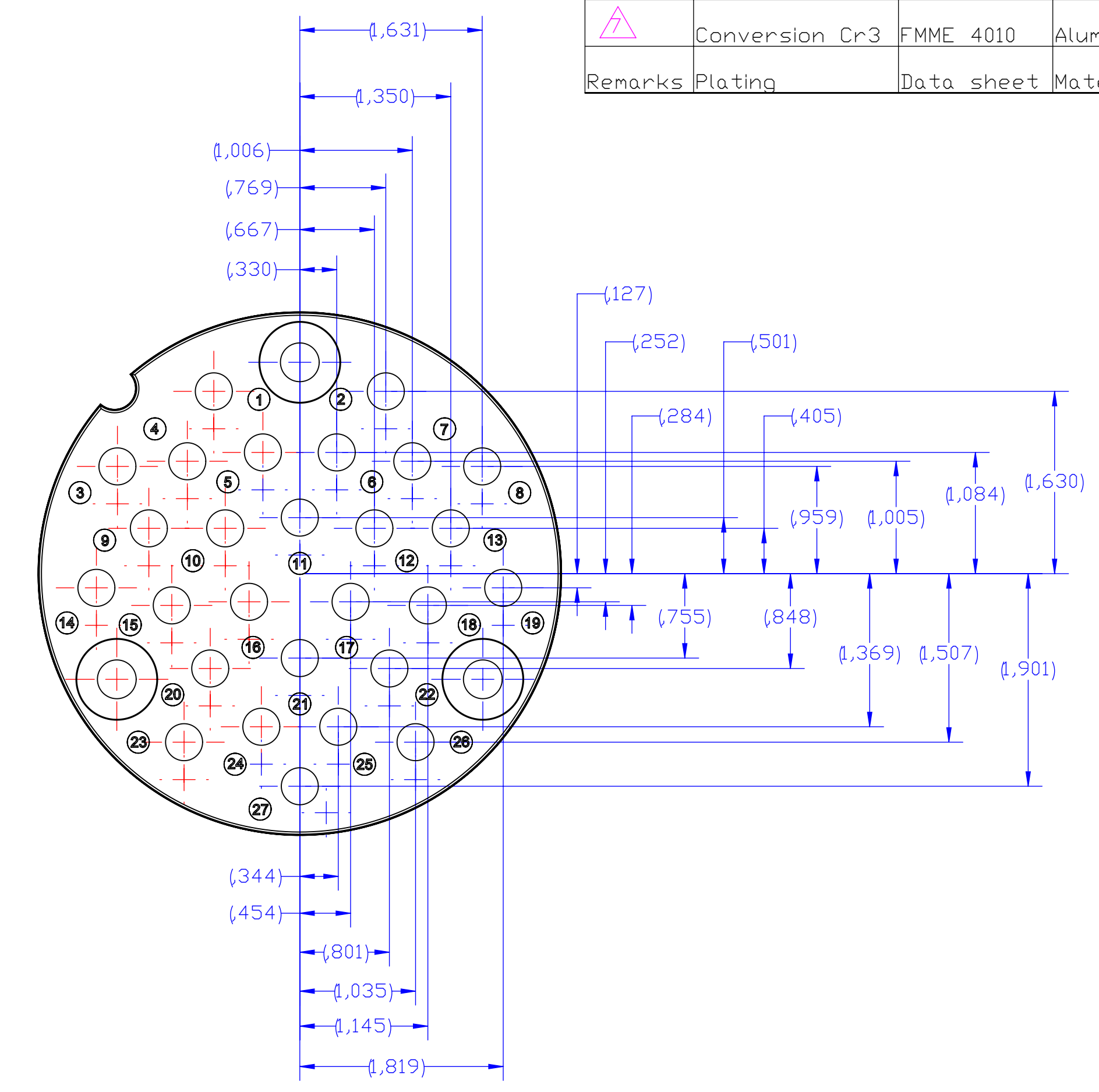
Isometric view - Scale 1:2



Isometric view - Scale 1:2

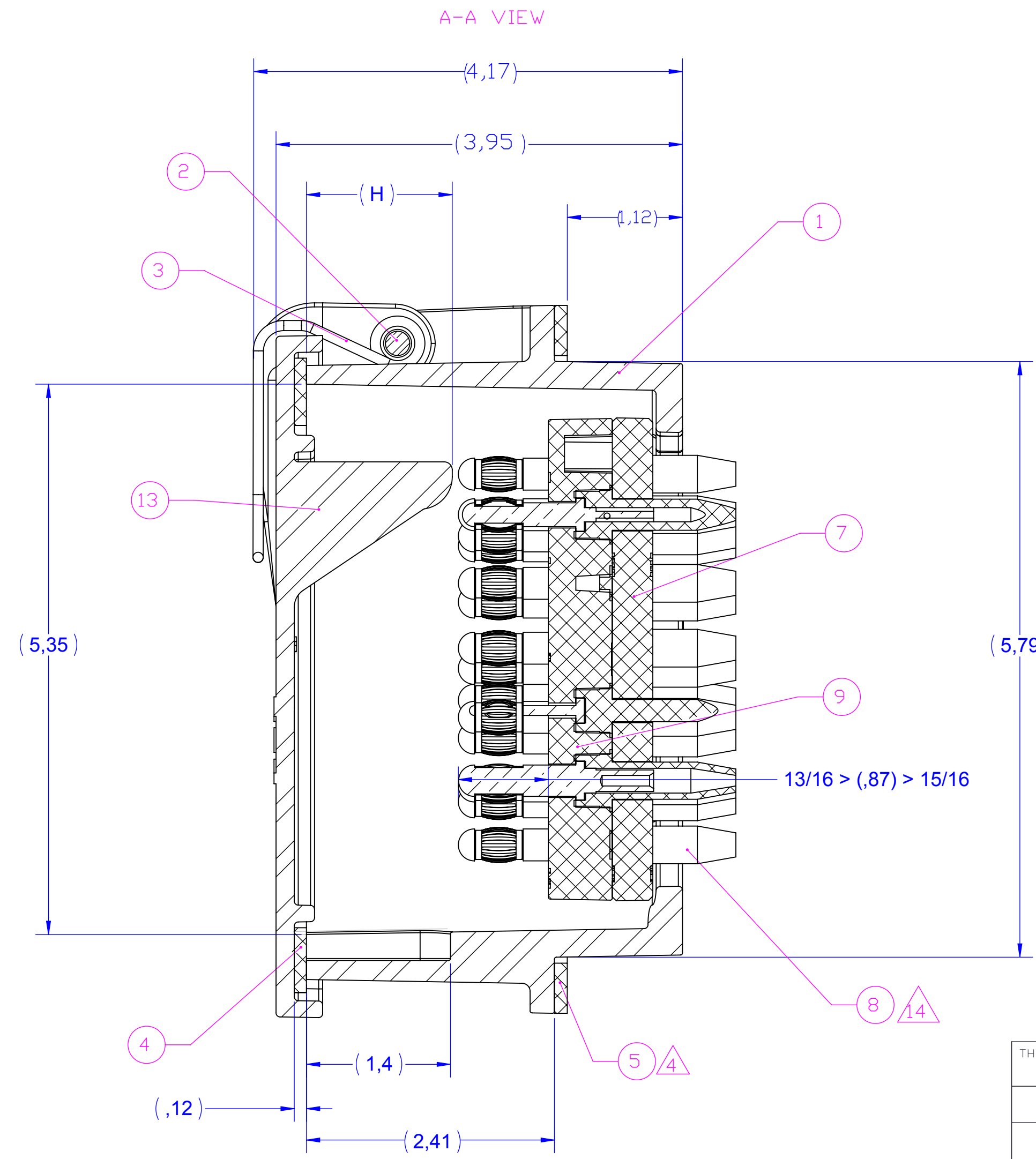
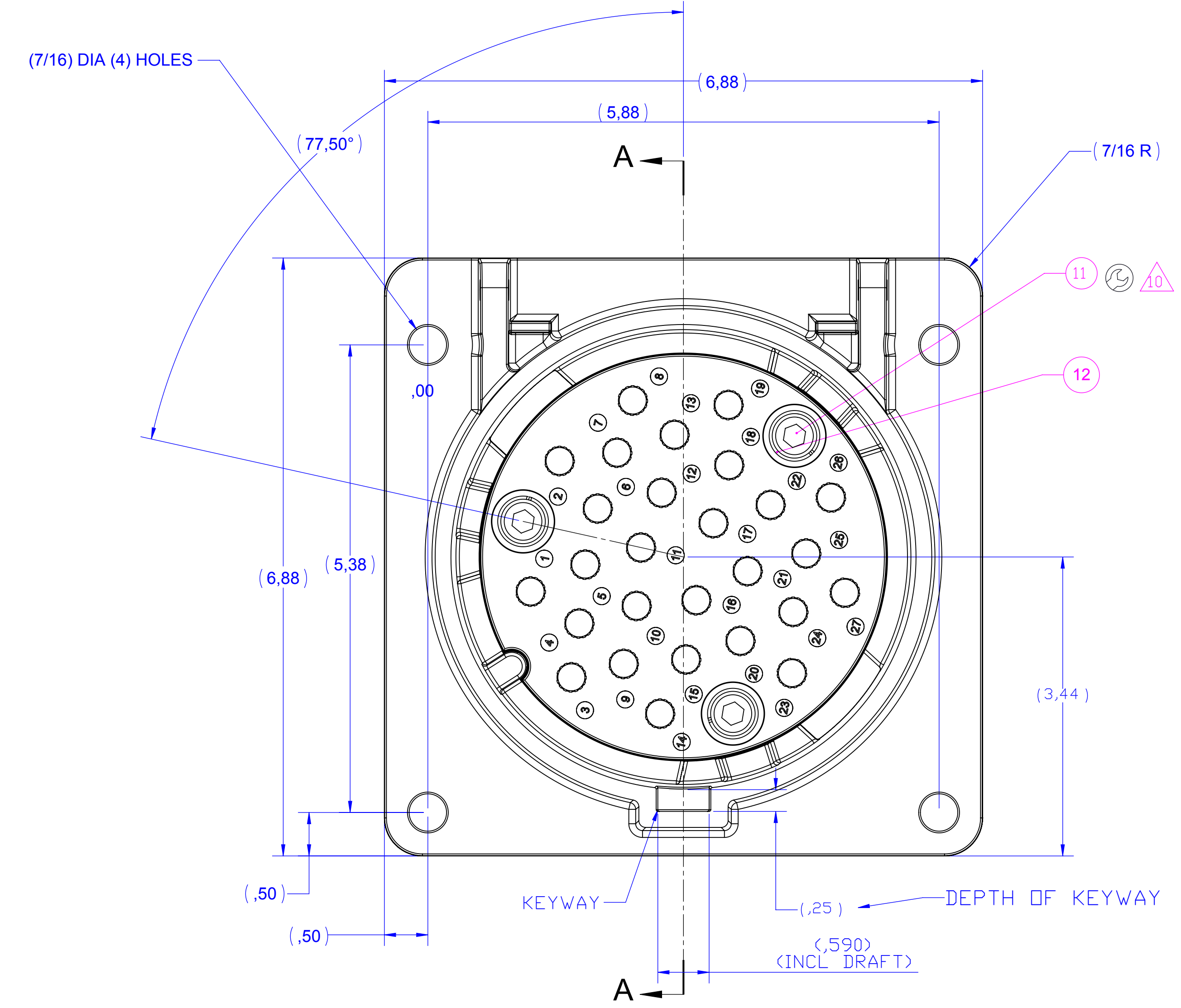
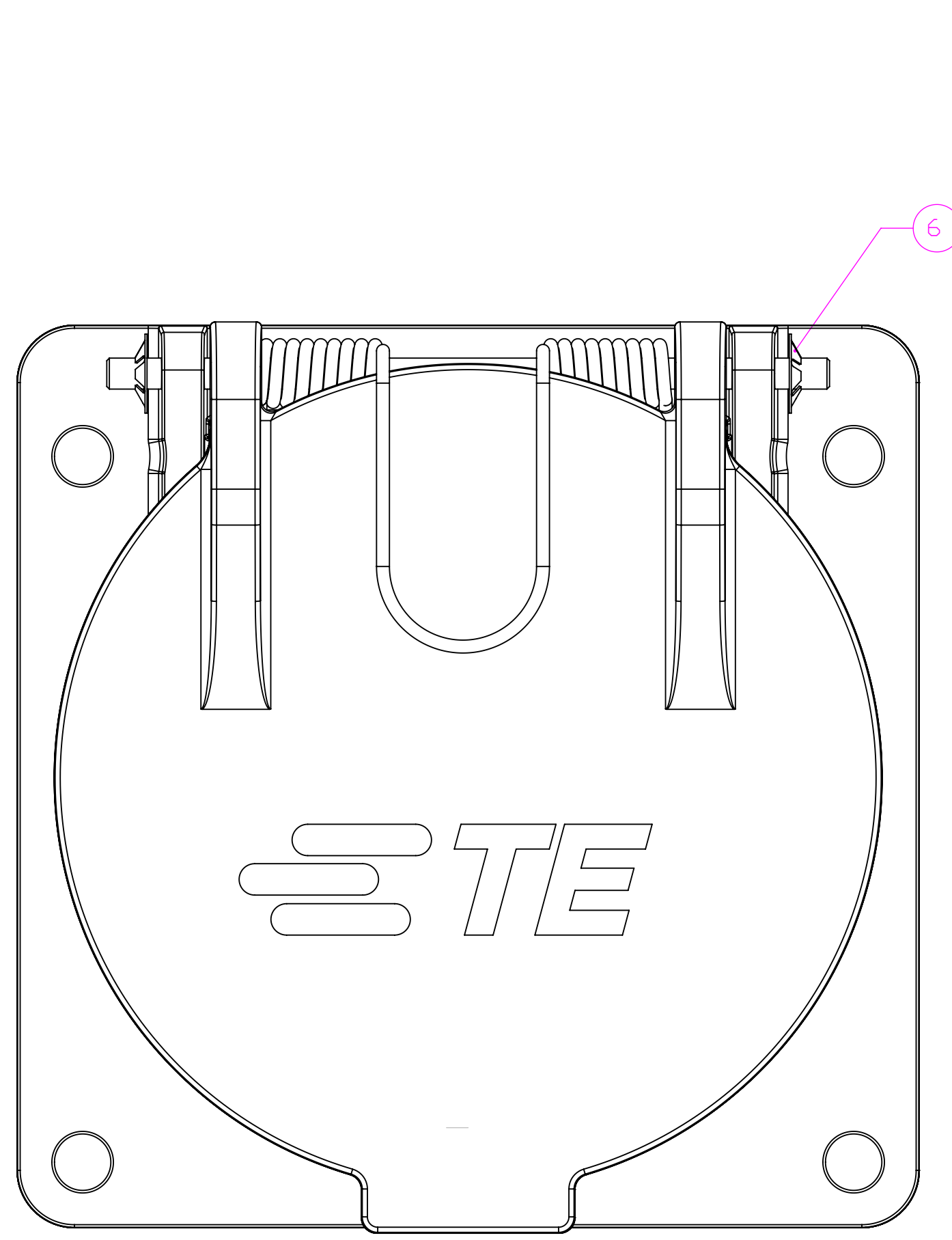


INSULATOR VIEW  
SCALE 1:1



VIEW WITH COVER CLOSED

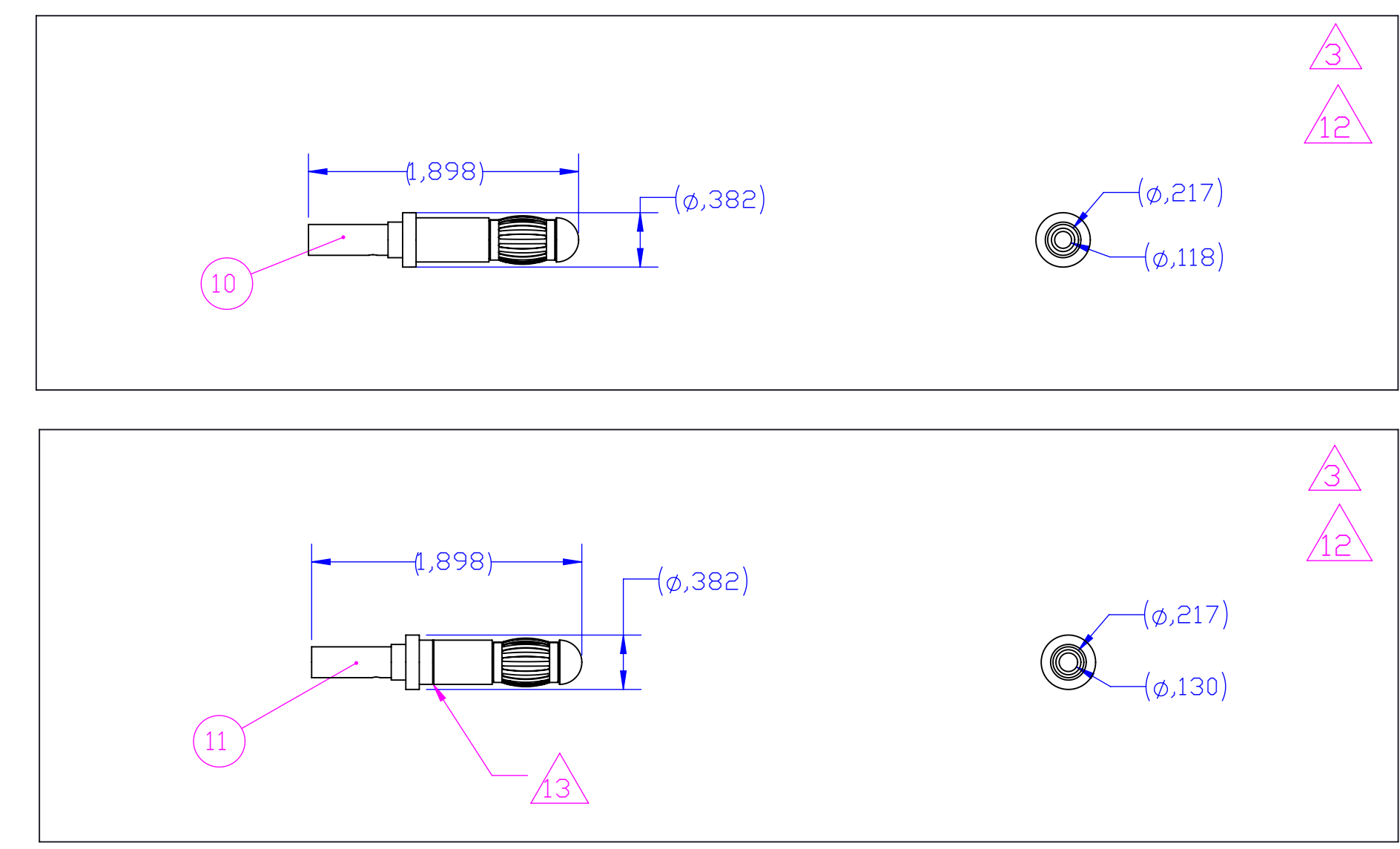
VIEW WITH COVER REMOVED



A-A VIEW

Item	Designation	Material	Weight (g)	Qty	Part number	Material	Weight (g)	Qty	Part number	Designation	Item
	Paper		5	1	YSPEC-408-157000-1	Mounting instruction					17
			1.50	1	0206-0329AS	Deshydrating bag					17
		Plastic	0.50	2	0158-0001-X	Collar					16
		Carton	88.14	1	0206-0105AS	Box					15
	Conversion Cr3	FMME 4010	Aluminium	376.47	1	YG-UC-211287A-JG07	Cover				14
			Stainless steel	1.15	3	W-08-I	Washer				13
			Stainless steel	17.24	3	CHCM08x25-I	Screw CHC MBx25				12
	Silver plating		Brass	43.14	1	YS-UC-211946A-AA1A	Kit with 3 Male contacts 10 AWG				11
	Silver plating		Brass	349.15	1	YS-UC-211945A-AA1A	Kit with 24 Male contact AWG 12 and 14				10
		FTMP 651	Polycarbonate	162.78	1	YK-UC-211275A-QK00	Male insulator				9
		FMEL 31016	Neoprene	1.91	27	YK-UC-211315A-VP00	Sleeve				8
		FTMP 651	Polycarbonate	124.80	1	YK-UC-211276A-QK00	Mixed insulator				7
			Stainless Steel	0.41	2	Y0000000-7105-06-I	Self locking ring				6
		FMEL 31015	Neoprene	52.3	1	YA-UC-211297A-VN00	Gasket				5
		FMEL 31016	Neoprene	13.14	1	1504-0019A4	Gasket				4
		FMME 3034	Stainless steel	4.31	1	1504-0005A4	Spring				3
		FMME 3017	Stainless steel	3.95	1	1504-0018A4	Axis				2
	Conversion Cr3	FMME 4010	Aluminium	1070.35	1	YG-UC-211283A-JG07	Receptacle body - position 77.5				1
Remarks	Plating	Data sheet	Material	Weight (g)	Qty	Part number	Designation				Item

- Project NR: PRJ-14-00003352
- | REV | DATE        | BY | APPV |
|-----|-------------|----|------|
| B   | 08.JUL.2015 | MB | MV   |
| C   | 08.JUL.2015 | MB | MV   |
| D   | 08.JUL.2015 | EL | MV   |
- REVISIONS
- ( ) : cotes pour information / dimensions for information  
( ) : cotes de controle / inspection dimensions
  - Instructions de mise en oeuvre à appliquer par le client  
Customer instructions to be applied by the customer
  - Ref. YS-UC-211946A-AA1A (item) is a KIT with 3 contacts AWG10  
Ref. YS-UC-211945A-AA1A (item) is a KIT with 24 contacts AWG12/14
  - Receptacle gasket is sold tied on the receptacle
  - White paint
  - Work instruction according to 118-157000-1
  - Diameter of panel mounting hole : 5,86±0.005
  - Tightening torque = 10N.n
  - Laser marking :  
TE + Commercial reference + Year-Week
  - Daniels manual crimping tool :  
- Hand crimper HX4  
- Die Y543  
Daniels pneumatic crimping tool :  
- Pneumatic pump HX23  
- Die Y543
  - Groove made to differentiate contacts
  - Sleeves packaging separately and identified
  - A label with the commercial reference and the complete BDM is glued on the cardboard
  - Standards :  
AAR S-512, APTA RP-E-019-99
  - Packaging Specification 107-157003



Référence commerciale / Commercial reference : 27P-REC-3-01

THIS DRAWING IS A CONTROLLED DOCUMENT. 08JUL2015

DESIGNED BY: M BONNIN 08JUL2015  
 DRAWN BY: M GALBRAUD 08JUL2015  
 CHECKED BY: M VIMARD 08JUL2015

PRODUCT SPEC: 188-157001  
 APPLICATION SPEC: 408-157000-1  
 WEIGHT: 5,057 pound  
 CUSTOMER DRAWING

TE Connectivity  
 RECEPTACLE TYPICAL OF AEM-7  
 AC - E1894-212085

SCALE: 1:1 SHEET: 1 OF 1 REV: 0