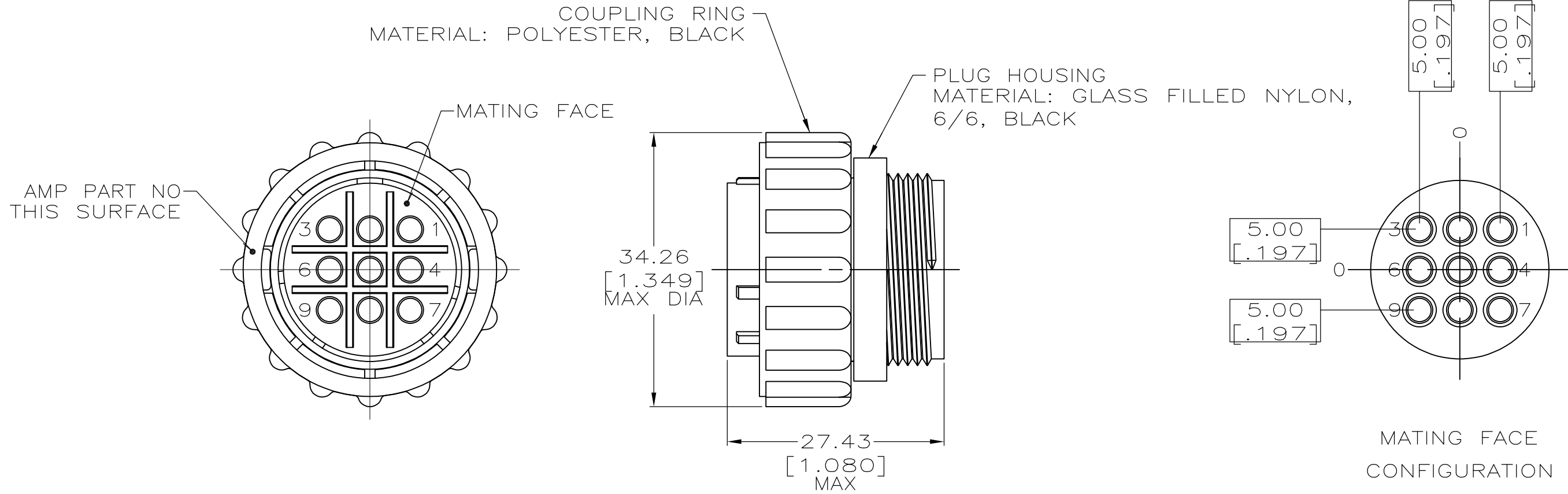


LOC FT	DIST 4	REVISIONS			
P	LTR	DESCRIPTION	DATE	DWN	APVD
	C1	REVISED PER ECO-11-004820	11MAR11	RK	HMR



- CONTACT CAVITIES IDENTIFIED BY CHARACTERS ON FRONT AND REAR FACES OF CONNECTOR.
- THIS PART WILL ACCEPT 9 MULTIMATE SOCKET CONTACTS.

211766-1  
PART NO

THIS DRAWING IS A CONTROLLED DOCUMENT.		DWN K.FOLTZ 06/29/94			
DIMENSIONS: mm [INCHES]		CHK R.STONE 06/30/94			
TOLERANCES UNLESS OTHERWISE SPECIFIED:		APVD A.FRANTUM 10/3/94	NAME PLUG ASSY, SPECIAL VDE, CLASS A, STD SEX, ARRANGEMENT 17-9, CPC		
		PRODUCT SPEC -	APPLICATION SPEC -		
MATERIAL SEE CALLOUTS		FINISH -	WEIGHT -	SIZE A3	CAGE CODE 00779
CUSTOMER DRAWING			DRAWING NO C-211766	RESTRICTED TO -	SCALE 2:1
			SHEET 1 of 1	REV C1	