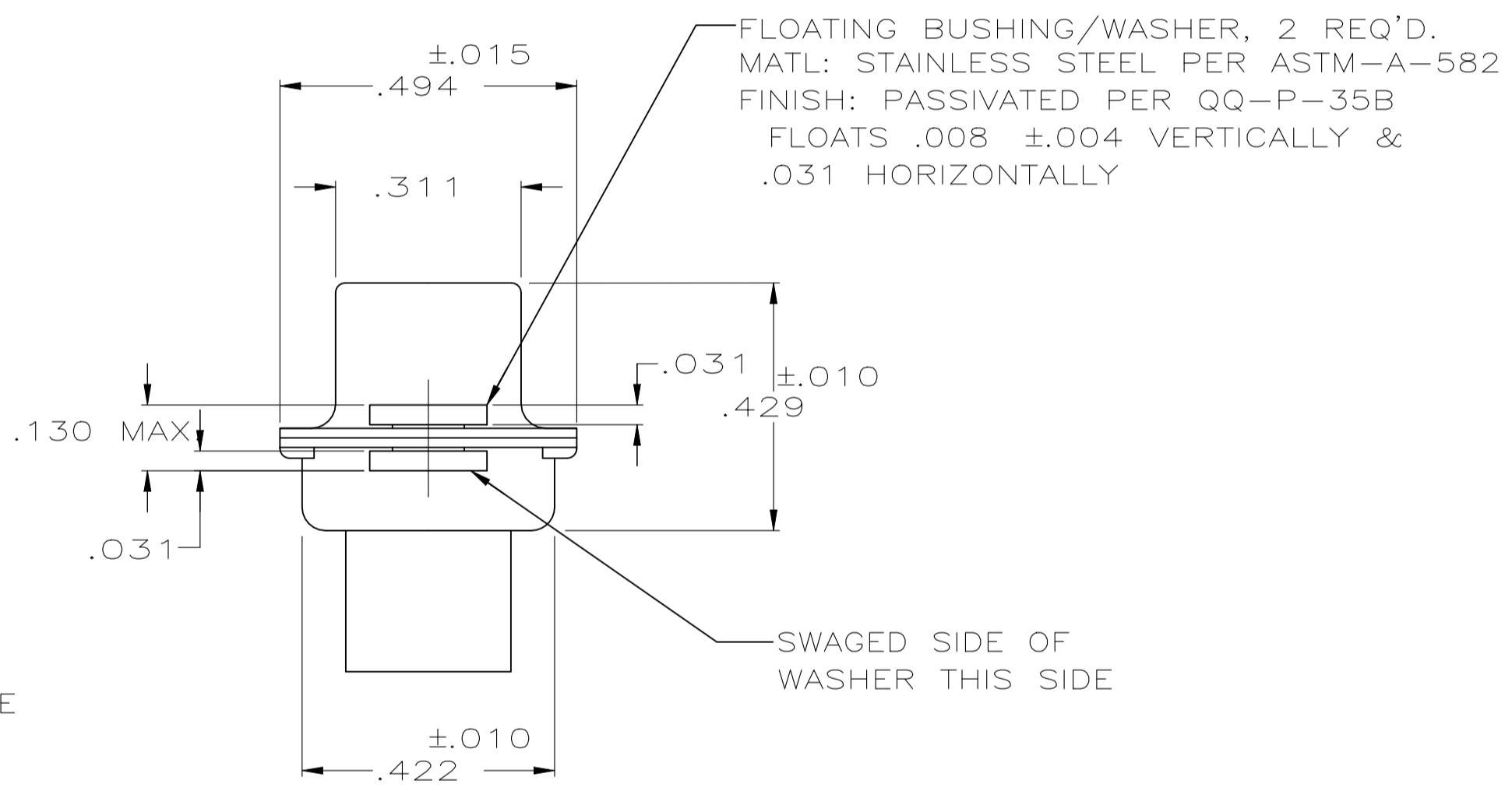
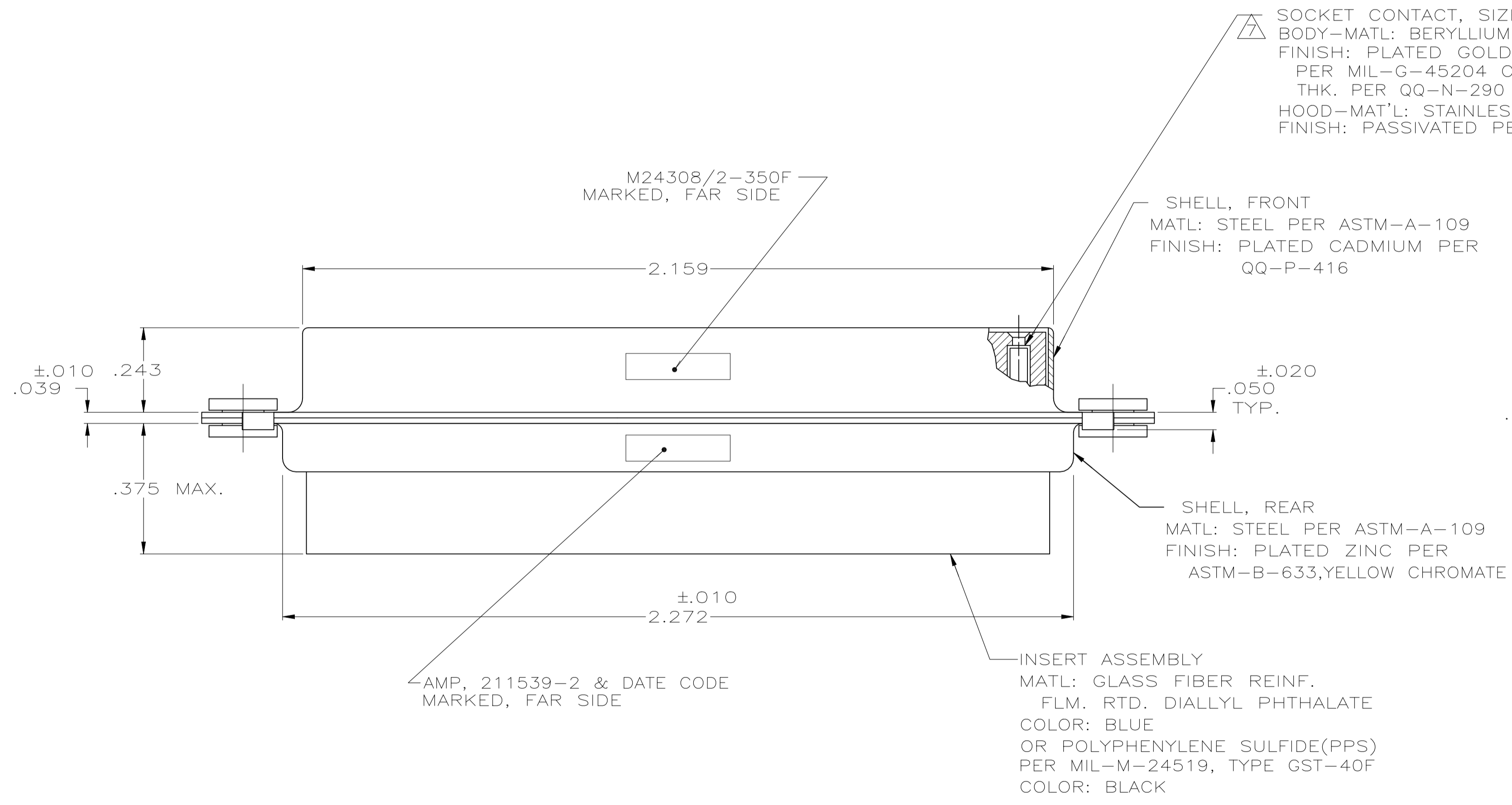
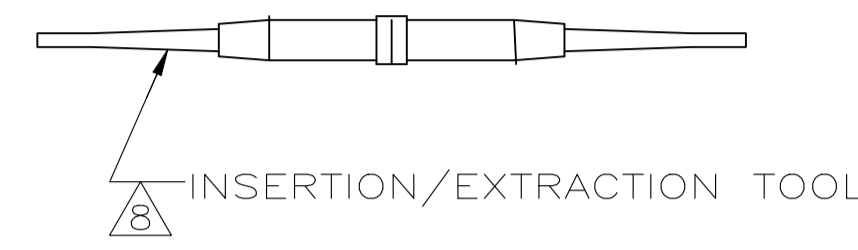
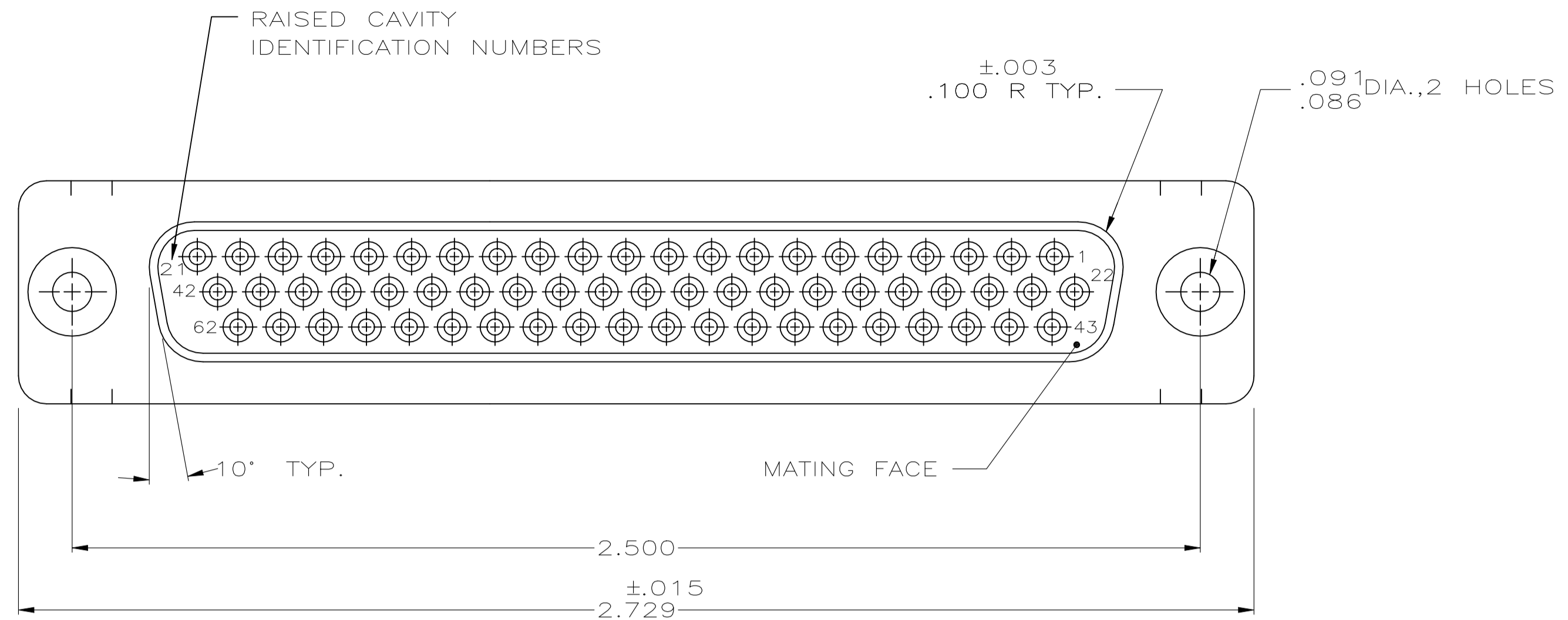


WARNING - THIS DOCUMENT CONTAINS TECHNOLOGY WHOSE EXPORT IS RESTRICTED BY THE EXPORT ADMINISTRATION REGULATIONS ("EAR") PURSUANT TO 15 C.F.R. PARTS 730-774. VIOLATIONS OF THE EAR ARE SUBJECT TO SEVERE CRIMINAL PENALTIES UNDER THE EXPORT CONTROL REFORM ACT, AS AMENDED (TITLE 50, U.S.C., SEC. 4801, ET SEQ.).



1. THIS RECEPTACLE WILL MATE WITH ANY 62 POSN., SIZE 4 PLUG IN AMPLIMITE SERIES.
2. MAXIMUM WIRE INSULATION TO BE USED WITH THIS RECEPTACLE IS .054 DIA.
3. SST RETENTION CLIPS ARE INCLUDED IN INSERTS.

- 4 PACKAGE STAMPED M24308/2-490F & AMP P/N 211539-1
- 5 PACKAGE STAMPED M24308/2-350F & AMP P/N 211539-2
- 6 PACKAGE STAMPED M24308/2-361F & AMP P/N 211539-3
- 7 AMP P/N 204351-1; MIL P/N 57-354, INCLUDED IN KIT
- 8 AMP P/N 91067-1; MIL P/N M81969/1-04
- 9 CONNECTOR SUPPLIED WITHOUT CONTACTS; SHOWN FOR ILLUSTRATION ONLY.

SUPSD BY 204542-2 & 91067-1	SAME AS -1 EXCEPT: 6 7 8	211539-3
	SAME AS -1 EXCEPT: 5 7	211539-2
211539-1 OBSOLETE	AS SHOWN 4 9	211539-1

THIS DRAWING IS A CONTROLLED DOCUMENT.		DIN 7-1-85	DESCRIPTION		PART NO
DIMENSIONS: INCHES		DRW ERDMAN	RECEPTACLE ASS'Y., AMPLIMITE, 62 POSN., SZ 4, SERIES 90, W/DUAL FLOAT BUSHINGS		
TOLERANCES UNLESS OTHERWISE SPECIFIED:		CHK R.GRZYBOWSKI	APVD		
0. PLC ± -		PRODUCT SPEC			
1. PLC ± -		APPLICATION SPEC			
2. PLC ± -		SIZE		A1	
3. PLC ± .005		CAGE CODE		00779	
4. PLC ± -		DRAWING NO		211539	
ANGLES ± 0°30'		WEIGHT			
MATERIAL SEE CALLOUT		FINISH SEE CALLOUT		CUSTOMER DRAWING	
		SCALE NTS		SHEET 1 of 1 REV F	