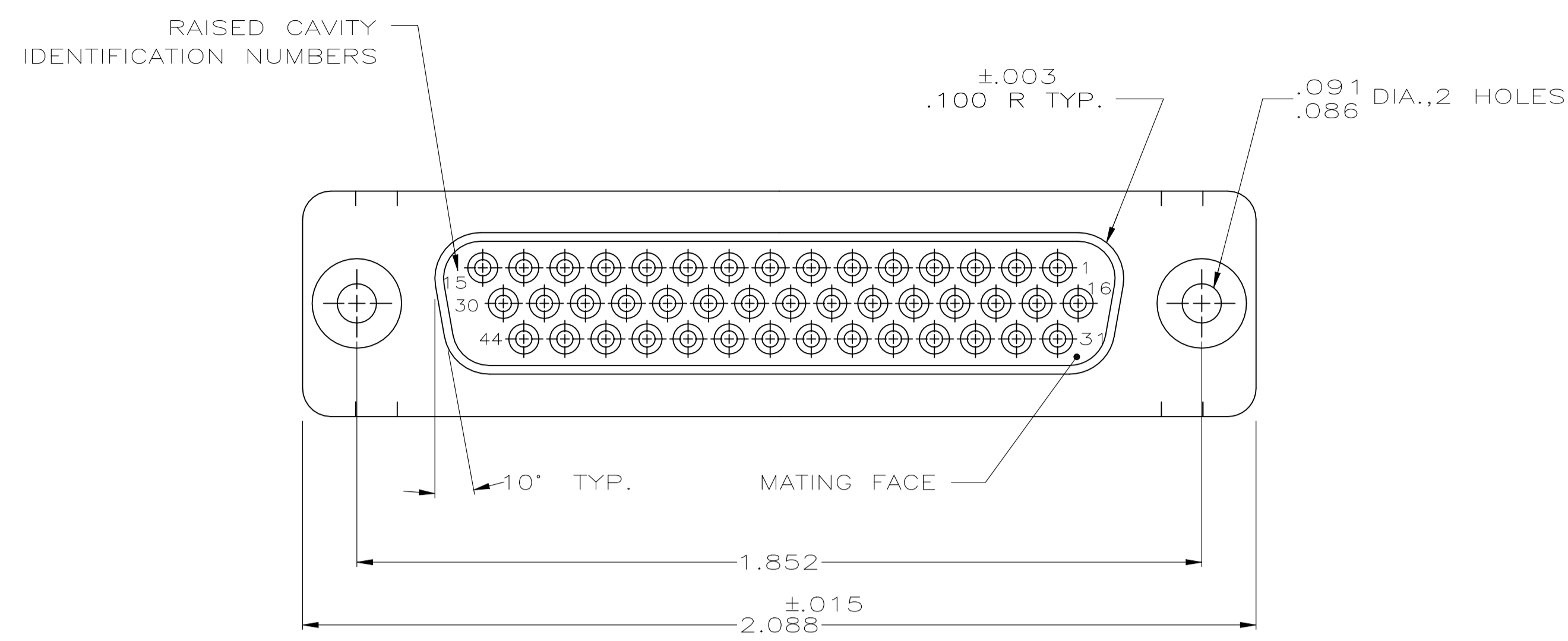
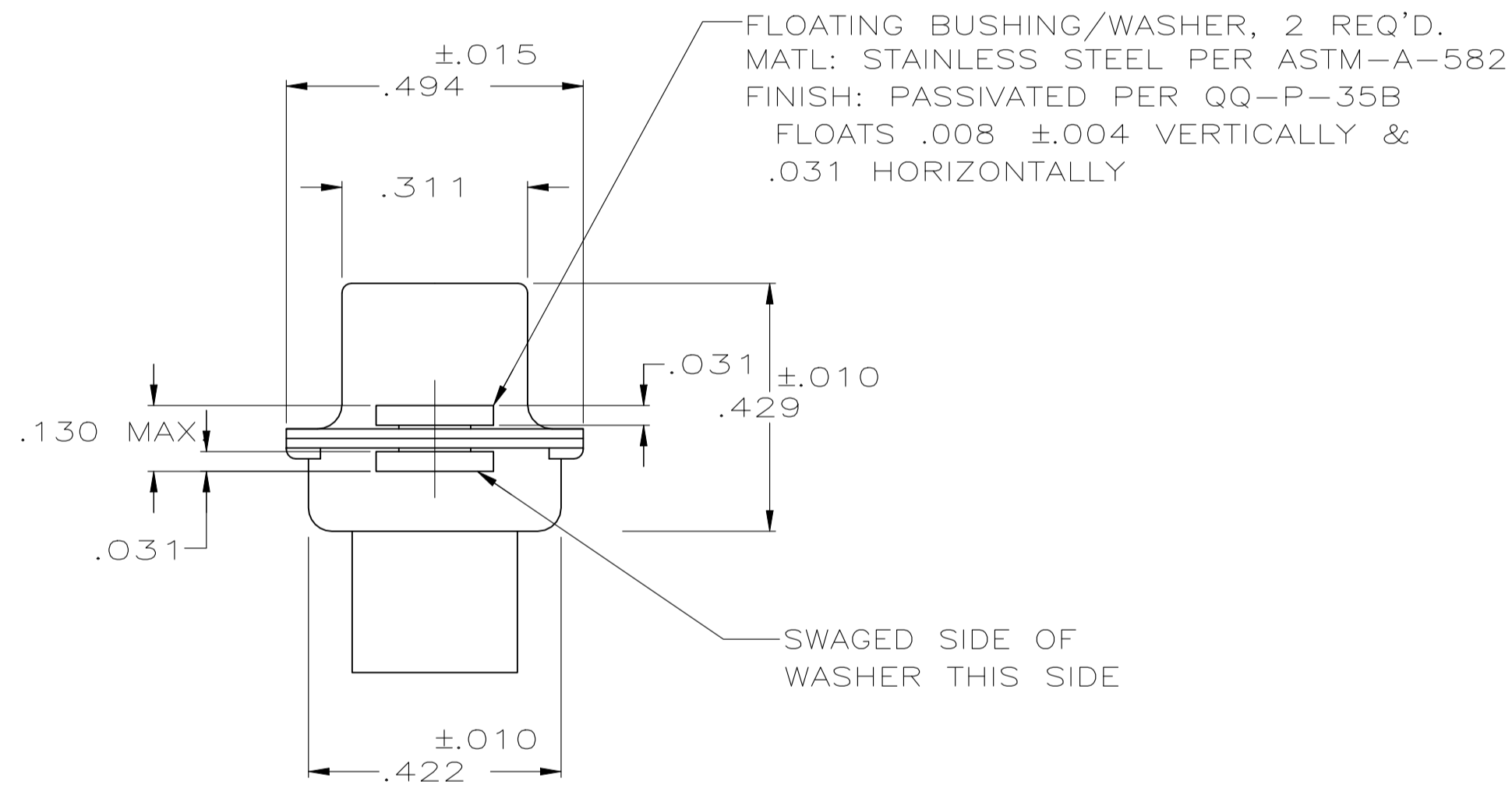
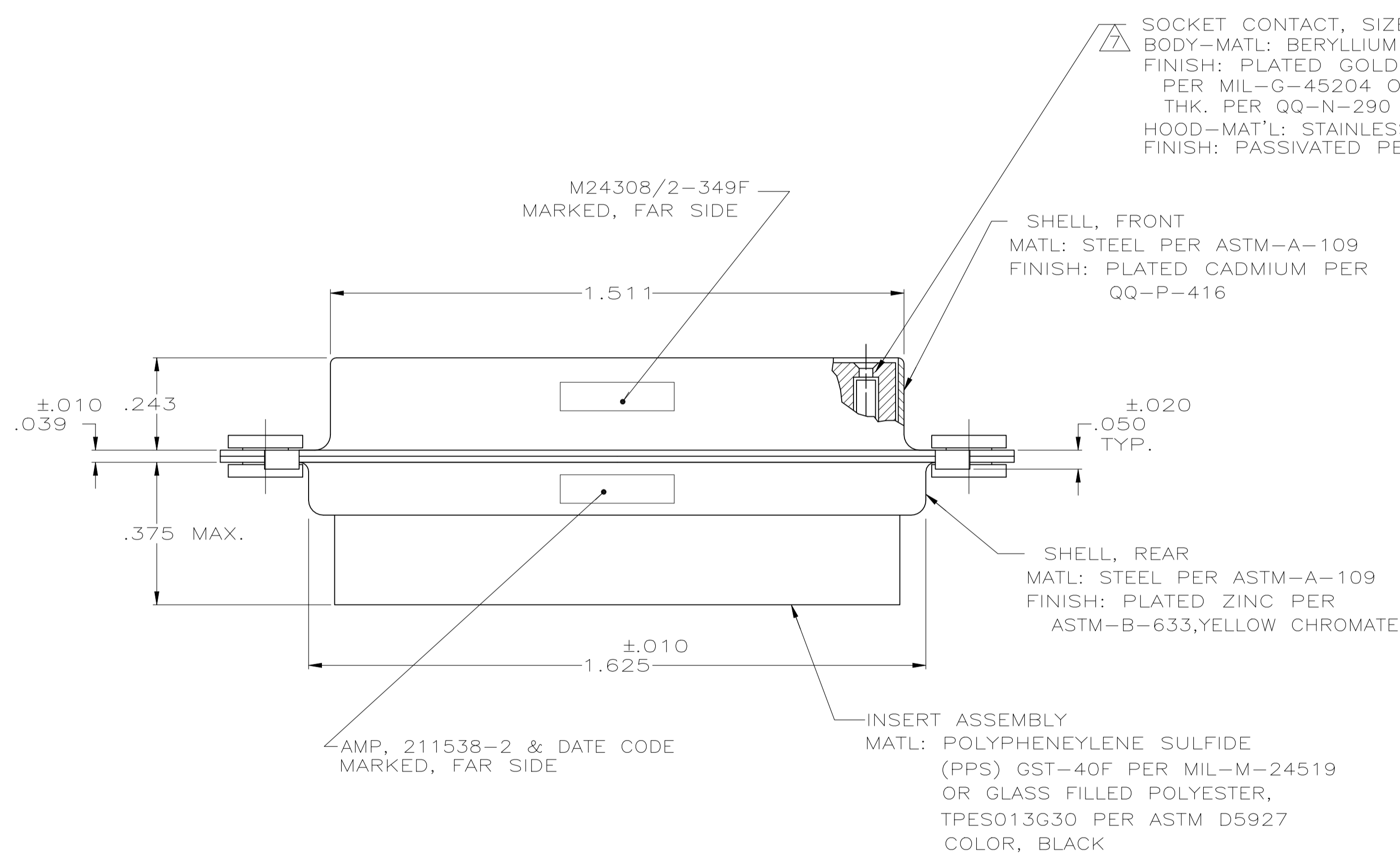
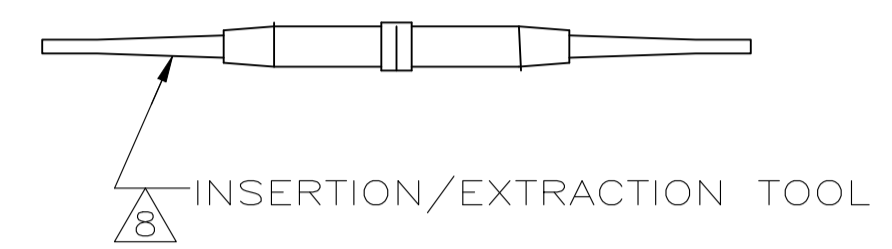


REVISIONS					
P	LTR	DESCRIPTION	DATE	DN	APVD
G		REVISED PER ECN-24-272055	21JUN2024	PE	DS



WARNING - THIS DOCUMENT CONTAINS TECHNOLOGY WHOSE EXPORT IS RESTRICTED BY THE EXPORT ADMINISTRATION REGULATIONS ("EAR") PURSUANT TO 15 C.F.R. PARTS 730-774. VIOLATIONS OF THE EAR ARE SUBJECT TO SEVERE CRIMINAL PENALTIES UNDER THE EXPORT CONTROL REFORM ACT, AS AMENDED (TITLE 50, U.S.C., SEC. 4801, ET SEQ.).



- THIS RECEPTACLE WILL MATE WITH ANY 44 POSN., SIZE 3 PLUG IN AMPLIMITE SERIES.
- MAXIMUM WIRE INSULATION TO BE USED WITH THIS RECEPTACLE IS .054 DIA.
- SST RETENTION CLIPS ARE INCLUDED IN INSERTS.

- 4 PACKAGE STAMPED M24308/2-489F & AMP P/N 211538-1
- 5 PACKAGE STAMPED M24308/2-349F & AMP P/N 211538-2
- 6 PACKAGE STAMPED M24308/2-360F & AMP P/N 211538-3
- 7 AMP P/N 204351-1; MIL P/N 57-354, INCLUDED IN KIT
- 8 AMP P/N 91067-1; MIL P/N M81969/1-04
- 9 CONNECTOR SUPPLIED WITHOUT CONTACTS; SHOWN FOR ILLUSTRATION ONLY.

SUPSD BY 204540-2 & 91067-1	SAME AS -1 EXCEPT: 6, 7, 8	211538-3
211538-2 OBSOLETE	SAME AS -1 EXCEPT: 5, 7	211538-2
	AS SHOWN	211538-1
	DESCRIPTION	PART NO

THIS DRAWING IS A CONTROLLED DOCUMENT.		DIN 6-18-85	D ERDMAN	
DIMENSIONS: INCHES		9-20-85	R GRZYBOWSKI	
TOLERANCES UNLESS OTHERWISE SPECIFIED:		9-20-85	G SACUNAS	
0. PLC	± -	NAME	RECEPTACLE ASS'Y., AMPLIMITE	
1. PLC	± -	PRODUCT SPEC	44 POSN., SZ 3, SERIES 90,	
2. PLC	± -	APPLICATION SPEC	W/DUAL FLOATING BUSHINGS	
3. PLC	± .005	SIZE	CAGE CODE	DRAWING NO
4. PLC	± -	WEIGHT	A1	00779
ANGLES	± 0°30'	RESTRICTED TO	C=211538	
MATERIAL	SEE CALLOUT	CUSTOMER DRAWING	SCALE	NTS
FINISH	SEE CALLOUT	SHEET	1	OF 1