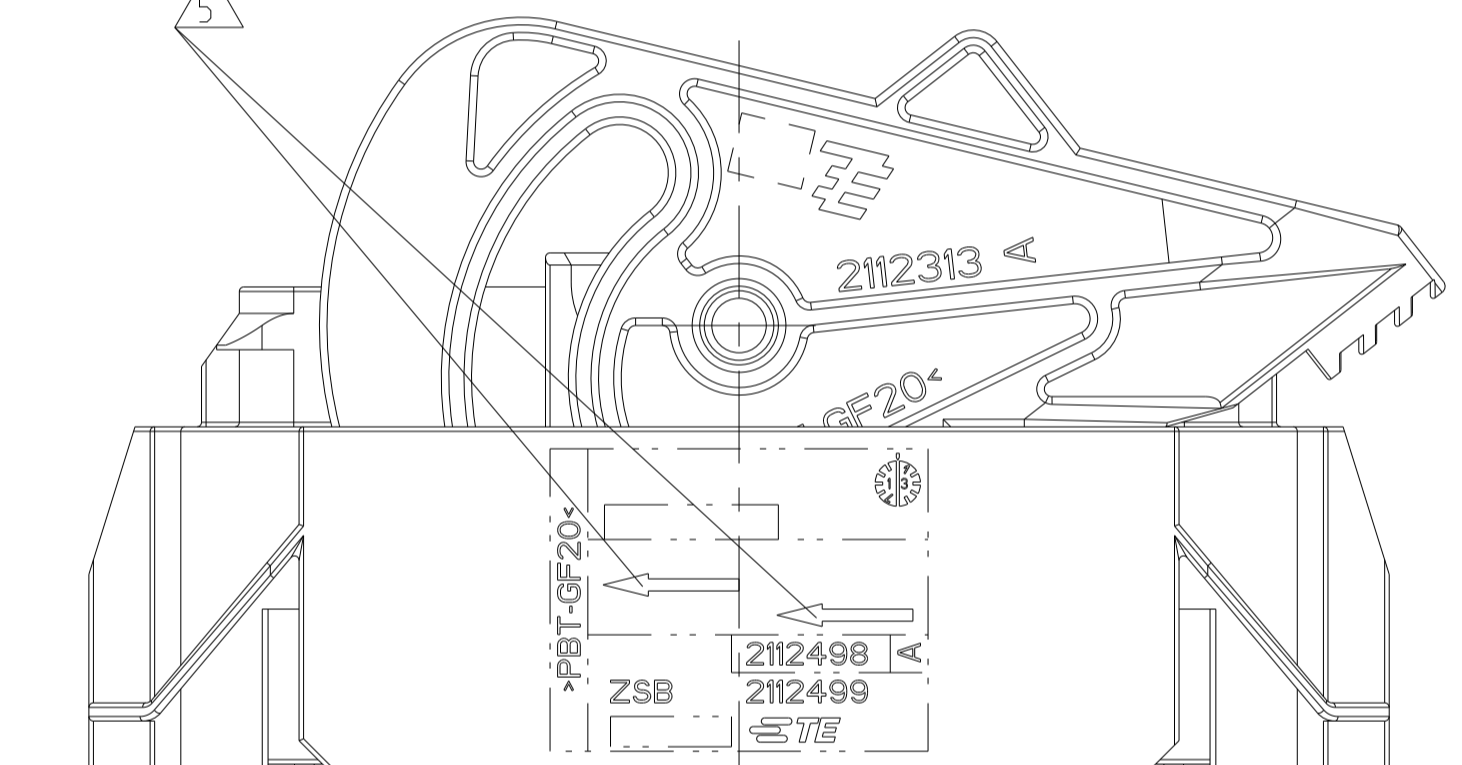
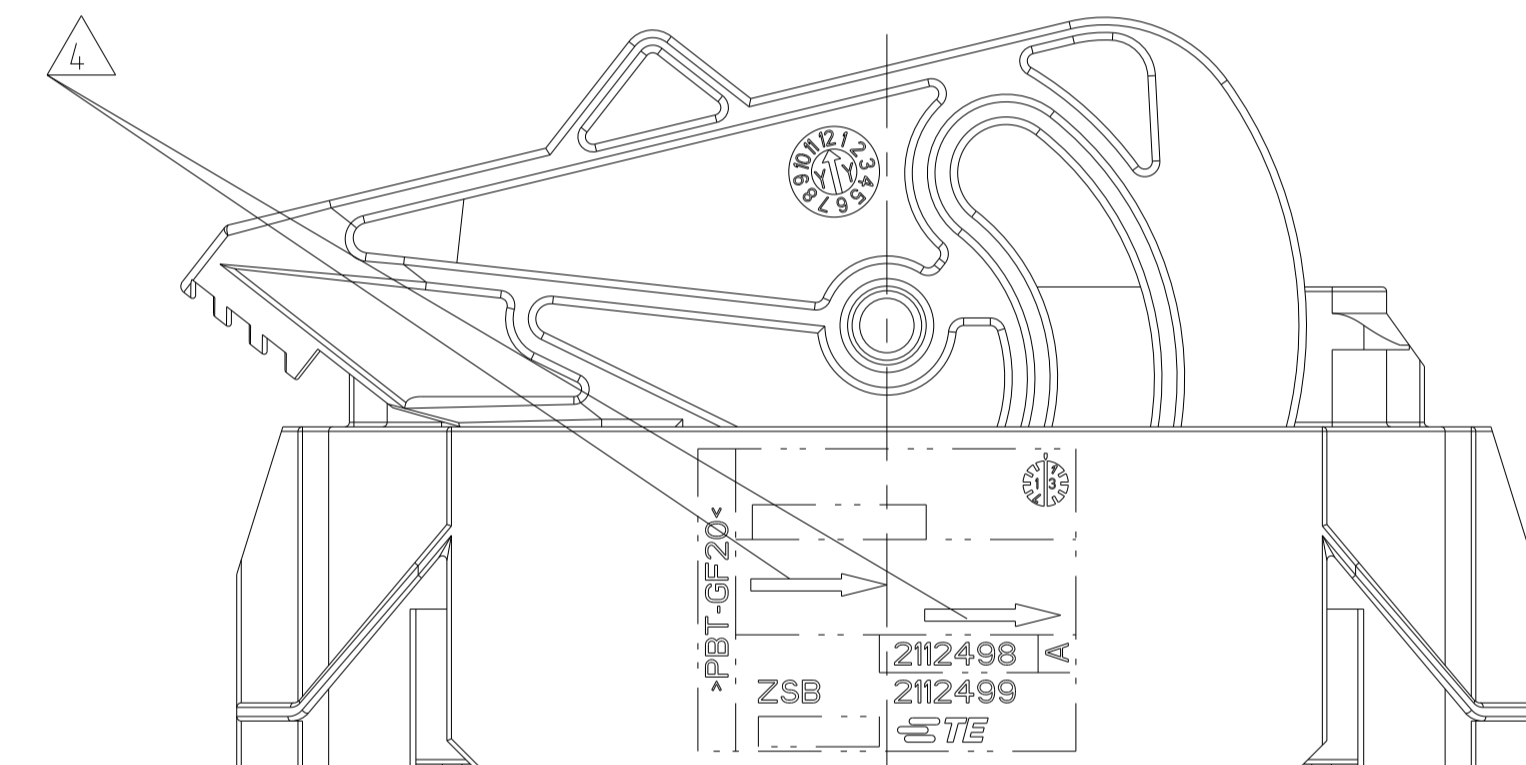
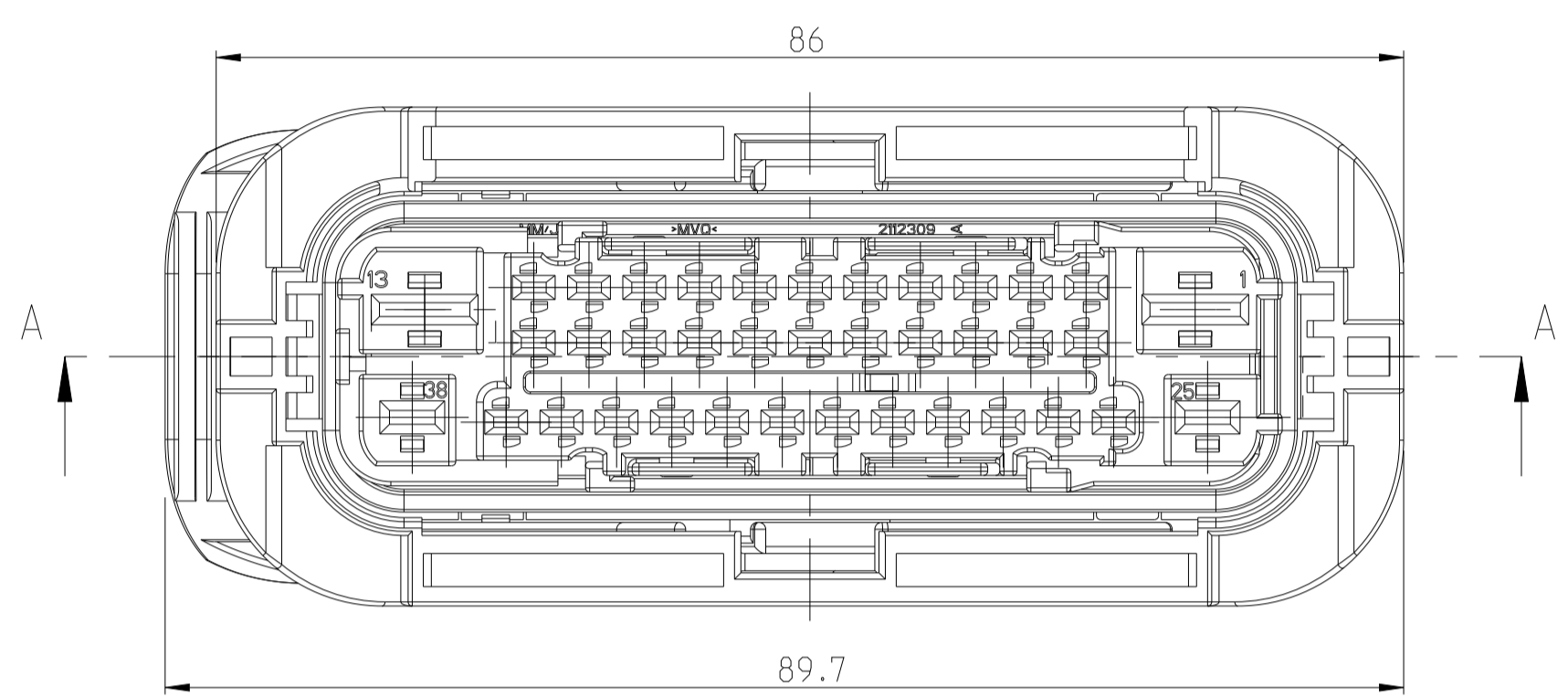
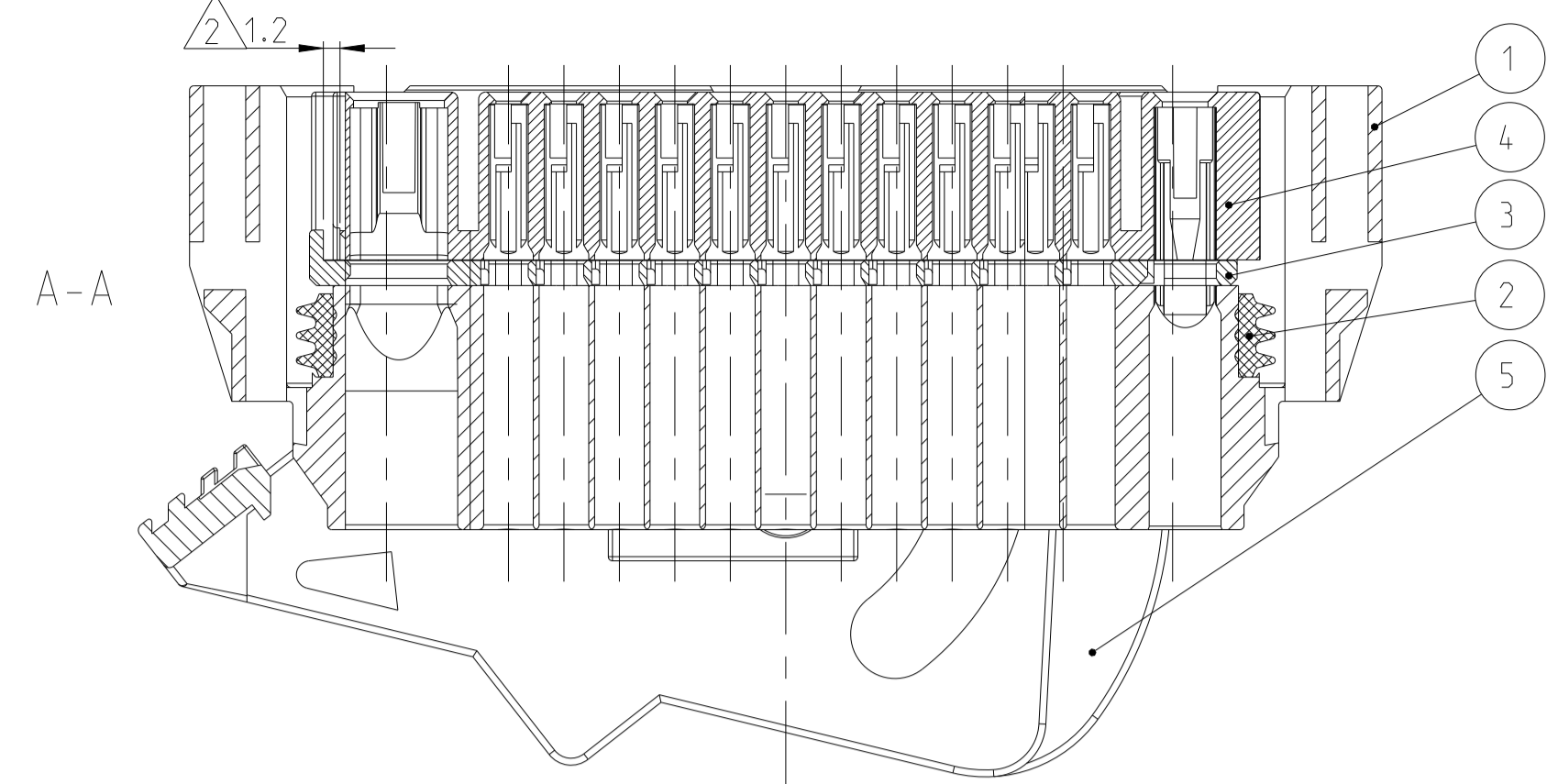
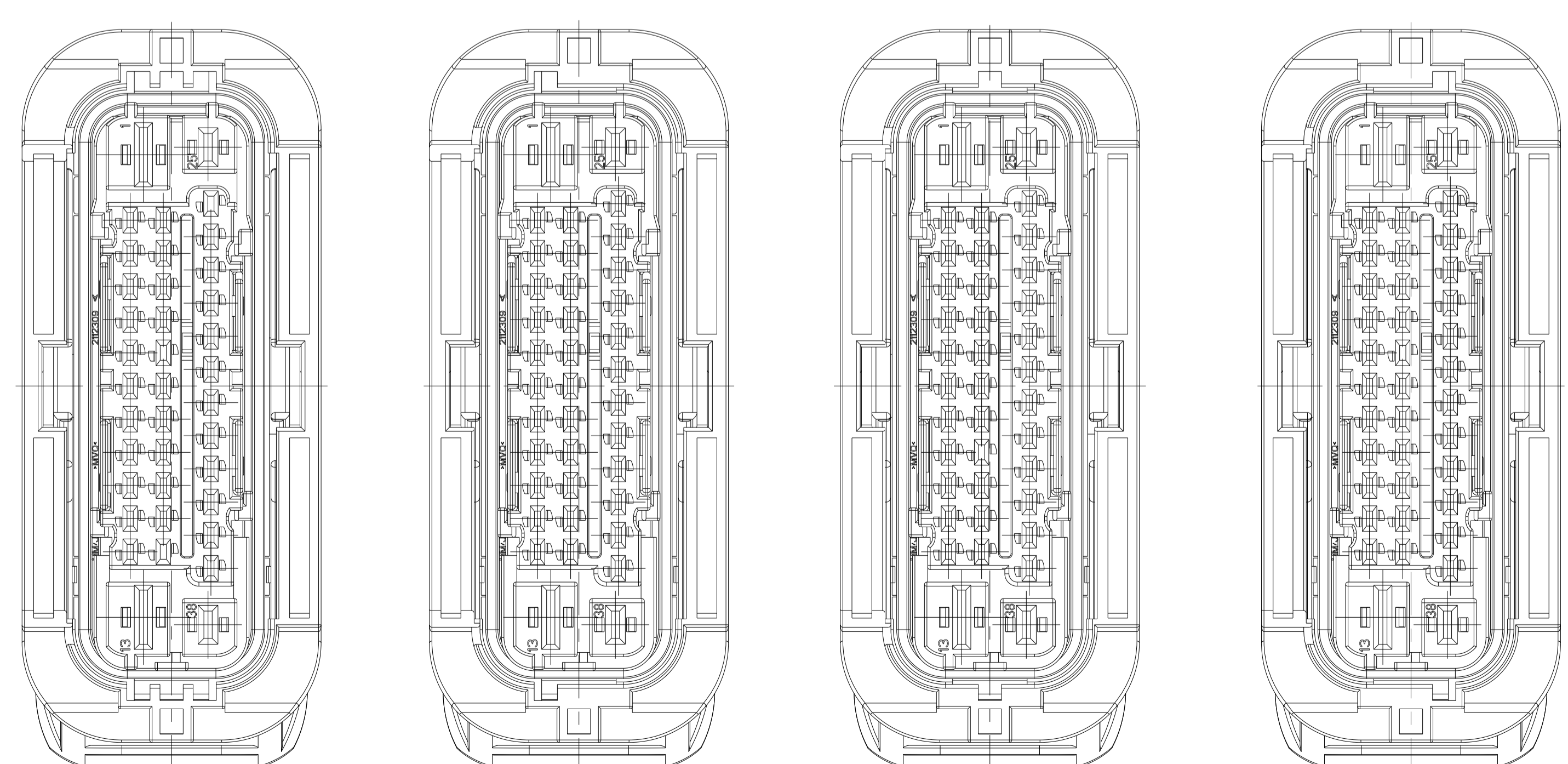


LOC	DIST	REV	DATE	DWN	APVD	
A1	-	A1	0-2112499-6	REL	16APR2012	MR Thiel
		A2	0-2112499-7	ADDED	02NOV2015	T.D R.W
		A3	0-2112499-7	CHANGED	25NOV2015	T.D R.W
		A4	VARIANTS CANCELLED		08APR2022	AW RW



KODIERUNG/CODING 0 KODIERUNG/CODING I KODIERUNG/CODING II KODIERUNG/CODING III



- 1 THE PART NO 2112499 ASSEMBLED FOR EXAMPLE WITH CONTACT 1241380-1/1241394-1/1241412-1 AND WIRE SEALING 964972-1/963294-1/1394511-1 WILL HAVE A SUITABLE MATING PART ACC. TO 114-94026
- 2 CONDITION AS SUPPLIED: ITEM 3 AND 5 IN PRE-LOCKED POSITION
- 3 PACKAGED IN LAYERS
- 4 ARROW TO THE RIGHT
- 5 ARROW TO THE LEFT TAKE CARE FOR LEVER POSITION

- 1 DAS TEIL 2112499 WIRD Z.B. MIT DEM KONTAKT 1241380-1/1241394-1/1241412-1 UND EINZELADERICHTUNG 964972-1/963294-1/1394511-1 BESTÜCKT. MIT DEM TEIL 2112501 ABGEDECKT AUF EINE SCHNITTSTELLE NACH 114-94026 GESTECKT
- 2 LIEFERZUSTAND: POS. 3 UND 5 IN VORRSTELLUNG
- 3 VERPACKT IN LAGEN
- 4 PFEILE NACH RECHTS AUSGERICHTET
- 5 PFEILE NACH LINKS AUSGERICHTET HEBELAUSRICHTUNG BEACHTEN

-1 AS SHOWN wie gezeichnet

LOC	DIST	REV	DATE	DWN	APVD	MATERIAL	COLOUR	DESCRIPTION	QTY	ITEM NO
A4	I	14-24	I-2112499-5	A	PBT-GF20	GREY/RAL 7001	LEVER, 38 POSN		I	5
					PBT-GF20	BLACK/RAL 9011	38POS. MIXED. REC HSG		I	4
					PBT-GF20	VIOLET/RAL 4006	RETAINER, 38 POSN		I	3
					MWO	GREEN/RAL 6010	RADIAL SEAL, 38 POSN		I	2
					PBT-GF20	BLACK/RAL 9011	38POS. MIXED. REC HSG, COVER, SEALED		I	1
					PBT-GF20	GREY/RAL 7001	LEVER, 38 POSN		I	5
					PBT-GF20	BLUE/RAL 5010	38POS. MIXED. REC HSG		I	4
					PBT-GF20	VIOLET/RAL 4006	RETAINER, 38 POSN		I	3
					MWO	GREEN/RAL 6010	RADIAL SEAL, 38 POSN		I	2
					PBT-GF20	BLACK/RAL 9011	38POS. MIXED. REC HSG, COVER, SEALED		I	1
					PBT-GF20	GREY/RAL 7001	LEVER, 38 POSN		I	5
					A4	III		I-2112499-4	A	PBT-GF20
PBT-GF20	VIOLET/RAL 4006	RETAINER, 38 POSN		I						3
MWO	GREEN/RAL 6010	RADIAL SEAL, 38 POSN		I						2
PBT-GF20	BLACK/RAL 9011	38POS. MIXED. REC HSG, COVER, SEALED		I						1
PBT-GF20	GREY/RAL 7001	LEVER, 38 POSN		I						5
PBT-GF20	BROWN/RAL 8003	38POS. MIXED. REC HSG		I						4
PBT-GF20	VIOLET/RAL 4006	RETAINER, 38 POSN		I						3
MWO	GREEN/RAL 6010	RADIAL SEAL, 38 POSN		I						2
PBT-GF20	BLACK/RAL 9011	38POS. MIXED. REC HSG, COVER, SEALED		I						1
PBT-GF20	GREY/RAL 7001	LEVER, 38 POSN		I						5
PBT-GF20	BLACK/RAL 9011	38POS. MIXED. REC HSG		I						4
A4	I	8-12 17 21 23 24 29 32	I-2112499-2	A						PBT-GF20
					MWO	GREEN/RAL 6010	RADIAL SEAL, 38 POSN		I	2
					PBT-GF20	BLACK/RAL 9011	38POS. MIXED. REC HSG, COVER, SEALED		I	1
					PBT-GF20	GREY/RAL 7001	LEVER, 38 POSN		I	5
					PBT-GF20	BLACK/RAL 9011	38POS. MIXED. REC HSG		I	4
					PBT-GF20	VIOLET/RAL 4006	RETAINER, 38 POSN		I	3
					MWO	GREEN/RAL 6010	RADIAL SEAL, 38 POSN		I	2
					PBT-GF20	BLACK/RAL 9011	38POS. MIXED. REC HSG, COVER, SEALED		I	1
					PBT-GF20	GREY/RAL 7001	LEVER, 38 POSN		I	5
					PBT-GF20	BLACK/RAL 9011	38POS. MIXED. REC HSG		I	4
					PBT-GF20	VIOLET/RAL 4006	RETAINER, 38 POSN		I	3
					A4	0		I-2112499-1	A	PBT-GF20
MWO	GREEN/RAL 6010	RADIAL SEAL, 38 POSN		I						2
PBT-GF20	BLACK/RAL 9011	38POS. MIXED. REC HSG, COVER, SEALED		I						1
PBT-GF20	BLACK/RAL 9011	LEVER, 38 POSN		I						5
PBT-GF20	BLACK/RAL 9011	38POS. MIXED. REC HSG		I						4
PBT-GF20	VIOLET/RAL 4006	RETAINER, 38 POSN		I						3
MWO	GREEN/RAL 6010	RADIAL SEAL, 38 POSN		I						2
PBT-GF20	BLACK/RAL 9011	38POS. MIXED. REC HSG, COVER, SEALED		I						1
PBT-GF20	BLACK/RAL 9011	LEVER, 38 POSN		I						5
PBT-GF20	BLACK/RAL 9011	38POS. MIXED. REC HSG		I						4
PBT-GF20	VIOLET/RAL 4006	RETAINER, 38 POSN		I						3
A4	I	9-12 21-24 34-37	0-2112499-7	A						PBT-GF20
					MWO	GREEN/RAL 6010	RADIAL SEAL, 38 POSN		I	2
					PBT-GF20	BLACK/RAL 9011	38POS. MIXED. REC HSG, COVER, SEALED		I	1
					PBT-GF20	BLACK/RAL 9011	LEVER, 38 POSN		I	5
					PBT-GF20	BLACK/RAL 9011	38POS. MIXED. REC HSG		I	4
					PBT-GF20	VIOLET/RAL 4006	RETAINER, 38 POSN		I	3
					MWO	GREEN/RAL 6010	RADIAL SEAL, 38 POSN		I	2
					PBT-GF20	BLACK/RAL 9011	38POS. MIXED. REC HSG, COVER, SEALED		I	1
					PBT-GF20	BLACK/RAL 9011	LEVER, 38 POSN		I	5
					PBT-GF20	BLACK/RAL 9011	38POS. MIXED. REC HSG		I	4
					PBT-GF20	VIOLET/RAL 4006	RETAINER, 38 POSN		I	3
					A4	I	14-24	0-2112499-5	A	PBT-GF20
PBT-GF20	VIOLET/RAL 4006	RETAINER, 38 POSN		I						3
MWO	GREEN/RAL 6010	RADIAL SEAL, 38 POSN		I						2
PBT-GF20	BLACK/RAL 9011	38POS. MIXED. REC HSG, COVER, SEALED		I						1
PBT-GF20	BLACK/RAL 9011	LEVER, 38 POSN		I						5
PBT-GF20	BLUE/RAL 5010	38POS. MIXED. REC HSG		I						4
PBT-GF20	VIOLET/RAL 4006	RETAINER, 38 POSN		I						3
MWO	GREEN/RAL 6010	RADIAL SEAL, 38 POSN		I						2
PBT-GF20	BLACK/RAL 9011	38POS. MIXED. REC HSG, COVER, SEALED		I						1
PBT-GF20	BLACK/RAL 9011	LEVER, 38 POSN		I						5
PBT-GF20	BLACK/RAL 9011	38POS. MIXED. REC HSG		I						4
PBT-GF20	VIOLET/RAL 4006	RETAINER, 38 POSN		I						3
A4	III		0-2112499-4	A	PBT-GF20	BLACK/RAL 9011	LEVER, 38 POSN		I	5
					PBT-GF20	BLUE/RAL 5010	38POS. MIXED. REC HSG		I	4
					PBT-GF20	VIOLET/RAL 4006	RETAINER, 38 POSN		I	3
					MWO	GREEN/RAL 6010	RADIAL SEAL, 38 POSN		I	2
					PBT-GF20	BLACK/RAL 9011	38POS. MIXED. REC HSG, COVER, SEALED		I	1
					PBT-GF20	BLACK/RAL 9011	LEVER, 38 POSN		I	5
					PBT-GF20	BLACK/RAL 9011	38POS. MIXED. REC HSG		I	4
					PBT-GF20	VIOLET/RAL 4006	RETAINER, 38 POSN		I	3
					MWO	GREEN/RAL 6010	RADIAL SEAL, 38 POSN		I	2
					PBT-GF20	BLACK/RAL 9011	38POS. MIXED. REC HSG, COVER, SEALED		I	1
					PBT-GF20	BLACK/RAL 9011	LEVER, 38 POSN		I	5
					PBT-GF20	BLACK/RAL 9011	38POS. MIXED. REC HSG		I	4
A4	I	8-12 17 21 23 24 29 32	0-2112499-2	A	PBT-GF20	VIOLET/RAL 4006	RETAINER, 38 POSN		I	3
					MWO	GREEN/RAL 6010	RADIAL SEAL, 38 POSN		I	2
					PBT-GF20	BLACK/RAL 9011	38POS. MIXED. REC HSG, COVER, SEALED		I	1
					PBT-GF20	BLACK/RAL 9011	LEVER, 38 POSN		I	5
					PBT-GF20	BLACK/RAL 9011	38POS. MIXED. REC HSG		I	4
					PBT-GF20	VIOLET/RAL 4006	RETAINER, 38 POSN		I	3
					MWO	GREEN/RAL 6010	RADIAL SEAL, 38 POSN		I	2
					PBT-GF20	BLACK/RAL 9011	38POS. MIXED. REC HSG, COVER, SEALED		I	1
					PBT-GF20	GREY/RAL 7001	38POS. MIXED. REC HSG		I	4
					PBT-GF20	BLACK/RAL 9011	38POS. MIXED. REC HSG		I	4
					PBT-GF20	VIOLET/RAL 4006	RETAINER, 38 POSN		I	3
					PBT-GF20	VIOLET/RAL 4006	RETAINER, 38 POSN		I	3
A4	0		0-2112499-1	A	PBT-GF20	GREY/RAL 7001	38POS. MIXED. REC HSG		I	4
					PBT-GF20	VIOLET/RAL 4006	RETAINER, 38 POSN		I	3
					MWO	GREEN/RAL 6010	RADIAL SEAL, 38 POSN		I	2
					PBT-GF20	BLACK/RAL 9011	38POS. MIXED. REC HSG, COVER, SEALED		I	1
					PBT-GF20	BLACK/RAL 9011	LEVER, 38 POSN		I	5
					PBT-GF20	BLACK/RAL 9011	38POS. MIXED. REC HSG		I	4
					PBT-GF20	VIOLET/RAL 4006	RETAINER, 38 POSN		I	3
					MWO	GREEN/RAL 6010	RADIAL SEAL, 38 POSN		I	2
					PBT-GF20	BLACK/RAL 9011	38POS. MIXED. REC HSG, COVER, SEALED		I	1
					PBT-GF20	BLACK/RAL 9011	LEVER, 38 POSN		I	5
					PBT-GF20	BLACK/RAL 9011	38POS. MIXED. REC HSG		I	4
					PBT-GF20	VIOLET/RAL 4006	RETAINER, 38 POSN		I	3

THIS DRAWING IS A CONTROLLED DOCUMENT. DIMENSIONS: DIMENSIONS: mm. TOLERANCES: UNLESS OTHERWISE SPECIFIED: ALL DIMENSIONS. MATERIAL: S.TAB. WEIGHT: -. CUSTOMER DRAWING. DATE: 06NOV2009. DWG: F. Thiel. CHK: F. Thiel. APVD: -. PRODUCT SPEC: -. APPLICATION SPEC: -. SCALE: 2:1. SHEET: 1 OF 1. REV: A4.

STE TE Connectivity

NAME: 38POS. MIXED. REC HSG. ASSEMBLY. SEALED. 38POLIG. GEMISCHT. FL.KONT.GEH.. KOMPLETT. DICHT.

SIZE: A1. CASE CODE: 00779. DRAWING NO: 2112499. SHEET: 1 OF 1. REV: A4.