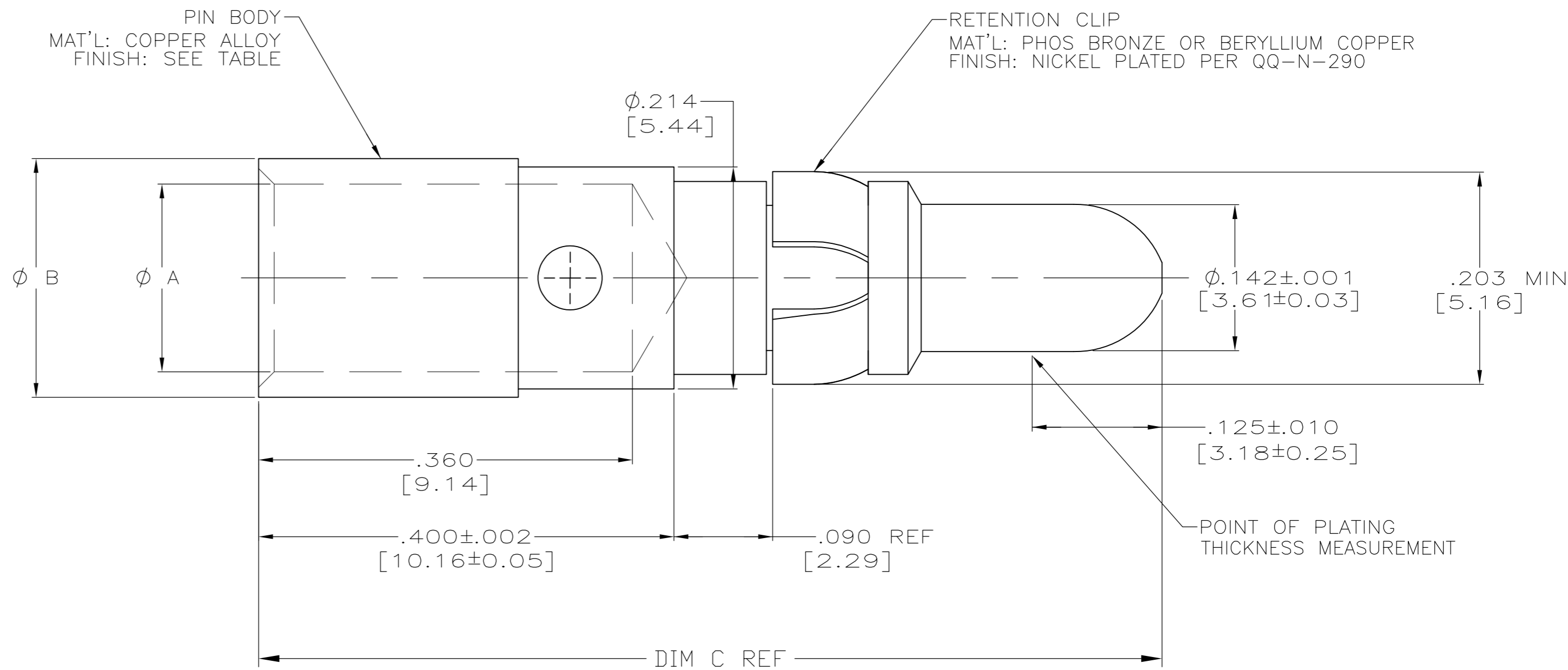


THIS DRAWING IS UNPUBLISHED. RELEASED FOR PUBLICATION  
 © COPYRIGHT - By - ALL RIGHTS RESERVED.

LOC		DIST		REVISIONS			
P	LTR	DESCRIPTION		DATE	DWN	APVD	
	S	REV PER ECO 14-014240		9-30-14	CT	CD	

1. THIS PART CONFORMS TO REQUIREMENTS FOR DANIELS CRIMP TOOL NO. M300-BT, WITH DANIELS POSITIONER PART NO. SP689, STRIP LENGTH .375, #8 AWG SETTING 7, #10 AWG SETTING 3.
2. MATES WITH 211161-1 IN AMPLIMITE CONNECTOR ASSEMBLIES ONLY.
3. FINISH: PLATED GOLD .000050 [0.00127] MIN THK PER ASTM-B-488 OVER NICKEL .000050 [0.00127] MIN THK PER QQ-N-290.
4. FINISH: PLATED GOLD .000030 [0.00076] MIN THK PER ASTM-B-488 OVER NICKEL .000050 [0.00127] MIN THK PER QQ-N-290.
5. NOT FOR GENERAL DISTRIBUTION; USAGE RESTRICTED TO SPECIFIC CUSTOMER CONFIGURATION.
6. RESTRICTED PART NUMBER.



REMARKS	FINISH	DIM C	DIM B	DIM A	WIRE SIZE	PART NUMBER
PRELIMINARY- NOT RELEASED FOR PRODUCTION	3	.948 [24.08]	.230 [5.84]	.181 [4.60]	#8 AWG	211159-5
PRELIMINARY- NOT RELEASED FOR PRODUCTION	4	.870 [22.10]	.185 [4.70]	.136 [3.45]	#10 AWG	211159-4
PRELIMINARY- NOT RELEASED FOR PRODUCTION	4	.870 [22.10]	.230 [5.84]	.181 [4.60]	#8 AWG	211159-3
	3	.870 [22.10]	.185 [4.70]	.136 [3.45]	#10 AWG	211159-2
	3	.870 [22.10]	.230 [5.84]	.181 [4.60]	#8 AWG	211159-1

THIS DRAWING IS A CONTROLLED DOCUMENT.

DWN	C.C.THOMAS	11/10/00
CHK	D.MILLER	11/10/00
APVD	D.MILLER	11/10/00
PRODUCT SPEC	108-10045	
APPLICATION SPEC	114-10014	
WEIGHT	-	
CUSTOMER DRAWING		

**STE** TE Connectivity

ASSEMBLY, PIN CONTACT  
POWER VIII, #8 & #10 AWG

SIZE	A2	CAGE CODE	00779	DRAWING NO	C-211159	RESTRICTED TO	-
SCALE	10:1	SHEET	1 of 1	REV	S		