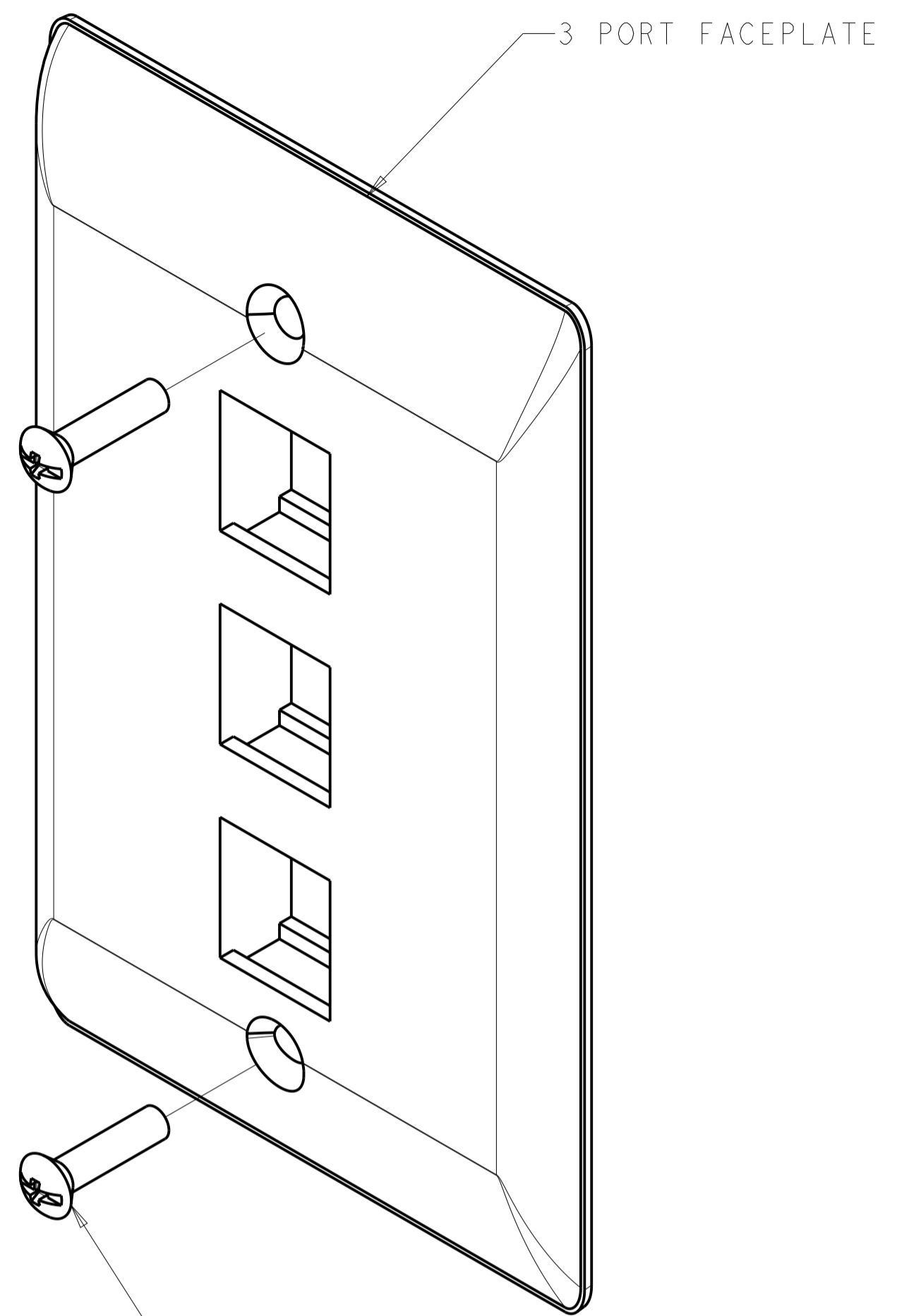
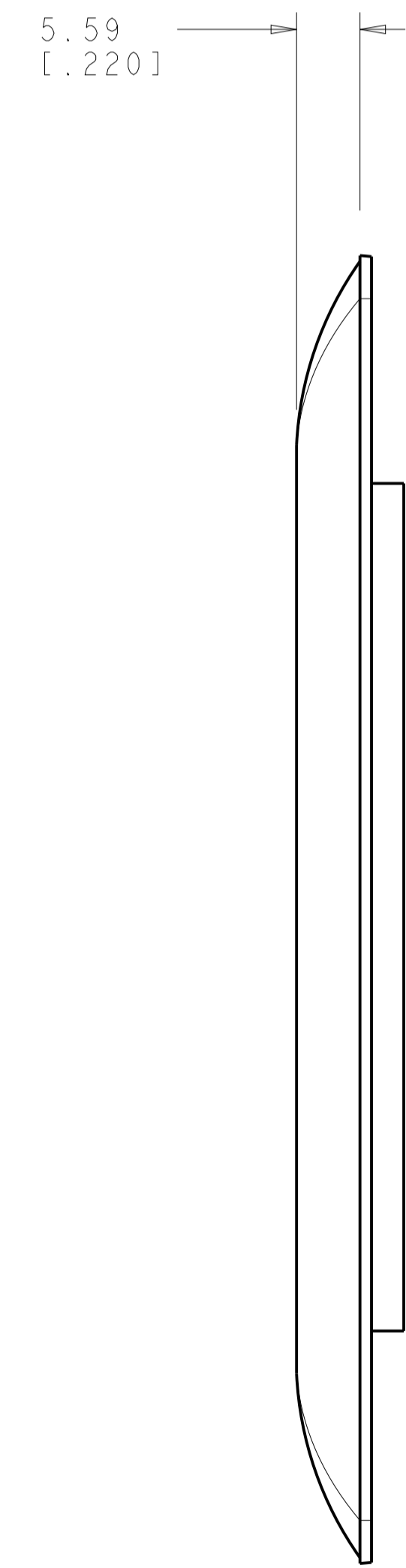
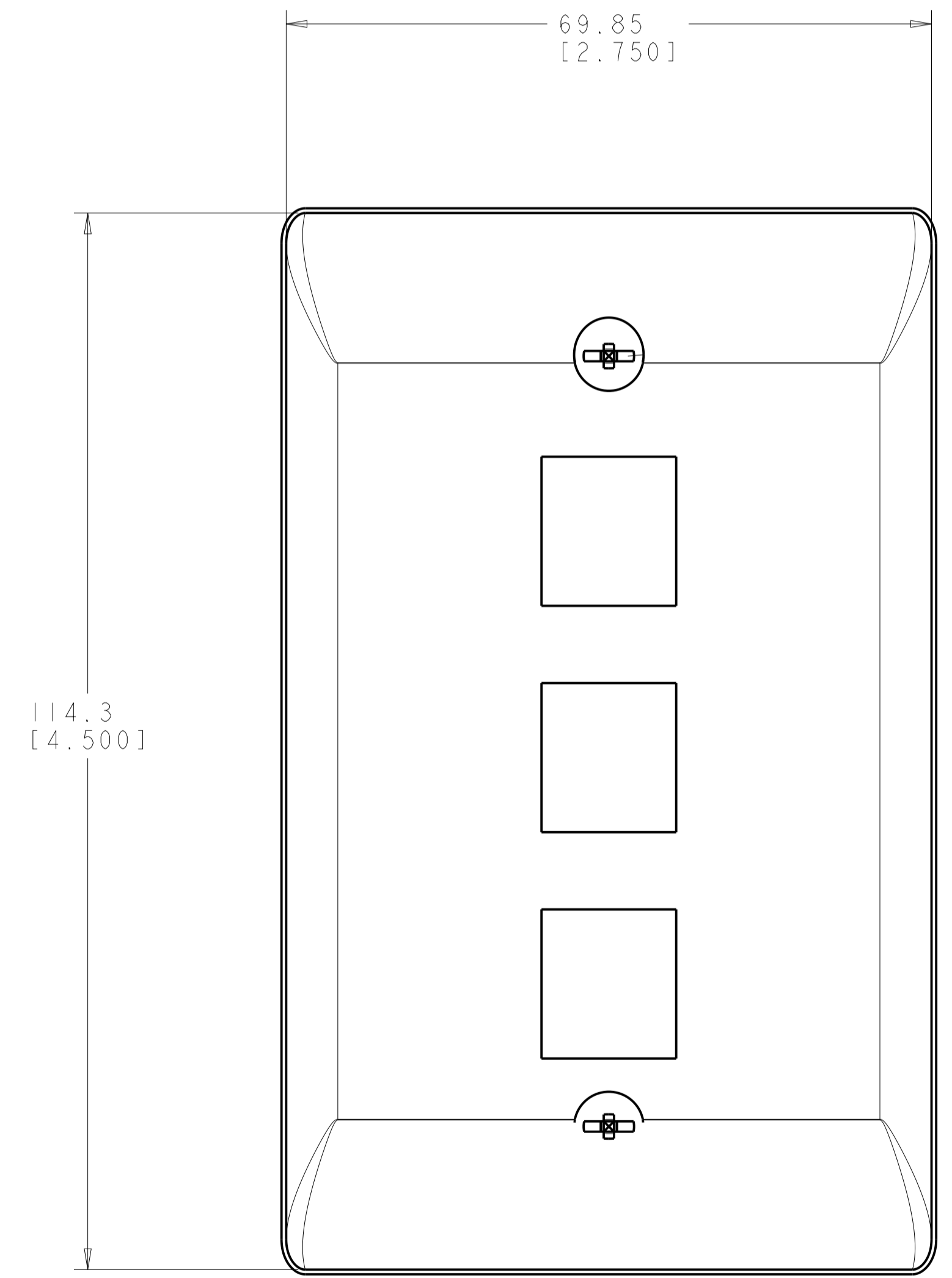


REVISIONS				
REV	LTN	DESCRIPTION	DATE	APP'D
A		RLSD; ECO-10-002954	09FEB2010	GG RA
B		REV; MCO-40026185MCO	09 NOV2015	HG LS
C		REV PER BNS_CD_BRAND	01FEB2017	GG DC



6-32X.88 OVAL HEAD SCREW
 QUANTITY 2



- ⚠ DIMENSIONS ARE NOMINAL UNLESS OTHERWISE SPECIFIED.
- ⚠ MATERIAL:
 FACEPLATE - POLYCARBONATE MOLDING COMPOUND.
 SEE TABLE FOR COLORS.
 SCREWS - ZINC PLATED CARBON STEEL.
- 3. THIS KIT SHIPPED NOT ASSEMBLED.

ALPINE WHITE	1-2111023-3
ELECTRIC IVORY	1-2111023-1
NEMA GRAY	2111023-4
BLACK	2111023-2
LIGHT ALMOND	2111023-1
COLOR	PART NUMBER

THIS DRAWING IS A CONTROLLED DOCUMENT.		DWN G. GARRETT 31MAR2009	COMMSCOPE, INC.	
		CHK R. ASHBY 31MAR2009		
DIMENSIONS: MM [INCHES]		APVD R. ASHBY 31MAR2009	NAME KIT, FACEPLATE, RESIDENTIAL, SINGLE GANG, 3 PORT	
TOLERANCES UNLESS OTHERWISE SPECIFIED:		PRODUCT SPEC	SIZE CAGE CODE DRAWING NO RESTRICTED TO	
0 PLC ±		APPLICATION SPEC	A1 C=2111023	
1 PLC ±		WEIGHT	SCALE 2:1 SHEET 1 OF 1 REV C	
2 PLC ±		Customer Drawing		
3 PLC ±				
4 PLC ±				
ANGLES ±				
MATERIAL				
FINISH				